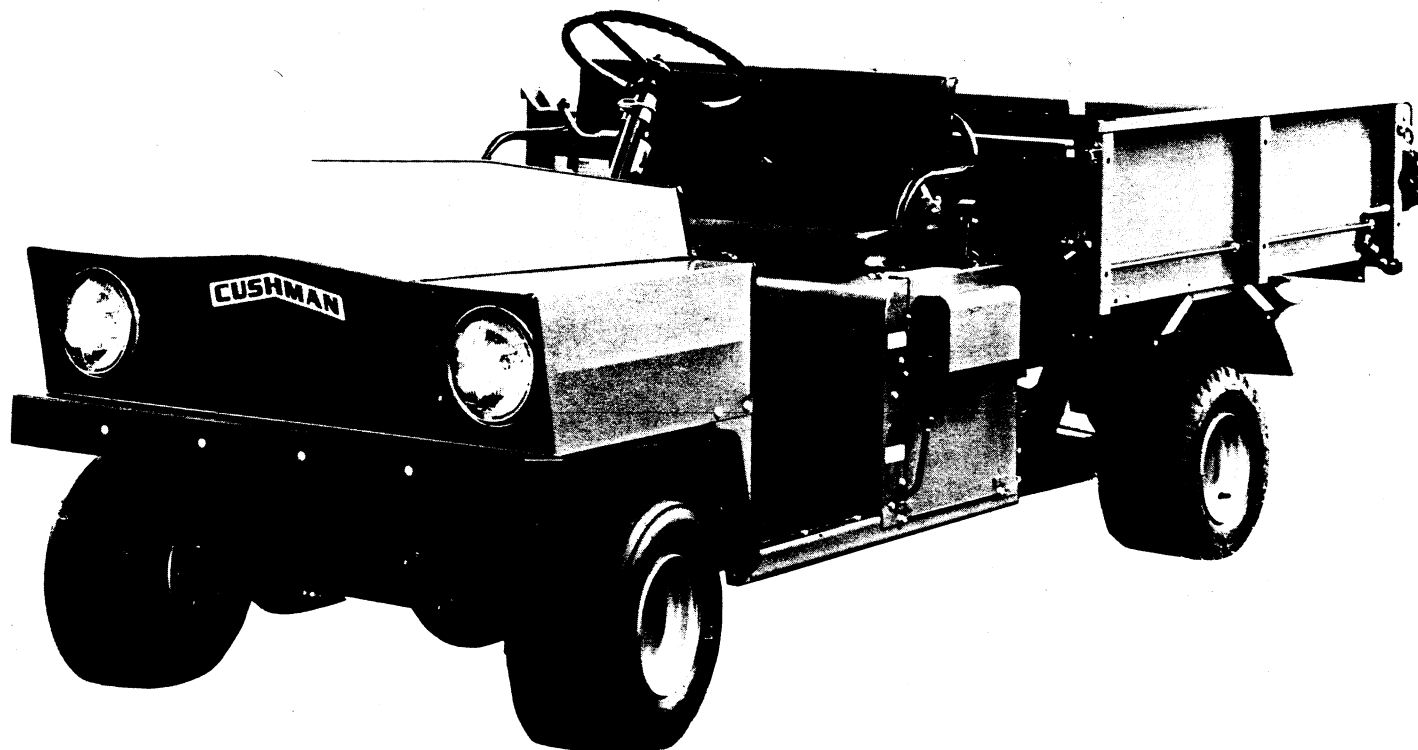


CUSHMAN®

parts manual



HAULSTER

and

TURF TRUCKSTER

MODELS

898440	898441	898442	898443
898540	898541	898542	898544

MODEL DESIGNATION

The Model number is given on the vehicle nameplate located on the dash panel or on the left side of the main frame ahead of the rear wheel.

Parts in this book fit all of the following models:

898440	STATIONARY PICK-UP—10.25:1 Rear Axle, 5.00 x 8 tires.
898441	CHASSIS—10.25:1 Rear Axle, 5.00 x 8 tires.
898442	MANUAL DUMP—10.25:1 Rear Axle, 5.00 x 8 tires.
898443	1/2-TON FLATBED—10.25:1 Rear Axle, 5.00 x 8 tires.
898540	STATIONARY PICK-UP—8.2:1 Rear Axle, 8.50 x 8 tires, aux. trans.
898541	CHASSIS—8.2:1 Rear Axle, 8.50 x 8 tires, aux. trans.
898542	MANUAL DUMP—8.2:1 Rear Axle, 8.50 x 8 tires, aux. trans.
898544	STATIONARY PICK-UP—10.25:1 Rear Axle, 8.50 x 8 tires.

REPLACEMENT ENGINE

When ordering replacement engines, refer to the engine model number shown on the engine nameplate attached to the fan housing. Replacement engines include the starter, air cleaner, exhaust manifolds, fan housings and fuel pump.

883406 Twin cylinder, 18 H.P., external alternator not included, four weight variable governor, standard valves, air reversing shrouds.

REPLACEMENT SHORT BLOCK

Short blocks include crankcase, cylinders, pistons, rings, connecting rods, crankshafts, camshafts, valves and oil pump.

ENGINE MODEL

883406

SHORT BLOCK

160369



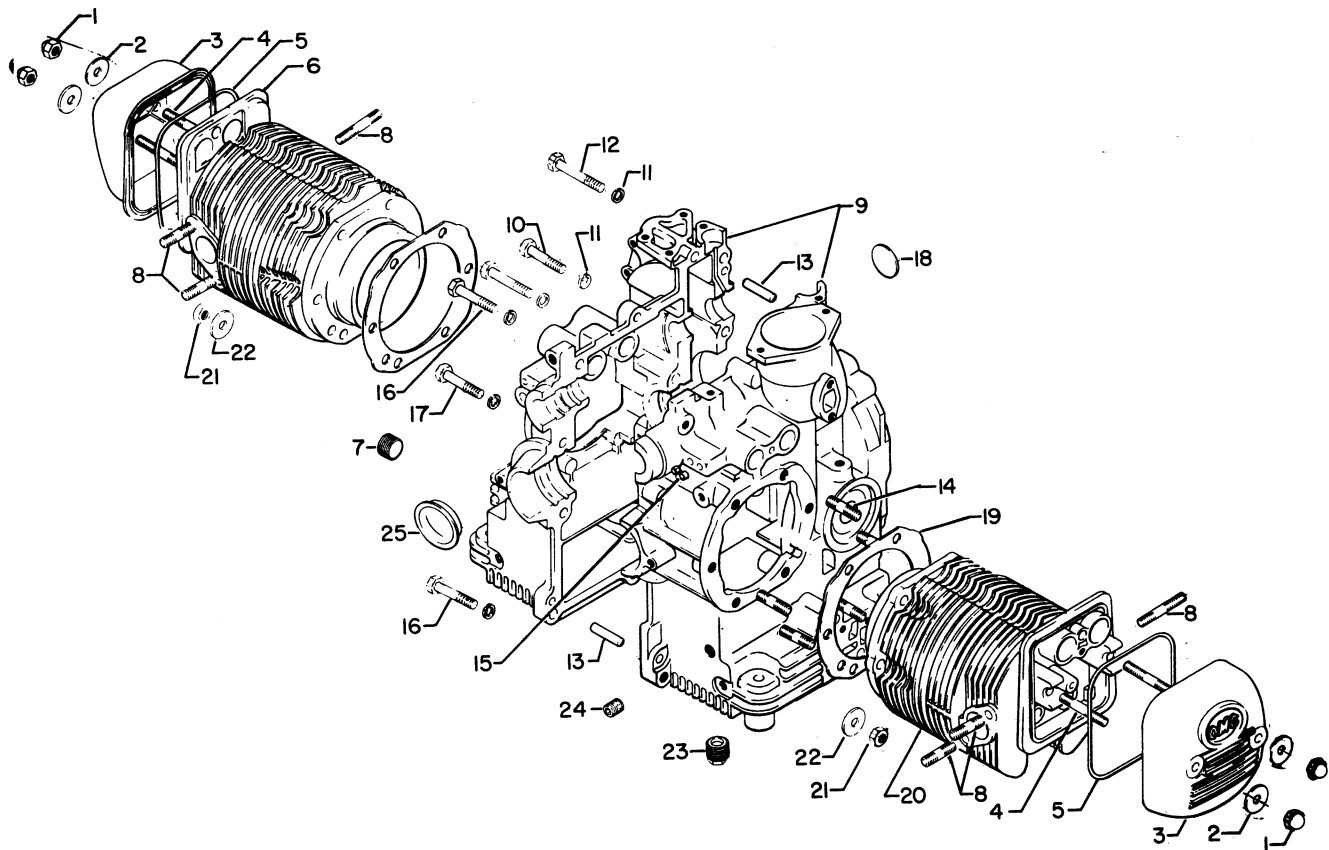
SAFETY WARNING: WHEN REPLACING ANY BOLT, SCREW OR OTHER FASTENER, USE ONLY ORIGINAL EQUIPMENT REPLACEMENT PARTS OR PARTS OF EQUIVALENT STRENGTH AND MATERIAL.

QUICK REFERENCE INDEX

	Page		Page
AIR CLEANER	13	FENDERS	
ALTERNATOR	15	Front	60-61
AMMETER	85	Rear	66
AUXILIARY TRANSMISSION	28-29	FLATBED	70
AUXILIARY TRANSMISSION SHIFTER	28, 33	FLYWHEEL	15
AXLE		FRAME	41
Front	34-35	FRONT PANEL	60-61
Rear	36-37	FUEL GAUGE	85
BACKREST	72	FUEL PUMP	11
BATTERY CARRIER	51	FUEL TANK	50
BRAKE		GASKET SET, ENGINE	3
Front	56	GOVERNOR	6-7
Rear	57	GROMMETS	84
BRAKE CONTROLS	39	HEATER	80-81
BREAKER POINTS	6-7	HORN	85
BUMPERS		HOURLY METER	90
Front	62	HUBS	
Rear	70	Front	56
CAB	74-75	Rear	57
CAMSHAFT	5	HYDRAULIC LINES	55
CARBURETOR	8	IGNITION COMPONENTS	14
CHOKE CONTROL	19	LIGHTS	
CIRCUIT BREAKER	85	Area	86-87
CLIPS	84	Headlights	35
CLUTCH	26-27	Stop & Tail	35-90
CLUTCH CONTROLS	20	Turn Signal	82, 83, 88
CONNECTING RODS	4	MANIFOLDS	13
CRANKCASE	3	MASTER CYLINDER	54
CRANKCASE BREATHER	13	MIRRORS	72-73
CRANKSHAFT	4	MODEL DESIGNATION	Inside Front Cover
CYLINDERS	3	MOUNTS, ENGINE & TRANSMISSION	19
DECALS	91	OIL SUPPLY	9
DIFFERENTIAL	36-37	OVERLOAD SPRINGS	43
DIPSTICK	9	PARKING BRAKE	42, 53
DOORS	71	PERSONNEL SEAT	76
DRIVE SHAFT	27, 32-33	PICKUP BOX	65
DUMP BOX	65	PISTON	4
ELECTRICAL COMPONENTS	85	PLATFORM	
ENGINE COVER	63	Chassis	64
EXHAUST	17, 21	Wide-Box Dump	66
FAN HOUSING	12	PROTECTOSEAL GAS CAP	75

	Page
P.T.O.	30
P.T.O. DRIVE SHAFT	31
P.T.O. SHIFTER	30, 32
PUSH RODS	5
RAMP SET	78
SEAT	72
SHEAR MOUNTS	34-35
SHIFTER	
Auxiliary Transmission.....	28, 33
P.T.O.	30, 32
Transmission	89
SHOCK ABSORBER	43
SHROUDS, AIR.....	16-17
SIDE CURTAINS.....	71
SOLENOID	85
SPARK ARRESTOR	79
SPEEDOMETER	61
SPRINGS	41, 43
STAKE RACK	92
STARTER.....	11
STARTER MOTOR BREAK-DOWN	10
STEERING GEAR	38-39
STEERING LINKAGE.....	40
SWITCHES	
Electrical	85
Oil Pressure	9
Stop Light.....	55, 85
TACHOMETER	85
TAILGATE RELEASE.....	69

	Page
THROTTLE	
Hand.....	19
Foot	18
TILT CONTROLS (RATCHET).....	68-69
(HYDRAULIC)	67
TIMER	6-7
TIRES	
5.00x8.....	58
8.50x8	58-59
Zero Pressure	59
TOW BAR	52
TRAILER HITCH.....	52
TRANSMISSION	
One-piece.....	22-23
Two-piece.....	24-25
TURN SIGNALS	82-83, 88
VALVES	5
VOLTAGE REGULATOR	85
WELDER MOUNTING	51, 78-79
WHEELS	
5.00x8.....	58
8.50x8	58-59
Zero Pressure	59
WINDSHIELD.....	74-75, 76-77
WINDSHIELD SET	76-77
WINDSHIELD WIPER	73
WIRING	
1974 & Prior.....	44-45
1975	
Vehicles equipped with alternator and a separate voltage regulator	46-47
Vehicles equipped with alternator with a built-in voltage regulator.....	48-49

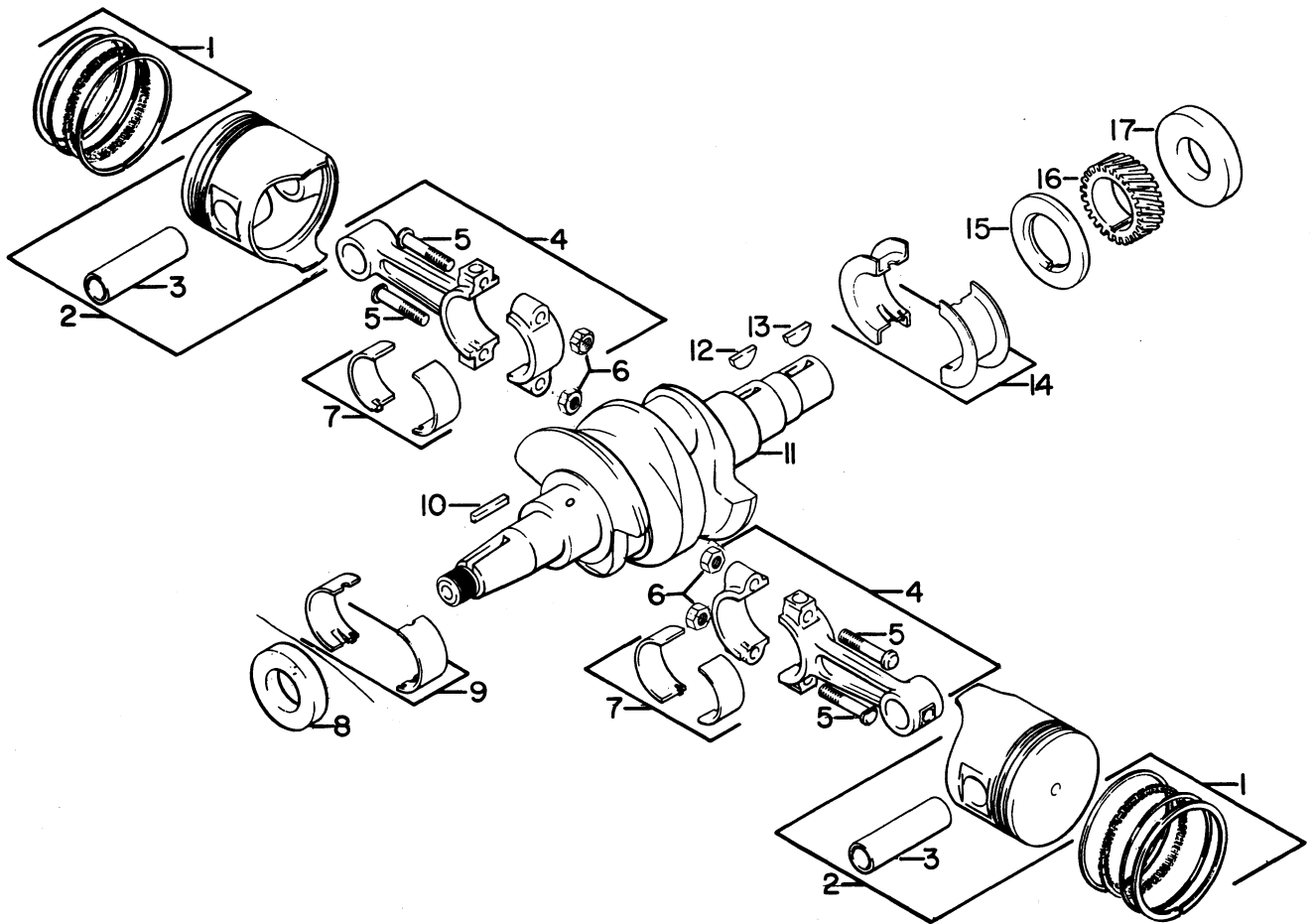


CRANKCASE & CYLINDER

REF. NO.	PART NO.	DESCRIPTION	NO. REQ'D	REF. NO.	PART NO.	DESCRIPTION	NO. REQ'D
1	800217	Nut, 5/16-24 acorn	4	14	111758	. Stud, cylinder mounting	12
2	111828	Gasket, nut	4	15	114082	. Plug, oil galley	4
3	111731	Valve cover	2	16	302600	. Screw, 3/8-16 x 1-1/2 hex. hd.	8
4	111762	Stud, rocker arm shaft and valve cover	4	17	551094	. Screw, 3/8-16 x 1-3/4 hex. hd.	2
5	111716	Gasket, valve cover	2	18	308132	Plug, expansion, 15/16"	1
6	160352	Cylinder, w/valve seats and guides, less valves (standard valves)	1	19	111715	Gasket, cylinder	2
		or		20	160352	Cylinder, w/valve seats and guides, less valves (standard valves)	1
	160427	Cylinder, L. H. w/valve seats and guides, less valves, (No. 1) (stellite exhaust seat)	1		160426	Cylinder, R.H., w/valve seats and guides, less valves (No. 2) (stellite exhaust seat)	1
7	800231	Plug, 1/2 pipe	1	21	805837	Nut, 3/8-24 lock	12
8	111786	Stud, manifold	8	22	306405	Washer, 3/8 plain	12
9	160354	Crankcase set	1	23	111071	Plug, drain, 1/2 pipe	1
10	307776	. Screw, 3/8-16 x 2-3/4 hex. hd.	2	24	800228	Plug, 3/4 pipe	1
11	306353	. Lockwasher, 3/8	13	25	111961	Cover, camshaft	1
12	306837	. Screw, 3/8-16 x 3-1/4 hex. hd.	1	*	112008	Crankcase cement, 5-oz. tube	1
13	111043	. Taper pin	2	*	160440	Gasket Set	1

*Not illustrated

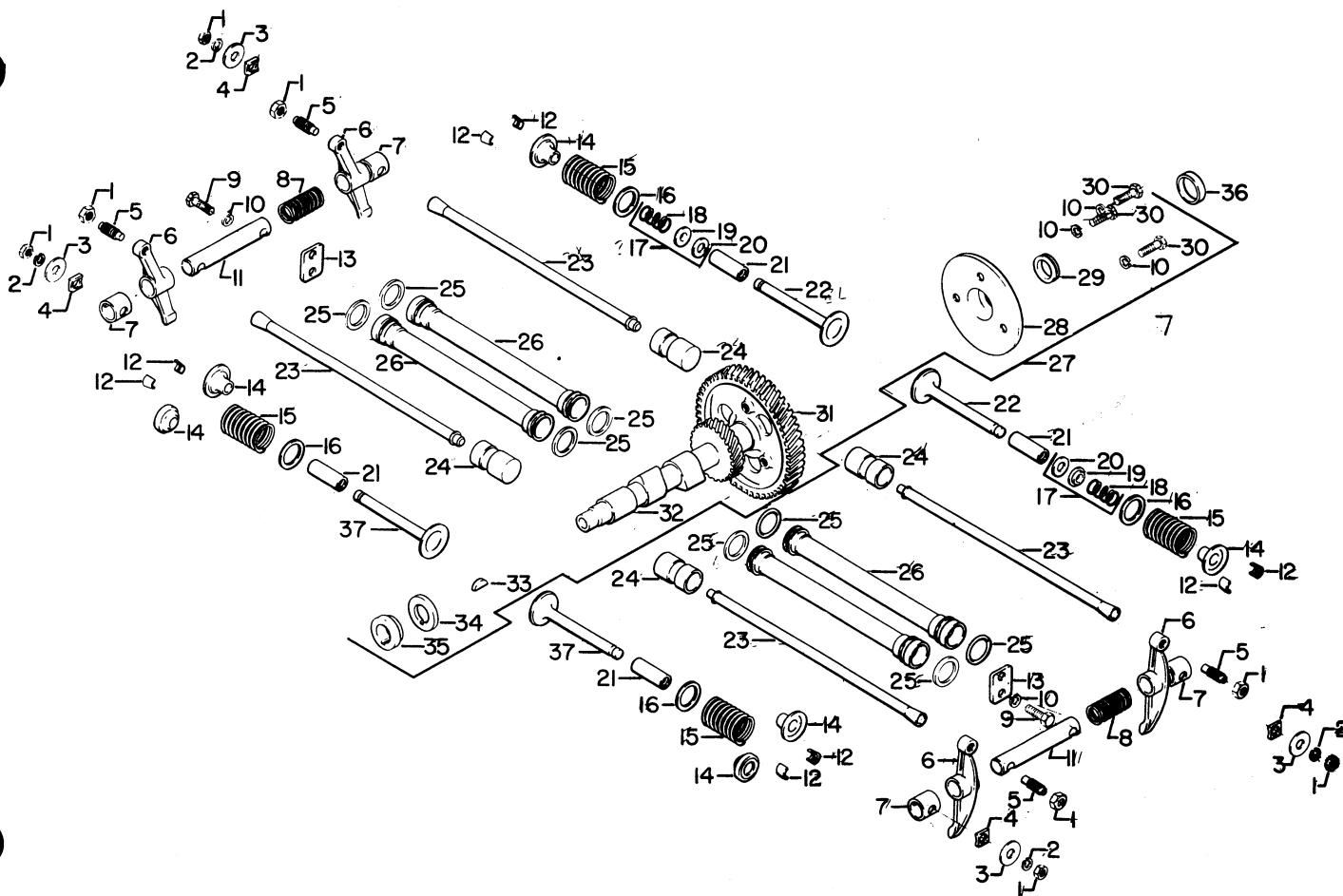
INDENTED PART NAMES INDICATE THESE PARTS ARE INCLUDED IN PREVIOUS ASSEMBLY



CRANKSHAFT, CONNECTING RODS AND PISTONS

REF. NO.	PART NO.	DESCRIPTION	NO. REQ'D	REF. NO.	PART NO.	DESCRIPTION	NO. REQ'D
1	160434	Ring set, standard	2		112456	Bearing inserts, connecting rod, .030 u/s	2
	160435	Ring set, .020 o/s	2		8	111729 Seal, front	1
	160436	Ring set, .030 o/s	2	9	112458	Main bearing set, front, standard	1
2	160441	Piston, w/wrist pin, standard	2		112459	Main bearing set, front, .015 u/s	1
	160442	Piston, w/wrist pin, .020 o/s	2		112460	Main bearing set, front, .030 u/s	1
	160443	Piston, w/wrist pin, .030 o/s	2		10	111807 Key, flywheel	1
3	111664	Wrist pin	2	11	111663	Crankshaft	1
4	160363	Connecting rod, w/hardware (order inserts separately)	2	12	307661	Key, gear	1
	5	111694 .Screw, connecting rod	4	13	307662	Key, crankshaft, rear	1
	6	800221 .Nut, connecting rod	4	14	112462	Main bearing set, rear, standard	1
	7	112454 Bearing inserts, connecting rod, standard	2		112463	Main bearing set, rear, .015 u/s	1
	112455	Bearing inserts, connecting rod, .015 u/s	2		112464	Main bearing set, rear, .030 u/s	1
				15	111659	Spacer, gear	1
				16	111656	Gear, timing	1
				17	111756	Seal, rear	1

INDENTED PART NAMES INDICATE THESE PARTS ARE INCLUDED IN PREVIOUS ASSEMBLY

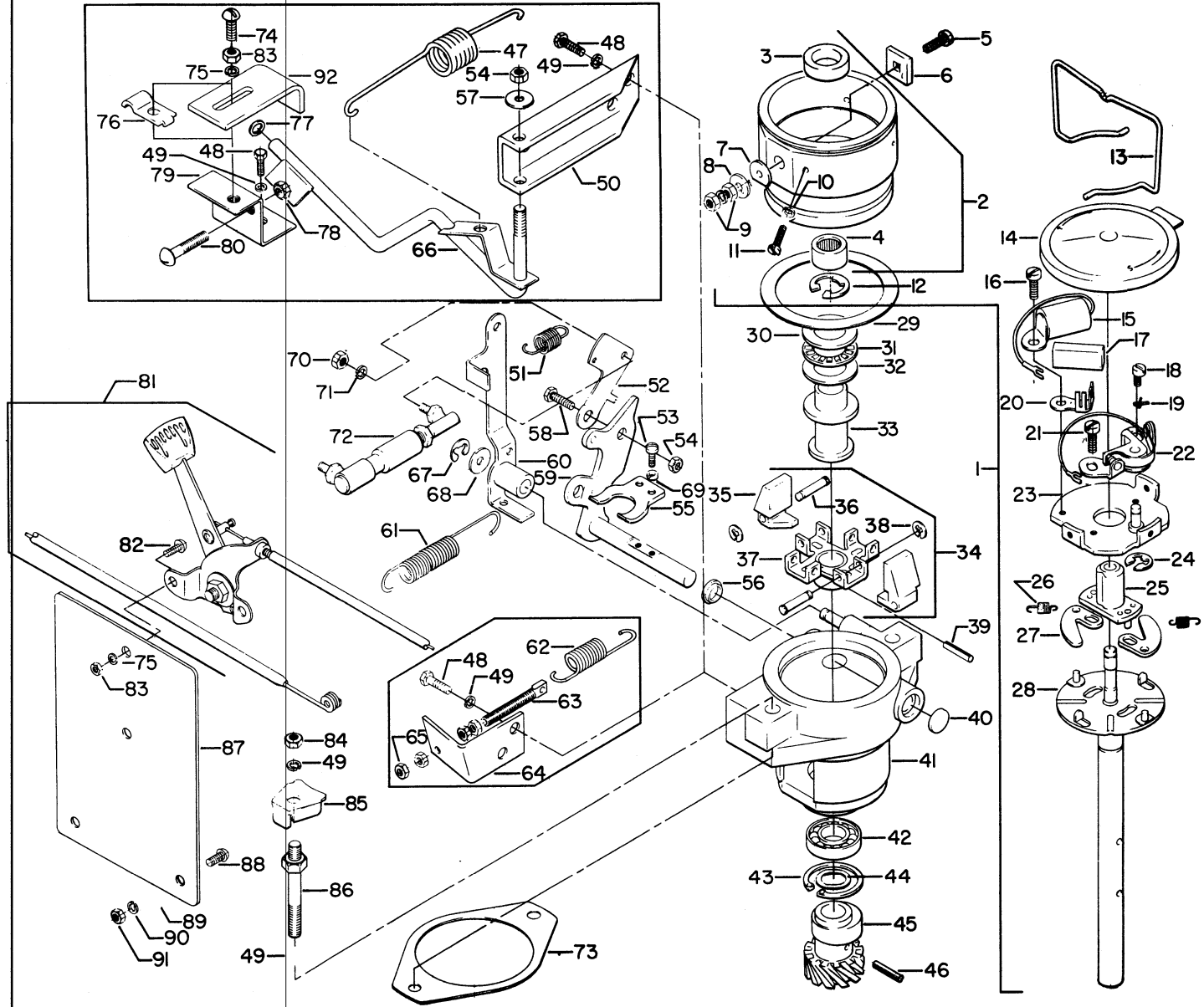


CAMSHAFT, VALVES AND PUSH RODS

REF. NO.	PART NO.	DESCRIPTION	NO. REQ'D	REF. NO.	PART NO.	DESCRIPTION	NO. REQ'D
1	307842	Nut, 5/16-24 hex. jam.	8	19	111085	. Seal, intake valve stem	2
2	306325	Lockwasher, 5/16	4	20	111087	. Gasket, intake valve stem	2
3	309948	Washer, 5/16 plain	4	21	112007	Guide, valve	4
4	111728	Cap, shaft	4	22	111739	Valve, intake	2
5	111732	Screw, tappet adjusting	4	23	111730	Push rod	4
6	111038	Rocker, arm	4	24	111733	Tappet	4
7	111743	Bushing, shaft	4	25	111751	"O" Ring	8
8	111727	Spring, spacer	2	26	111752	Housing, push rod	4
9	306487	Screw, 1/4-20 x 5/8 hex. hd.	2	27	160379	Camshaft, w/gear, cover & seals	1
10	306396	Lockwasher, 1/4	5	28	111734	. Cover, gear	1
11	111668	Shaft, rocker arm	2	29	111837	. Seal, cover	1
12	111741	Keeper half	8	30	306419	. Screw, 1/4-20 x 1/2 hex. hd.	3
13	111759	Retainer, housing	2	31	111662	. Timing gear	1
14	111658	Retainer, valve spring	2 or 4	32	111661	. Camshaft	1
		or		33	306560	. Key	2
15	111964	Rotator, valve (for stellite valve)	2	34	111660	. Washer, thrust	1
	111750	Spring, valve	2 or 4	35	111667	. Collar, retaining	1
		or		36	111785	Seal, camshaft	1
16	111967	Spring, valve (for stellite valve)	2	37	111740	Valve, exhaust	2
17	111742	Washer, valve spring	4			or	
18	160700	Valve seal set	2		111966	Valve, exhaust (stellite)	2
	111086	. Spring, intake valve stem	2				

INDENTED PARTS INDICATE THESE PARTS ARE INCLUDED IN PREVIOUS ASSEMBLY

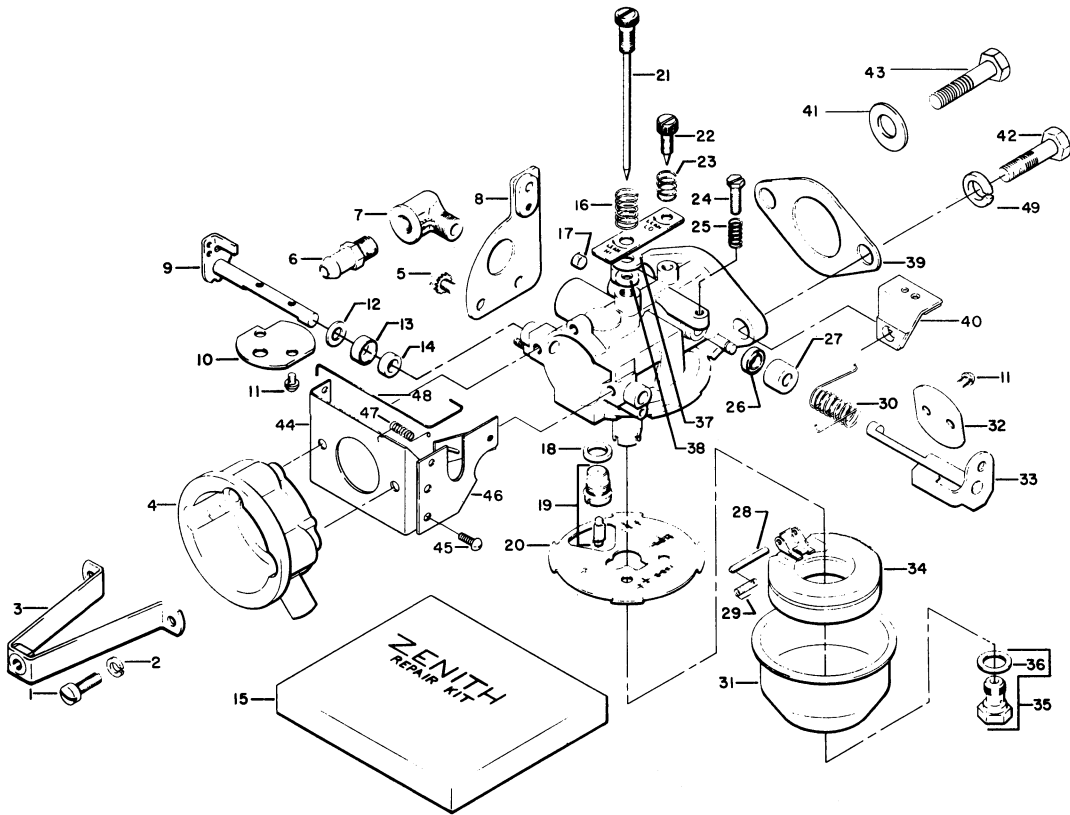
TIMER AND GOVERNOR
(List on page 7)



TIMER AND GOVERNOR

(Illustrated on page 6)

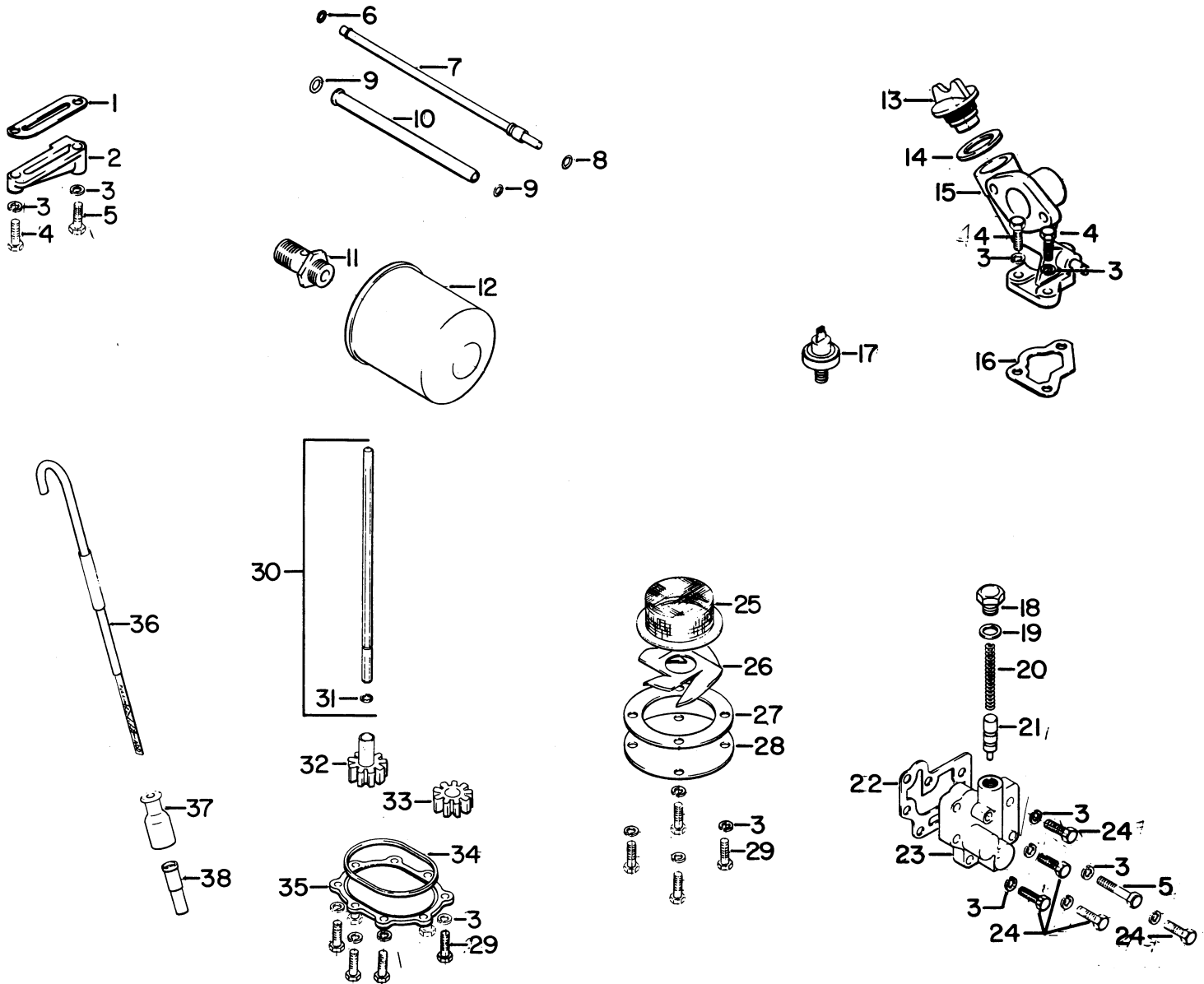
REF. NO.	PART NO.	DESCRIPTION	NO. REQ'D	REF. NO.	PART NO.	DESCRIPTION	NO. REQ'D
	161903	Timer, w/governor and gear (2 wt.) or	1	44	111770	Washer, wave	1
	161904	Timer, w/governor and gear (4 wt.)	1	45	111755	Gear, driven	1
1	161902	Timer complete	1	46	603501	Roll pin	2
2	580433	Housing, w/seal and bushing	1	47	110700	Spring	1
3	510499	Seal, housing	1	48	306487	Screw, 1/4-20 x 5/8	2
4	510505	Needle bearing	1	49	306396	Lockwasher, 1/4	6
5	510530	Screw, terminal	1	50	160766	Bracket	1
6	510479	Block, insulating	1	51	111892	Spring	1
7	510598	Bushing, insulating	1	52	111891	Lever, auxiliary	1
8	121038	Washer, No. 6	1	53	306915	Screw, No. 6-32 x 5/16	2
9	306510	Nut, No. 6-32	2	54	800048	Nut, 1/4-28 hex.	1
10	306506	Lockwasher, No. 6	5	55	111812	Yoke, spool	1
11	307136	Screw, No. 6-32 x 5/16	3	56	111813	Seal, shaft	1
12	510487	Retaining ring	1	57	308090	Washer, 1/4	1
13	510543	Clamp, timer	1	58	300977	Screw, 1/4-28 x 5/8	1
14	580427	Cover	1	59	160409	Lever and shaft	1
15	510613	Condenser	1	60	160836	Arm, w/bushing	1
16	510490	Screw, No. 10-32 x 1/4	1	61	110895	Spring	1
17	510189	Wick, oiler	1	62	111907	Spring	1
18	510185	Screw, eccentric	1	63	111893	Screw, adjusting	1
19	307594	Clip, spring	1	64	111926	Bracket	1
20	510480	Clip, oiler	1	65	132520	Nut, No. 10-32	4
21	308120	Screw, breaker plate	1	66	160767	Lever	1
22	580394	Breaker point set	1	67	111939	Retaining ring	1
23	580485	Base, w/shaft and pins	1	68	120590	Washer, 1/4	1
24	202139	Retaining ring	1	69	306506	Lockwasher, No. 6	5
25	580518	Cam, w/pins	1	70	133079	Nut, No. 8-32	2
26	510631	Spring, weight	2	71	306991	Lockwasher, No. 8	2
27	510590	Weight	2	72	112048	Link, governor	1
28	580472	Base, w/post	1	73	111771	Gasket, housing	1
29	111769	Gasket, housing	1	74	306514	Screw, No. 10-24 x 1/2	1
30	111814	Thrust washer, arm	1	75	120052	Lockwasher, No. 10	3
31	111815	Thrust bearing, spool	1	76	111898	Clamp, cable	1
32	111816	Thrust washer, spool	1	77	809258	Retaining ring	1
33	111817	Spool, governor	1	78	130728	Nut, 1/4-20	1
34	160410	Carrier, w/4 weights or	1	79	160847	Bracket, cable	1
	160411	Carrier, w/2 weights	1	80	130452	Screw, 1/4-20 x 1 3/4	1
35	111819	Weight, governor	2 or 4	81	816066	Lever, governor control	1
36	111820	Pin weight	2 or 4	82	800271	Screw, 10-24 x 1/2	2
37	111818	Carrier, weight	1	83	306531	Nut, 10-24	2
38	111821	Retaining ring	2 or 4	84	306397	Nut, 1/4-28	2
39	306966	Roll pin, 1/8 x 3/4	1	85	111768	Clamp, timer	2
40	202310	Expansion plug, 1/2"	1	86	111824	Stud, timer	1
41	160423	Housing w/pin	1	87	817490	Bracket, governor cable	1
42	111822	Bearing, shaft	1	88	800019	Screw, 1/4-20 x 1/2	1
43	111823	Retaining ring	1	89	308090	Washer, 1/4	1
				90	306396	Lockwasher, 1/4	4
				91	306375	Nut, 1/4-20	1
				92	824133	Bracket, governor arm	1



CARBURETOR

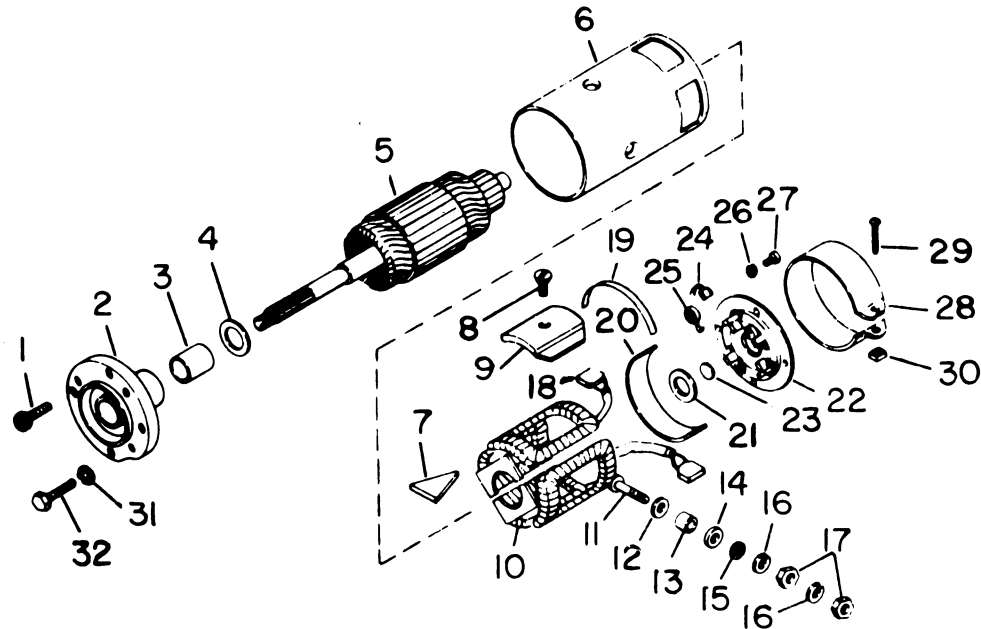
REF. NO.	PART NO.	DESCRIPTION	NO. REQ'D	REF. NO.	PART NO.	DESCRIPTION	NO. REQ'D
	883382	Carburetor complete	1	27*	113420	.. Retainer	1
1	306543	.. Screw, No. 10 32 x 5/8	3	28*	113430	.. Pin, float	1
2	120052	.. Lockwasher No. 10	3	29	113431	.. Spring, float	1
3	161735	.. Bracket	1	30	113450	.. Spring, throttle	1
4	113318	.. Connector	1	31	113433	.. Bowl, fuel	1
5	303791	.. Screw No. 10 32 x 5/16	2	32	113436	.. Plate, throttle	1
6	303492	.. Nipple, fuel line	1	33	113449	.. Throttle, shaft/lever	1
7	111946	.. Elbow 90 degrees	1	34	113429	.. Float	1
8	161678	.. Bracket, choke cable	1	35	113455	.. Main jet	1
	161927	.. Carburetor	1	36*	113445	.. Washer, main jet	1
9	113438	.. Choke shaft/lever	1	37	113443	.. Washer, main adj. needle	1
10	113454	.. Plate, choke	1	38	113442	.. Washer, rubber	1
11	113437	.. Screw, choke/throttle plate	4	39*	111767	Gasket	1
12*	113453	.. Washer, choke shaft	1	40	162277	Bracket	1
13*	113452	.. Retainer, shaft seal	1	41	308419	Washer 5/16"	1
14*	113451	.. Seal, choke shaft	1	42	307718	Screw, 5/16"-24 x 1 1/8"	1
15	161768	.. Carburetor repair kit	1	43	306504	Screw, 5/16"-24 x 1"	1
16	113441	.. Spring, main needle	1		162273	Idle ass'y, fast	1
17	113421	.. Plug, throttle shaft	1	44	162274	.. Bracket	1
18	113447	.. Washer, fuel valve	1	45	130255	.. Screw, No. 10 24 x 1/4"	2
19*	113456	.. Valve and seat	1	46	162275	.. Plate ass'y, side	1
20*	113432	.. Gasket, bowl	1	47	114305	.. Spring	1
21*	113457	.. Idle jet/main adj. needle	1	48	114300	.. Rod, cam pivot	1
22	113422	.. Needle, idle adj.	1	49	306325	Lockwasher 5/16"	1
23	113423	.. Spring, idle needle	1	+	306799	Lockwasher, 5/16" shakeproof	1
24	113428	.. Screw, throttle stop	1	+	306390	Nut, 5/16-24	1
25	113448	.. Spring, throttle stop	1				
26*	113419	.. Seal, throttle shaft	1				

+ Not illustrated
* Included in repair kit no. 161768



OIL SUPPLY

REF. NO.	PART NO.	DESCRIPTION	NO. REQ'D	REF. NO.	PART NO.	DESCRIPTION	NO. REQ'D
1	111745	Gasket, return block	2	20	111827	Spring, relief valve	1
2	111746	Block, oil return	2	21	111790	Valve, relief	1
3	306396	Lockwasher, 1/4	24	22	111792	Gasket, housing	1
4	302288	Screw, 1/4-20 x 1	4	23	111793	Housing, relief valve	1
5	303459	Screw, 1/4-20 x 1 1/2	3	24	306418	Screw, 1/4-20 x 1 1/8	5
6	111764	"O" Ring, tube	2	25	111720	Strainer	1
7	111810	Tube, oil supply	2	26	111860	Retainer, strainer	1
8	111838	"O" Ring, tube	2	27	111726	Gasket, cover	1
9	111748	"O" Ring, tube	4	28	111721	Cover, strainer	1
10	111747	Tube, oil return	2	29	306487	Screw, 1/4-20 x 5/8	12
11	111757	Adapter, filter	1	30	160380	Shaft, drive, w/ring	1
12	111836	Filter, oil	1	31	111777	Retaining ring	1
13	111858	Cap, filler	1	32	160376	Gear, drive	1
14	111784	Gasket, cap	1	33	111753	Gear, idler	1
15	111804	Filler, oil	1	34	111775	Gasket, cover	1
16	111773	Gasket, filler	1	35	111719	Cover, pump	1
17	111920	Switch, oil pressure	1	36	160782	Dipstick	1
18	111791	Screw, relief valve	1	37	111885	Sleeve, dipstick, rubber	1
19	111783	Gasket, screw	1	38	111349	Tube, dipstick	1

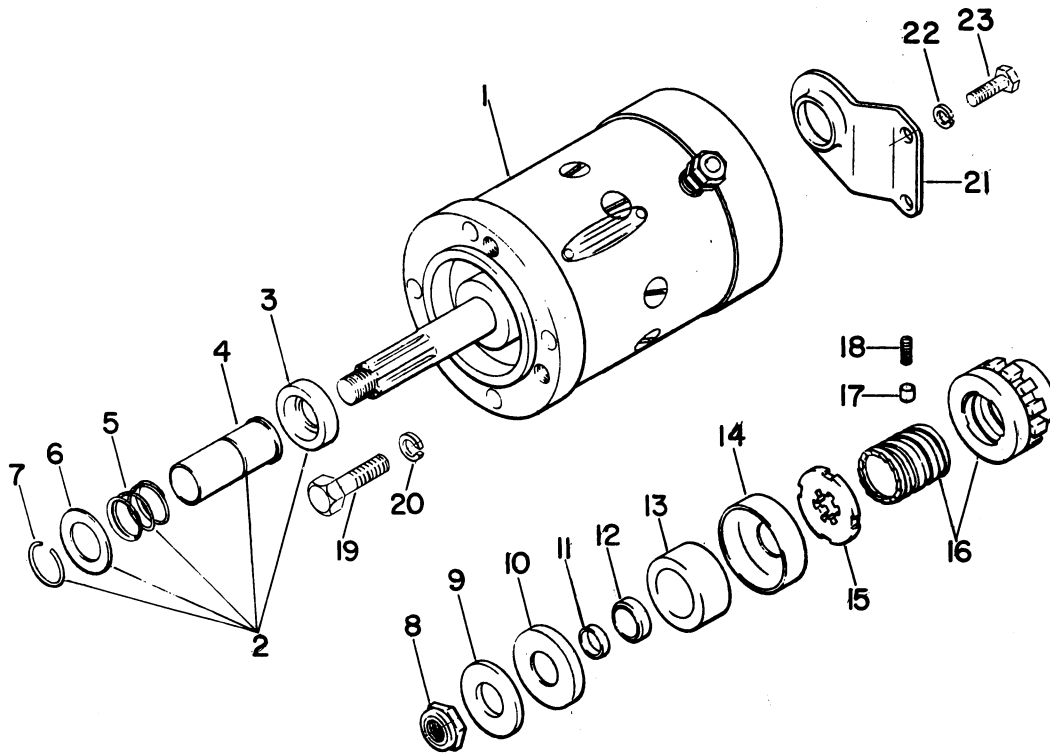


**STARTER-MOTOR
[PRESTOLITE]**

Ref. No.	Part No.	Description	No. Req'd	Ref. No.	Part No.	Description	No. Req'd
	110868	Starter-Motor	1	19	+	.Connector	1
1	309858	Screw, socket hd.	4	20	+	.Insulation, connector	1
2	110947	Head, drive end	1	21	110939	Washer, thrust, 1/32"	**
3	110948	Bearing, drive end	1			or	
4	110938	Washer, thrust	1		110940	Washer, thrust, 3/64"	**
5	110943	Armature	1			or	
*	110931	Frame and field	1		110941	Washer, thrust, .080	**
6	+	.Frame	1			or	
7	+	.Insulation	1		110942	Washer, thrust, 1/16"	**
8	+	.Screw, pole shoe	4	22	110944	Head, commutator end	1
9	+	.Pole shoe	4	23	110937	.Felt	1
10	110934	.Field coil	1	24	+	.Ground brush	2
11	+	.Stud, terminal	1	25	110945	.Spring, brush	4
12	110933	.Washer, insulated	1	26	550757	Lockwasher	4
13	110935	.Bushing, insulated	1	27	309798	Screw	4
14	110932	.Washer, insulated	1	28	110946	Cover band	1
15	110936	.Washer	1	29	306904	Screw	1
16	306325	.Lockwasher	2	30	309859	Nut, square	1
17	306390	.Nut	2	31	120177	Lockwasher	3
18	110949	.Brush set	1	32	306414	Screw	3

INDENTED PART NAMES INDICATE THESE PARTS ARE INCLUDED IN PREVIOUS ASSEMBLY

+ Not Offered



STARTER

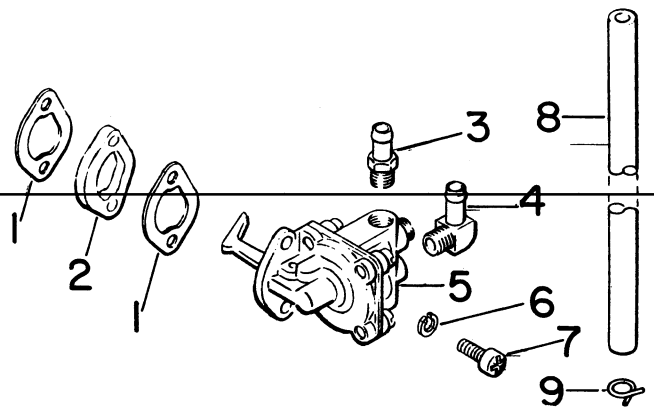
Ref. No.	Part No.	Description	No. Req'd	Ref. No.	Part No.	Description	No. Req'd
1	110905	Starter motor	1	13	112034	.. Cushion	1
*	110901	.. Bendix drive	1	14	112035	.. Cup, inner	1
2	112042	.. Sleeve and spring	1	15	112036	.. Ratchet	1
3	112047	.. Stop, pinion	1	16	110902	.. Worm drive and pinion,	1
4	112046	.. Sleeve	1			w/spring and cup	1
5	112045	.. Spring, anti-drift	1	17	112041	.. Cup, spring	1
6	112044	.. Washer	1	18	112040	.. Spring	1
7	112043	.. Ring, retaining	1	19	306414	Screw, 3/8-16 x 1	3
8	112029	.. Nut, 1/2-20	1	20	120177	Lockwasher, 3/8	3
9	112030	.. Thrust washer	1	21	160386	Bracket, support	1
10	112031	.. Cup, outer	1	22	306396	Lockwasher, 1/4	2
11	112032	.. Bushing	1	23	302288	Screw, 1/4-20 x 1	2

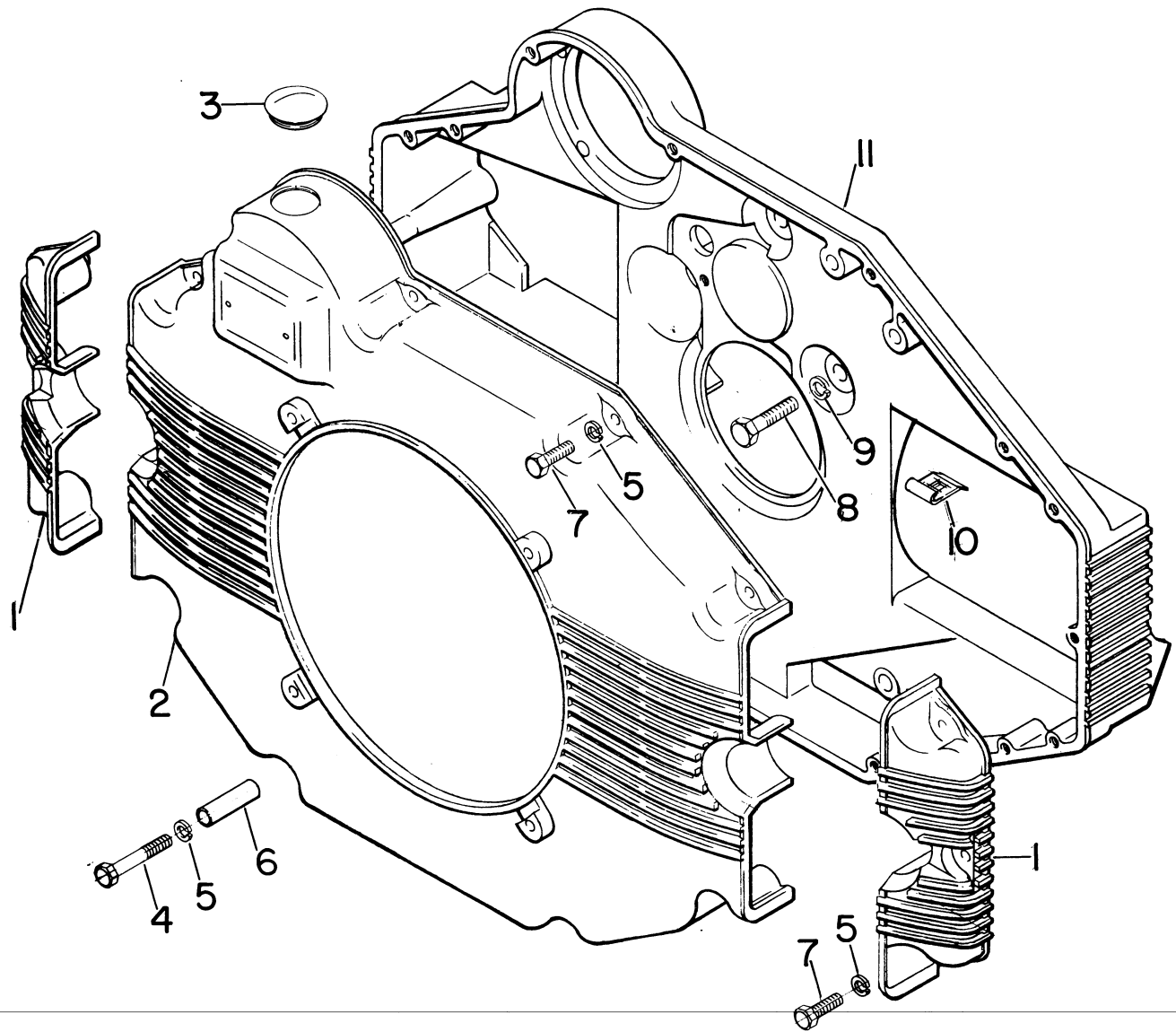
*Not illustrated

INDENTED PART NAMES INDICATE THESE PARTS ARE INCLUDED IN PREVIOUS ASSEMBLY.

FUEL PUMP

REF. NO.	PART NO.	DESCRIPTION	NO. REQ'D
1	111779	Gasket, fuel pump	2
2	111890	Block, insulator	1
3	303492	Nipple	1
4	113853	Elbow	1
5	111368	Fuel Pump	1
6	306396	Lockwasher, 1/4	2
7	800229	Screw, 1/4-20 x 1 fillister hd.	2
8	307406	Fuel line (to carburetor)	1
9	552199	Clamp, fuel line	2

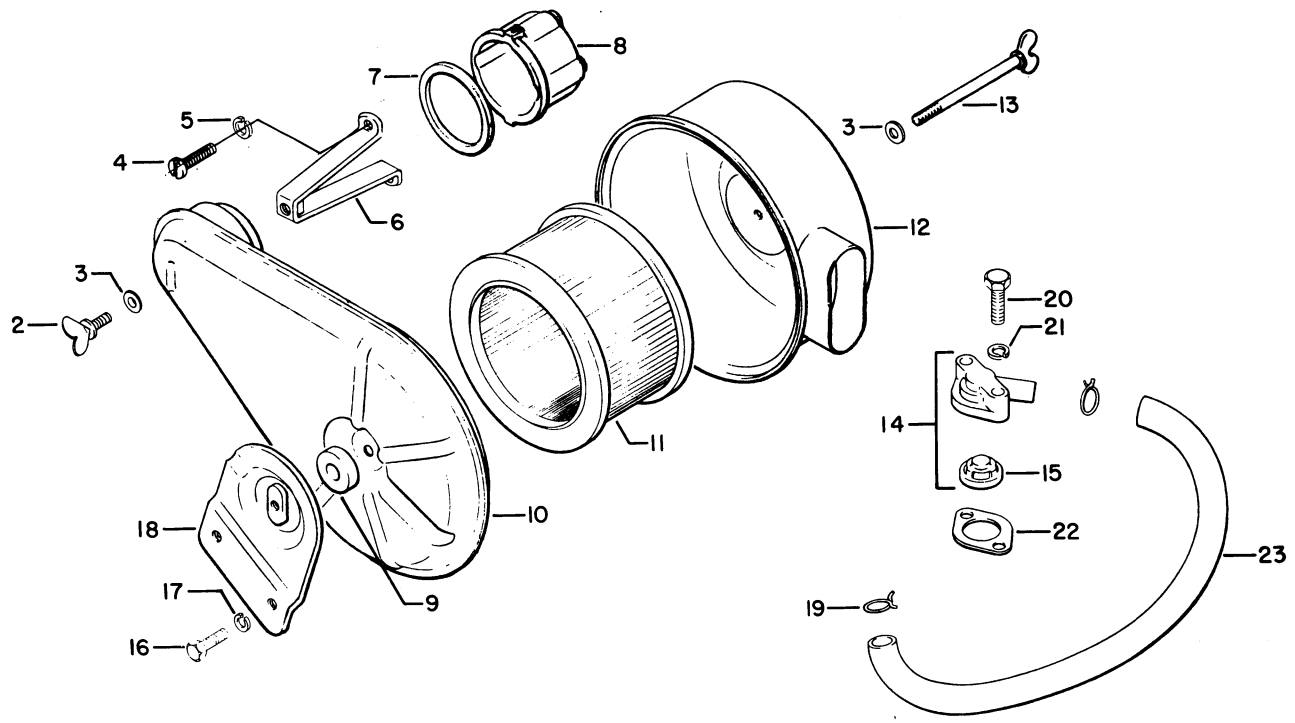




FAN HOUSING

Ref. No.	Part No.	Description	No. Req'd	Ref. No.	Part No.	Description	No. Req'd
1	111797	Cap, fan housing	2	7	302288	Screw, 1/4-20 x 1 hex. hd.	13
2	160365	Housing, fan front (w/hole plug) .	1	8	302600	Screw, 3/8-16 x 1 1/2 hex. hd.	5
3	112002	. Hole plug, rubber	1	9	120177	Lockwasher, 3/8	5
4	308480	Screw, 1/4-20 x 2 1/2 hex. hd.	2	10	111928	Nut, speed	4
5	306396	Lockwasher, 1/4	15	11	160640	Housing, fan, rear	1
6	111958	Spacer	2				

INDENTED PART NAMES INDICATE THESE PARTS ARE INCLUDED IN PREVIOUS ASSEMBLY

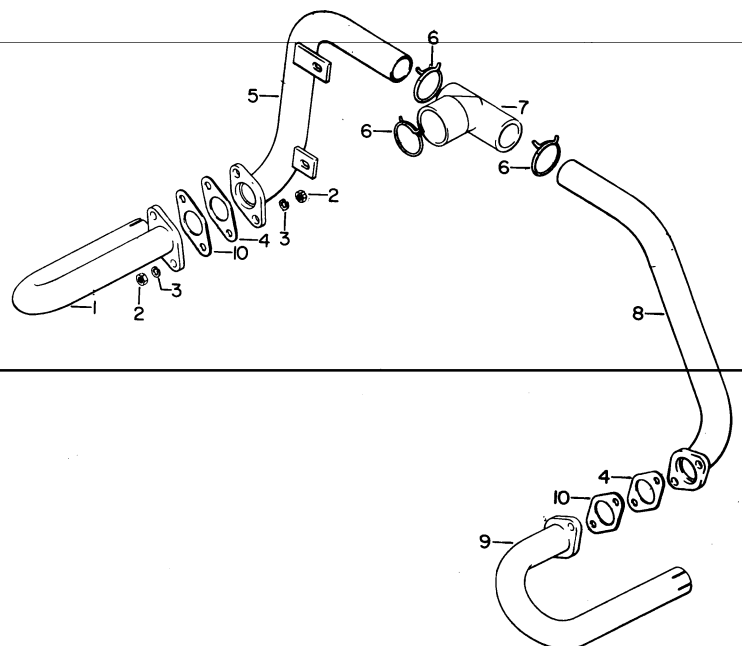


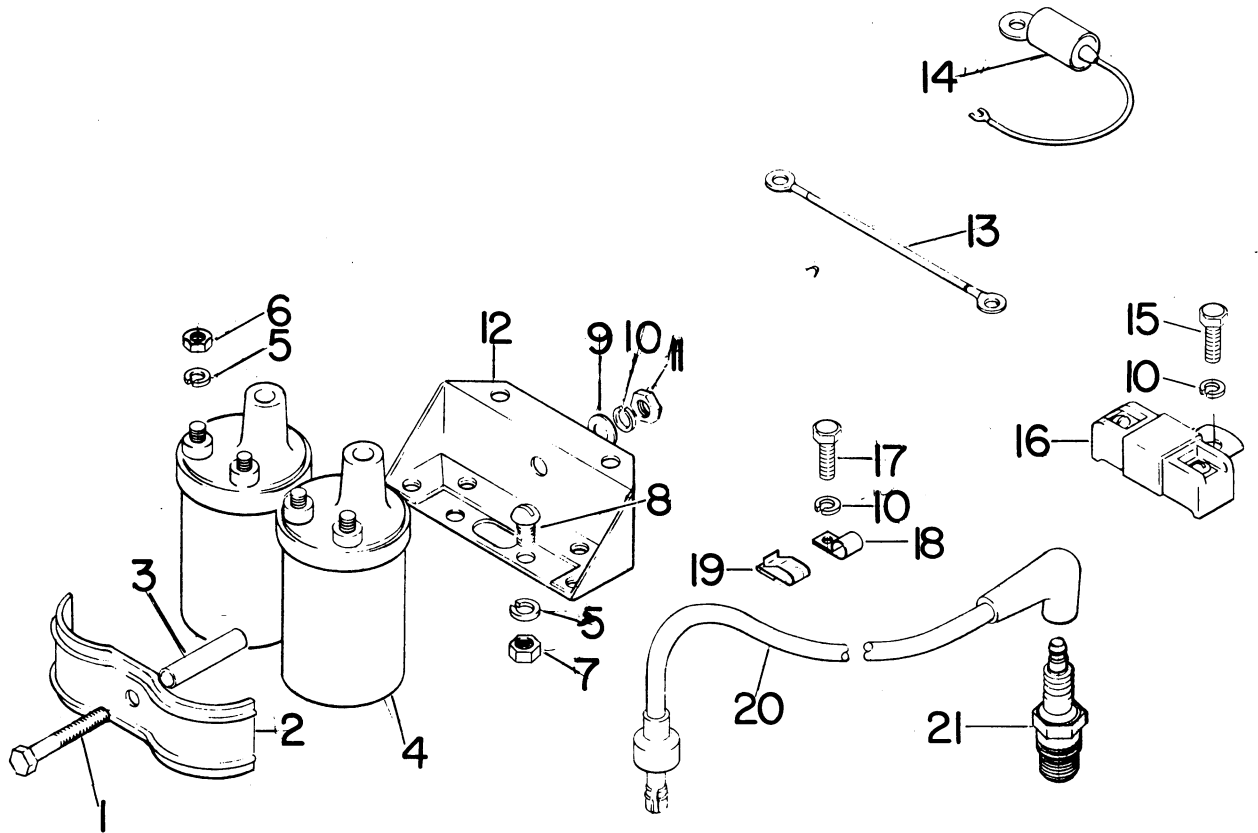
AIR CLEANER AND CRANKCASE BREATHER

Ref. No.	Part No.	Description	No. Req'd	Ref. No.	Part No.	Description	No. Req'd
2	604213	Wing screw	1	13	111881	Wing screw	1
3	111173	Seal, rubber	2	14	160387	Housing, w/breather valve	1
4	306543	Screw, No. 10-32 x 5/8	3	15	111744	Breather valve	1
5	120052	Lockwasher, No. 10	3	16	306555	Screw, 5/16-18 x 5/8	2
6	161735	Bracket	1	17	306325	Lockwasher, 5/16	2
7	111878	Gasket, adapter	1	18	160401	Bracket	1
8	113318	Adapter	1	19	308647	Clamp, breather hose	2
9	111877	Gasket, mounting	1	20	306418	Screw, 1/4-20 x 1 1/8	2
10	161532	Body, air cleaner	1	21	306396	Lockwasher, 1/4	2
11	111316	Element, air cleaner	1	22	111834	Gasket, breather housing	1
12	112005	Cover, air cleaner	1	23	111909	Hose, breather	1

MANIFOLDS

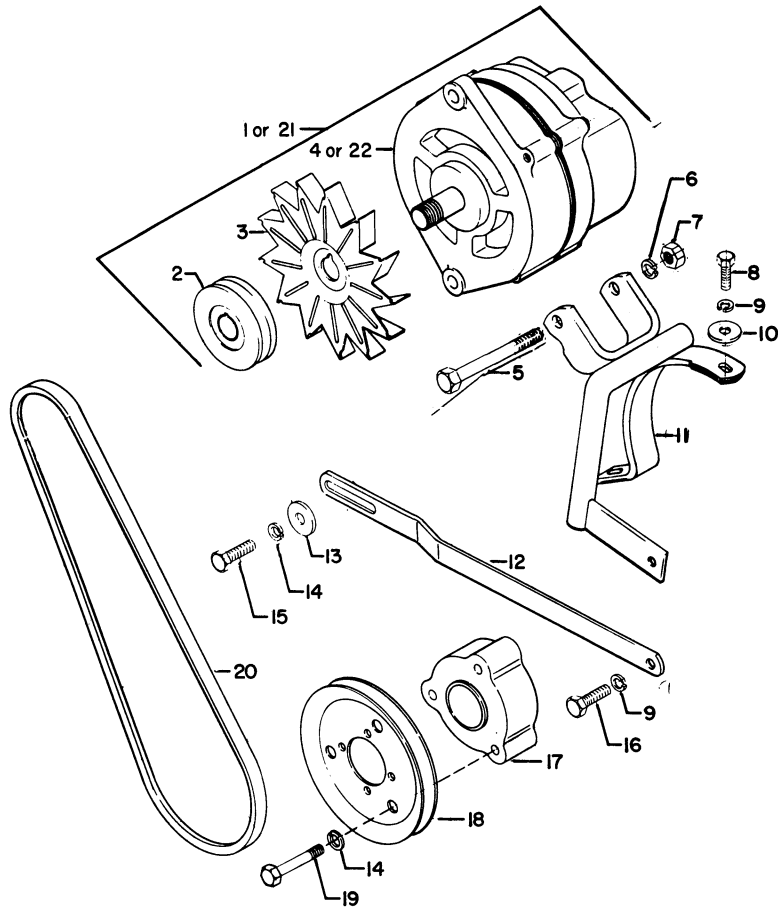
REF. NO.	PART NO.	DESCRIPTION	NO. REQ'D
1	160396	Exhaust manifold, right	1
2	306320	Nut, 5/16-24 hex.	8
3	306325	Lockwasher, 5/16	8
4	111760	Gasket, intake manifold	2
5	160835	Intake manifold, right	1
6	308180	Clamp, connector tee	3
7	111908	Connector tee, intake manifold	1
8	160397	Intake manifold, left	1
9	160395	Exhaust manifold, left	1
10	111761	Gasket, exhaust manifold	2





IGNITION COMPONENTS

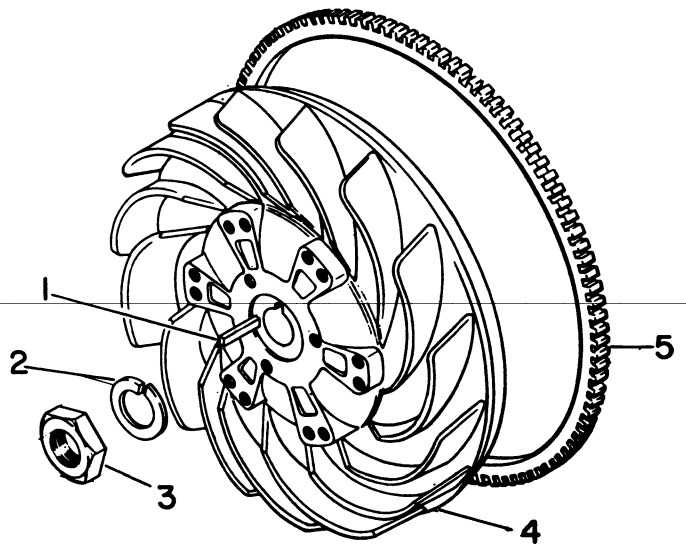
Ref. No.	Part No.	Description	No. Req'd	Ref. No.	Part No.	Description	No. Req'd
1	308480	Screw, ¼-20 x 2½	1	13	112987	Wire, coil to coil	1
2	112940	Clamp, coil	1	14	510613	Condenser	1
3	823319	Sleeve	1	15	306487	Screw, ¼-20 x 5/8 hex. hd.	1
4	383444	Coil	2	16	580601	Resistor	1
5	120052	Lockwasher, No. 10	6	17	306419	Screw ¼-20 x ½ hex. hd.	1
6	132520	Nut, No. 10-32	4	18	111886	Clip, short plug wire	1
7	306520	Nut, No. 10-24 hex.	2	19	111887	Clip, long plug wire	1
8	306460	Screw, No. 10-24 x	2	20	113745	Wire, plug, short	1
9	308090	Washer, ¼	1			or	
10	306396	Lockwasher, ¼	3		113746	Wire, plug, long	1
11	306375	Nut, ¼-20 hex.	1	21	111960	Spark plug	2
12	881848	Bracket, coil mounting	1				



ALTERNATOR

Ref. No.	Part No.	Description	No. Req'd
1	880598	Alternator, w/ pulley and fan (Std.)	1
2	816866	Pulley, alternator	1
3	816867	Fan, alternator	1
4	816868	Alternator (Std.)	1
5	311213	Screw, 3/8—16 x 3 Hex. hd.	1
6	120177	Lockwasher, 3/8	1
7	306562	Nut, 3/8—16 hex.	1
8	302288	Screw, 1/4—20 x 1 hex. hd.	2
9	306396	Lockwasher, 1/4	3
10	308090	Washer, 1/4 plain	2
11	880600	Bracket, mounting	1
12	816873	Bracket, adjusting	1
13	103867	Washer, 5/16 plain	1
14	306325	Lockwasher, 5/16	4
15	306416	Screw, 5/16—18 x 1 hex. hd.	1
16	306419	Screw, 1/4—20 x 1/2 hex. hd.	1
17	814143	Adapter, pulley	1
18	879371	Pulley, flywheel	1
19	306424	Screw, 5/16—18 x 2 hex. hd.	3
20	816864	V-Belt	1
21	883211	Alternator, w/ pulley and fan (includes built-in regulator)	1
22	823665	Alternator (w/ built-in regulator)	1

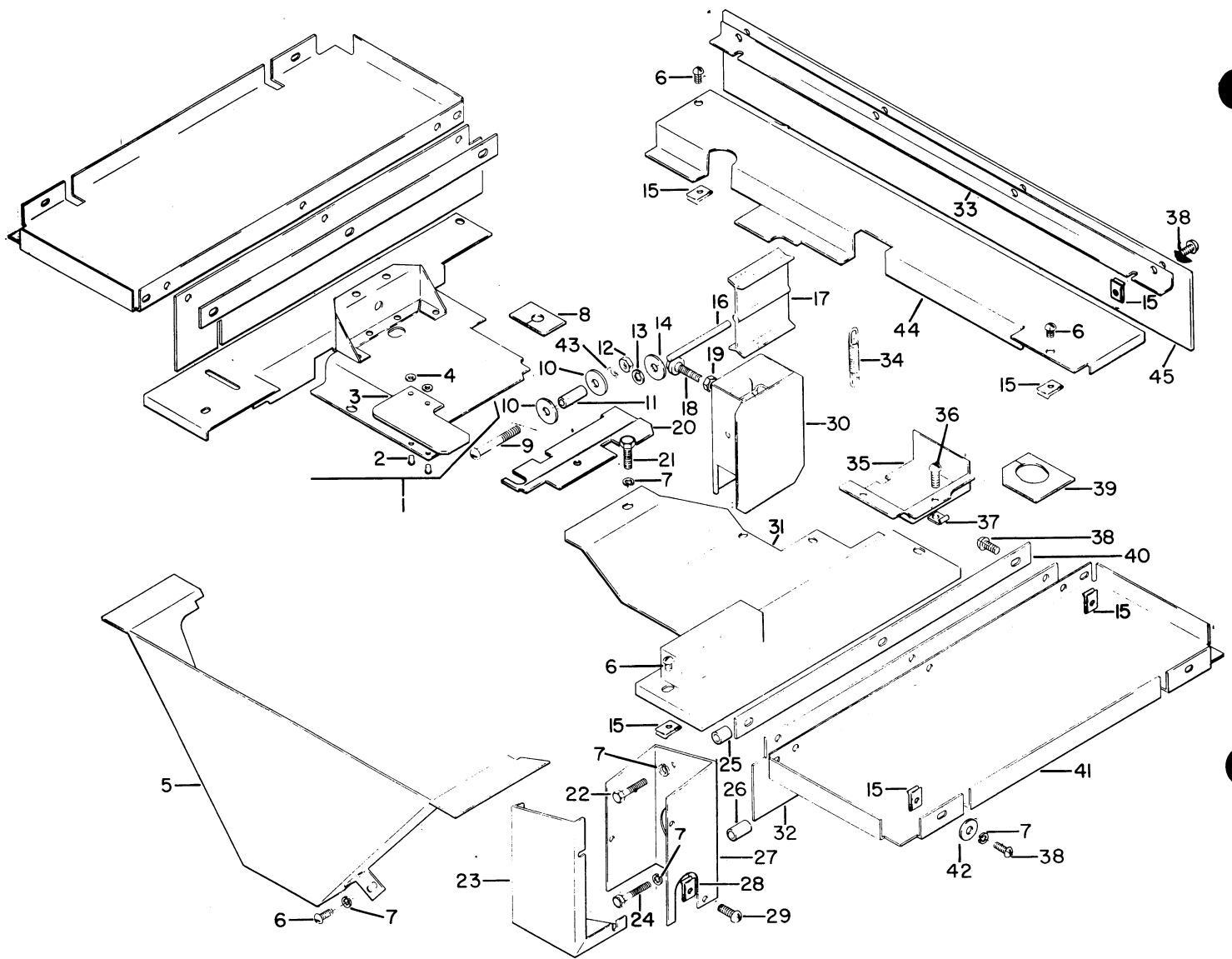
INDENTED PART NAMES INDICATE THESE PARTS ARE INCLUDED IN PREVIOUS ASSEMBLY



FLYWHEEL

Ref. No.	Part No.	Description	No. Req'd
1	111807	Key, flywheel	1
2	308008	Lockwasher, 7/8	1
3	305134	Nut, 7/8—14 hex.	1
4	580563	Flywheel, w/ ring gear	1
5	510551	Ring gear	1

INDENTED PART NAMES INDICATE THESE PARTS ARE INCLUDED IN PREVIOUS ASSEMBLY

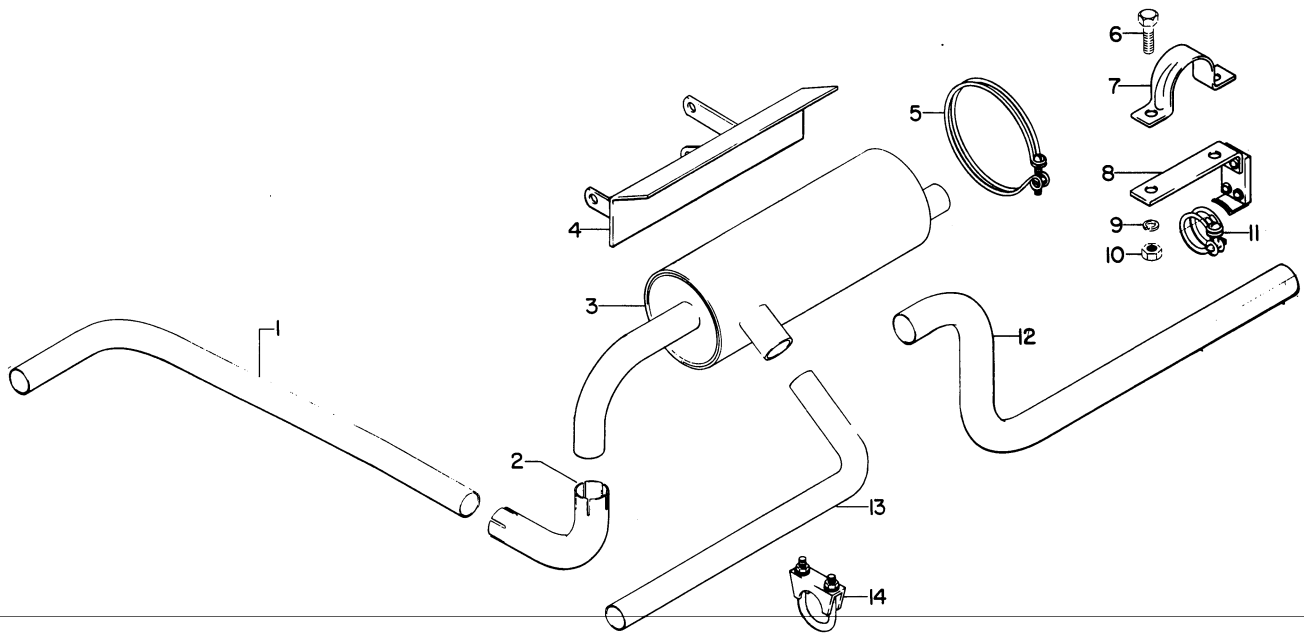


AIR SHROUDS

REF. NO.	PART NO.	DESCRIPTION	NO. REQ'D	REF. NO.	PART NO.	DESCRIPTION	NO. REQ'D
1	161905	Shroud, right w/seal	1	20	111358	Shroud, center	1
2	111610	. Rivet, seal	2	21	306419	Screw, 1/4-20 x 1/2	3
3	111356	. Seal, right shroud	1	22	600014	Screw, 1/4-20 x 1 3/4	1
4	308878	. Washer, rivet	2	23	111359	Cover, carburetor heater (For models without heater)	1
5	160787	Shroud, front	1		818524	Cover, carburetor heater (For models with heater)	1
6	800019	Screw, 1/4-20 x 1/2	6	24	306832	Screw, 1/4-20 x 2	1
7	306396	Lockwasher, 1/4	3	25	111345	Spacer, short	1
8	111546	Seal, throttle	1	26	111344	Spacer, long	1
9	306888	Screw, No. 10-24 x 2	1	27	111357	Body, carburetor heater (For models without heater)	1
10	300154	Washer, No. 10	2		818523	Body, carburetor heater (For models with heater)	1
11	111506	Bushing	1	28	800176	Speed nut, 10A	3
12	306531	Nut, No. 10-24	1	29	111564	Screw, No. 10-1/2	3
13	800175	Speed nut, 1/8	3			(Continued on page 17)	
14	308087	Washer, No. 6	1				
15	800196	Speed nut, 1/4-20	14				
16	111346	Pin	1				
17	160781	Shutter	1				
18	111350	Thermostat, air mixer	1				
19	306320	Nut, 5/16-24	1				

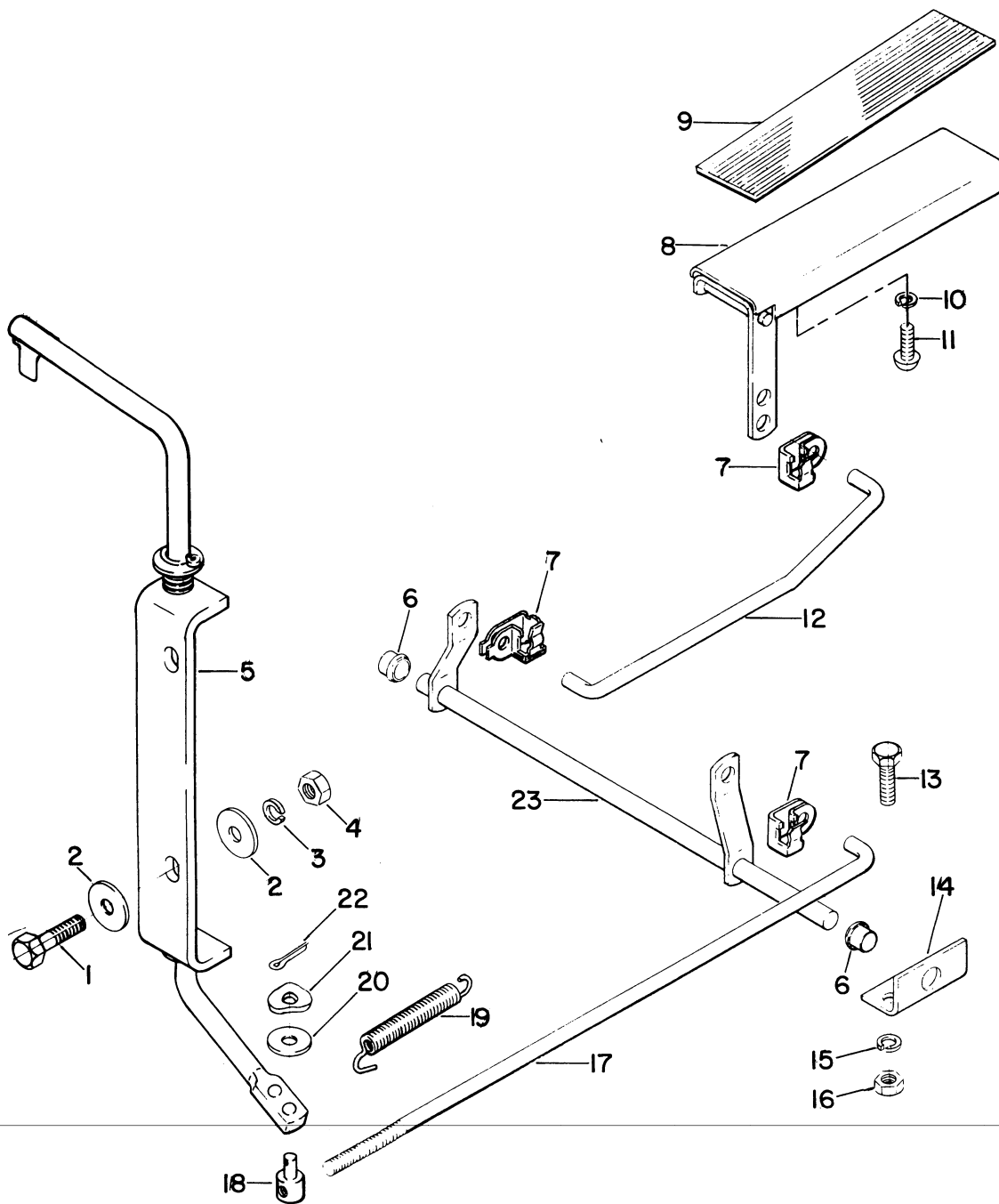
AIR SHROUDS
(Continued from page 16)

REF. NO.	PART NO.	DESCRIPTION	NO. REQ'D	REF. NO.	PART NO.	DESCRIPTION	NO. REQ'D
30	160785	Body, air mixer	1	38	800277	Screw, 1/4-20 x 5/8	10
31	160786	Shroud, left cylinder	1	39	111347	Seal, left manifold	1
32	820783	Seal, rubber	2	40	820816	Bracket, side seal	2
33	816979	Bracket, rear seal	1	41	820812	Baffle	2
34	111567	Spring	1	42	308090	Washer, 1/4	8
35	111366	Shroud, fuel pump	1	43	120052	Lockwasher, No. 10	1
36	800149	Screw, No. 10A x 3/8	2	44	111363	Shroud, rear	1
37	800172	Speed nut, No. 10A	2	45	816987	Seal, rear	1



EXHAUST SYSTEM
(1972 & Prior)

REF. NO.	PART NO.	DESCRIPTION	NO. REQ'D	REF. NO.	PART NO.	DESCRIPTION	NO. REQ'D
1	813702	Tube, right manifold	1	8	879337	Flanger, tail pipe	1
2	813700	Tube, right	1	9	306396	Lockwasher, 1/4	2
3	879194	Muffler	1	10	306375	Nut, 1/4-20 hex.	2
4	880178	Support, muffler	1	11	820889	Clamp	1
5	813689	Clamp	2	12	815424	Tube, tail pipe	1
6	306409	Screw, 1/4-20 x	2	13	813701	Tube, left manifold	1
7	814063	Clamp	1	14	813688	Clamp	6

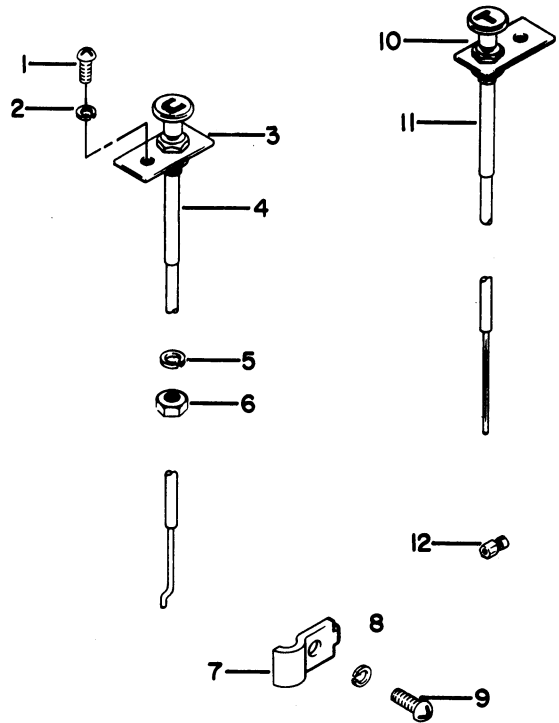


THROTTLE

Ref. No.	Part No.	Description	No. Req'd	Ref. No.	Part No.	Description	No. Req'd
1	306416	Screw, 5/16-18 x 1 hex. hd.	2	12	820931	Rod, throttle, front	1
2	103867	Washer, 5/16 plain	4	13	306487	Screw, ¼-20 x 5/8 hex. hd	2
3	306325	Lockwasher, 5/16	2	14	820933	Bracket, throttle pivot	1
4	306932	Nut, 5/16-18 hex.	2	15	306396	Lockwasher, ¼	2
5	162276	Throttle arm (1973 & Later)	1	16	306375	Nut, ¼-20 hex.	2
	160834		1	17	820932	Rod, throttle, rear	1
6	819177	Bushing	2	18	817117	Pin, connector	1
7	817303	Clip, clevis	3	19	817103	Spring	1
8	882075	Pedal, throttle	1	20	308090	Washer, ¼ plain	1
9	813884	Mat, pedal	1	21	800303	Washer, wave	1
10	120052	Lockwasher, No. 10	2	22	306328	Pin, cotter, 3/32 x ¼	1
11	800271	Screw, No. 10-24 x ½ P.T.H.	2	23	882119	Bellcrank, throttle	1

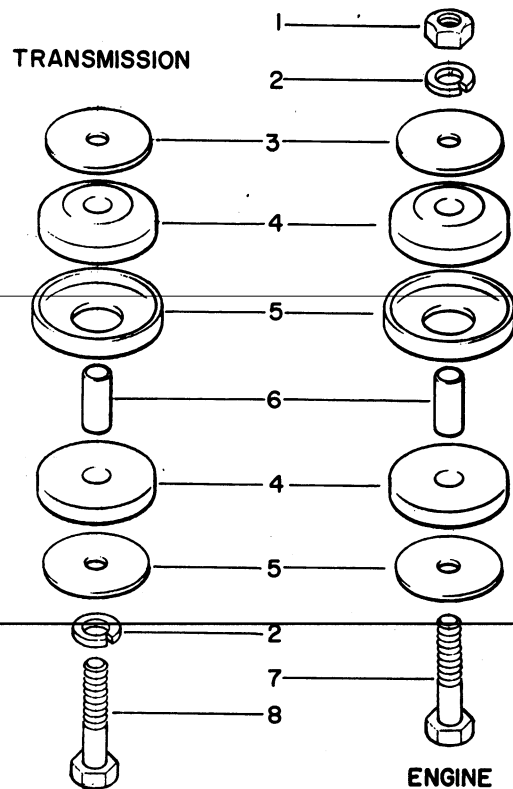
HAND CONTROLS, CHOKE AND THROTTLE

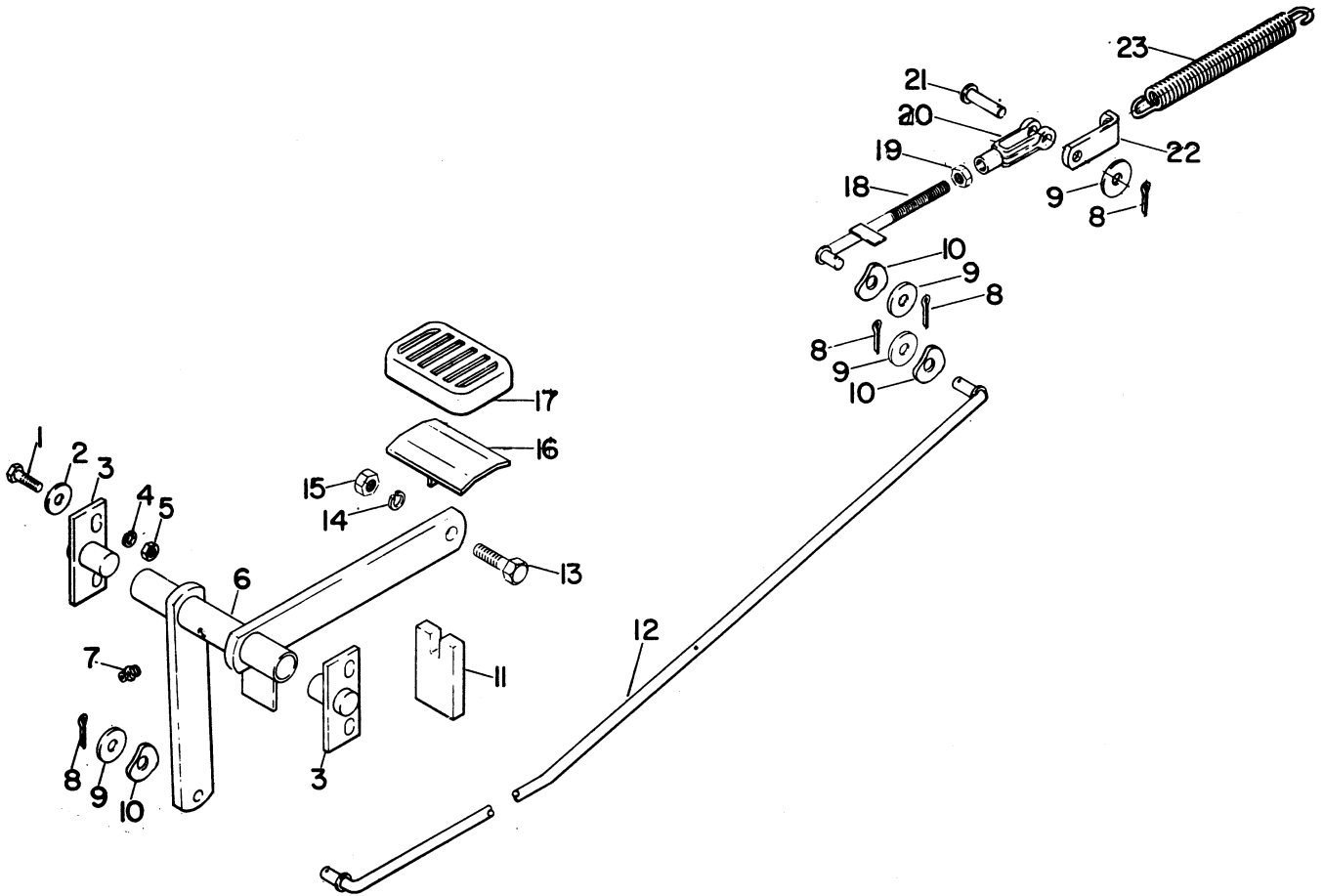
REF. NO.	PART NO.	DESCRIPTION	NO. REQ'D
1	800019	Screw, 1/4-20 x 1/2	2
2	306396	Lockwasher, 1/4	2
3	880627	Bracket, cable	2
4	814065	Cable, choke	1
5	120177	Lockwasher, 3/8	2
6	306388	Nut, 3/8-24	2
7	111898	Clamp	2
8	120052	Lockwasher, No. 10	2
9	306460	Screw, No. 10-24 x 3/8	2
10	880817	Bracket (for 817425 cable)	1
		or	
	880627	Bracket, cable	2
11	817425	Cable, throttle, locking	1
		or	
	816625	Cable, throttle	1
12	817104	Stop, throttle cable	1



TRANSMISSION AND ENGINE MOUNTS

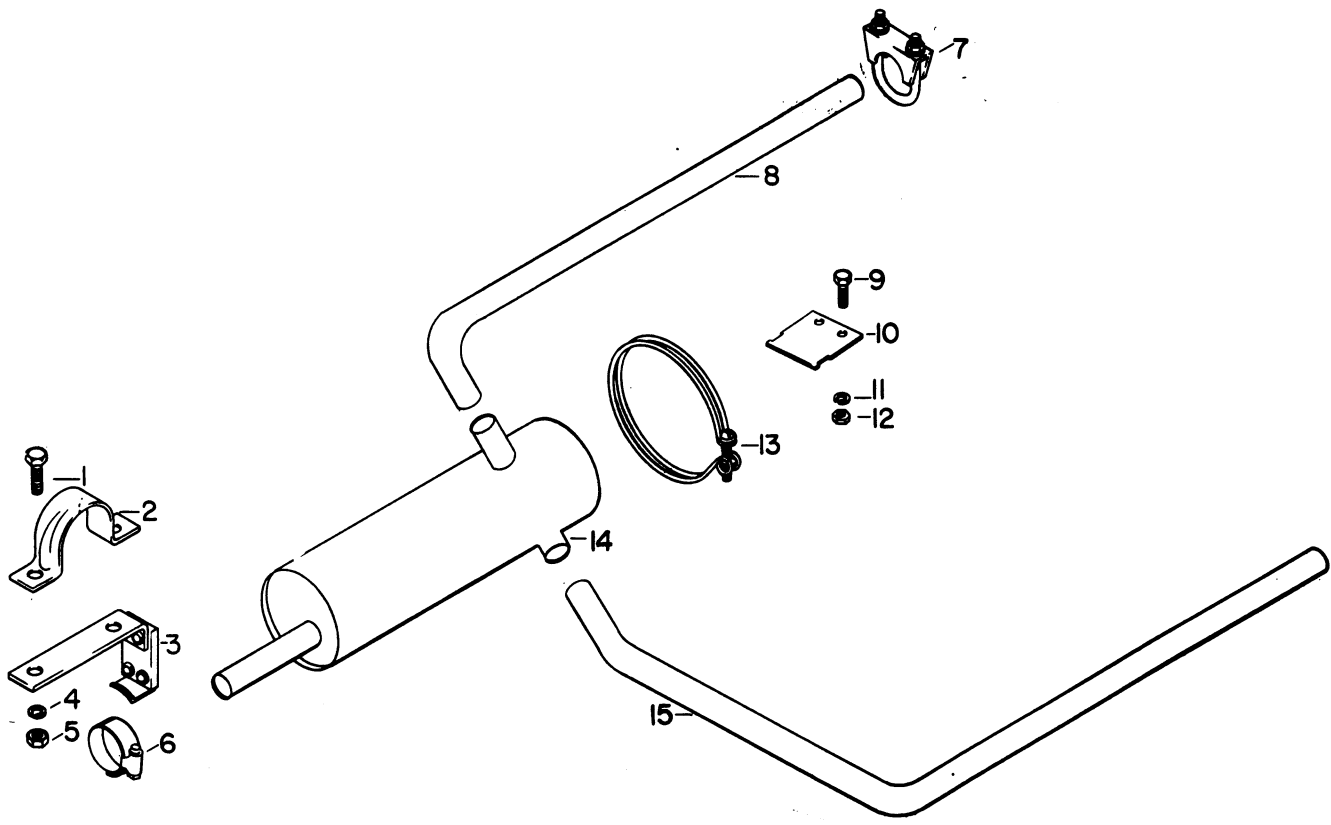
REF. NO.	PART NO.	DESCRIPTION	NO. REQ'D
1	306562	Nut, 3/8-16 hex.	2
2	120177	Lockwasher, 3/8	4
3	809174	Washer	8
4	806493	Mount, rubber	8
5	809242	Retainer, mount	4
6	808959	Spacer	4
7	311391	Screw, 3/8-16 x 4 hex. hd.	2
8	306836	Screw, 3/8-16 x 2 1/4 hex. hd.	2





CLUTCH CONTROLS

REF. NO.	PART NO.	DESCRIPTION	NO. REQ'D	REF. NO.	PART NO.	DESCRIPTION	NO. REQ'D
1	306487	Screw, 1/4-20 x 5/8 hex. hd.	4	13	306414	Screw, 3/8-16 x 1 hex. hd.	1
2	308090	Washer, 1/4 plain	4	14	120177	Lockwasher, 3/8	1
3	882064	Pin, pivot	2	15	306562	Nut, 3/8-16 hex.	1
4	306396	Lockwasher, 1/4	4	16	878548	Pedal	1
5	306375	Nut, 1/4-20 hex.	4	17	810152	Pad, pedal	1
6	882062	Pivot, clutch	1	18	883668	Rod, clutch, rear	1
7	807439	Lubrication fitting	1	19	306320	Nut, 5/16-24 hex.	1
8	306328	Pin, cotter 3/32 x 3/4	4	20	810722	Connector	1
9	103867	Washer, 5/16 plain	4	21	814079	Pin, connector	1
10	800254	Wave washer	3	22	808638	Bracket, spring	1
11	820964	Seal	2	23	805376	Spring	1
12	820928	Rod, clutch front	1				



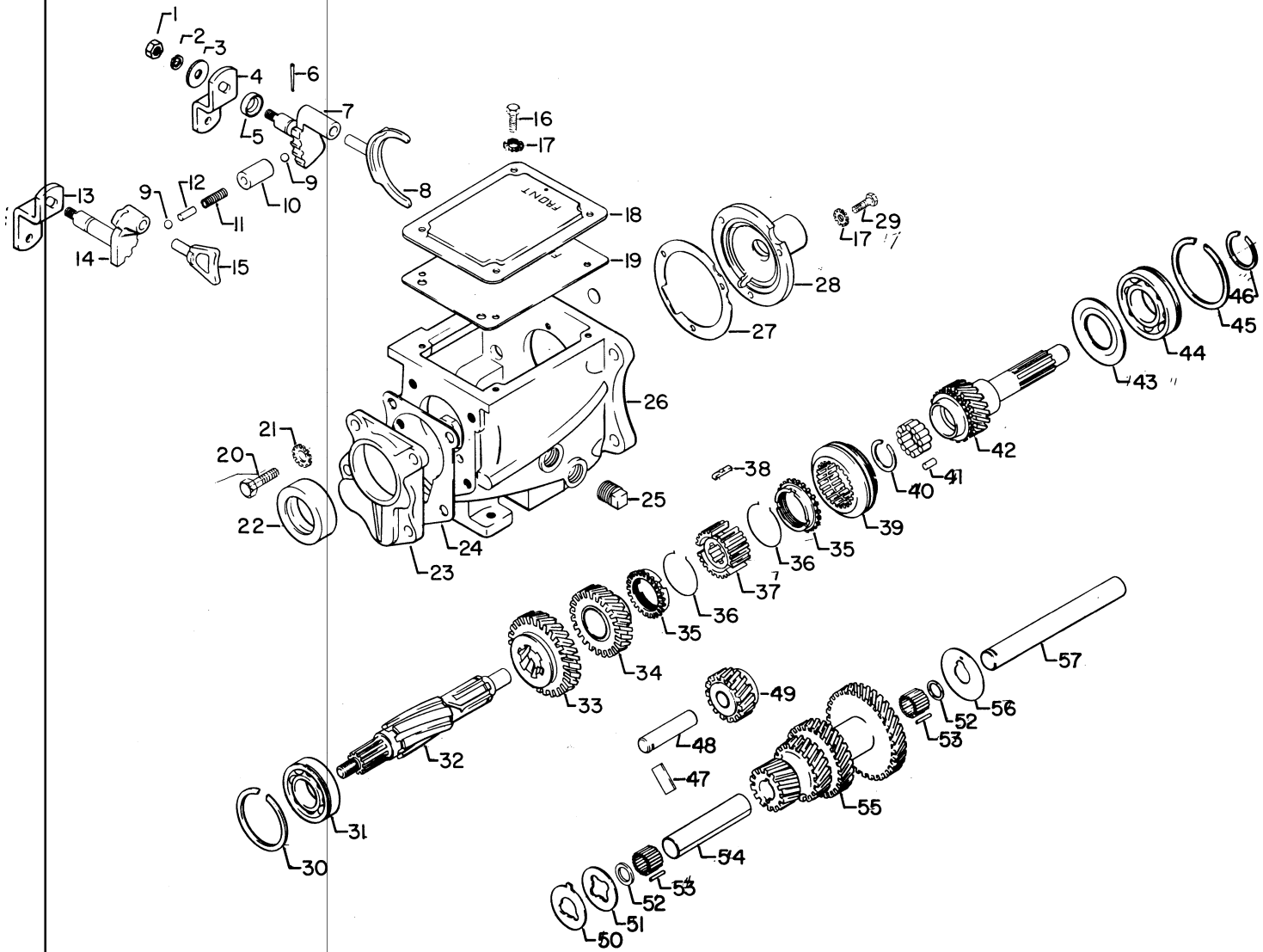
EXHAUST SYSTEM
(1973 & Later)

Ref. No.	Part No.	Description	No. Req'd	Ref. No.	Part No.	Description	No. Req'd
1	306409	Screw, 1/4-20	2	9	306487	Screw, 1/4-20 x 5/8	2
2	814063	Clamp	1	10	822979	Support, muffler	1
3	879337	Hanger, tail pipe	1	11	306396	Lockwasher	2
4	306396	Lockwasher	2	12	306375	Nut, 1/4-20 hex.	2
5	306375	Nut, 1/4-20 hex.	2	13	813689	Clamp, muffler	1
6	813689	Clamp, muffler	1	14	882906	Muffler assembly	1
7	813688	Clamp	4	15	822928	Tube, right exhaust	1
8	822926	Tube, left exhaust	1				

**TRANSMISSION
(ONE-PIECE CASE)**
(Illustrated on page 23)

REF. NO.	PART NO.	DESCRIPTION	NO. REQ'D	REF. NO.	PART NO.	DESCRIPTION	NO. REQ'D
	812909	Transmission, complete	1	27	814641	Gasket, retainer	1
1	306932	. Nut, 5/16-18	2	28	814640	. Retainer, bearing	1
2	306325	. Lockwasher, 5/16	2	29	306322	. Screw, 5/16-18 x 7/8	3
3	103867	. Washer, 5/16	2	30	814628	. Retaining ring	1
4	813229	. Shifter, arm, second/high	1	31	814627	. Bearing, ball	1
5	814601	. Oil Seal, shifter shaft	2	32	814618	. Main shaft	1
6	814614	. Taper pin	2	33	814626	. Gear, low/reverse	1
7	814602	. Shifter lever, second/high	1	34	818458	. Gear, w/bushing, second	1
8	814606	. Shifter fork, second/high	1	35	814624	. Ring, synchronizer	2
9	800131	. Ball, interlock 5/16	2	36	814622	. Spring, synchronizer	2
10	814609	. Sleeve, 1.299 long	1	37	818457	. Hub, second/high clutch	1
		or		38	814621	. Plate, shifting	3
	814610	. Sleeve, 1.295 long	1	39	814620	. Sleeve, second/high clutch	1
		or		40	814625	. Retaining ring, hub	1
	814611	. Sleeve, 1.291 long	1	41	814649	. Bearing, roller	13
		or		42	814642	. Gear, main drive	1
	814612	. Sleeve, 1.287 long	1	43	814648	. Oil baffle	1
		or		44	814643	. Bearing, ball	1
	814613	. Sleeve, 1.303 long	1	45	814644	. Retaining ring	1
11	814608	. Spring, interlock	1	46	814645	. Retaining ring, .091 thick	1
12	814615	. Pin, interlock	1			or	
13	813230	. Shifter arm, low/reverse	1		814646	. Retaining ring, .095 thick	1
14	814603	. Shifter lever, low/reverse	1			or	
15	814607	. Shifter fork, low/reverse	1		814647	. Retaining ring, .098 thick	1
16	306555	. Screw, 5/16-18 x 5/8	4	47	814638	. Lock plate	1
17	306799	. Lockwasher, 5/16	7	48	814637	. Shaft, reverse idler	1
18	814616	. Cover, case	1	49	814639	. Gear, w/bushing, idler	1
19	814617	. Gasket, cover	1	50	814635	. Washer, thrust	1
20	308880	. Screw, 7/16-14 x 7/8	4	51	819044	. Washer, thrust	1
21	304161	. Lockwasher, 7/16	4	52	814631	. Spacer, bearing	2
22	814653	. Oil seal, main shaft	1	53	814634	. Bearing, roller	40
23	814651	. Retainer, bearing	1	54	814630	. Spacer, bearing	1
24	814652	. Gasket, retainer	1	55	814629	. Gear, (includes 819044)	1
25	800113	. Plug, drain and filler	2	56	814632	. Washer, thrust	1
26	814600	. Case	1	57	814636	. Countershaft	1

INDENTED PART NAMES INDICATE THESE PARTS ARE INCLUDED IN PREVIOUS ASSEMBLY



**TRANSMISSION
(ONE-PIECE CASE)**

(List on page 22)

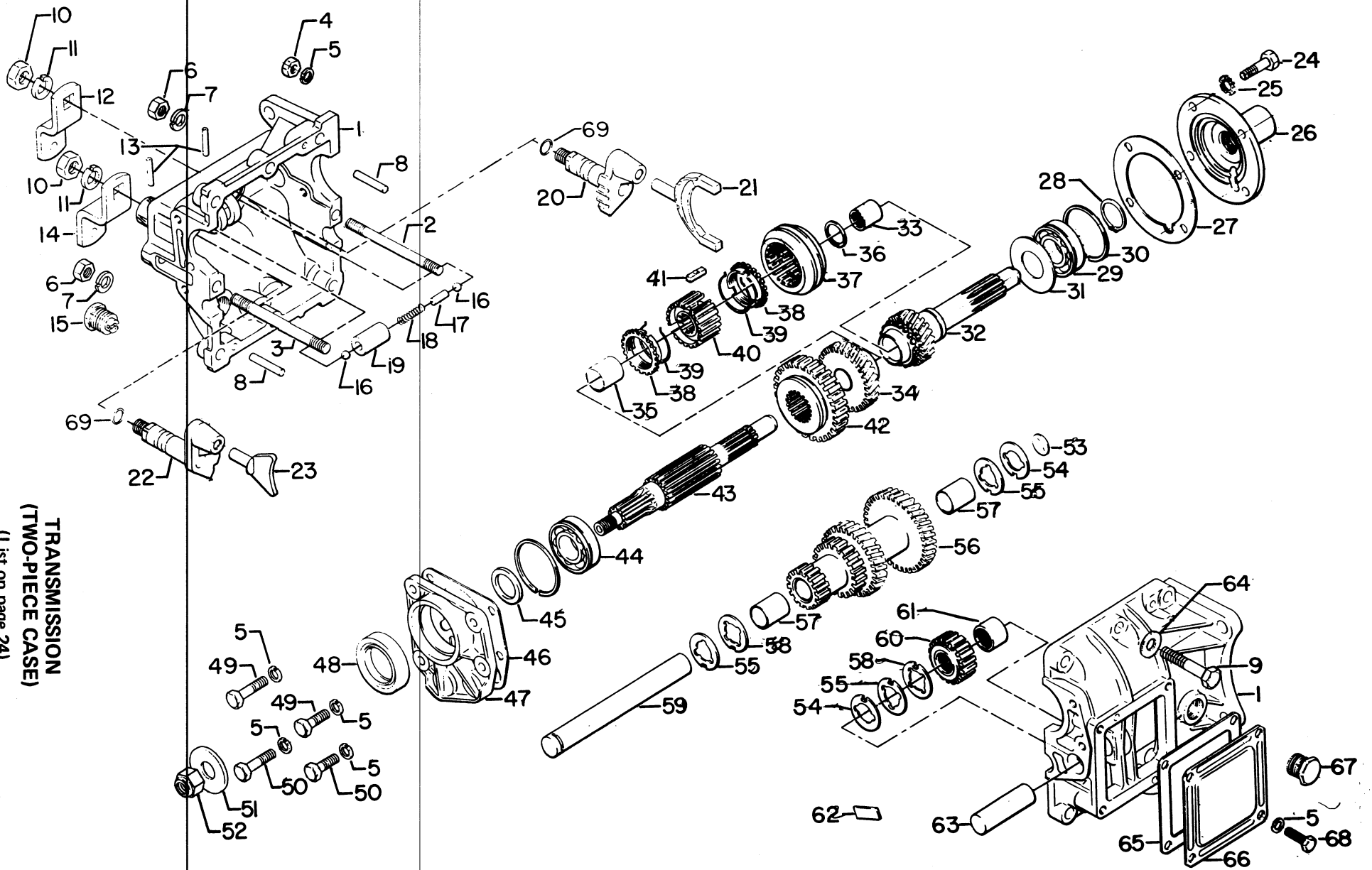
**TRANSMISSION
(TWO-PIECE CASE)
(Illustrated on page 25)**

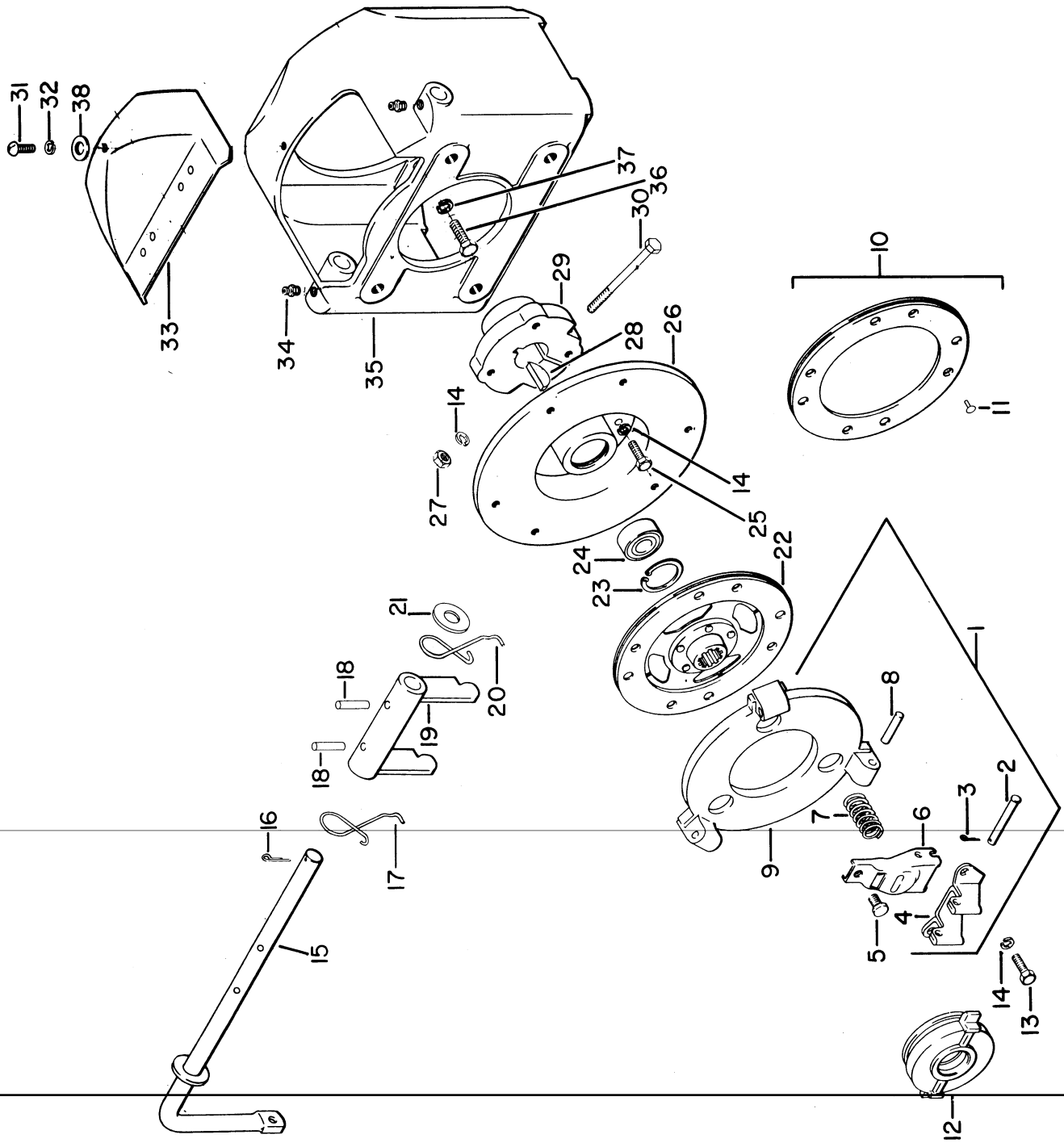
Ref. No.	Part No.	Description	No. Req'd	Ref. No.	Part No.	Description	No. Req'd
	880572	Transmission, less P.T.O.	1	30	814628	. . Retaining ring	1
1	879798	. Case, transmission	1	31	809211	. Slinger	1
2	815134	. . Stud, front, 5/16	1	32	879804	. Gear, main drive, w/bearing	1
3	815133	. . Stud, rear, 3/8	1	33	815171	. . Bearing, main drive	1
4	306932	. . Nut, 5/16-18	1	34	879803	. Gear, second, w/bushing	1
5	306325	. . Lockwasher, 5/16	9	35	815163	. . Bushing, second gear	1
6	306562	. . Nut, 3/8-16	7	36	815169	. Ring, retaining, clutch hub	1
7	120177	. . Lockwasher, 3/8	7	37	815166	. Sleeve, second/high clutch	1
8	305070	. . Pin, taper	2	38	815164	. Ring, synchronizer	2
9	131794	. . Screw, 3/8-16 x 2	6	39	815168	. Spring, synchronizer	2
10	301988	. . Nut, 1/2-20	2	40	815165	. Hub, second/high clutch	1
11	120166	. Lockwasher, 1/2	2	41	815167	. Plate, shifting	3
12	815146	. Shifter arm, second/high	1	42	815161	. Gear, low/reverse	1
13	603102	. Pin, spiral	2	43	815159	. Main shaft	1
14	815145	. Shifter arm, low/reverse	1	44	815160	. Ball bearing, w/ring	1
15	111074	. Plug, drain, magnetic	1	45	815180	. Spacer	1
16	800131	. Ball, 5/16	2	46	815175	. Gasket, retainer	1
17	815137	. Pin, interlock	1	47	815176	. Retainer, bearing	1
18	815138	. Spring, interlock	1	48	815177	. Oil seal, main shaft	1
19	815139	. Sleeve, 1.259" long	1	49	306416	. Screw, 5/16-18 x 1	2
		or		50	306435	. Screw, 5/16-18 x 1 1/4	2
	815140	. Sleeve, 1.255" long, "A"	1	51	809180	. Washer, 1/2	1
		or		52	800198	. Nut, 1/2-20	1
	815141	. Sleeve, 1.251" long, "B"	1	53	823544	. Plug, expansion	2
		or		54	815150	. Washer, thrust, .024 thick	*
	815142	. Sleeve, 1.247" long, "C"	1	55	815154	. Washer, thrust, .036 thick	*
		or		56	879802	. Gear, cluster, w/bushings	1
	815143	. Sleeve, 1.243" long, "D"	1	57	815153	. . Bushing, cluster gear	2
	822238	. Sleeve, 1.263	1	58	816503	. Washer, thrust, .048 thick	*
	822239	. Sleeve, 1.267	1	59	815155	. Countershaft	1
20	879800	. Shifter lever, second/high	1	60	879801	. Gear, idler, w/bearing	1
21	815158	. Shifter fork, second/high	1	61	815149	. . Bearing, idler	1
22	879799	. Shifter lever, low/reverse	1	62	815156	. Lock plate	1
23	815157	. Shifter fork, low/reverse	1	63	815151	. Shaft, reverse idler	1
24	306322	. Screw, 5/16-18 x 7/8	4	64	306981	. Washer, 3/8	6
25	815755	. Lockwasher, 5/16	4	65	815178	. Gasket, P.T.O. side plate	1
26	815174	. Retainer, bearing	1	66	815179	. Cover, side plate, P.T.O.	1
27	815173	. Gasket, retainer	1	67	111071	. Plug, filler	1
28	809254	. Retaining ring	1	68	306450	. Screw, 5/16-18 x 3/4	4
29	814627	. Ball bearing, w/ring	1	69	807624	"O" Ring	2

*As required

INDENTED PART NAMES INDICATE THESE PARTS ARE INCLUDED IN PREVIOUS ASSEMBLY

TRANSMISSION
(TWO-PIECE CASE)
(List on page 24)



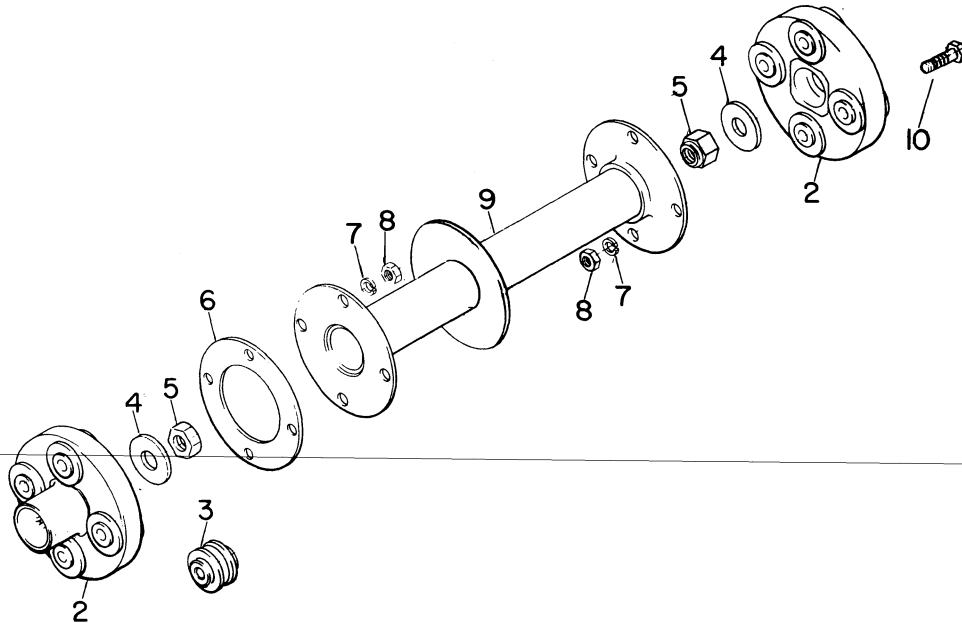


CLUTCH
(List on page 27)

CLUTCH
(Illustrated on page 26)

Ref. No.	Part No.	Description	No. Req'd	Ref. No.	Part No.	Description	No. Req'd
1	882339	Pressure plate	1	20	812903	Spring	1
2	812914	Pin	3	21	809155	Washer	1
3	306372	Cotter pin, 3/32 x 1/2	3	22	882343	Disc, driven	1
4	812913	Bracket	3	23	809260	Retaining ring	1
5	812917	Screw	3	24	812899	Bearing, pilot	1
6	812916	Lever	3	25	306416	Screw, 5/16-18 x 1	3
7	879552	Spring set, incl. three	1	26	812898	Plate	1
8	812912	Pin	3	27	306932	Nut, 5/16-18	1
9	812911	Pressure plate	1	28	307662	Key, No. 15 woodruff	1
10	878856	Lining set	1	29	812896	Adapter	1
11	800222	Rivet	8	30	131590	Screw, 5/16-18 x 3	1
12	882134	Throwout bearing	1	31	306460	Screw, No. 10-24 x 3/8	1
13	306555	Screw, 5/16-18 x 5/8	6	32	120052	Lockwasher, No. 10	1
14	306325	Lockwasher, 5/16	10	33	878869	Cover, clutch	1
15	878855	Lever, throwout	1	34	807442	Lubrication fitting, 90°	2
16	120219	Cotter pin, 3/32 x 1	1	35	812897	Housing	1
17	812902	Spring	1	36	130538	Screw, 7/16-14 x 1 1/4	4
18	306971	Roll pin, 3/16 x 1 1/8	2	37	303269	Lockwasher, 7/16	4
19	878854	Yoke release	1	38	308089	Washer, No. 10	1

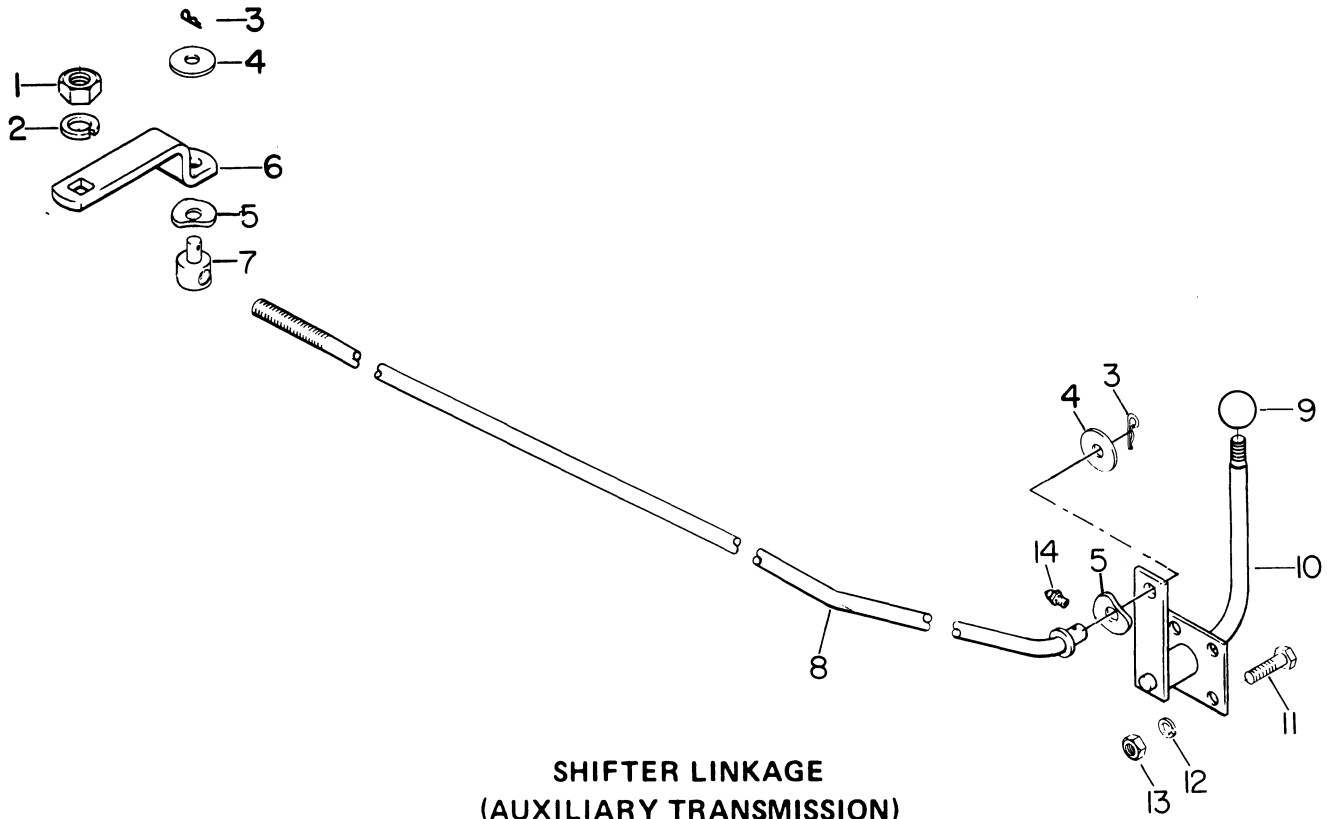
INDENTED PART NAMES INDICATE THESE PARTS ARE INCLUDED IN PREVIOUS ASSEMBLY



DRIVE SHAFT
(1973 & Later)

Ref. No.	Part No.	Description	No. Req'd	Ref. No.	Part No.	Description	No. Req'd
2	878534	Coupling, w/bushings	2	7	306325	Lockwasher, 5/16	8
3	810143	-Bushing	8	8	306932	Nut, 5/16-18	8
4	809180	Washer, 1/2	2	9	882986	Driveshaft, 9 3/8" long	1
5	800198	Nut, 1/2-20 Hex.	2		882985	Driveshaft, 4 3/32" long	1
6	812327	Spacer, drive shaft	3	10	306423	Screw, 5/16-18 x 1 1/4	8

INDENTED PART NAMES INDICATE THESE PARTS ARE INCLUDED IN PREVIOUS ASSEMBLY



**SHIFTER LINKAGE
(AUXILIARY TRANSMISSION)
(1973 & Later)**

Ref. No.	Part No.	Description	No. Req'd	Ref. No.	Part No.	Description	No. Req'd
1	130541	Nut, 1/2"	1	8	823040	Rod, shifter	1
2	120166	Lockwasher, 1/2"	1	9	812997	Knob	1
3	821164	Hair pin	2	10	880804	Lever	1
4	306981	Washer, 3/8	2	11	306487	Screw, 1/4	2
5	800254	Washer, wave 3/8"	2	12	306396	Lockwasher, 1/4	2
6	817375	Arm, shifter	1	13	306375	Nut, 1/4	2
7	817387	Pin, connector	1	14	807439	Lubrication fitting	1

**AUXILIARY TRANSMISSION
(Illustrated on page 29)**

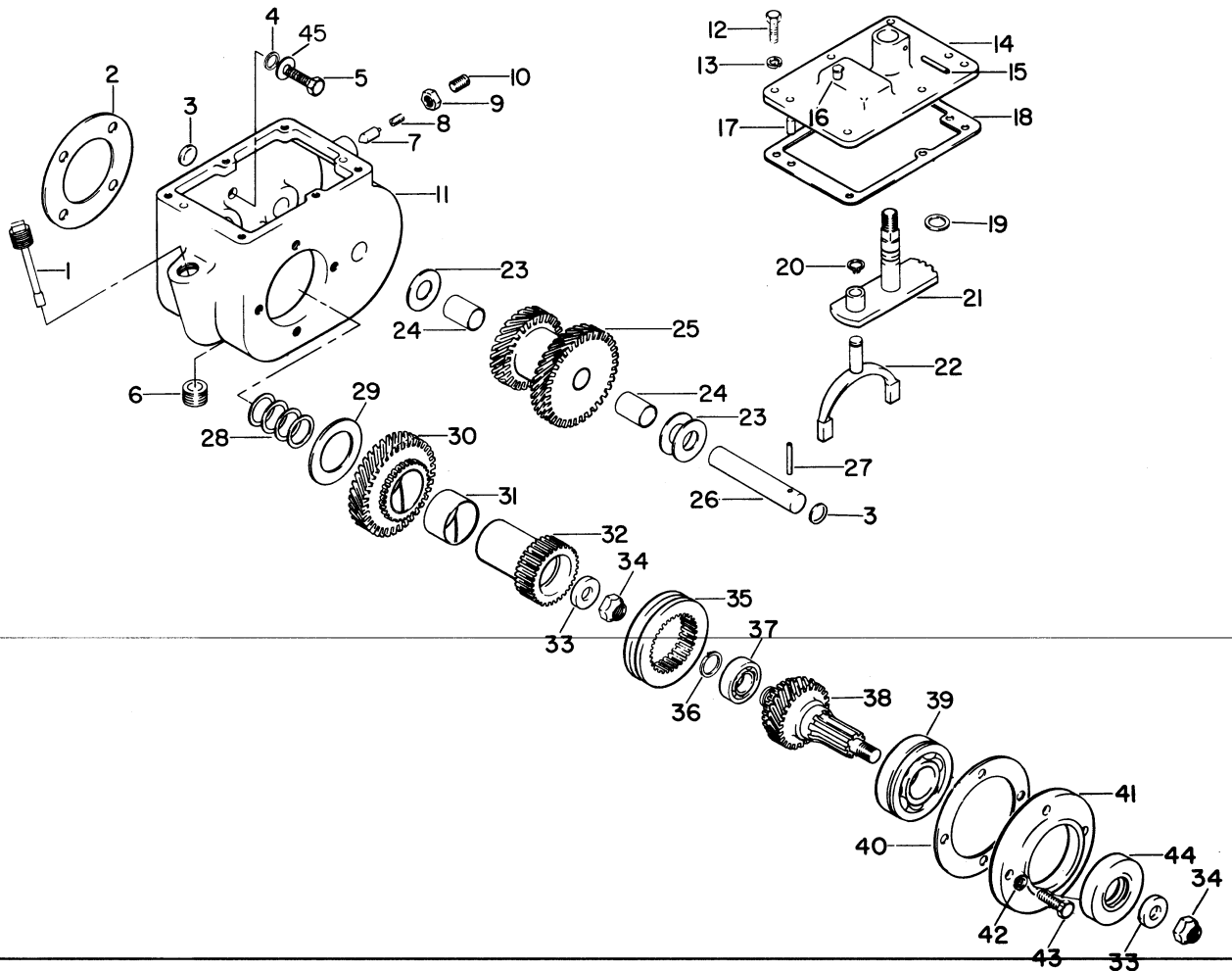
Ref. No.	Part No.	Description	No. Req'd	Ref. No.	Part No.	Description	No. Req'd
1	880145	Dipstick	1	17	806711	Dowell pin, cover	2
2	812000	Gasket, pinion flange	1	18	812001	Gasket, cover	1
3	805893	Plug, expansion	2	19	807624	"O" ring, shaft	1
4	553542	Gasket, retaining screw	4	20	812011	Retaining ring	1
5	131794	Screw, 3/8-16 x 2	4	21	880143	Arm, shifter	1
6	111071	Drain plug	1	22	812010	Fork, shifter	1
7	807366	Button, positioning	1	23	811992	Shim, cluster gear	2
8	805407	Spring, positioning	1	24	812004	Bushing, cluster	2
9	304632	Nut, 3/8-16	1	25	878805	Gear, cluster w/bushings (No. 24)	1
10	800095	Set screw, 3/8-16 x 5/8	1	26	811997	Jack shaft	1
11	811994	Case	1	27	307785	Roll pin, 5/32 x 1 1/4	1
12	300646	Screw, 1/4-20 x 3/4	6	28	815697	Shim, main shaft, .005	*
13	306396	Lockwasher, 1/4	6			or	
14	815706	Cover	1		815698	Shim, main shaft, .010	*
15	306967	Roll pin, 1/8 x 1 1/8	1			or	
16	807441	Cover, oil hole	1		815699	Shim, main shaft, .030	*

(Continued on page 29)

* As required

AUXILIARY TRANSMISSION

Ref. No.	Part No.	Description	No. Req'd	Ref. No.	Part No.	Description	No. Req'd
29	811993	Bearing washer	1	37	812009	Bearing, drive gear pilot	1
30	878806	Gear, driven w/bushing (No. 26)	1	38	812007	Gear, drive	1
31	812006	Bushing, driven gear	1	39	812008	Bearing, gear w/ring	1
32	811998	Shaft, main	1	40	811999	Gasket, retainer	1
33	809180	Spacer, drive gear	1	41	811995	Retainer, bearing	1
34	800198	Nut, 1/2-20	2	42	306325	Lockwasher, 5/16	4
35	811996	Collar, shifter	1	43	306416	Screw, 5/16-18 x 1	4
36	809252	Retaining ring, bearing	1	44	812335	Seal, bearing	1
				45	306405	Washer 3/8"	4



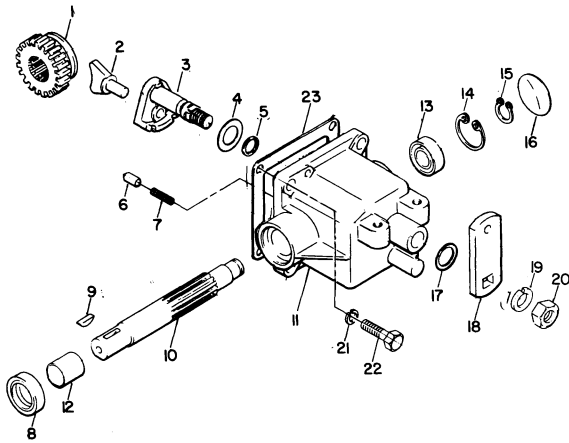
AUXILIARY TRANSMISSION
(List on pages 28 and 29)

P.T.O.

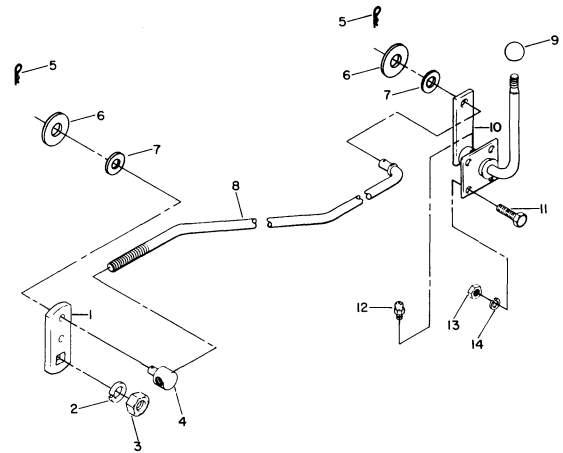
Ref. No.	Part No.	Description	No. Req'd	Ref. No.	Part No.	Description	No. Req'd
	880808	Power Take-Off, less hardware and gasket		12.	815186	. . . Bushing, housing	1
1	815182	. Gear, sliding	1	13	808082	. Bearing, ball	1
2	815085	. Fork, shifter	1	14	809260	. Snap ring	1
3	879807	. Lever, shifter	1	15	809259	. Snap ring	1
4	812419	. Shim, shifter lever	1	16	800257	. Expansion plug, 1 9/16"	1
5	807624	. "O" ring	1	17	805307	. Shim, .024" thick	*
6	815013	. Button, interlock	1	18	817397	. Shifter arm	1
7	815012	. Spring, interlock	1	19	120166	. Lockwasher, 1/2	1
8	815187	. Seal, oil shaft	1	20	301988	. Nut, 1/2-20	1
9	306367	. Key, No. 9 Woodruff	1	21	306325	Lockwasher, 4/16	4
10	815184	. Shaft	1	22	307435	Screw, 5/16-18 x 1 1/4	4
11	879808	. Housing, w/pins and bushing	1	23	815188	Gasket	1

*As required

INDENTED PART NAMES INDICATE THESE PARTS ARE INCLUDED IN PREVIOUS ASSEMBLY



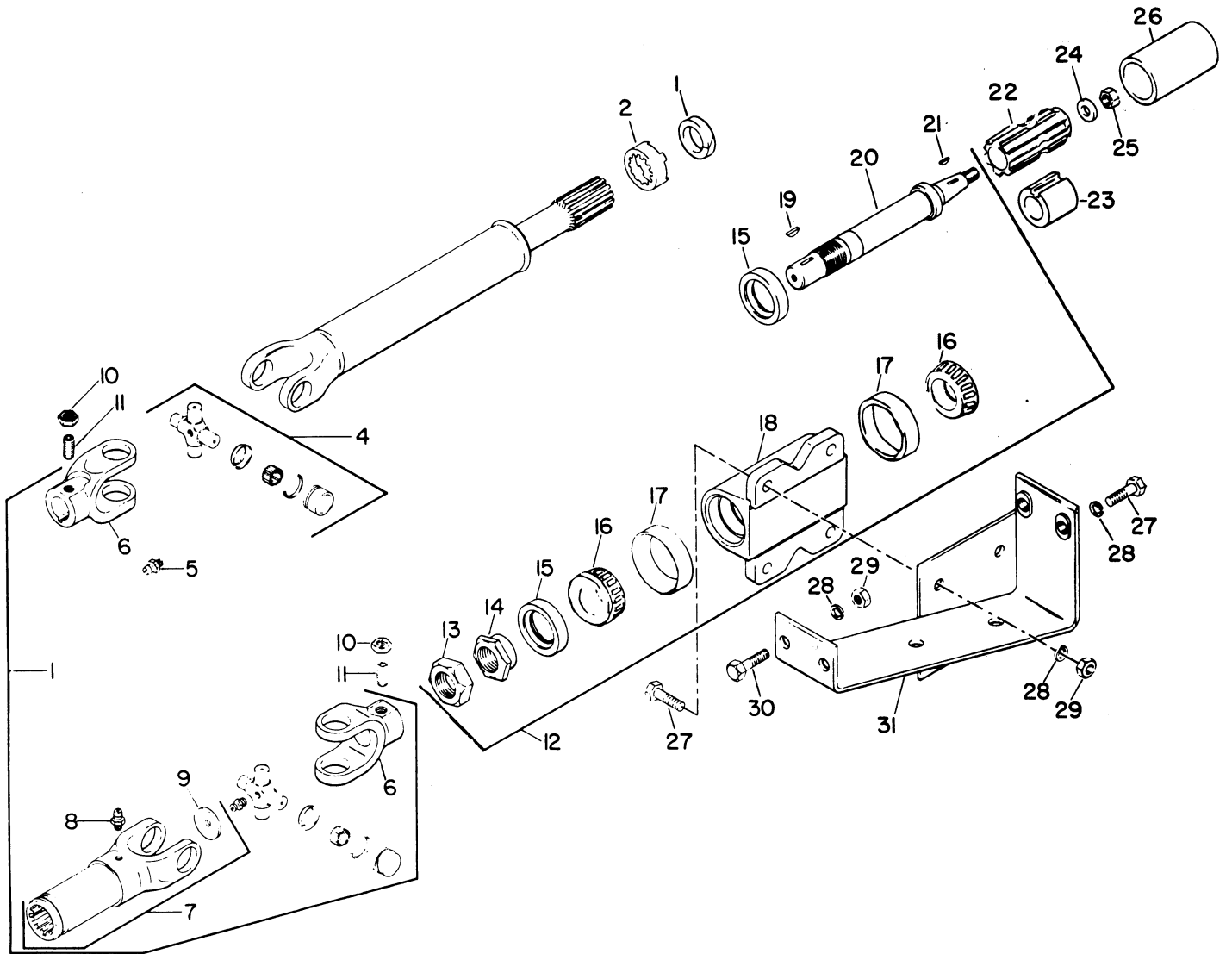
P.T.O.



P.T.O. SHIFTER
(1973 & Later)

P.T.O. SHIFTER
(1973 & Later)

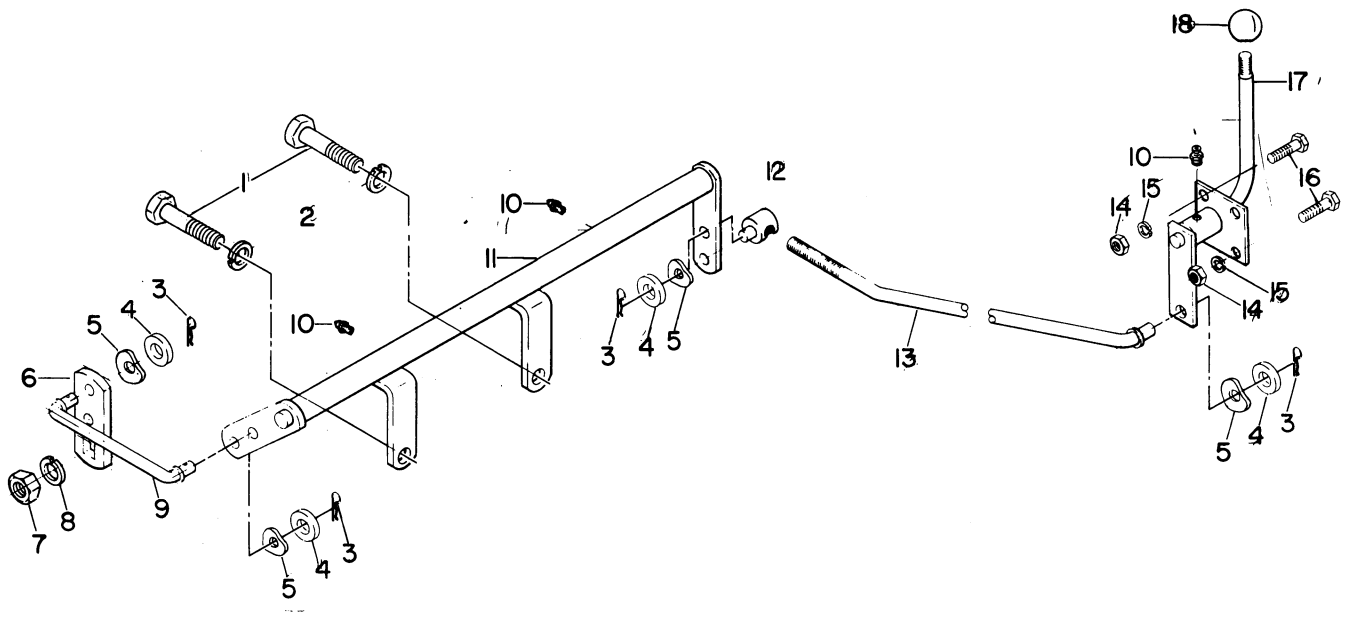
Ref. No.	Part No.	Description	No. Req'd	Ref. No.	Part No.	Description	No. Req'd
1	817397	Shifter arm, P.T.O.	1	9	812997	Knob, lever	1
2	120166	Lockwasher, 1/2	1	10	880804	Lever, shifter	1
3	301988	Nut, 1/2	1	11	306487	Screw, 1/4	2
4	817387	Connector, rod	1	12	807439	Lubrication fitting, 1/4-28	1
F	821164	Hair cotter pin	2			straight	
6	306981	Washer, 3/8	2	13	306375	Nut, 1/4	2
7	800254	Wave washer	2	14	306396	Lockwasher, 1/4	2
8	818527	Rod, shifter	1				



P. T. O. DRIVE SHAFT

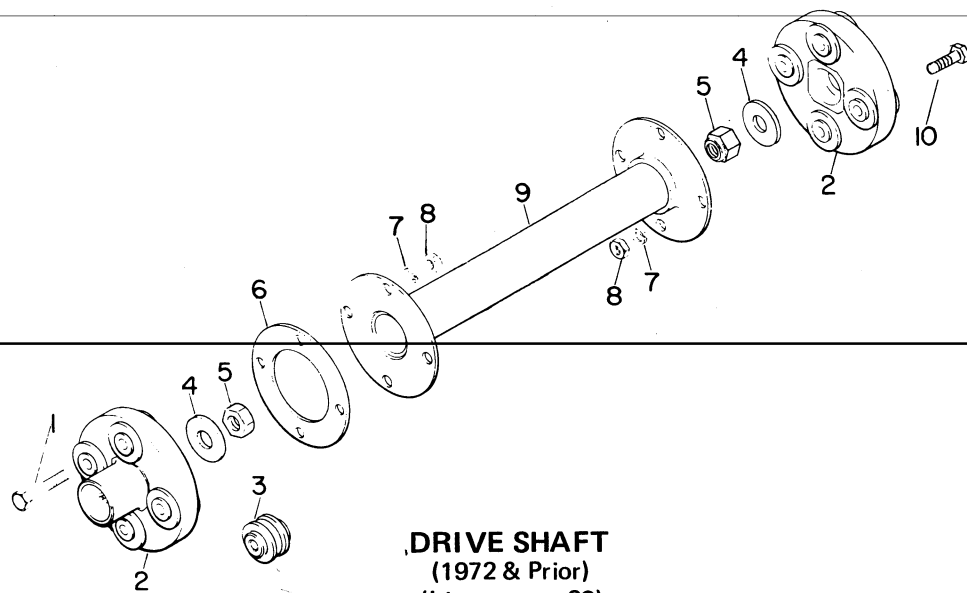
REF. NO.	PART NO.	DESCRIPTION	NO. REQ'D	PART NO.	REF. NO.	DESCRIPTION	NO. REQ'D
1	815902	Drive shaft, complete (25 5/8" max.)	1	16	814473	. Cone, bearing	2
		or		17	814474	. Cup, bearing	2
	816938	Drive shaft, complete (20 3/16" max.)	1	18	815812	. Housing, rear bearing	1
2	817427	. Seal, cork	1	19	805874	. Key	1
3	817336	. Cap, dust	1	20	880158	. Shaft	1
4	817335	. Universal joint, includes trunnion, bearings, snap ring and lubrication fitting	2	21	551041	. Key	1
5	807443	. . Fitting, lubrication	2	22	815802	Spline, extension	1
6	817447	. Yoke	2	23	816931	Adapter (model 898443)	1
7	817448	. Sleeve, w/plug and fitting	1	24	815818	Washer, spline	1
8	807439	. . Fitting, lubrication	1	25	800292	. Nut, 3/8-16	1
9	817337	. . Plug	1	26	816961	Shield, spline	1
10	304632	Nut, 3/8-16	2	27	306835	Screw, 3/8-16 x 1 1/4	6
11	800289	Screw, set, 3/8-16 x 3/4	2	28	120177	Lockwasher, 3/8	8
12	880616	Shaft, complete	1	29	306562	Nut, 3/8-16	6
13	800268	. Nut, 1-14	1	30	306539	Screw, 3/8-16 x 7/8	2
14	815814	. Nut, bearing adjusting	1	31	880228	Bracket	1
15	815816	. Seal	2		880617	Bracket, (for Model 898443)	1

INDENTED PART NAMES INDICATE THESE PARTS ARE INCLUDED IN PREVIOUS ASSEMBLY



P.T.O. SHIFTER
(1972 & Prior)

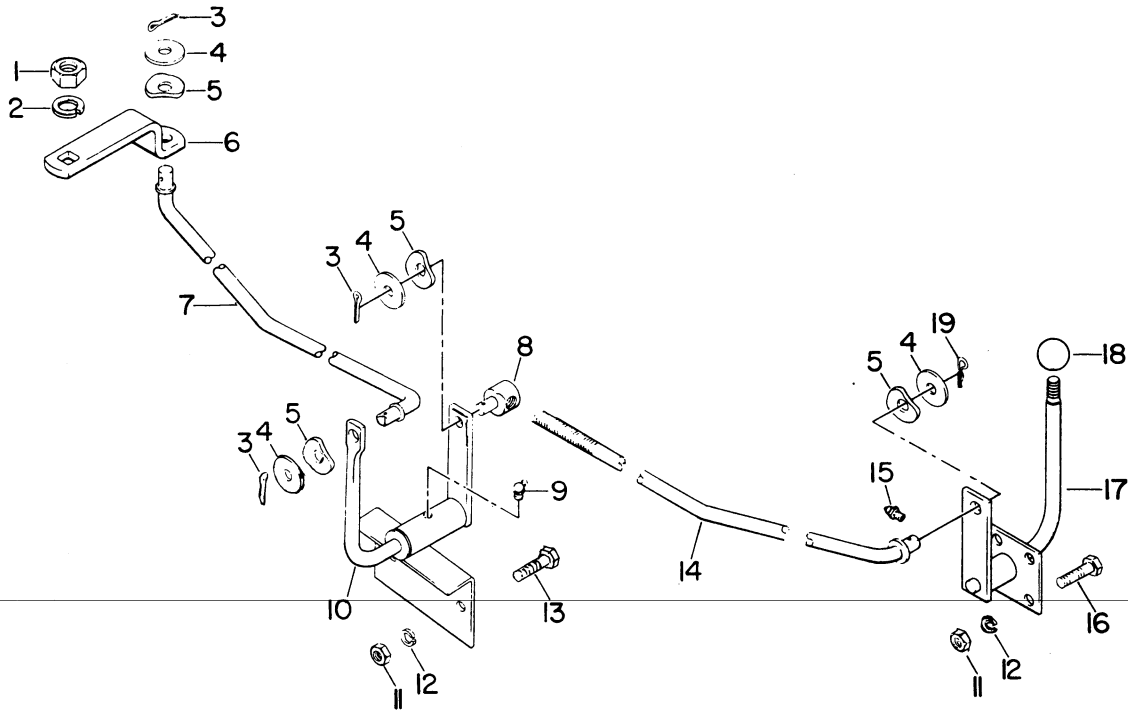
REF. NO.	PART NO.	DESCRIPTION	NO. REQ'D	REF. NO.	PART NO.	DESCRIPTION	NO. REQ'D
1	130538	Screw, 7/16-14 x 1 1/4	2	10	807439	Fitting, lubrication	3
2	303269	Lockwasher, 7/16	2	11	882270	Bellcrank	1
3	821164	Pin, hair	4	12	817387	Pin, connector	1
4	306981	Washer, 3/8	4	13	820962	Rod, front	1
5	800254	Washer, wave	4	14	306375	Nut, 1/4-20	2
6	817397	Arm, shifter	1	15	306396	Lockwasher, 1/4	2
7	301988	Nut, 1/2-20	1	16	306487	Screw, 1/4-20 x 5/8	2
8	120166	Lockwasher, 1/2	1	17	882066	Shifter lever	1
9	821422	Rod, rear	1	18	812997	Ball	1



DRIVE SHAFT
(1972 & Prior)
(List on page 33)

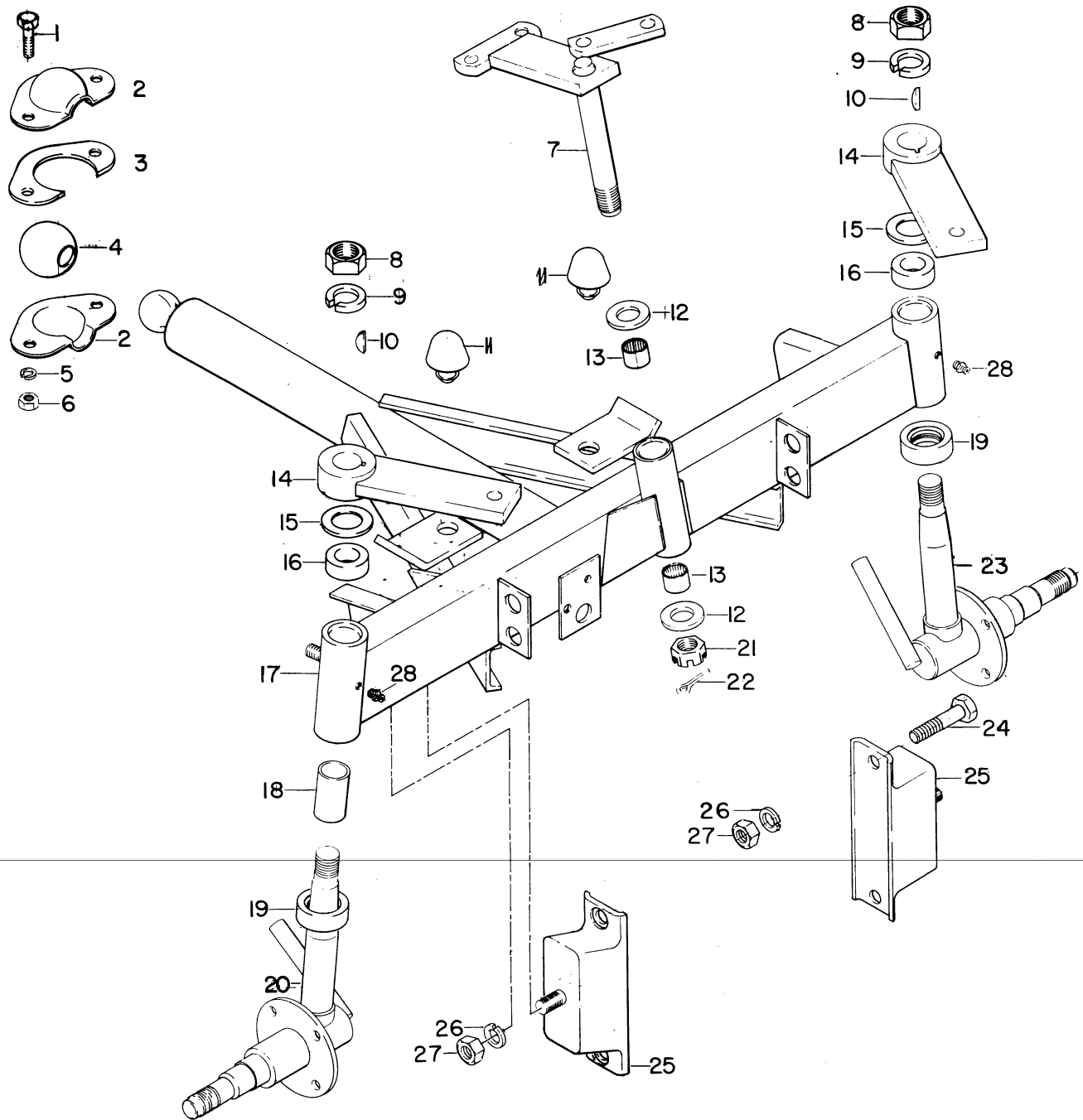
DRIVE SHAFT
(1972 & Prior)
(Illustrated on page 32)

REF. NO.	PART NO.	DESCRIPTION	NO. REQ'D	REF. NO.	PART NO.	DESCRIPTION	NO. REQ'D
1	311411	Screw, 5/16-18 x 1 5/8	4	7	306325	Lockwasher, 5/16	8
2	878534	Coupling, w/bushings	2	8	306932	Nut, 5/16-18	8
3	810143	Bushing	8	9	879935	Drive shaft, 9 3/8"	1
4	809180	Washer, 1/2	2		or		
5	800198	Nut, 1/2-20 hex.	2		880195	Drive shaft, 4 3/32"	1
6	812327	Spacer, drive shaft	3	10	306423	Screw, 5/16-18 x 1 3/4	4



AUXILIARY TRANSMISSION
SHIFTER LINKAGE
(1972 & Prior)

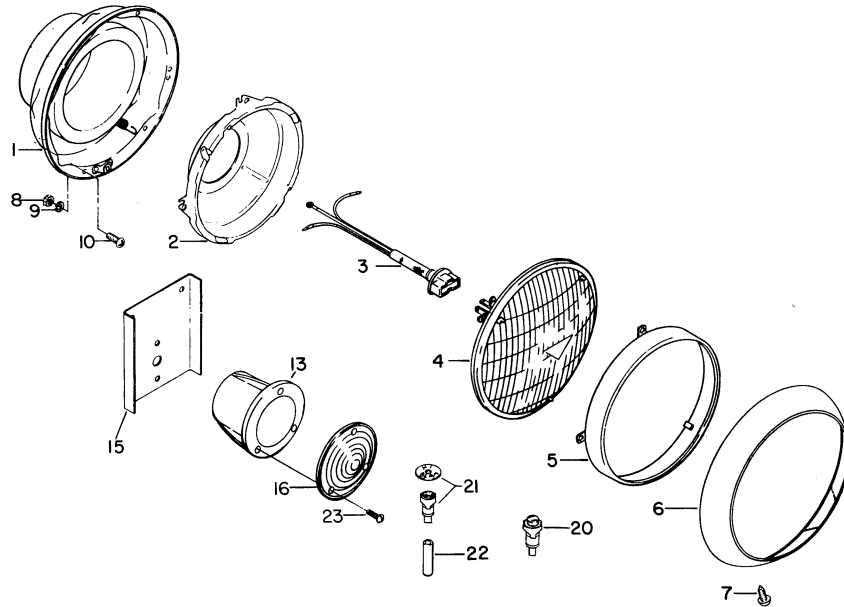
REF. NO.	PART NO.	DESCRIPTION	NO. REQ'D	REF. NO.	PART NO.	DESCRIPTION	NO. REQ'D
1	130541	Nut, 1/2-20	1	11	306375	Nut, 1/4-20	4
2	120166	Lockwasher, 1/2	1	12	306396	Lockwasher, 1/4	4
3	306328	Pin, cotter, 3/32 x 3/4	3	13	300646	Screw, 1/4-20 x 3/4	2
4	306981	Washer, 3/8	4	14	821007	Rod, front	1
5	800254	Washer, wave	4	15	807439	Fitting, lubrication	1
6	817375	Arm, shifter	1	16	306487	Screw, 1/4-20 x 5/8	2
7	817372	Rod, rear	1	17	880804	Shifter	1
8	817387	Pin, connector	1	18	812997	Knob, lever	1
9	807442	Fitting, lubrication	1	19	821164	Pin, hair	1
10	880791	Bellcrank	1				



FRONT AXLE
(List on page 35)

FRONT AXLE
(Illustrated on page 34)

REF. NO.	PART NO.	DESCRIPTION	NO. REQ'D	REF. NO.	PART NO.	DESCRIPTION	NO. REQ'D
1	306835	Screw, 3/8-16 x 1 1/4 hex. hd. . . .	2	15	817889	Washer, thrust	2
2	808382	Cap, ball joint	2	16	818219	Seal, king pin	2
3	808593	Spacer, ball joint	1	17	882060	Axle, front	1
4	810144	Bushing, ball joint	1	18	818238	Bushing, king pin	4
5	120177	Lockwasher, 3/8	2	19	817891	Bearing, king pin	2
6	306562	Nut, 3/8-16 hex.	2	20	882071	Spindle, right	1
7	882666	Bellcrank, steering	1	21	311537	Nut, 3/4-16 hex. castle	1
8	307665	Nut, 3/4-16 hex. jam	2	22	307976	Pin, cotter, 5/32 x 1 1/4	1
9	312272	Lockwasher, 3/4	2	23	882070	Spindle, left	1
10	306367	Key	2	24	306875	Screw, 1/2-20 x 1 1/2 hex. hd. . . .	4
11	813850	Bumper, travel limiting	2	25	819161	Shear mount	2
12	201131	Washer, thrust, brass	2	26	120166	Lockwasher, 1/2	6
13	808060	Bearing, needle	2	27	301988	Nut, 1/2-20 hex.	6
14	881142	Arm, steering	2	28	807439	Fitting, lubrication	2



LIGHTS

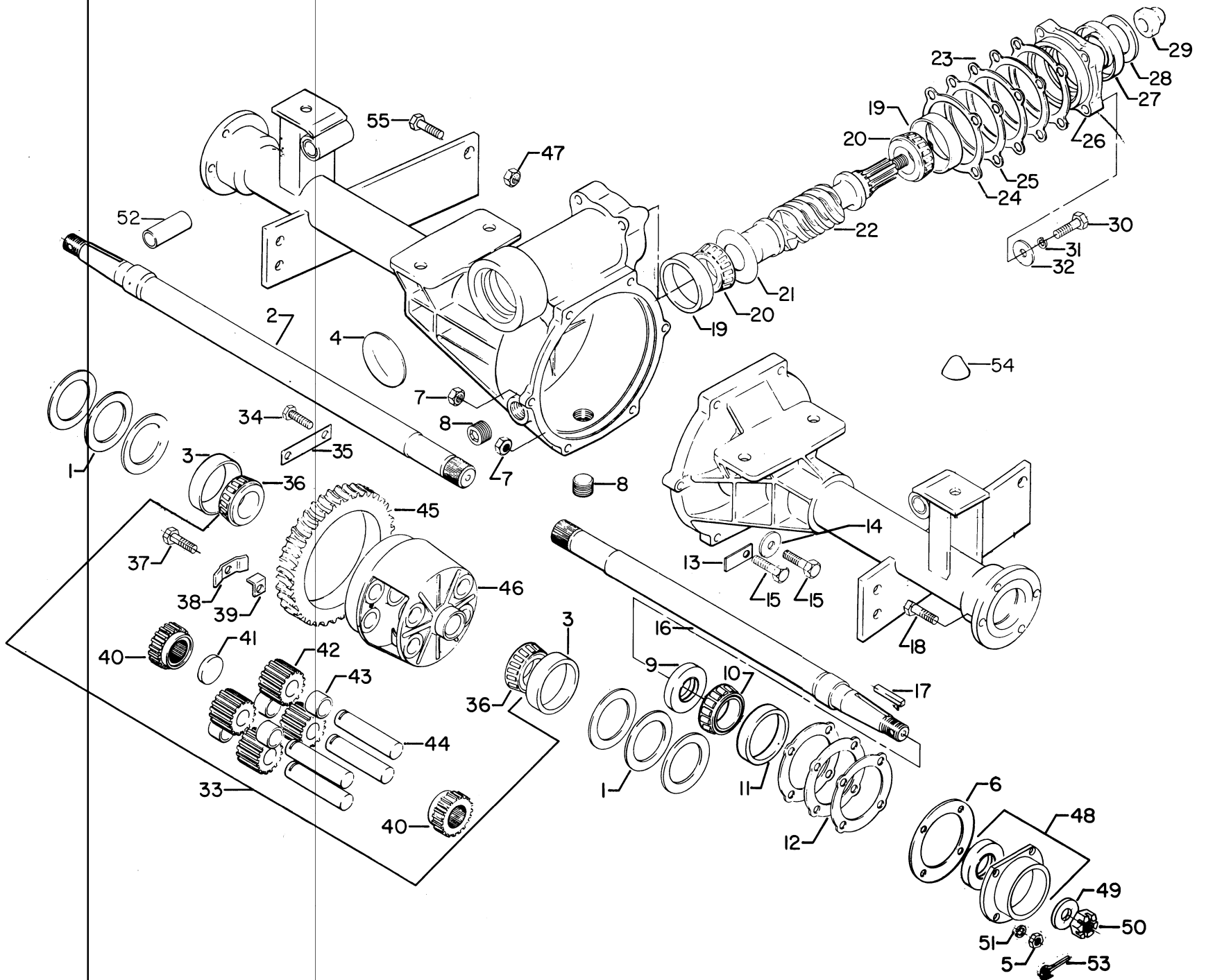
Ref. No.	Part No.	Description	No. Req'd	Ref. No.	Part No.	Description	No. Req'd
	820973	Headlight, complete	2	9	120052	Lockwasher, No. 10	12
1	821346	Body assembly	2	10	800215	Screw, No. 10-24 x 5/8	12
2	821345	Mounting ring	2	13	882851	Taillight, complete*	1
3	821347	Wire assembly	2	15	822854	Bracket, taillight mounting*	1
4	820745	Headlight	2	16	823336	Lens, red*	1
5	821344	Bulb retainer	2	20	817324	Light, oil indicator	1
6	821343	Door assembly	2	21	881295	Indicator, hi-beam	1
7	800138	Screw, No. 10 x 5/8	2	22	818829	Sleeve	1
8	306531	Nut, No. 10-24	12	23	823196	Screw, lens	3

*See pages 88 and 90 for taillights prior to 1973.

REAR AXLE
(Illustrated on page 37)

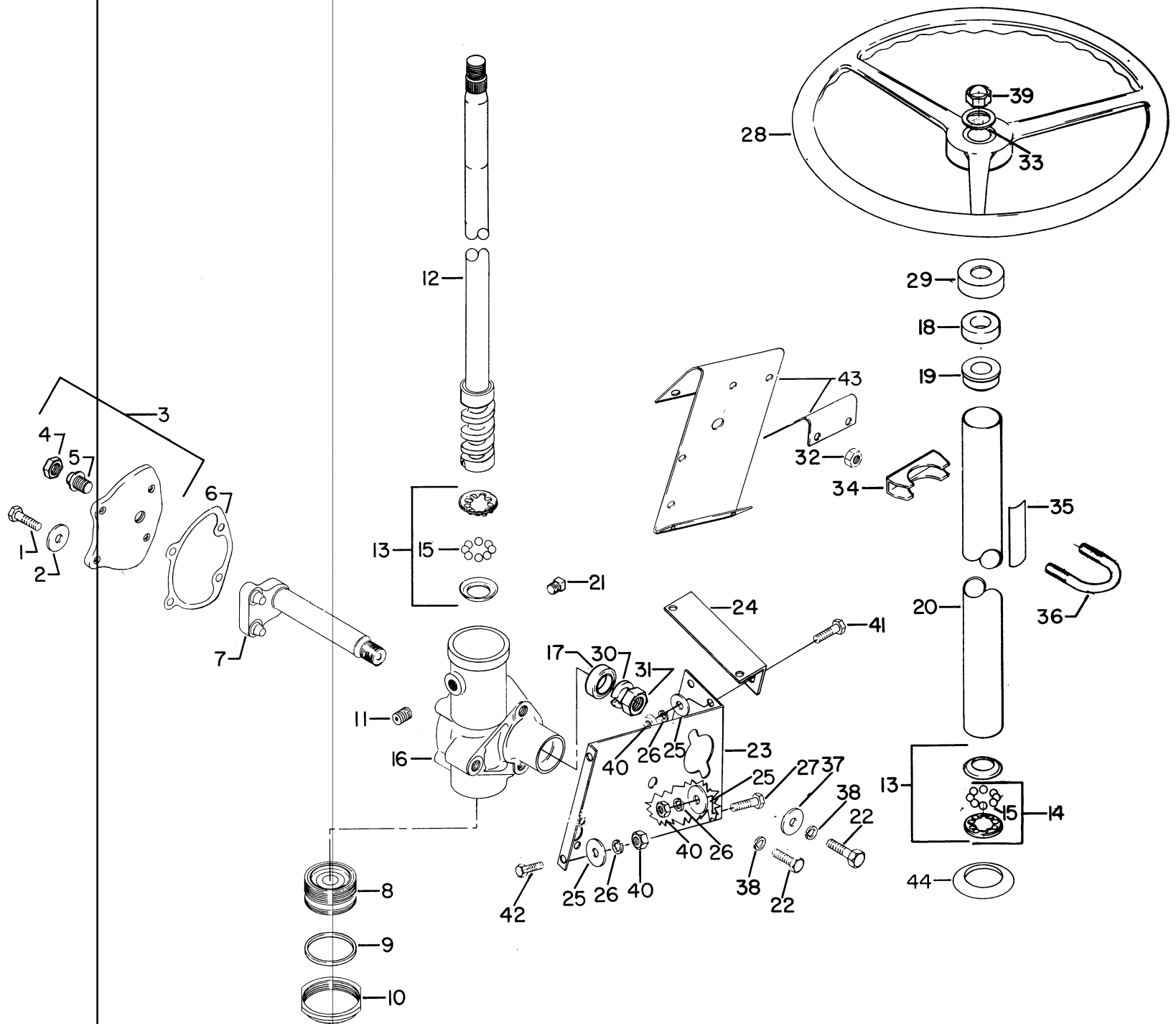
REF. NO.	PART NO.	DESCRIPTION	NO. REQ'D	REF. NO.	PART NO.	DESCRIPTION	NO. REQ'D	
1	879733	Rear axle, complete (13:1)	1	23	814466	. Shim, retainer (.005)	*	
	879750	Rear axle, complete (8.2:1)	1			or		
	879963	Rear axle, complete (10.25:1)	1		814467	. Shim, retainer (.010)	*	
	814469	. Shim, bearing (.003)	*			or		
		or			814468	. Shim, retainer (.030)	*	
	814470	. Shim, bearing (.005)	*	24	814465	. Gasket, retainer	2	
		or		25	816515	. Shim, retainer (.003)		
	814471	. Shim, bearing (.010)	*	26	814226	. Retainer, bearing		
	2	880261	. Axle, left	1	27	812335	. Seal, worm	1
	3	813470	. Cup, carrier bearing	4	28	809180	. Washer, 1/2	1
	4	800244	. Hole plug, 2 3/8	1	29	800198	. Nut, 1/2-20	1
		or		30	551094	. Screw, 3/8-16 x 1 3/4	4	
	818226	. Hole plug, 2 1/2	1	31	120177	. Lockwasher, 3/8	4	
5	306932	Nut, 5/16-18	8	32	306405	. Washer, 3/8	4	
6	808303	Gasket, retainer	2	33	879473	. Carrier complete (13:1)	1	
7	800290	. Nut, 5/16-18	6			or		
8	800231	. Plug, filler and drain	2		879749	. Carrier complete (8.2:1)	1	
9	814477	. Seal, axle	2			or		
10	814473	. Cone, axle bearing	2		879962	. Carrier complete (10.25:1)	1	
11	814474	. Cup, axle bearing	2	34	816812	. . Screw, special	1	
12	805320	. Shim (.005)		35	815794	. . Plate, lock	1	
	or			36	813471	. . Cone, bearing	2	
	805321	. Shim (.010)		37	306555	. . Screw, 5/16-18 x 5/8	2	
	or			38	816823	. . Plate, retainer	2	
	805322	. Shim (.030)		39	816824	. . Plate, lock	2	
13	814851	. Tag, ratio (13:1)	1	40	814481	. . Gear, axle	2	
	or			41	814484	. . Spacer, axle	1	
	815490	. Tag, ratio (10.25:1)	1	42	814482	. . Gear, planet	4	
	or			43	814483	. . Spacer, planet gear	4	
	816045	. Tag, ratio (8.2:1)	1	44	816825	. . Shaft, planet gear	4	
14	103867	. Washer, 5/16	5	45	814131	. . Worm gear (13:1)	1	
15	304055	. Screw, 5/16-18 x 1 3/8	6			or		
16	880259	. Axle, right	1		814204	. . Worm gear (10.25:1)	1	
17	805875	. Key, hub	2			or		
18	806251	. Screw, special	8		816036	. . Worm gear (8.2:1)	1	
19	814476	. Cup, worm bearing	2	46	814479	. . Housing, carrier	1	
20	814475	. Cone, worm bearing	2	47	800379	. Nut, whizlock	4	
21	814478	. Slinger	1	48	879476	. Retainer, seal	2	
22	814130	. Worm (13:1)	1	49	809156	. Washer	2	
	or			50	805843	. Nut, hub	2	
	814203	. Worm (10.25:1)	1	51	306325	. Lockwasher, 5/16	8	
	or			52	805196	. Bushing, 3/4 O.D.	2	
	816035	. Worm (8.2:1)	1	53	304636	. Pin, cotter 1/8 x 1 1/8	2	
				54	813850	. Bumper	2	
				55	800380	. Screw, whizlock	4	

*As required



REAR AXLE
(List on page 36)

STEERING GEAR
(List on page 39)

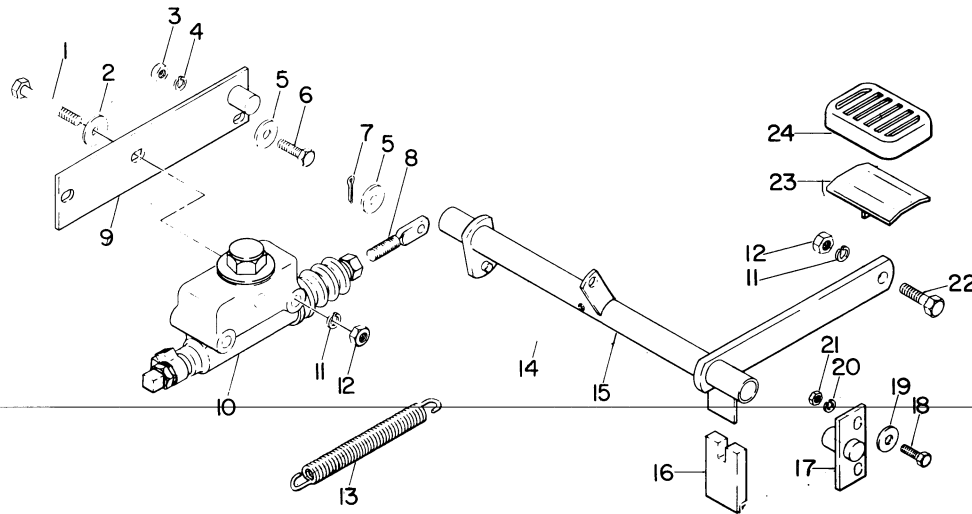


STEERING GEAR

(Illustrated on page 38)

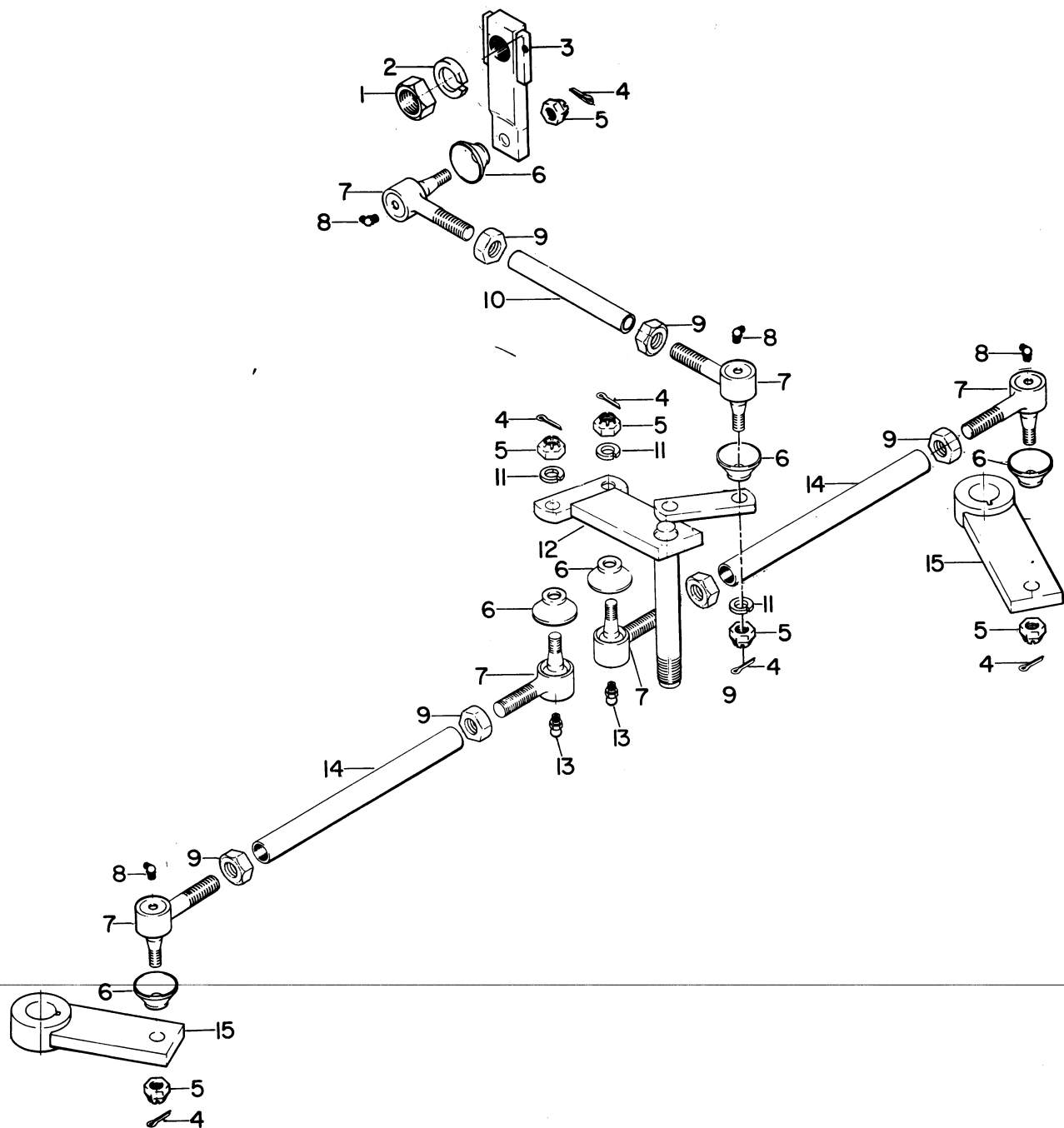
Ref. No.	Part No.	Description	No. Req'd	Ref. No.	Part No.	Description	No. Req'd
	820007	Steering gear, complete (less steering wheel, linkage and mounting hardware)	1	21	800118	. Plug, 1/4 sq. hd.	1
1	306322	. Screw, 5/16-18 x 7/8	4	22	306838	Screw, 7/16-14 x 1	3
2	306371	. Washer, 5/16	4	23	820798	Bracket, steering gear	1
3	818447	. Cover (includes screw and nut)	1	24	820995	Bracket, steering column	1
4	130541	. Nut, 1/2-20 hex. jam.	1	25	103867	Washer, 5/16	6
5	818450	. Screw, adjusting	1	26	306325	Lockwasher, 5/16	6
6	819930	. Gasket, side cover	1	27	306416	Screw, 5/16-18 x 1	2
7	818446	. Lever shaft (includes nut and lockwasher)	1	28	807605	Wheel, steering	1
8	819926	. Plug, adjusting	1	29	810666	Cup	1
9	819927	. Seal	1	30	306494	Lockwasher, 5/8	1
10	819928	. Nut, retainer	1	31	130084	Nut, 5/8-18	1
11	800267	. Plug, 1/4-18	1	32	800290	Nut, 5/16-18	4
12	820189	. Shaft	1	33	820156	Washer	1
13	818902	. Bearing set (includes upper and lower bearings)	1	34	819606	Saddle, column	2
14	816886	. Bearing	2	35	820207	Reinforcement	2
15	800131	. Ball, 5/16	16	36	819393	"U" bolt, support	2
16	819929	. Housing, w/seal	1	37	306982	Washer, 7/16 plain	3
17	812380	. Seal	1	38	303269	Lockwasher, 7/16	3
18	819923	. Collar, foam	1	39	800205	Nut, 5/8-18 acorn	1
19	819924	. Bearing, plastic	1	40	306932	Nut, 5/16-18	6
20	820188	. Jacket tube	1	41	306450	Screw, 5/16-18 x 1/4	2
				42	800030	Screw, 5/16-18 x 12	2
				43	820994	Support (1972 & Prior)	1
				or	823453	Support (1973 & Later)	1
				44	821606	Grommet	1

INDENTED PART NAMES INDICATE THESE PARTS ARE INCLUDED IN PREVIOUS ASSEMBLY



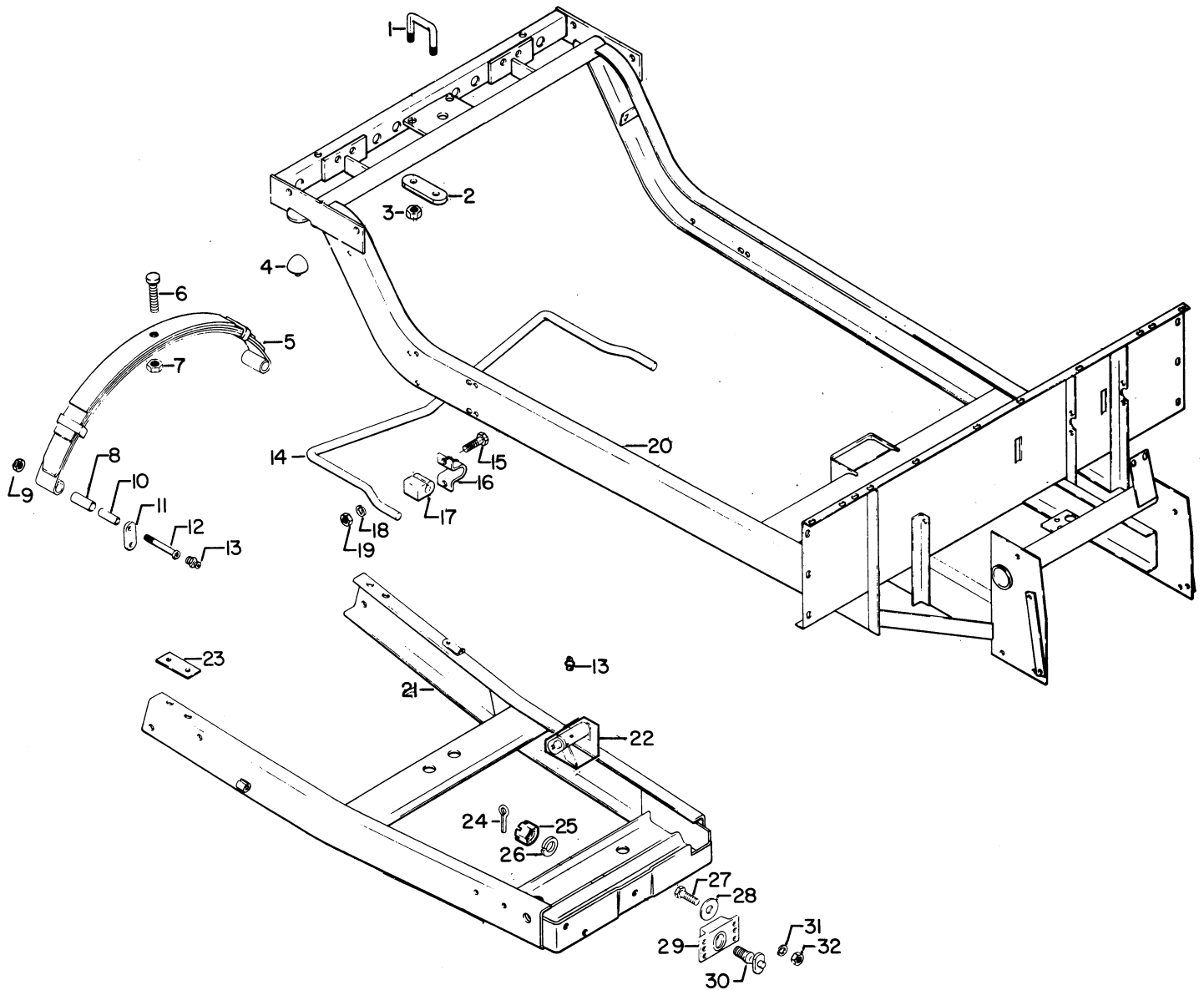
BRAKE CONTROLS

Ref. No.	Part No.	Description	No. Req'd	Ref. No.	Part No.	Description	No. Req'd
1	306837	Screw, 3/8-16 x 3/4	2	14	807439	Lubrication fitting	1
2	306981	Washer, 3/8	1	15	882061	Pivot, brake	1
3	306932	Nut, 5/16-18	1	16	820964	Seal	2
4	306325	Lockwasher, 5/16	1	17	882064	Pin, brake pivot	1
5	103867	Washer, 5/16	2	18	306487	Screw, 1/4-20 x 5/8	2
6	306450	Screw, 5/16-18 x 1/4	1	19	308090	Washer, 1/4	2
7	306328	Pin, cotter, 3/32 x 3/4	1	20	306396	Lockwasher, 1/4	2
8	812364	Rod, brake	1	21	306375	Nut, 1/4-20	2
9	882063	Bracket, master cylinder	1	22	306414	Screw, 3/8-16 x 1	1
10	807344	Master cylinder (1)	1	23	878548	Pedal	1
11	120177	Lockwasher, 3/8	3	24	810152	Pad, pedal	1
12	306562	Nut, 3/8-16	3		(1)	Refer to master cylinder break-down for replacement parts.	
13	823089	Spring	1				



STEERING LINKAGE

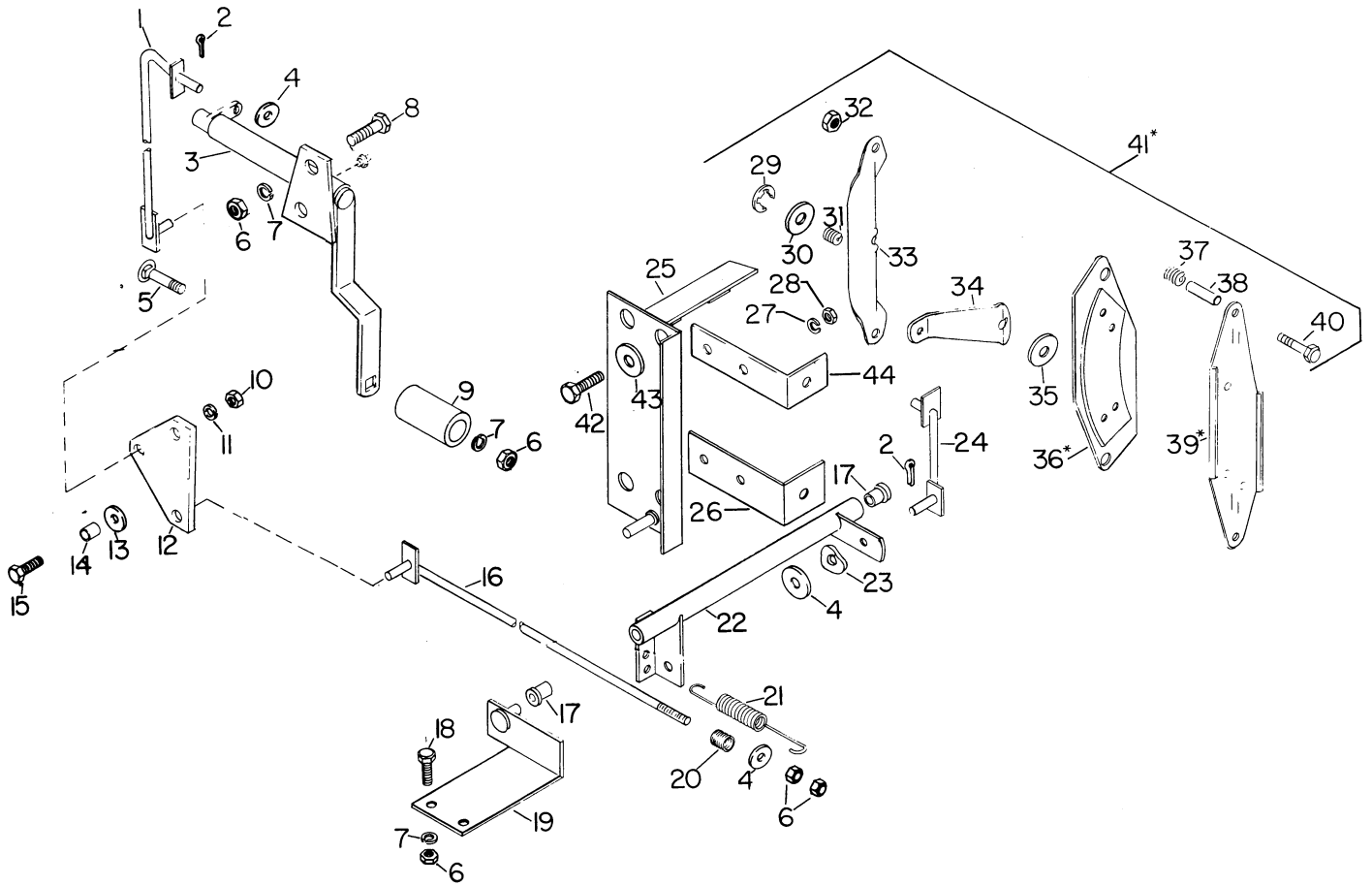
Ref. No.	Part No.	Description	No. Req'd	Ref. No.	Part No.	Description	No. Req'd
1	130084	Nut, 5/8-18 hex.	1	9	302944	Nut, 9/16-18 hex. jam.	6
2	306494	Lockwasher, 5/8	1	10	822472	Drag link	1
3	882194	Arm, steering	1	11	303269	Lockwasher, 7/16	3
4	306328	Pin, cotter, 3/32 x 3/4	6	12	882666	Bellcrank, steering	1
5	306825	Nut, 7/16-20 hex. castle	6	13	807439	Fitting, lubrication, straight	2
6	816586	Retainer, grease	6	14	822473	Tie rod	2
7	816462	End, tie rod	6	15	881142	Arm, steering	2
8	807442	Fitting, lubrication, 90°	3				



FRAME

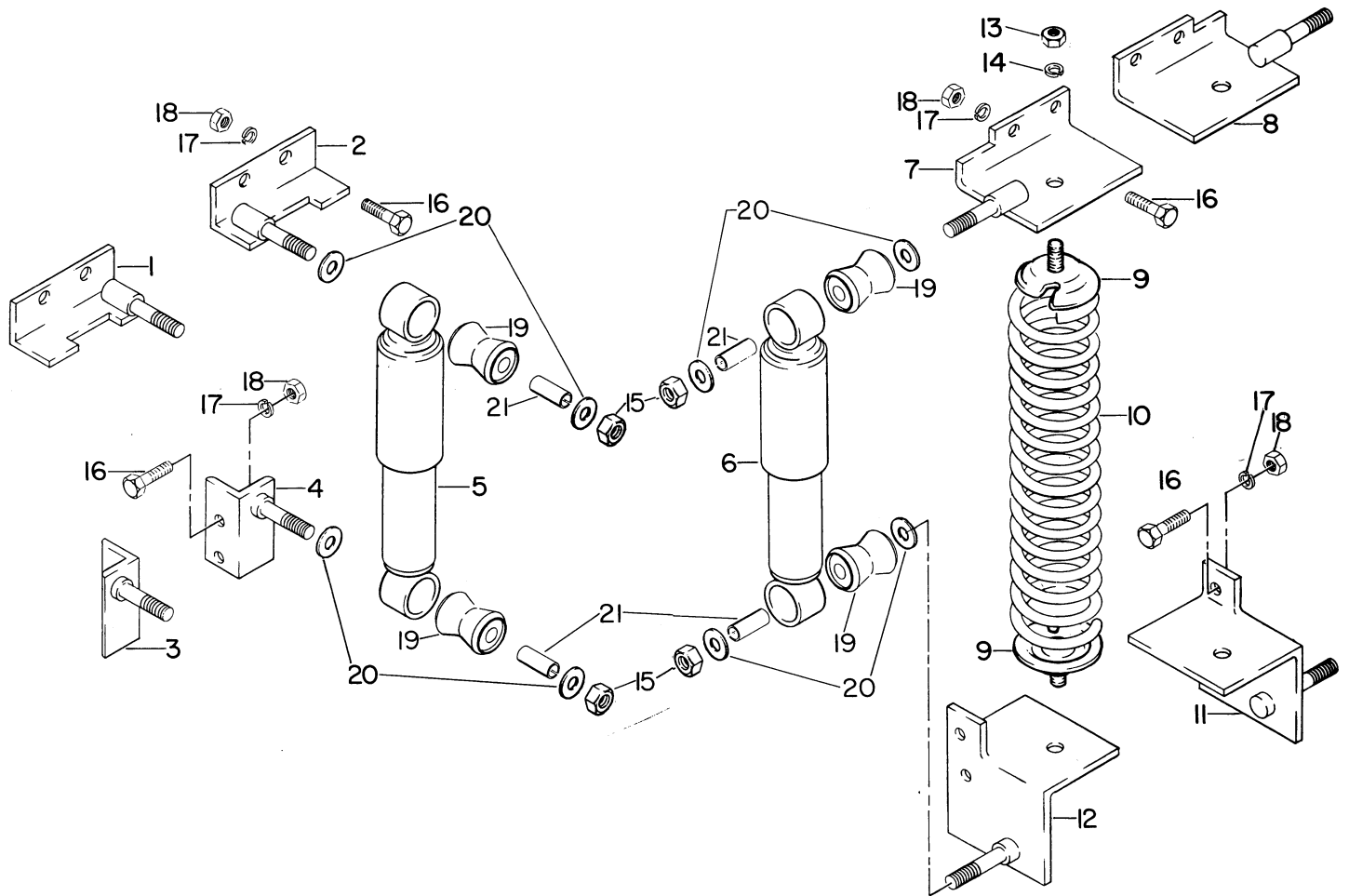
Ref. No.	Part No.	Description	No. Req'd	Ref. No.	Part No.	Description	No. Req'd
1	815416	"U" Bolt, rear spring.....	2	17	816667	Bushing, rubber.....	4
2	812218	Plate, rear spring.....	2	18	120177	Lockwasher, 3/8.....	8
3	800294	Nut, 7/16-14 hex.....	4	19	306562	Nut, 3/8-16 hex.....	8
4	813850	Bumper, travel limiting.....	2	20	882059	Frame, main.....	1
5	875142	Spring, rear.....	1	21	882983	Frame, power.....	1
6	806252	Center bolt, spring.....	1	22	878852	Pivot, clutch.....	1
7	306934	Nut, 5/16-24 hex.....	1	23	816517	Washer.....	2
8	821734	Bushing, spring.....	2	24	120310	Pin, cotter, 1/8 x 1 1/2.....	1
9	800292	Nut, 3/8-16 center lock.....	4	25	306839	Nut, 5/8-18 hex. castle.....	1
10	808996	Spacer, shackle.....	4	26	306494	Lockwasher, 5/8.....	1
11	805953	Arm, shackle.....	4	27	306450	Screw, 5/16-18x3/4 hex. hd.....	4
12	806253	Screw, shackle.....	4	28	103867	Washer, 5/16.....	4
13	807442	Fitting, lubrication, 90°.....	1	29	813679	Mount, power frame.....	1
14	816715	Bar, stabilizer.....	1	30	878485	Stud.....	1
15	306835	Screw, 3/8-16 x 1 1/4 hex. hd.....	8	31	306325	Lockwasher, 5/16.....	4
16	812215	Bracket, stabilizer bar.....	4	32	306932	Nut, 5/16-18 hex.....	4

INDENTED PART NAMES INDICATE THESE PARTS ARE INCLUDED IN PREVIOUS ASSEMBLY



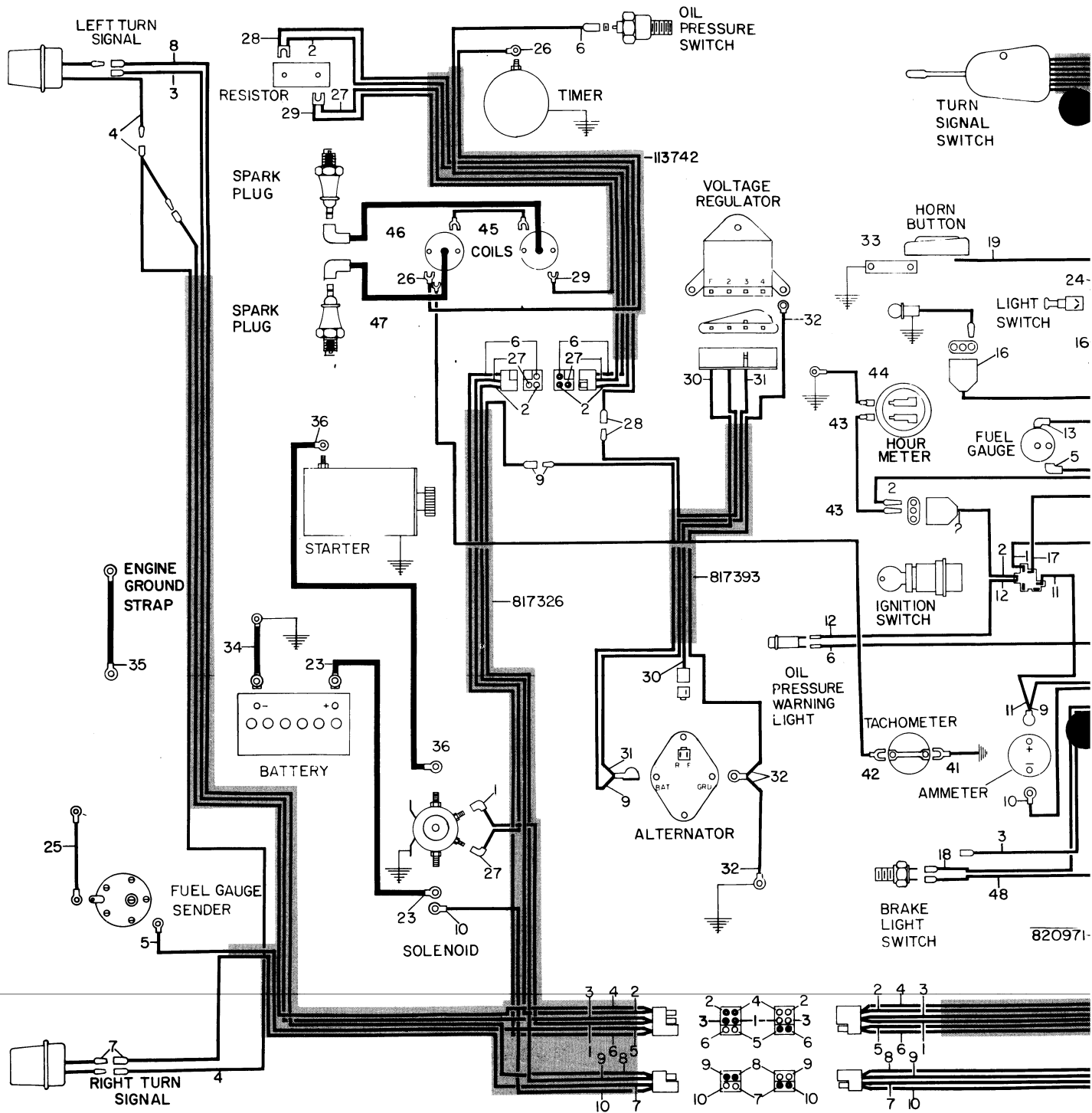
PARKING BRAKE
(1973 & Later)

Ref. No.	Part No.	Description	No. Req'd	Ref. No.	Part No.	Description	No. Req'd
1	882991	Rod, assembly	1	23	800254	Washer, wave 5/16	2
2	306328	Pin, cotter	5	24	882987	Rod assembly	1
3	882988	Handle assembly	1	25	882972	Bracket assembly	1
4	103867	Washer	5	26	823050	Bracket, caliper mtg., lower.	1
5	800083	Bolt, 5/16-18 x 2 1/4 rd hd.	1	27	120177	Lockwasher, 3/8	4
6	306932	Nut, 5/16-18	6	28	306562	Nut, 3/8-16	4
7	306325	Lockwasher, 5/16	5	29	823462	Snap ring, external	1
8	800177	Screw, 5/16-18	2	30	823461	Washer, flat	1
9	821209	Knob	1	31	823460	Spring	1
10	306375	Nut, 1/4-20	1	32	823466	Nut, self locking 3/8-24	2
11	306396	Lockwasher, 1/4	1	33	823459	Bracket, cam actuator	1
12	823068	Bellcrank, front	1	34	823458	Cam, 30 degree	1
13	308090	Washer	1	35	823457	Washer, flat	1
14	805245	Bushing	1	36	883140	Cam, side assy*	1
15	306487	Screw, 1/4-20-5/8	1	37	823465	Spring	2
16	882989	Rod assembly	1	38	823464	Bushing	2
17	823049	Bushing	2	39	883141	Side assy.*	1
18	306450	Screw, 5/16-18 x 3/4	2	40	823463	Screw, 3/8-24 x 2 1/4	2
19	882992	Bracket assembly	1	41	882984	Caliper assy, brake*	1
20	818020	Brake spring	1	42	306414	Screw, 3/8-16 x 1	4
21	812368	Spring, brake return	1	43	306981	Washer, 3/8	4
22	882974	Bellcrank, rear	1	44	823731	Bracket, caliper mtg., upper	1
				*	883487	Lining set, brake (includes lining and rivets)	1



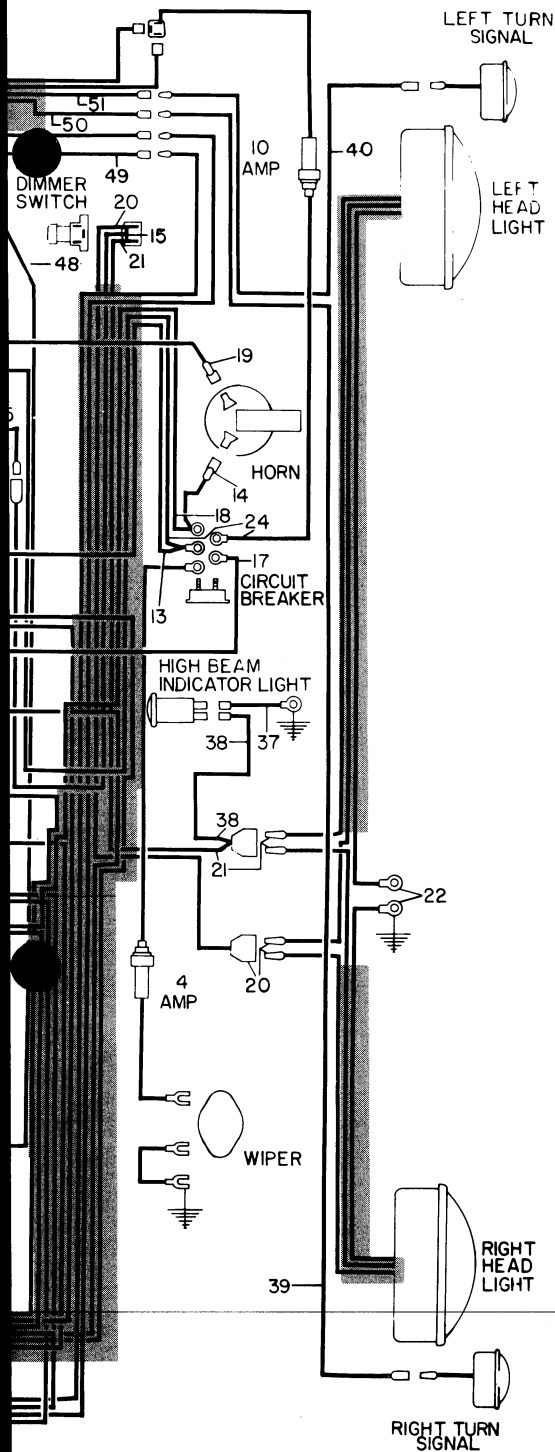
SHOCK ABSORBERS AND HEAVY DUTY SPRINGS

REF. NO.	PART NO.	DESCRIPTION	NO. REQ'D	REF. NO.	PART NO.	DESCRIPTION	NO. REQ'D
	879979	SHOCK SET, REAR	10	10	816380	. Spring	2
1	880217	. Bracket, upper left	1	11	880568	. Bracket, lower rightright	1
2	880218	. Bracket, upper right	1	12	880567	. Bracket, lower left	1
3	879978	. Bracket, lower right	1	13	308332	. Nut 1/2-13	4
4	879977	. Bracket, lower right	1	14	120166	. Lockwasher, 1/2	4
5	807332	. Shock absorber	2			HARDWARE PER SET	
	880571	HEAVY DUTY SPRING AND SHOCK SET		15	800294	Nut, 7/16-14 hex.	4
6	807335	. Shock absorber	2	16	306835	Screw, 3/8-16 x 1 1/4	8
7	880569	. Bracket, upper left	1	17	120177	Lockwasher, 3/8	8
8	880570	. Bracket, upper right	1	18	306562	Nut, 3/8-16	8
9	876660	. Retainer, spring	4	19	823620	Bushing, rubber	4
				20	812666	Washer	8
				21	823621	Bushing	4



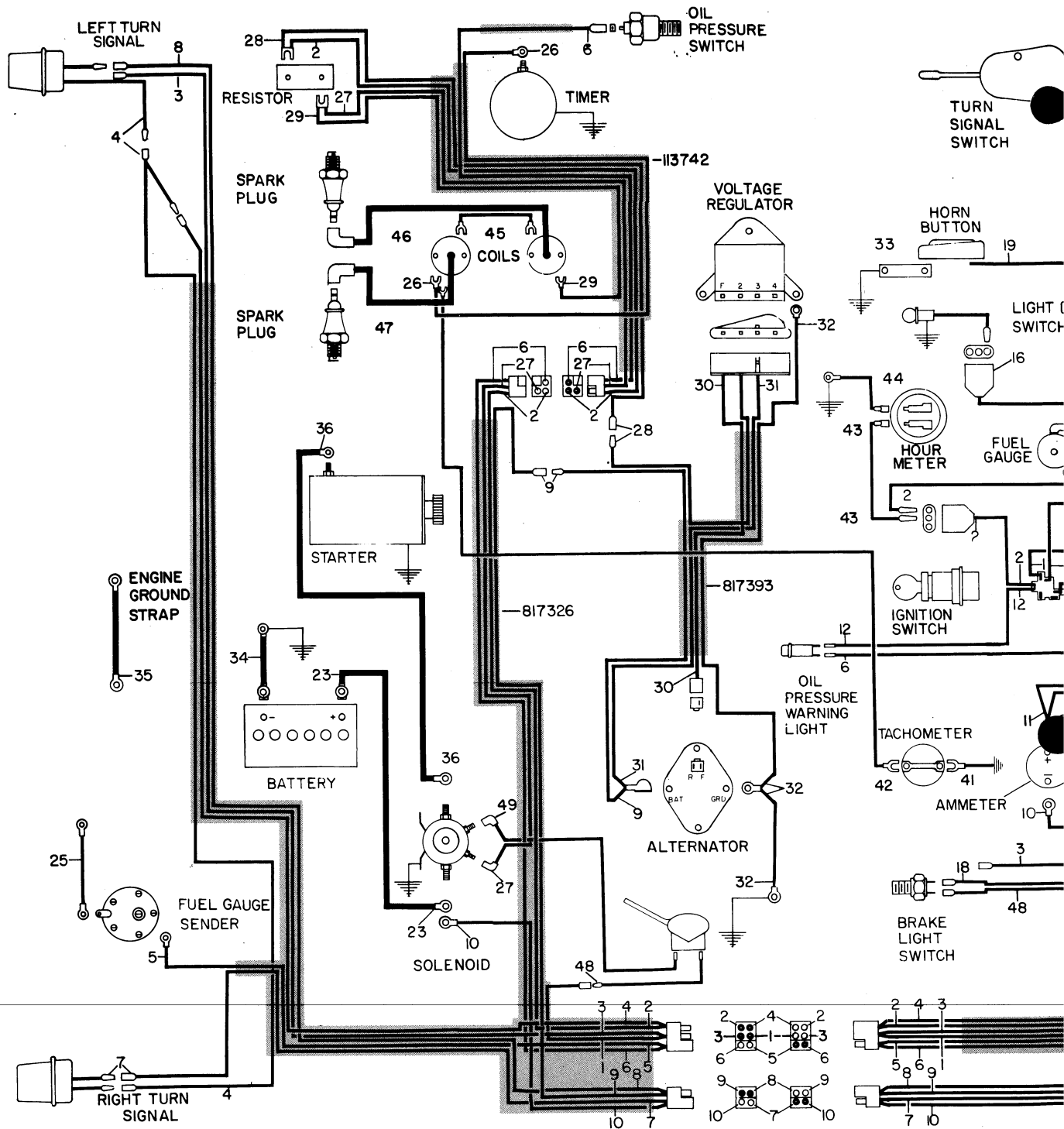
SEPARATE WIRES

REF. NO.	PART NO.	DESCRIPTION	REF. NO.	PART NO.	DESCRIPTION
19	821417	Black—Horn to horn button	34	809865	Black—Battery (-) to ground
22		Black—headlight to ground	35	814417	Black—Engine to ground
23	816738	Pickup	36	817323	Black—Solenoid to starter
	817322	Chasis—Dump] Black—Battery(+) to solenoid	37	821118	White—High beam indicator to ground
	817368	½-Ton Flatbed]	39		Red—Right front turn signal to switch
25	815996	Orange/Yellow—Fuel gauge sender to ground	40		Blue—Left front turn signal to switch
33	820595	Copper Strip—Horn switch to ground	41		White—Tachometer to ground



REF. NO.	PART NO.	DESCRIPTION
42		Black—Tachometer to coil (+)
43	880842	Green—Hour meter to ignition switch
44	880841	Black—Hour meter to ground
45	112987	Brown—Coil to coil
46	113745	—Coil to spark plug-short
47	113746	—Coil to spark plug-long

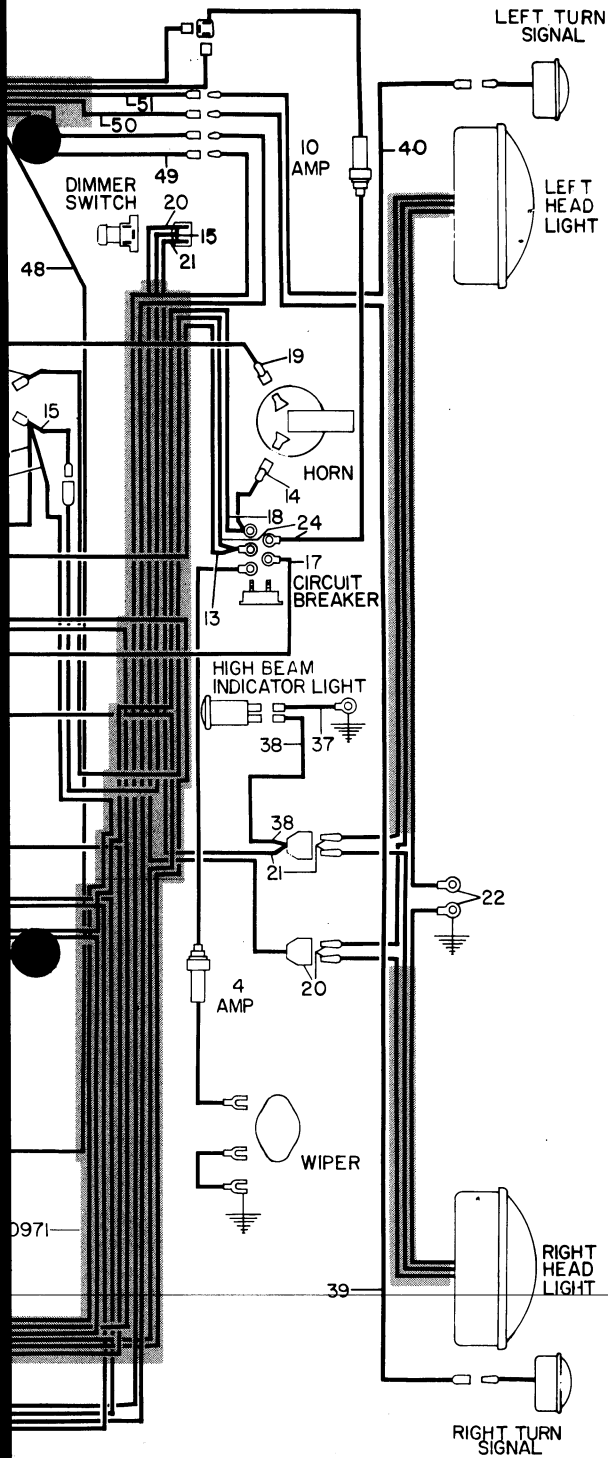
WIRE NO.	PART NO.	DESCRIPTION
	113742	HARNES—TWIN ENGINE
2		Green—Resistor to ignition switch (IGN)
6		White—Oil pressure, switch to light
26		Black—Coil to timer
27		Blue—Resistor to solenoid (1)
28		Green—Resistor to voltage regulator (2)
29		Blue—Resistor to coil
	817326	HARNES—REAR MAIN WIRING
1		Pink—Solenoid (S) to ignition switch (S)
2		Green—Resistor to ignition switch (IGN)
3		Black—Brake light to brake light switch
4		Tan—Tail light to light switch
5		Yellow—Fuel gauge sender to fuel gauge
6		White—Oil pressure switch to light
7		Red—Right rear turn signal switch
8		Blue—Left rear turn signal to turn signal switch
9		Red—Alternator (BAT.) to ammeter (+)
10		Black—Solenoid (BAT.) to ammeter (-)
27		Blue—Solenoid (1) to resistor
	817393	HARNES—42 AMP. ALTERNATOR
9		Red—Alternator (BAT.) to ammeter (+)
28		Green—Voltage regulator (2) to resistor
30		White—Alternator (F) to voltage regulator (F)
31		Yellow—Alternator (BAT.) to regulator (3)
32		Blue—Alternator (GRD) to regulator (GRD)
	820971	HARNES—FRONT MAIN WIRING
1		Pink—Ignition switch (S) to solenoid (S)
2		Green—Ignition switch (IGN) to resistor
3		Black—Brake light switch to brake light
4		Tan—Light switch to tail light
5		Yellow—Fuel gauge to fuel gauge sender
6		White—Oil pressure, light to switch
7		Red—Turn signal switch to right rear turn signal
8		Blue—Turn signal switch to left rear from signal
9		Red—Ammeter (+) to alternator (BAT.)
10		Black—Ammeter (-) to solenoid (BAT.)
11		Red—Ignition switch (BAT.) to ammeter (+)
12		White—Oil pressure warning light to ignition switch (IGN)
13		Purple—Fuel gauge (IGN) to circuit breaker
14		Grey—Horn to circuit breaker
15		Light Blue—Light switch to dimmer switch
16		Orange—Light switch to speedometer light
17		Black—Ignition switch (ACC) to circuit breaker
18		Grey—Circuit breaker to brake light switch
20		Yellow—Dimmer switch to headlight
21		Ivory—Dimmer switch to headlight
24		Purple—Circuit breaker to light switch
38		White—High beam indicator to headlight



SEPARATE WIRES

REF. NO.	PART NO.	DESCRIPTION	REF. NO.	PART NO.	DESCRIPTION
19	821417	Black—Horn to horn button	34	809865	Black—Battery (-) to ground
22		Black—headlight to ground	35	814417	Black—Engine to ground
23	816738	Pickup	36	817323	Black—Solenoid to starter
	817322	Chasis—Dump] Black—Battery(+) to solenoid	37	821118	White—High beam indicator to ground
	817368	½-Ton Flatbed]	39		Red—Right front turn signal to switch
25	815996	Orange/Yellow—Fuel gauge sender to ground	40		Blue—Left front turn signal to switch
33	820595	Copper Strip—Horn switch to ground	41		White—Tachometer to ground

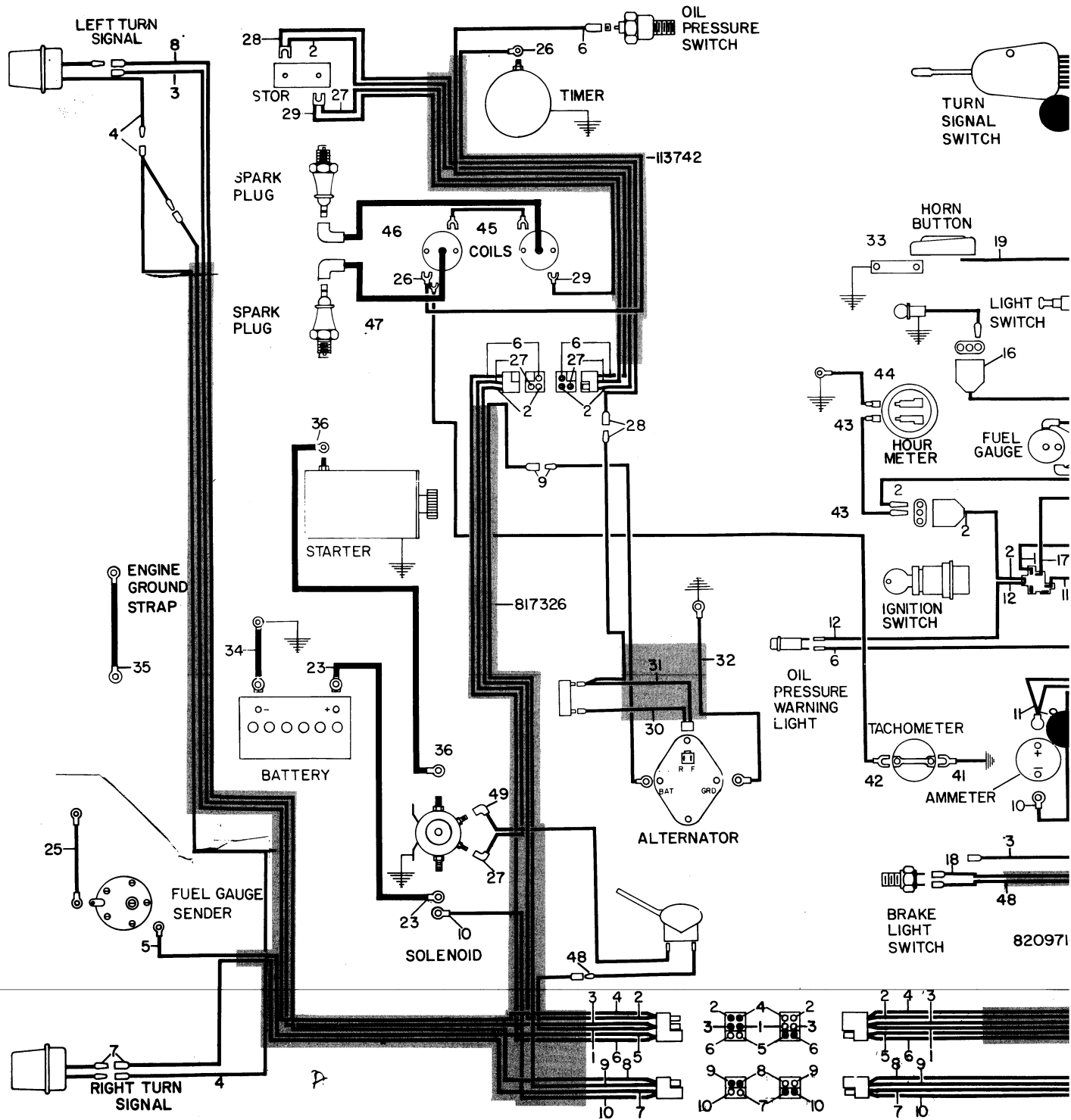
Wiring for Vehicles Equipped with Alternat



REF. NO.	PART NO.	DESCRIPTION
42		Black—Tachometer to coil (+)
43	880842	Green—Hour meter to ignition switch
44	880841	Black—Hour meter to ground
45	112987	Brown—Coil to coil
46	113745	—Coil to spark plug-short
47	113746	—Coil to spark plug-long
48	883404	Pink—Clutch switch to ign. switch
49	883404	Pink—Clutch switch to solenoid

WIRE NO.	PART NO.	DESCRIPTION
	113742	HARNES—TWIN ENGINE
2		Green—Resistor to ignition switch (IGN)
6		White—Oil pressure, switch to light
26		Black—Coil to timer
27		Blue—Resistor to solenoid (1)
28		Green—Resistor to voltage regulator (2)
29		Blue—Resistor to coil
	817326	HARNES—REAR MAIN WIRING
1		Pink—Ignition switch (S) to clutch switch
2		Green—Resistor to ignition switch (IGN)
3		Black—Brake light to brake light switch
4		Tan—Tail light to light switch
5		Yellow—Fuel gauge sender to fuel gauge
6		White—Oil pressure switch to light
7		Red—Right rear turn signal to turn signal switch
8		Blue—Left rear turn signal to turn signal switch
9		Red—Alternator (BAT.) to ammeter (+)
10		Black—Solenoid (BAT.) to ammeter (-)
27		Blue—Solenoid (1) to resistor
	817393	HARNES—42 AMP. ALTERNATOR
9		Red—Alternator (BAT.) to ammeter (+)
28		Green—Volatage regulator (2) to resistor
30		White—Alternator (BAT.) to volatge regulator (F)
31		Yellow—Alternator (BAT.) to regulator (3)
32		Blue—Alternator (GRD) to regulator (GRD)
	820971	HARNES—FRONT MAIN WIRING
1		Pink—Ignition switch (S) to clutch switch
2		Green—Ignition switch (IGN) to resistor
3		Black—Brake light switch to brake light
4		Tan—Light switch to tail light
5		Yellow—Fuel gauge to fuel gauge sender
6		White—Oil pressure, light to switch
7		Red—Turn signal switch to right rear turn signal
8		Blue—Turn signal switch to left rear turn signal
9		Red—Ammeter (+) to alternator (BAT.)
10		Black—Ammeter (-) to solenoid (BAT.)
11		Red—Ignition switch (BAT.) to ammeter (+)
12		White—Oil pressure warning light to ignition switch (IGN)
13		Purple— Fuel gauge (IGN) to circuit breaker
14		Grey—Horn to circuit breaker
15		Light Blue—Light switch to dimmer switch
16		Orange—Light switch to speedometer light
17		Black—Ignition switch (ACC) to circuit breaker
18		Grey—Circuit breaker to brake light switch
20		Yellow—Dimmer switch to headlight
21		Ivory—Dimmer switch to headlight
24		Purple—Circuit breaker to light switch
38		White—High beam indicator to headlight

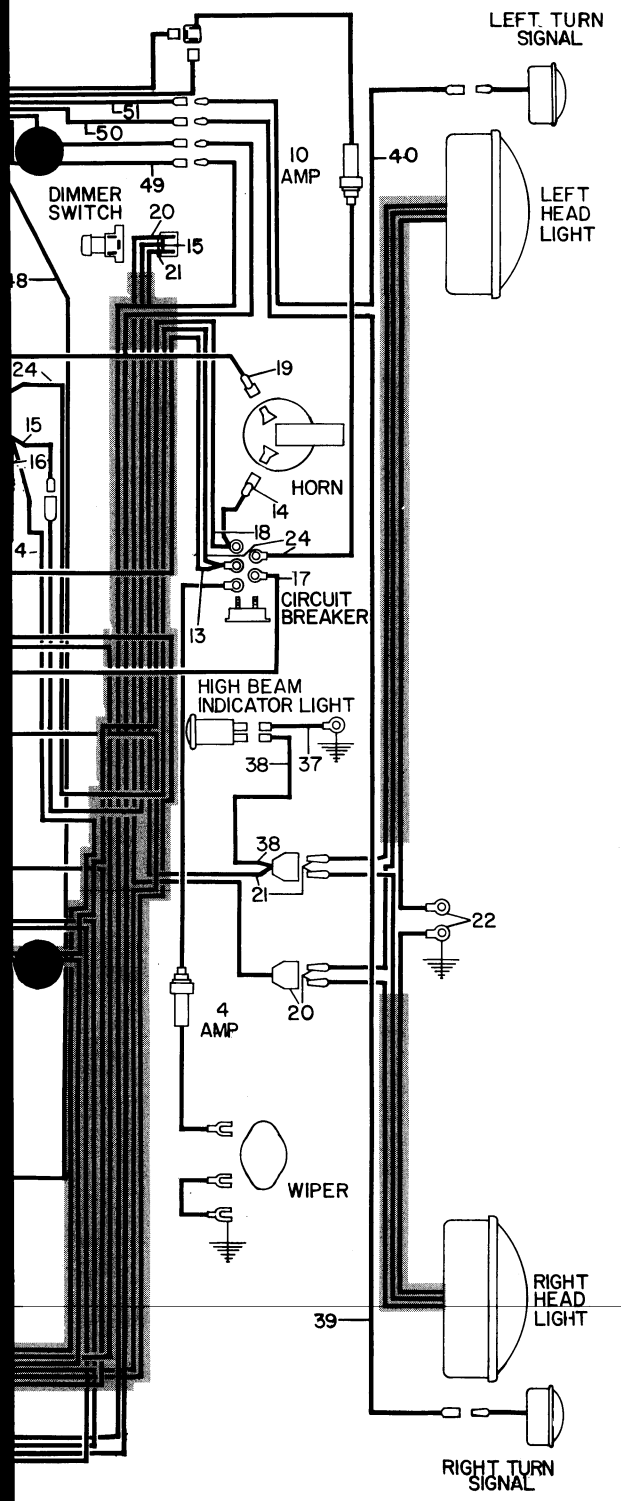
and a separate Voltage Regulator



SEPARATE WIRES

REF. NO.	PART NO.	DESCRIPTION	REF. NO.	PART NO.	DESCRIPTION
19	821417	Black—Horn to horn button	34	809865	Black—Battery (-) to ground
22		Black—headlight to ground	35	814417	Black—Engine to ground
23	816738	Pickup	36	817323	Black—Solenoid to starter
	817322	Chasis—Dump] Black—Battery(+) to solenoid	37	821118	White—High beam indicator to ground
	817368	½-Ton Flatbed]	39		Red—Right front turn signal to switch
25	815996	Orange/Yellow—Fuel gauge sender to ground	40		Blue—Left front turn signal to switch
33	820595	Copper Strip—Horn switch to ground	41		White—Tachometer to ground

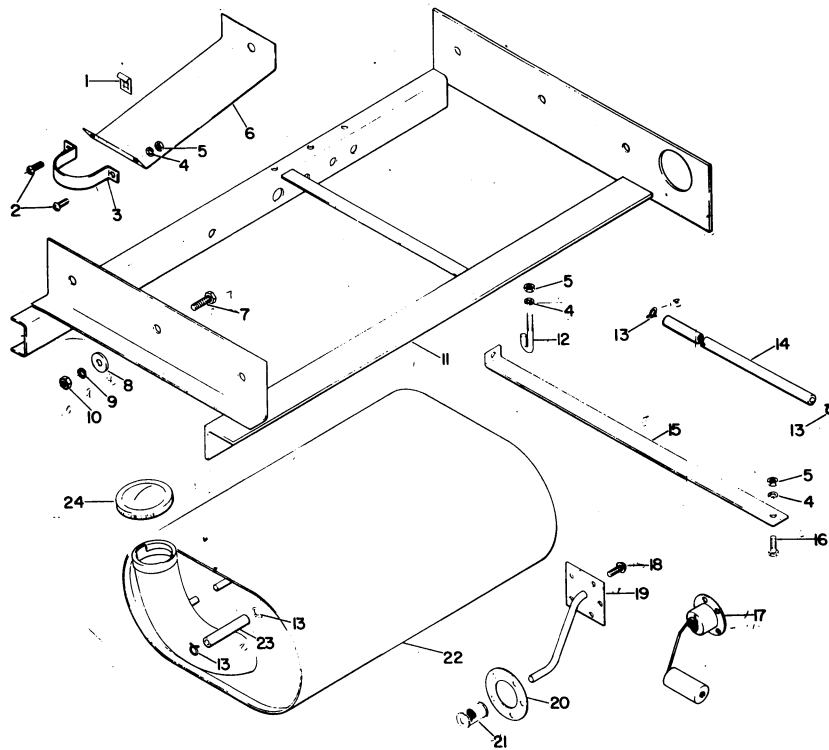
Wiring for Vehicles Equipped with Alternator



WIRE NO.	PART NO.	DESCRIPTION
	113742	HARNES—TWIN ENGINE
2		Green—Resistor to ignition switch (IGN)
6		White—Oil pressure, switch to light
26		Black—Coil to timer
27		Blue—Resistor to solenoid (1)
28		Green—Resistor to voltage regulator (2)
29		Blue—Resistor to coil
	817326	HARNES—REAR MAIN WIRING
1		Pink—Ignition switch (S) to clutch switch
2		Green—Resistor to ignition switch (IGN)
3		Black—Brake light to brake light switch
4		Tan—Tail light to light switch
5		Yellow—Fuel gauge sender to fuel gauge
6		White—Oil pressure switch to light
7		Red—right rear turn signal to turn signal switch
8		Blue—Left rear turn signal to turn signal switch
9		Red—Alternator (BAT.) to ammeter (+)
10		Black—Solenoid (BAT.) to ammeter (-)
27		Blue—Solenoid (1) to resistor
	823683	HARNES—42 AMP. ALTERNATOR
9		Red—Alternator (BAT.) to ammeter (+)
28		Green—Resistor to resistor
30		White—Resistor to alternator (1)
31		Yellow—Resistor to alternator (2)
32		Blue—Alternator (GRD) to ground
	820971	HARNES—FRONT MAIN WIRING
1		Pink—Ignition switch (S) to clutch switch
2		Green—Ignition switch (IGN) to resistor
3		Black—Brake light switch to brake light
4		Tan—Light switch to tail light
5		Yellow—Fuel gauge to fuel gauge sender
6		White—Oil pressure, light to switch
7		Red—Turn signal switch to right rear turn signal
8		Blue—Turn signal switch to left rear turn signal
9		Red—Ammeter (+) to alternator (BAT.)
10		Black—Ammeter (-) to solenoid (BAT.)
11		Red—Ignition switch (BAT.) to ammeter (+)
12		White—Oil pressure warning light to ignition switch (IGN)
13		Purple—Fuel gauge (IGN) to circuit breaker
14		Grey—Horn to circuit breaker
15		Light Blue—Light switch to dinner switch
16		Orange—Light switch to speedometer light
17		Black—Ignition switch (ACC) to circuit breaker
18		Grey—Circuit breaker to brake light switch
20		Yellow—Dimmer switch to headlight
21		Ivory—Dimmer switch to headlight
24		Purple—Circuit breaker to light switch
38		White—High beam indicator to headlight

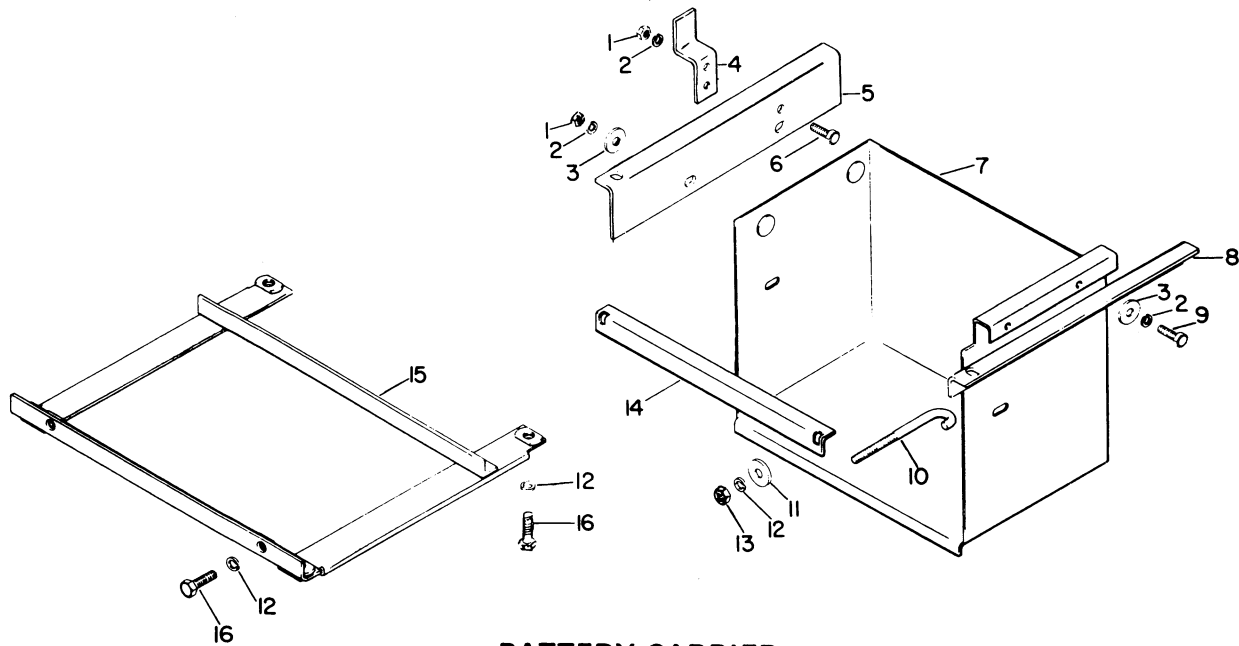
REF. NO.	PART NO.	DESCRIPTION
42		Black—Tachometer to coil (+)
43	880842	Green—Hour meter to ignition switch
44	880841	Black—Hour meter to ground
45	112987	Brown—Coil to coil
46	113745	—Coil to spark plug-short
47	113746	—Coil to spark plug-long
48	883404	Pink—Clutch switch to ign. switch
49	883404	Pink—Clutch switch to solenoid

With a built-in voltage regulator



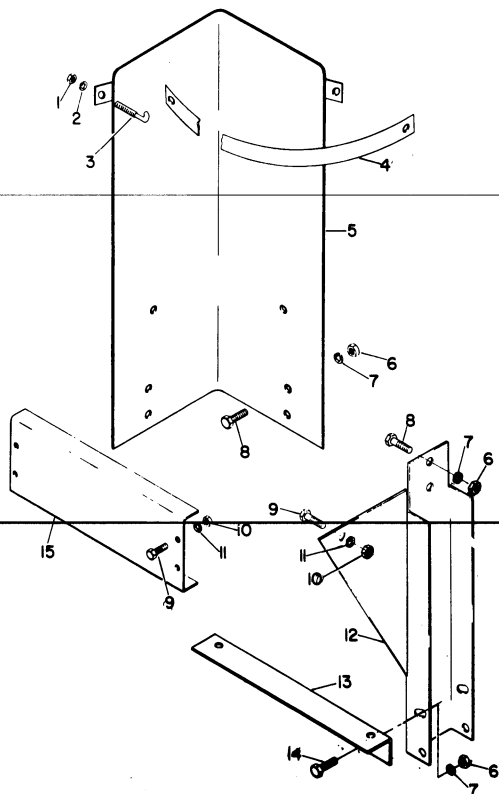
FUEL TANK

REF. NO.	PART NO.	DESCRIPTION	NO. REQ'D	REF. NO.	PART NO.	DESCRIPTION	NO. REQ'D
1	800196	Nut, 1/4-20 speed, Type "J" (Models 898441, 898442, 898541, 898542)	2	15	815415	Band, fuel tank (Models 898440, 898441, 898442, 898540, 898541, 898542, 898544)	2
2	800019	Screw, 1/4-20 x 1/2 P.T.H. (Models 898440, 898441, 898442, 898540, 898541, 898542, 898544)	2		816731	Band, fuel tank (Model 898443)	2
3	815822	Clamp, filler neck (Models 898440, 898441, 898442, 898540, 898541, 898542, 898544)	1	16	306409	Screw, 1/4-20 x 7/8 hex. hd. (Models 898440, 898441, 898442, 898540, 898541, 898542, 898544)	2
4	306396	Lockwasher, 1/4 (Models 898440, 898540, 898544) (Models 898441, 898442, 898443, 898541, 898542)	6		306487	Screw, 1/4-20 x 5/8 hex. hd. (Model 898443)	2
5	306375	Nut, 1/4-20 hex. (Models 898440, 898540, 898544) (Models 898441, 898442, 898443, 898541, 898542)	4	17	814402	Sender	1
			6	18	800306	Screw, self-sealing	10
			4	19	880440	Outlet	1
			4	20	814409	Gasket	2
			1	21	816470	Screen	1
6	820967	Brace, neck (Models 898440, 898540, 898544)	1	22	880611	Fuel tank (rear outlet) (Model 898443)	1
7	306450	Screw, 5/16-18 x 3/4 hex. hd. (Models 898440, 898540, 898544)	6		880651	Fuel tank (Models 898441, 898541)	1
8	103867	Washer, 5/16 plain (Models 898440, 898540, 898544)	6		882178	Fuel tank (Models 898440, 898442, 898540, 898542, 898544)	1
9	306325	Lockwasher, 5/16 (Models 898440, 898540, 898544)	6				
10	306932	Nut, 5/16-18 hex (Models 898440, 898540, 898544)	6	23	815819	Hose, vent (Models 898441, 898541)	1
11	882122	Frame, fuel tank carrier (Models 898440, 898540, 898544)	1		815841	Hose, vent (Models 898440, 898442, 898540, 898542, 898544)	1
12	809949	"J" Bolt	2				
13	817729	Clamp, fuel line	4	24	819494	Cap, fuel tank	1
14	816737	Hose, fuel (Model 898443)	1				
	816892	Hose, fuel (Models 898440, 898441, 898442, 898540, 898541, 898542, 898544)	1				



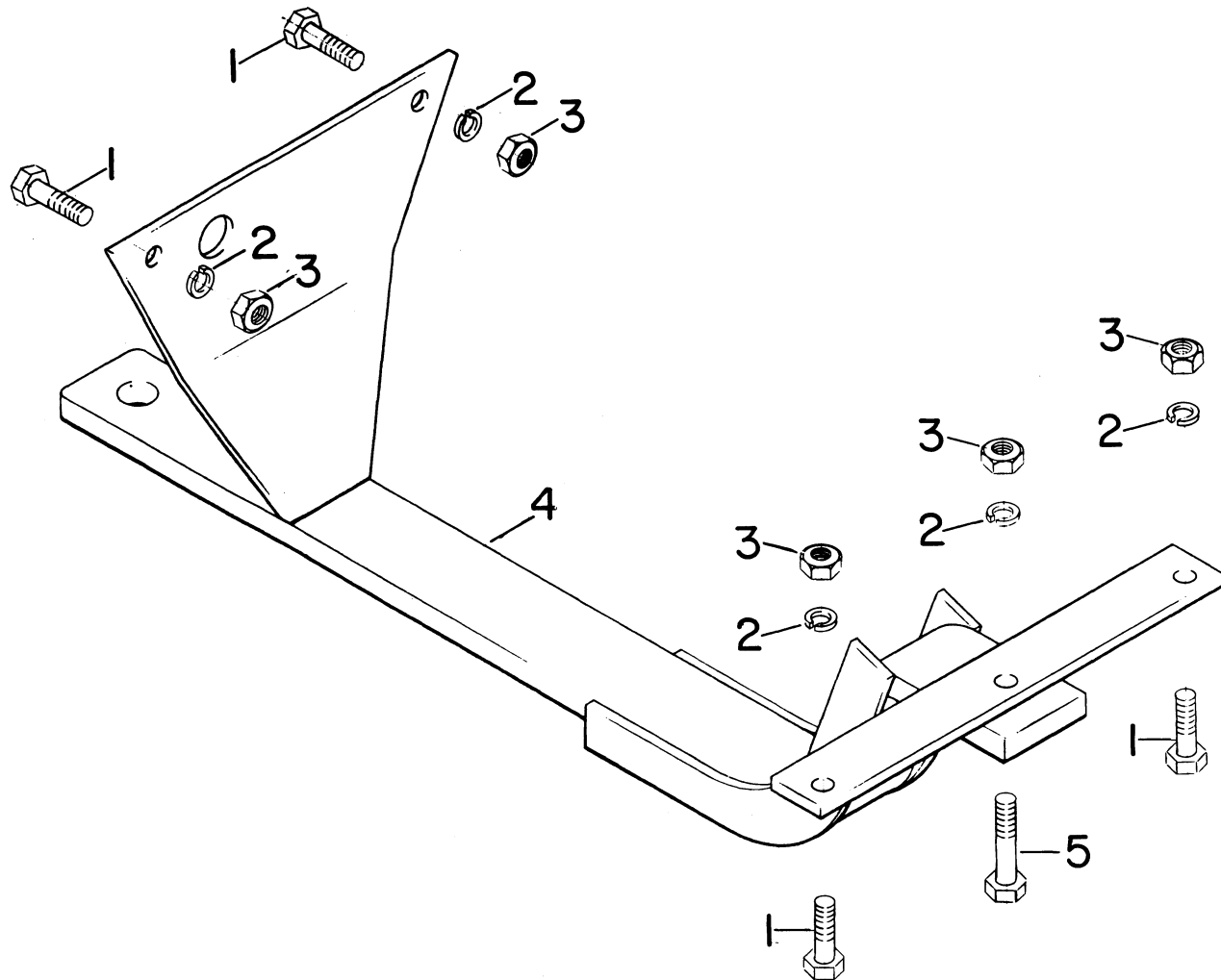
BATTERY CARRIER

REF. NO.	PART NO.	DESCRIPTION	NO. REQ'D	REF. NO.	PART NO.	DESCRIPTION	NO. REQ'D
1	306375	Nut, 1/4-20	4	10	812313	"J Bolt	2
2	306396	Lockwasher, 1/4	6	11	103867	Washer, 5/16	2
3	308090	Washer, 1/4	4	12	306325	Lockwasher, 5/16	6
4	820939	Stop	2	13	306932	Nut, 5/16-18	2
5	820940	Slide, rear	1	14	815847	Hold-down	1
6	306487	Screw, 1/4-20 x 5/8	2	15	882121	Frame, battery carrier	1
7	880207	Carrier, battery	1	16	306450	Screw, 5/16-18 x 5/8	4
8	820822	Slide, front	1				
9	302288	Screw, 1/4-20 x 1	2				
		or					
	306419	Screw, 1/4-20 x 7/8	2				



GAS WELDER MOUNTING SET

REF. NO.	PART NO.	DESCRIPTION	NO. REQ'D
	880621	Gas Welder Set	9
1	306375	. Nut, 1/4-20 hex.	10
2	306396	. Lockwasher, 1/4	11
3	809949	. Bolt, "J"	12
4	816927	. Band	
5	880618	. Holder, bottle	
6	306562	. Nut, 3/8-16 hex.	13
7	120177	. Lockwasher, 3/8	14
8	306414	. Screw, 3/8-16 x	15
9	306450	. Screw, 5/16-18	10
10	306932	. Nut, 5/16-18 hex.	10
11	306325	. Lockwasher, 5/16	10
12	880827	. Flatbed support, left	1
		or	
	880828	. Flatbed support, right	1
13	816924	. Support, bottle	2
14	306834	. Screw 3/8-16 x	4
15	817489	. Cover, channel hole	2

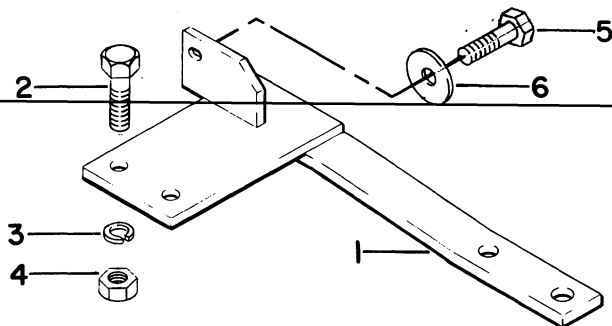


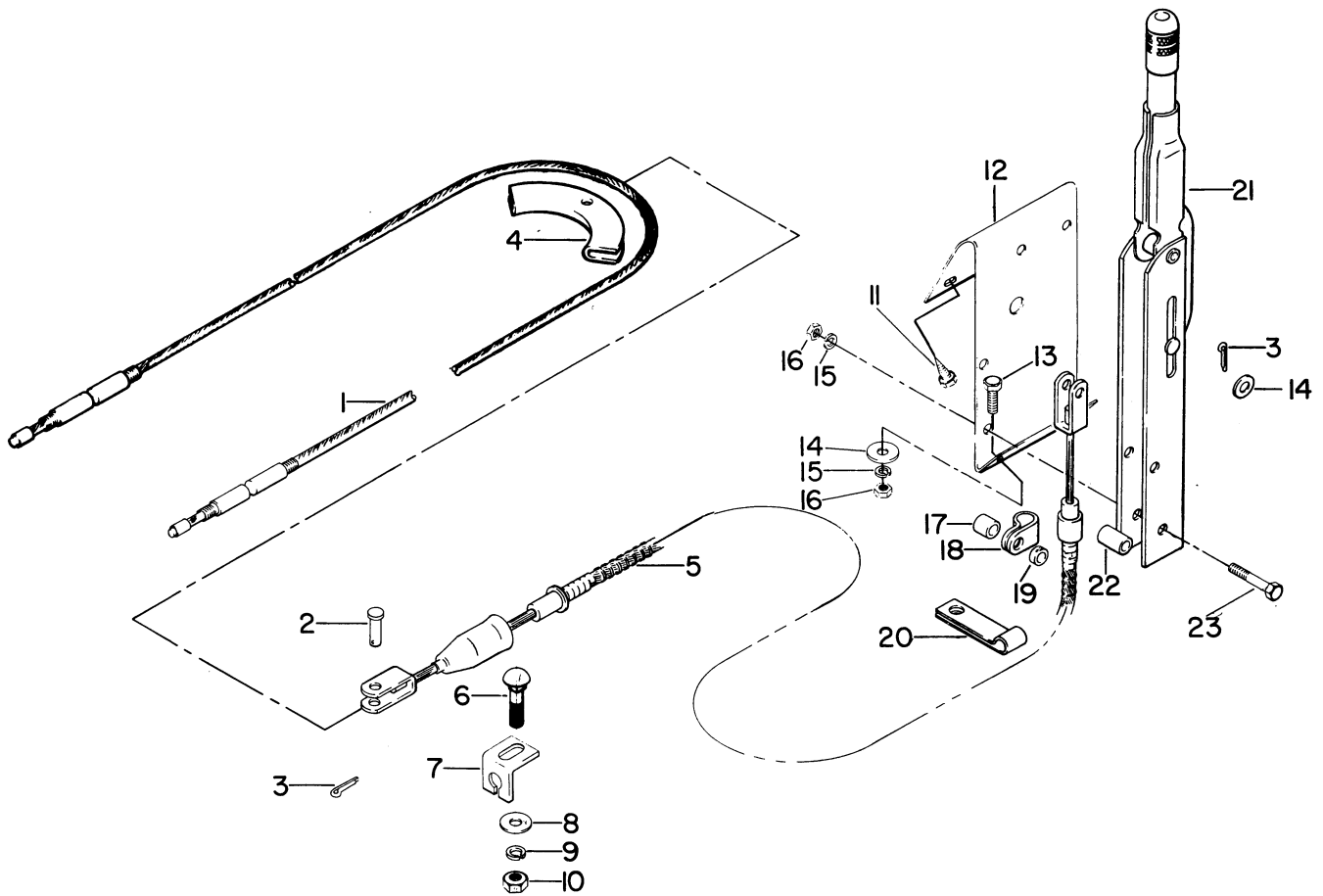
TRAILER HITCH

REF. NO.	PART NO.	DESCRIPTION	NO. REQ'D	REF. NO.	PART NO.	DESCRIPTION	
1	306414	Screw, 3/8-16 x 1 hex. hd.	4	4	880653	Bar, tow hitch	1
2	120177	Lockwasher, 3/8	5	5	302600	Screw, 3/8-16 x 1 hex. hd.	1
3	306562	Nut, 3/8-16 hex.	5				

TOW BAR

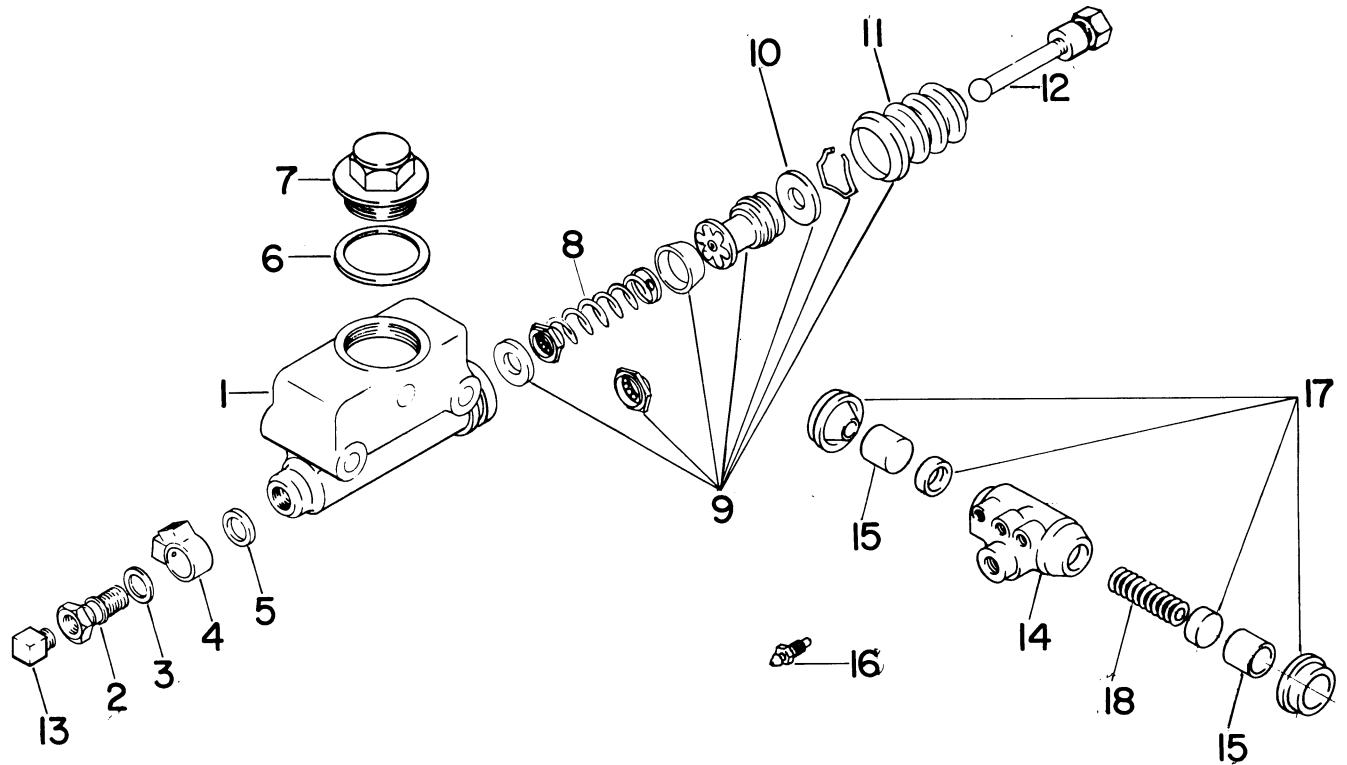
REF. NO.	PART NO.	DESCRIPTION	NO. REQ'D
1	881879	Tow Bar	1
2	306875	Screw, 1/2-20 x 1 1/2 hex. hd.	2
3	120166	Lockwasher, 1/2	2
4	301988	Nut, 1/2-20 hex.	2
5	302600	Screw, 3/8-16 x 1 1/2 hex. hd.	1
6	306981	Washer, 3/8 plain	1





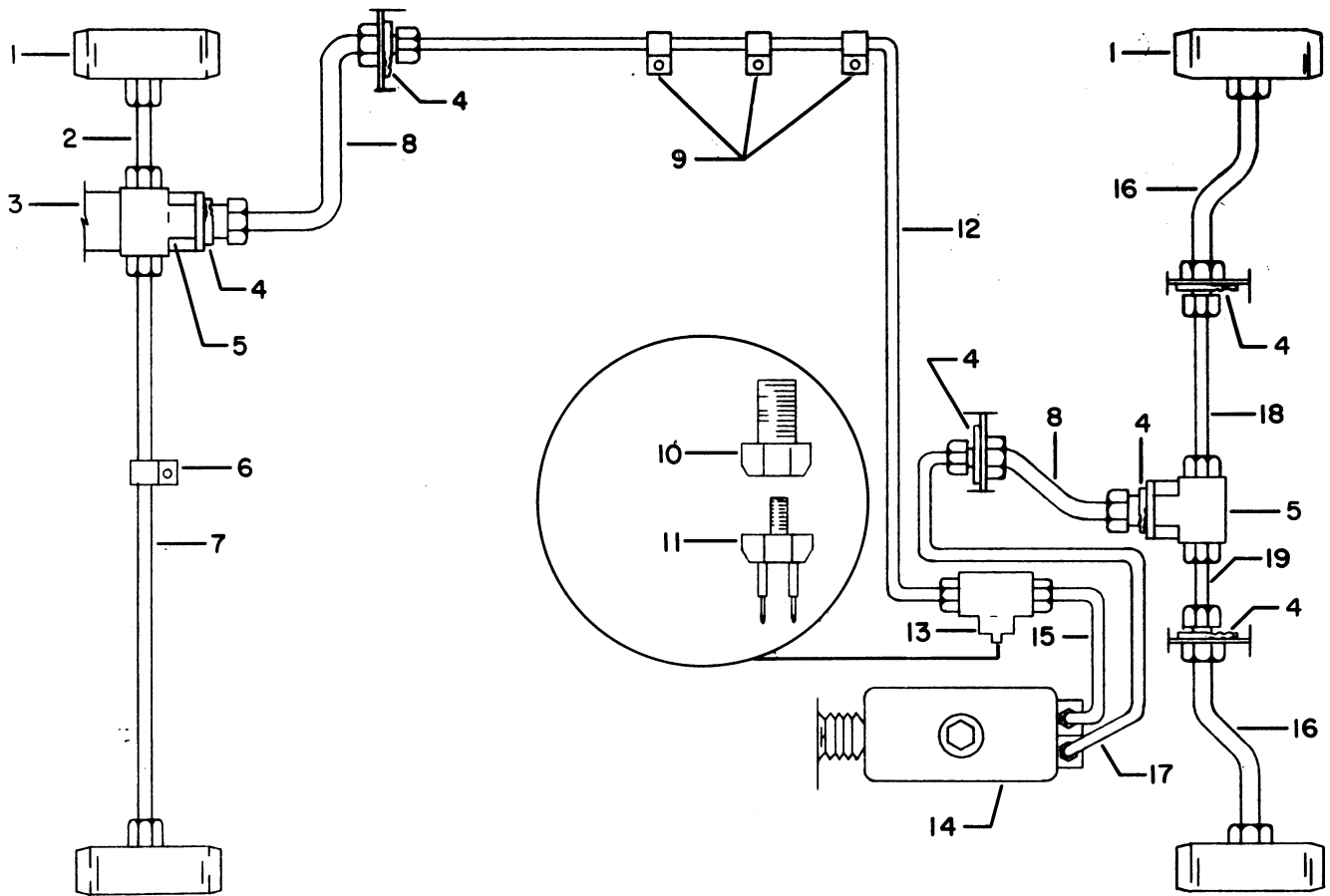
PARKING BRAKE
(1972 & Prior)

REF. NO.	PART NO.	DESCRIPTION	NO. REQ'D	REF. NO.	PART NO.	DESCRIPTION	NO. REQ'D
1	812480	Cable, rear	1	13	302479	Screw, 5/16-18 x 1 1/8 hex. hd. . .	2
2	806703	Pin	1	14	103867	Washer, 5/16	3
3	306328	Pin, cotter, 3/32 x 3/4	2	15	306325	Lockwasher, 5/16	4
4	805864	Yoke, cable	1	16	306932	Nut, 5/16-18 hex.	4
5	816616	Cable, front	1	17	808975	Spacer	1
6	306414	Screw, 3/8-16 x 6 hex. hd.	1	18	809121	Clamp, cable	1
7	812426	Bracket, cable	1	19	816612	Spacer	1
8	306981	Washer, 3/8	1	20	809095	Clamp	1
9	120177	Lockwasher, 3/8	1	21	807495	Lever, parking brake	1
10	306562	Nut, 3/8-16 hex.	1	22	816613	Spacer	1
11	800331	Screw, No. 14A x 3/4 hex. washer hd.	2	23	306424	Screw, 5/16-18 x 2 hex. hd.	2
12	820994	Bracket, lever support	1				



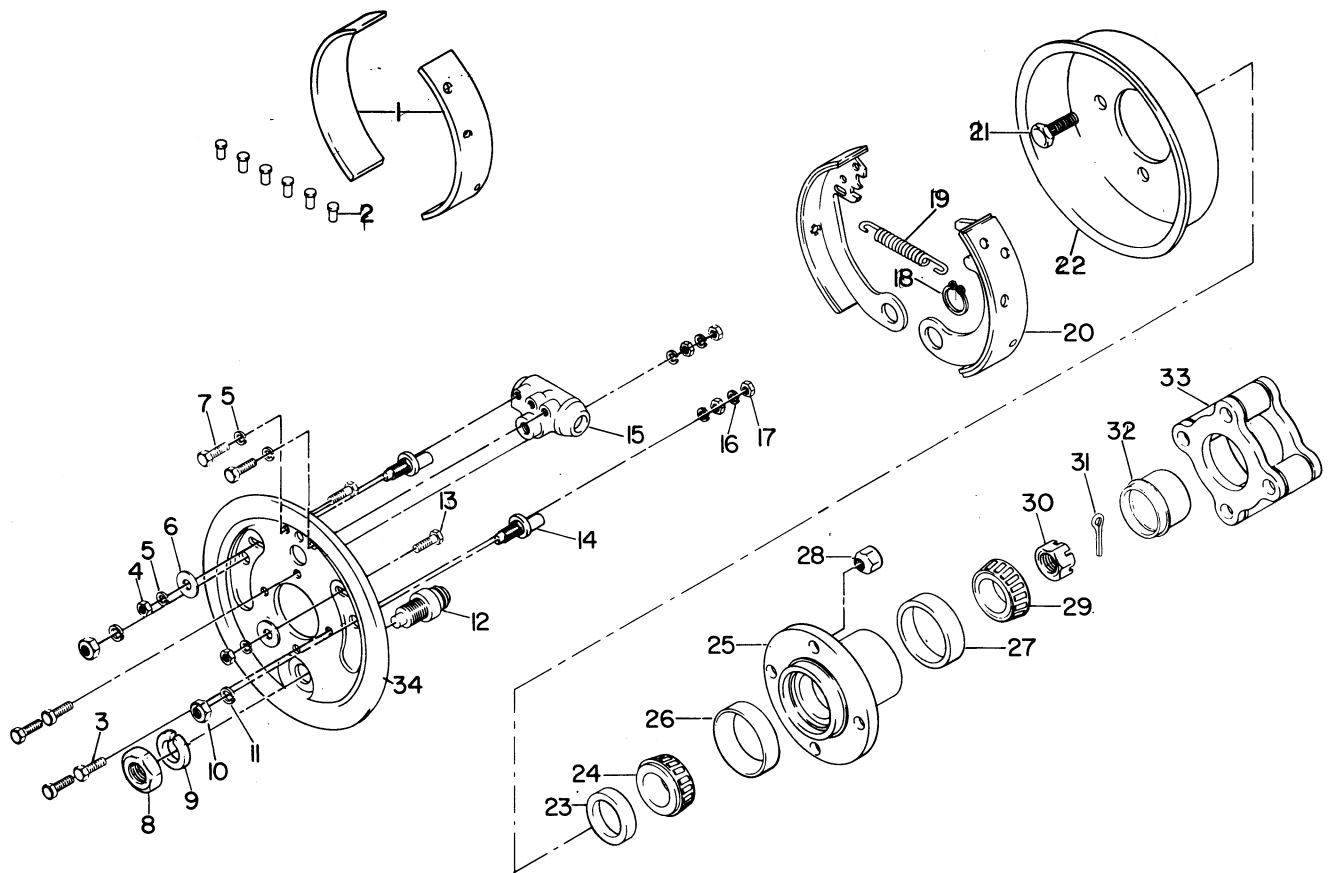
MASTER CYLINDER AND WHEEL CYLINDER

REF. NO.	PART NO.	DESCRIPTION	NO. REQ'D	REF. NO.	PART NO.	DESCRIPTION	NO. REQ'D
1	807344	Master cylinder	1	10	811919	Washer, master cylinder	1
2	810393	Fitting, screw	1	11	811928	Boot, master cylinder	1
3	810444	Washer, outer fitting seal	1	12	811918	Push rod, master cylinder	1
4	810448	Fitting, brass, "U"	1	13	800114	Plug, sq. hd.	1
5	810443	Washer, inner fitting seal	1	14	807343	Wheel cylinder	1
6	811929	Gasket, filler cap	1	15	811910	Piston, wheel cylinder	2
7	811773	Cap, filler	1	16	811794	Bleeding nipple	1
8	811917	Spring, master cylinder	1	17	811775	Repair kit, wheel cylinder	1
9	811774	Repair kit, master cylinder	1	18	811911	Spring, wheel cylinder	1



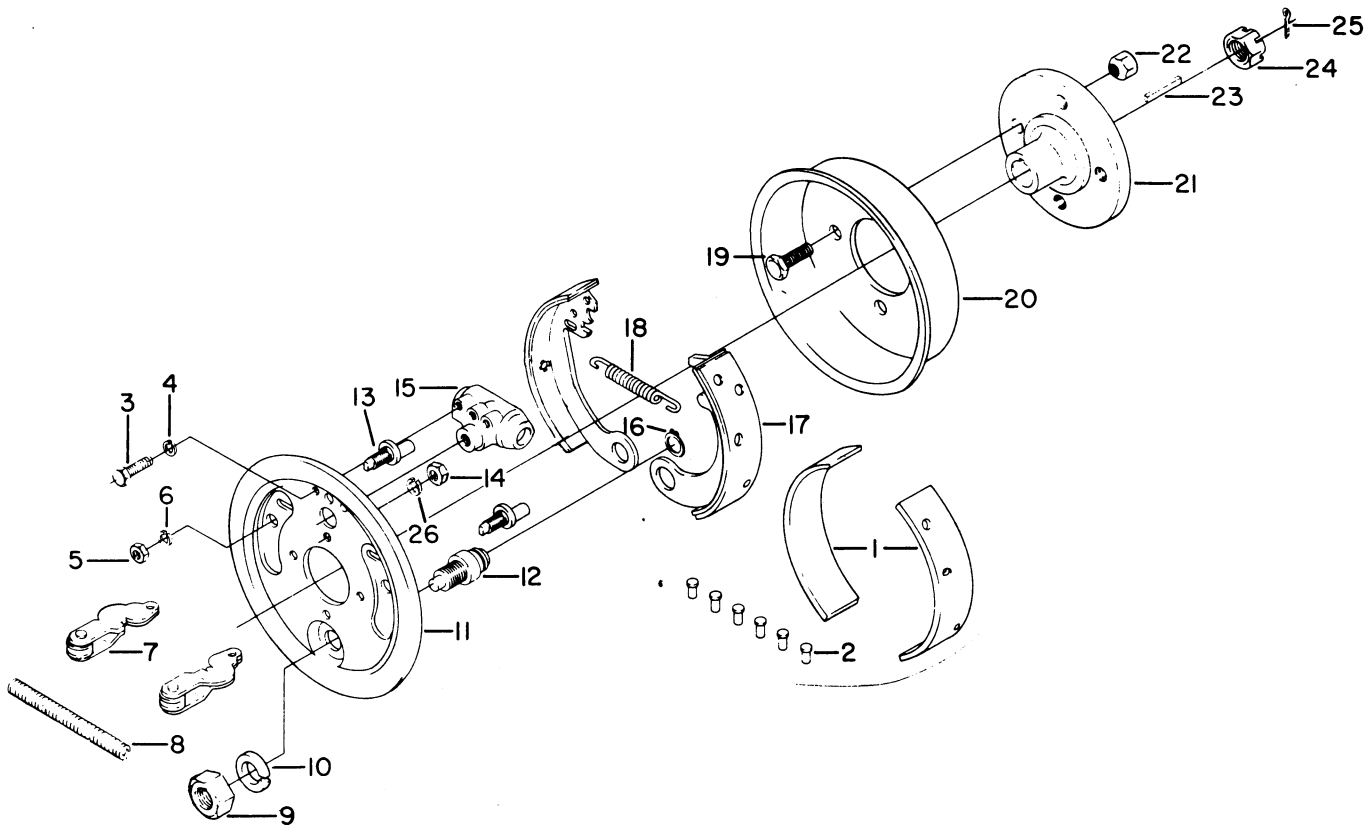
HYDRAULIC BRAKE LINES

REF. NO.	PART NO.	DESCRIPTION	NO. REQ'D	REF. NO.	PART NO.	DESCRIPTION	NO. REQ'D
1	807343	Wheel cylinder	4	10	809425	Coupler	1
2	815421	Tube, left	1	11	806825	Switch, stop light	1
3	815419	Bracket, coupling	1	12	820963	Tube, tee fitting to rear axle	1
4	809137	Clip, brake tube	6	13	809424	Tee	1
5	809426	Tee fitting, rear	2	14	807344	Master cylinder	1
6	810435	Clip	1	15	820956	Tube, master cylinder to tee	1
7	815422	Tube, right	1	16	817938	Tube, flexible	2
8	815429	Tube, flexible, front axle to main frame	1	17	820957	Tube, master cylinder to front hose	1
		rear axle to main frame	1	18	820958	Tube, left front axle	1
9	812445	Clamp	3	19	820959	Tube, right front axle	1



FRONT WHEEL AND BRAKE

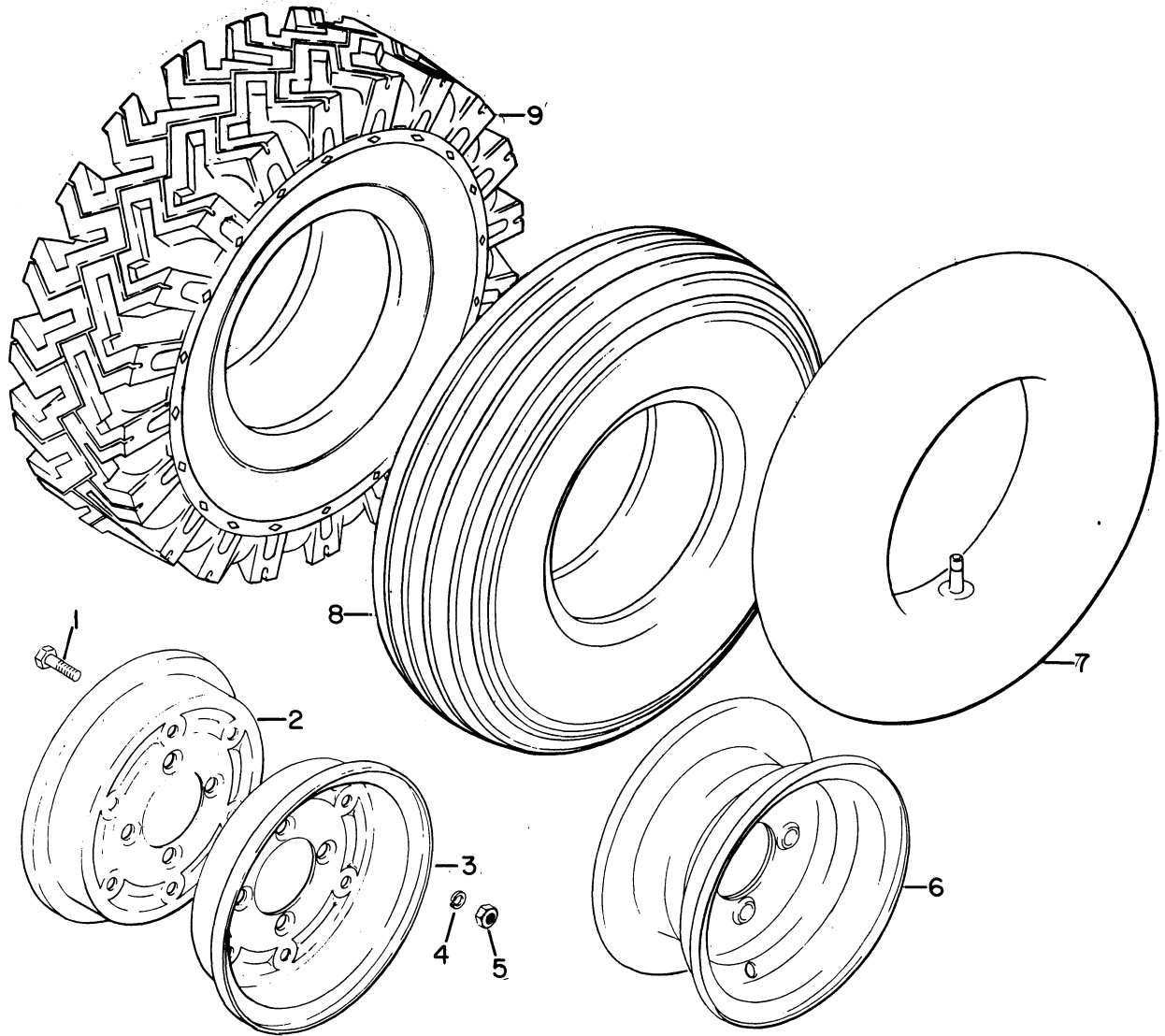
Ref. No.	Part No.	Description	Per Wheel	Ref. No.	Part No.	Description	Per Wheel
1	878159	Lining set, w/rivets	1	20	876324	Shoe, w/lining	2
2	800152	Rivet, brass tubular	12	21	806274	Screw, (1 7/16" long)	4
3	306555	Screw, 5/16-18 x 5/8	4		815838	Screw, (3 3/16" long)	4
4	306375	Nut, 1/4-20	2	22	805030	Drum, brake	1
5	306396	Lockwasher, 1/4	4	23	817928	Seal	1
6	815680	Washer, hole plug	2	24	815403	Cone, bearing, inner	1
7	306419	Screw, 1/4-20 x 1/2	2	25	881109	Hub, w/bearing cups	1
8	130084	Nut, 5/8-18	1	26	814474	Cup, bearing, inner	1
9	306494	Lockwasher, 5/8	1	27	808088	Cup, bearing, outer	1
10	306319	Nut, 3/8-24	2	28	805860	Nut, wheel mounting	4
11	306353	Lockwasher, 3/8	2	29	808089	Cone, bearing, outer	1
12	806758	Heel pin	1	30	311537	Nut, 3/4-16	1
13	306487	Screw, 1/4-20 x 5/8	2	31	304636	Pin, cotter, 1/8 x 1 1/8	1
14	806761	Pin, adjusting	2	32	817250	Cover	1
15	807343	Wheel cylinder (1)	1	33	882239	Spacer (8.50 x 8 tire)	1
16	306325	Lockwasher, 5/16	4	34	876519	Backing plate	1
17	306932	Nut, 5/16-18	4				
18	809252	Ring, retaining	1				
19	805441	Spring, brake	1				
				(1)		Refer to wheel cylinder breakdown for replacement parts. Page 54.	



REAR WHEEL AND BRAKE ASSEMBLY

REF. NO.	PART NO.	DESCRIPTION	NO. REQ'D	REF. NO.	PART NO.	DESCRIPTION	NO. REQ'D
1	878159	Lining set w/rivets	1	14	306932	Nut, 5/16—18	4
2	800318	Rivet, brass tubular	12	15	807343	Wheel cylinder	1
3	306419	Screw, 1/4—20 x 1/2	2	16	809252	Retaining ring	1
4	306396	Lockwasher, 1/4	4	17	876324	Brake shoe w/lining	2
5	306319	Nut, 3/8—24	2	18	805441	Spring, brake shoe	1
6	306353	Lockwasher, 3/8	2	19	806274	Screw, (1 7/16" long)	4
7	876732	Brake lever	2			or	
8	810380	Spring, brake lever	1		815838	Screw, (3 3/16" long)	4
9	130084	Nut, 5/8—18	1	20	805030	Drum, brake	1
10	306494	Lockwasher, 5/8	1	21	815432	Hub (5.00 x 8 tires)	1
11	876519	Dust Shield (Models w/rear wheel parking brake)	1			or	
	882200	Dust Shield (Models w/rear wheel parking brake and speedometer)	1		815839	Hub (8.50 x 8 tires)	1
	883026	Dust Shield (Models w/driveshaft parking brake and w/speedometer)	1		821152	Hub (5.00 x 8 tires and speedometer)	1
	883027	Dust Shield (Models w/driveshaft parking brake and w/o speedometer)	1		821434	Hub (8.50 x 8 tires and speedometer)	1
12	806758	Heel pin	1	22	805860	Nut, wheel mounting	4
13	806761	Pin, adjustment	2	23	805875	Key, hub	1
				24	805843	Nut, hub retaining	1
				25	304636	Cotter pin, 1/8 x 1 1/8	1
				26	306325	Lockwasher, 5/16	1

INDENTED PART NAMES INDICATE THESE PARTS ARE INCLUDED IN PREVIOUS ASSEMBLY.



TIRES AND RIMS
(5.00 x 8)

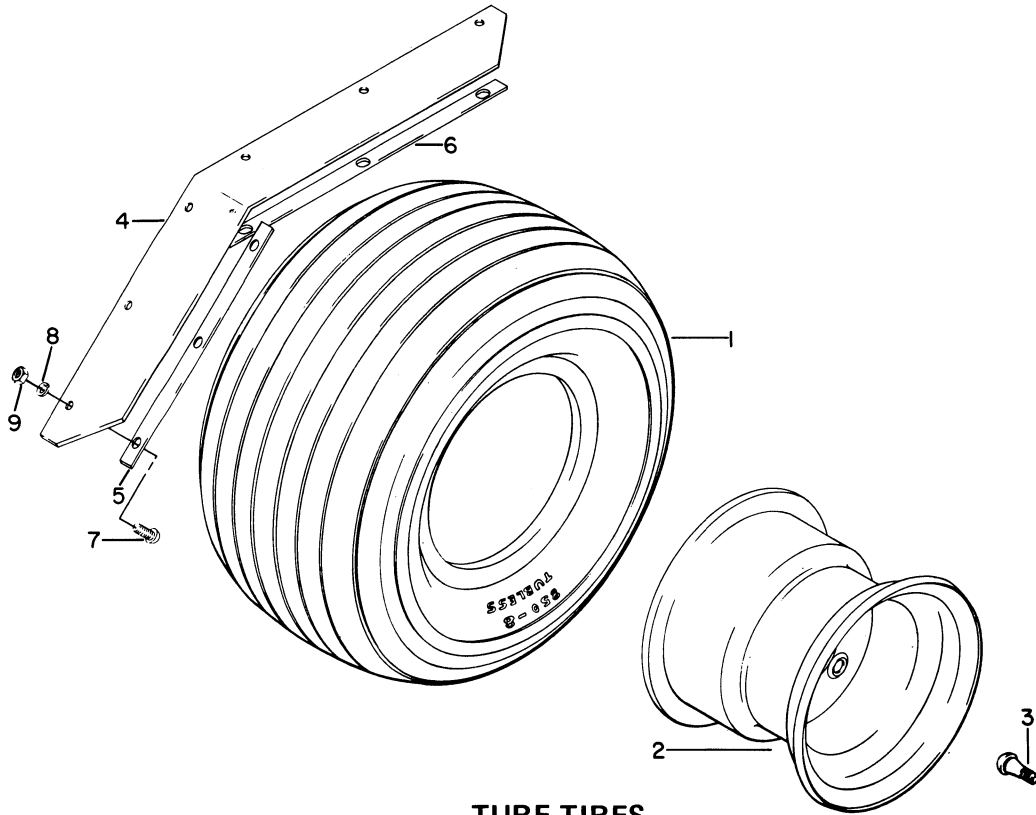
REF. NO.	PART NO.	DESCRIPTION	PER WHEEL	REF. NO.	PART NO.	DESCRIPTION	PER WHEEL
1	800385	Screw, 3/8-16 x 3/4	6	6	820312	Rim-6-ply tires	1
2	807279	Rim half, inner-2 or 4 ply tires	1	7	*	Tube-5.00 x 8	1
3	807278	Rim half, outer-2 or 4 ply tires	1	8	*	Tire-5.00 x 8-2, 4 or 6-ply	1
4	120177	Lockwasher, 3/8	6	9	*	Tire-5.00 x 8-4-ply extra grip	1
5	306562	Nut, 3/8-16 hex.	6				

*Obtain locally

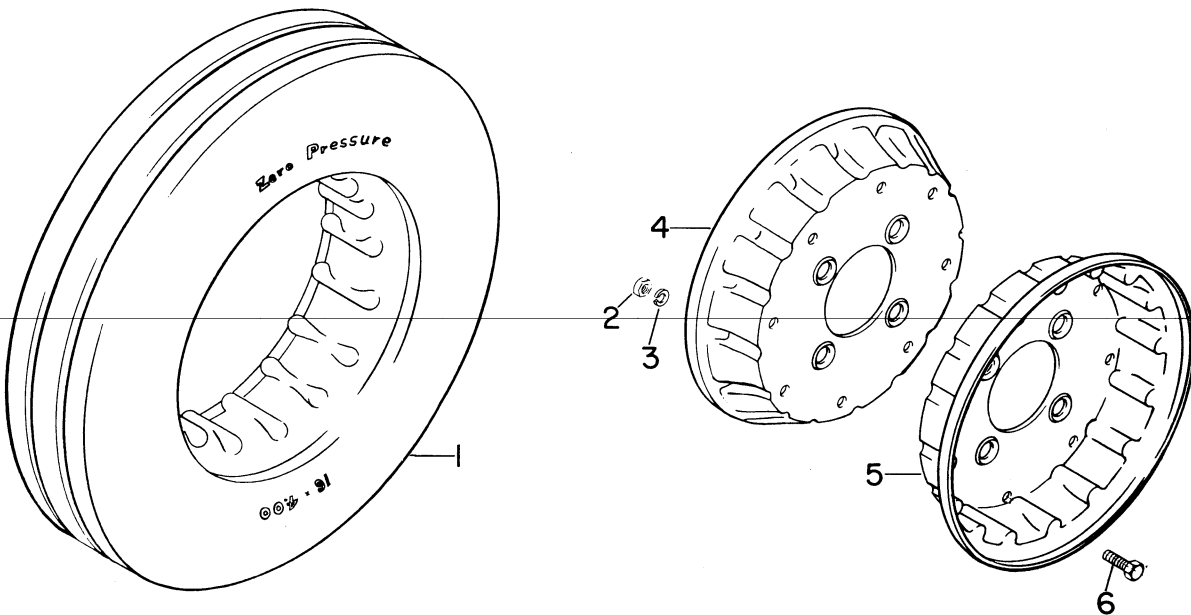
TURF TIRES
(8.50 x 8)

(Illustrated on page 59)

REF. NO.	PART NO.	DESCRIPTION	PER WHEEL	REF. NO.	NO. REQ'D	DESCRIPTION	PER WHEEL
1		Tire, 8.50 x 8, obtain locally	2	6	821003	Strap	2
2	815474	Rim, 8.50 x 8	4	7	800026	Screw, 1/4-20 x 3/4	12
3	814687	Valve	1	8	306396	Lockwasher	12
4	821002	Fender, flexible	2	9	306375	Nut, 1/4-20	12
5	821004	Strap	2				

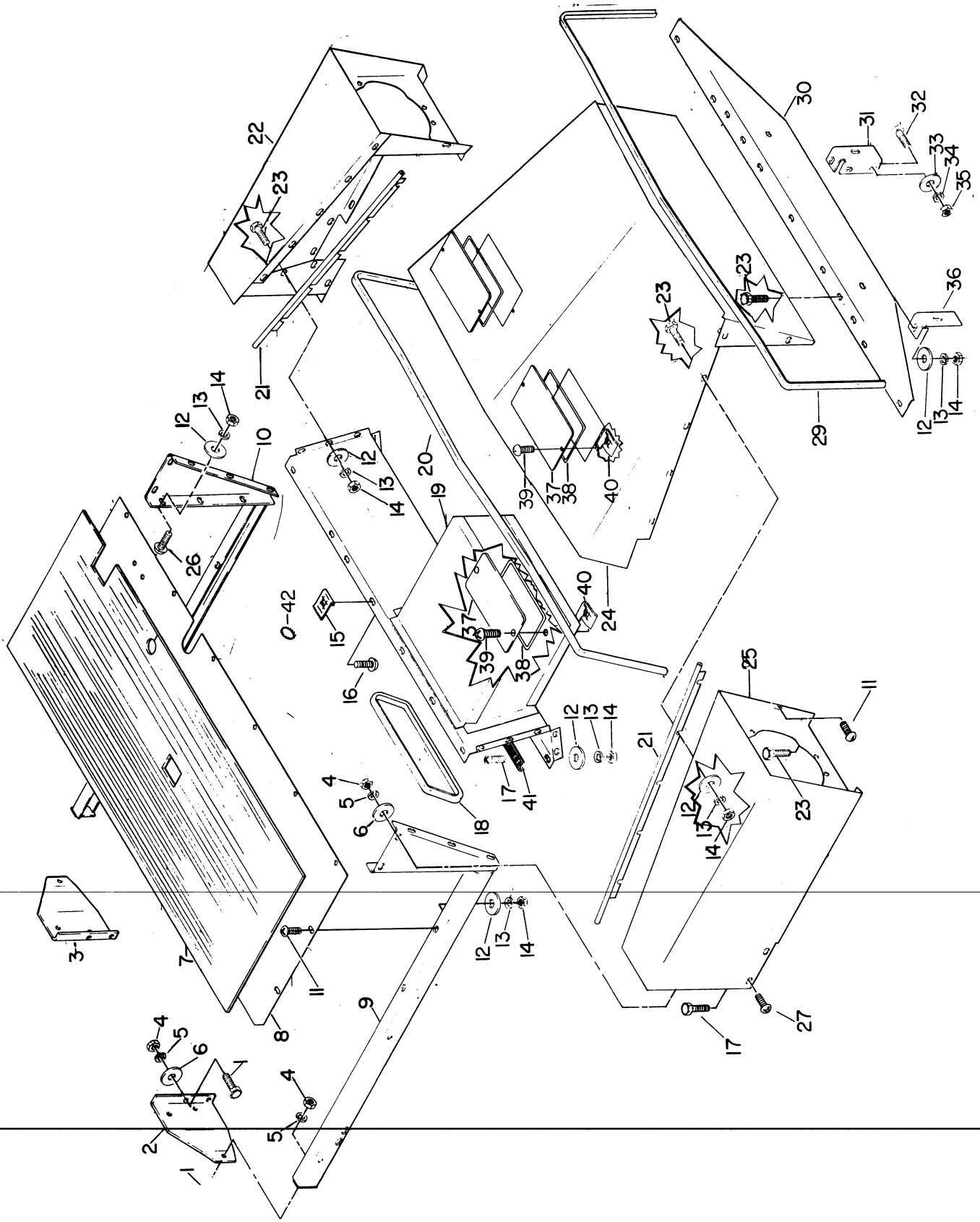


TURF TIRES
(8.50 x 8)
(List on page 58)



ZERO PRESSURE TIRES

REF. NO.	PART NO.	DESCRIPTION	PER WHEEL	REF. NO.	PART NO.	DESCRIPTION	PER WHEEL
1	807271	Tire, 4.00 x 16 zero pressure	1	4	812034	Rim, zero pressure tire—inner	1
2	306375	Nut, 1/4-20 hex.	8	5	812033	Rim, zero pressure tire—outer	1
3	306396	Lockwasher, 1/4	8	6	300646	Screw, 1/4-20 x 3/4 hex. hd.	8



FRONT PANEL AND FLOORBOARD

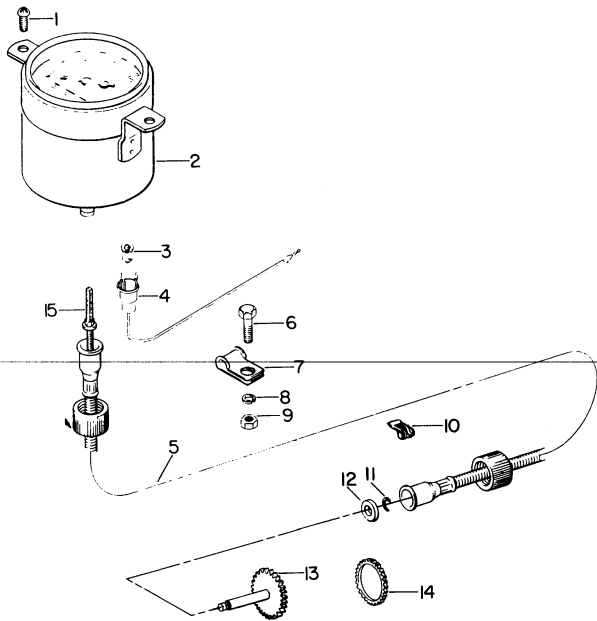
(Listed on page 61)

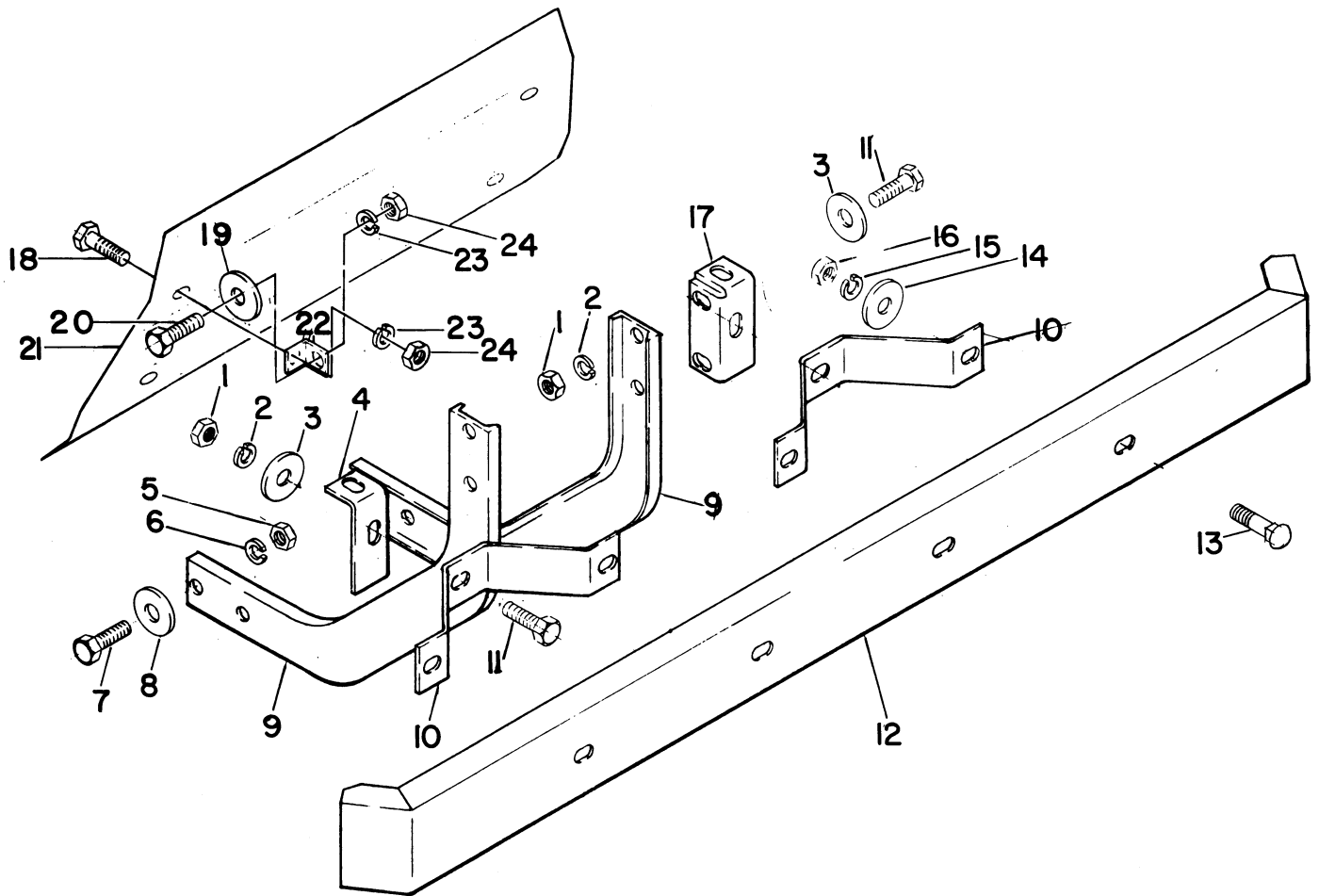
FRONT PANEL AND FLOORBOARD
(Illustrated on page 60)

Ref. No.	Part No.	Description	No. Req'd	Ref. No.	Part No.	Description	No. Req'd
1	306450	Screw, 5/16-18 x 3/4	6	23	306487	Screw, 1/4-20 x 5/8	31
2	820825	Bracket, support, right	1	24	882079	Panel, hood	1
3	820826	Bracket, support, left	1	25	882077	Fender, right	1
4	306932	Nut, 5/16-18 hex	10	26	800019	Screw, 1/4-20 x 1/2	6
5	306325	Lockwasher, 5/16	10	27	800177	Screw, 5/16-18 x 3/4 P.T.H.	4
6	103867	Washer, 5/16 plain	8	29	820987	Trim, front body, front	1
7	820827	Floor mat	1	30	820999	Shield, modesty	1
8	882076	Floorboard	1	31	821001	Bracket, left	1
9	882073	Support, right	1	32	306414	Screw, 3/8-16 x 1 hex. hd	4
10	882072	Support, left	1	33	306981	Washer, 3/8 plain	4
11	800026	Screw, 1/4-20 x 3/4 P.T.H.	14	34	120177	Lockwasher, 3/8	4
12	308090	Washer, 1/4 plain	61	35	306562	Nut, 3/8-16 hex.	4
13	306396	Lockwasher, 1/4	61	36	821000	Bracket, right	1
14	306375	Nut, 1/4-20 hex.	61	37	816611	Door	3
15	800325	Nut, No. 14A speed, Type "J"	7	38	816610	Gasket	3
16	800327	Screw, No. 14A x 5/8 self-tapping	7	39	800144	Screw, No. 10-24 x 5/8 P.T.H.	6
17	800277	Screw, 1/4-20 x 5/8	10	40	800170	Nut, No. 10-24 type "J"	6
18	820989	Trim, glove box	1	41	821397	Trim, front panel	1
19	882133	Panel, filler and glove box	1	42	816090	Plug	1
20	820988	Trim, front panel, rear	1				
21	821016	Welting	2				
22	882078	Fender, left	1				

SPEEDOMETER

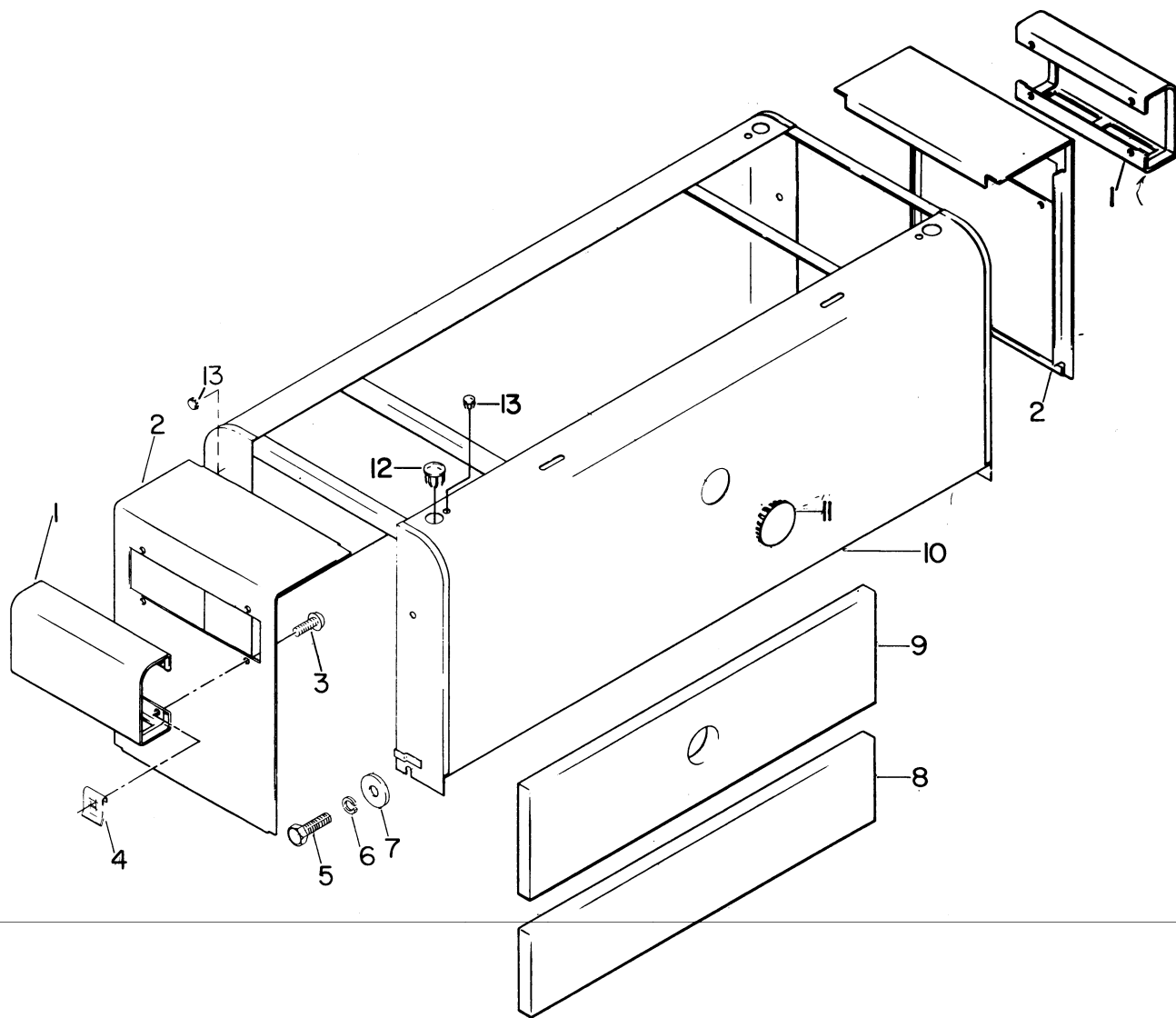
Ref. No.	Part No.	Description	No. Req'd
1	317358	Screw, No. 10-32 x 5/8 truss hd.	2
2	880844	Speedometer head	1
3	811953	Bulb	1
4	817513	Light, harness	1
5	821339	Cable assembly, speedometer	1
6	306419	Screw, 1/4-20 x 1/2 hex. hd.	2
7	809143	Clip	2
8	306396	Lockwasher, 1/4	2
9	306375	Nut, 1/4-20 hex.	2
10	813840	Clip	1
11	809257	Retaining ring	1
12	809018	Spacer	1
13	821153	Gear, driven	1
14	821154	Gear, drive	1
15	821342	Core, cable	1
	823538	Grommet - not illustrated	1





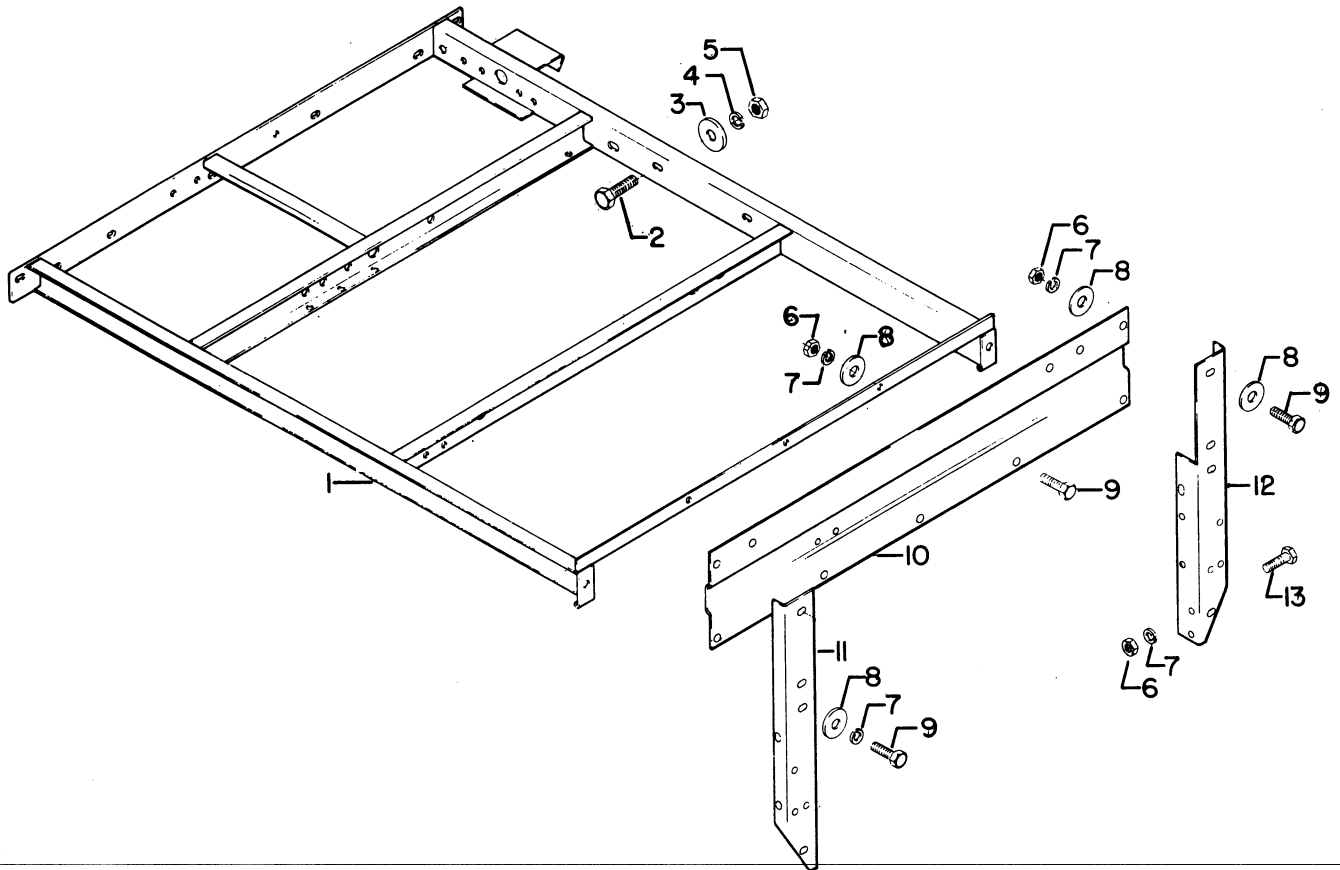
FRONT BUMPER

Ref. No.	Part No.	Description	No. Req'd	Ref. No.	Part No.	Description	No. Req'd
1	306562	Nut, 3/8-16	6	13	800085	Bolt, 5/16-18 x 1	4
2	120177	Lockwasher, 3/8	6	14	103867	Washer, 5/16	4
3	306981	Washer, 3/8	6	15	306325	Lockwasher, 5/16	4
4	821000	Bracket, right	1	16	306932	Nut, 5/16-18	4
5	301988	Nut, 1/2-20	4	17	821001	Bracket, left	1
6	120166	Lockwasher, 1/2	4	18	306487	Screw, 1/4-20 x 5/8	4
7	306875	Screw, 1/2-20 x 1 1/2	4	19	308090	Washer, 1/4	4
8	308091	Washer, 1/2	4	20	300646	Screw, 1/4-20 x 3/4	4
9	820998	Support, front bumper	2	21	821056	Shield	1
10	820997	Bracket, front bumper	2	22	816187	Bracket	4
11	306414	Screw, 3/8-16 x 1	6	23	306396	Lockwasher, 1/4	8
12	820996	Bumper, front	1	24	306375	Nut, 1/4-20	8



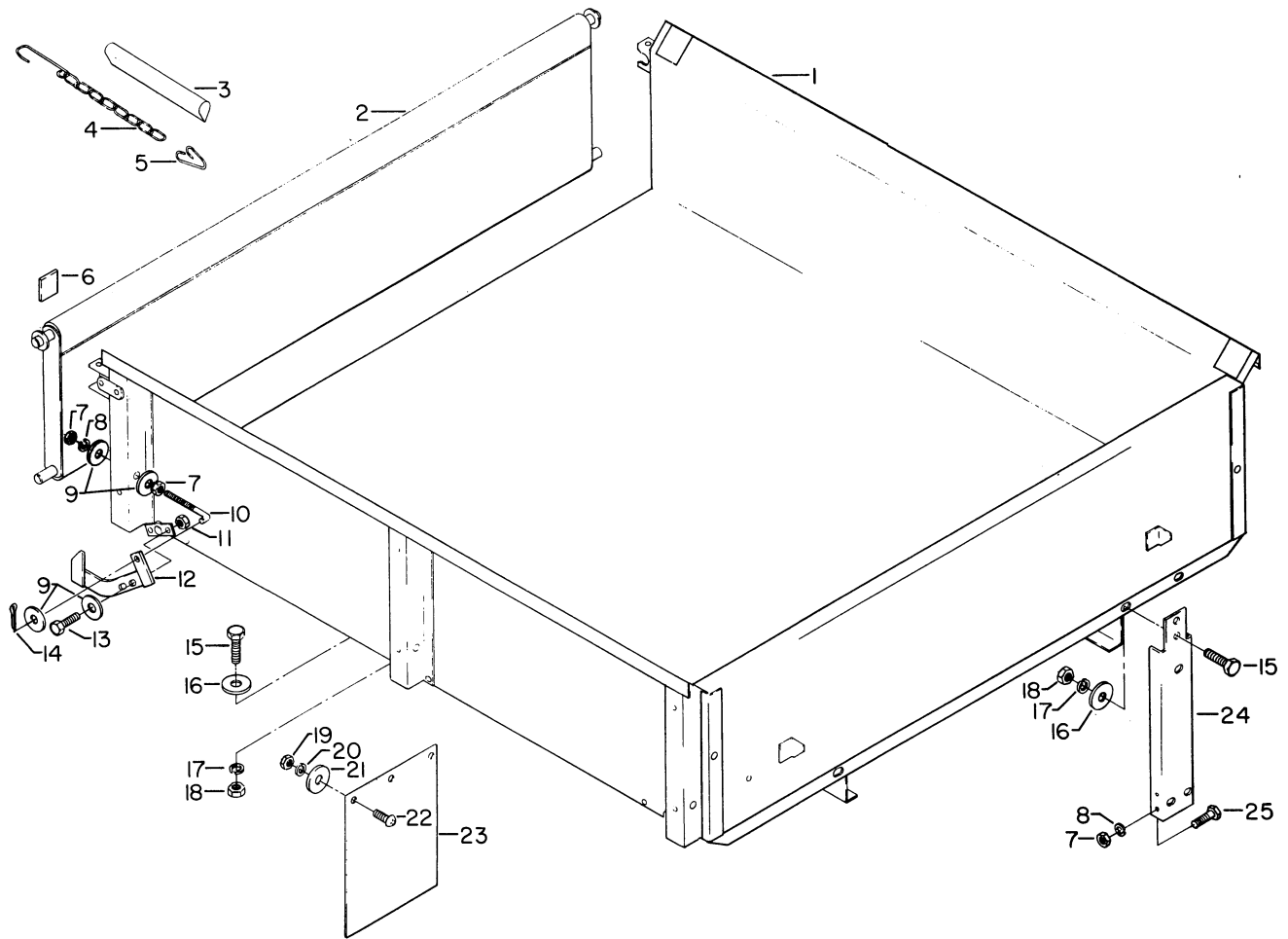
ENGINE COVER

Ref. No.	Part No.	Description	No. Req'd	Ref. No.	Part No.	Description	No. Req'd
1	816978	Inlet, air	2	8	816986	Insulation, front lower	1
2	880049	Panel, side	2	9	816985	Insulation, front upper	1
3	800277	Screw, ¼-20 x 5/8 P.T.H.	8	10	882120	Engine cover	1
4	800196	Nut, ¼-20 speed, Type "J"	8	11	816698	. Hole plug	1
5	300646	Screw, ¼-20 x ¼ hex. hd.	4	12	816090	. Hole plug	2
6	306396	Lockwasher, ¼	4	13	811733	. Hole plug	2
7	308090	Washer, ¼ plain	4				



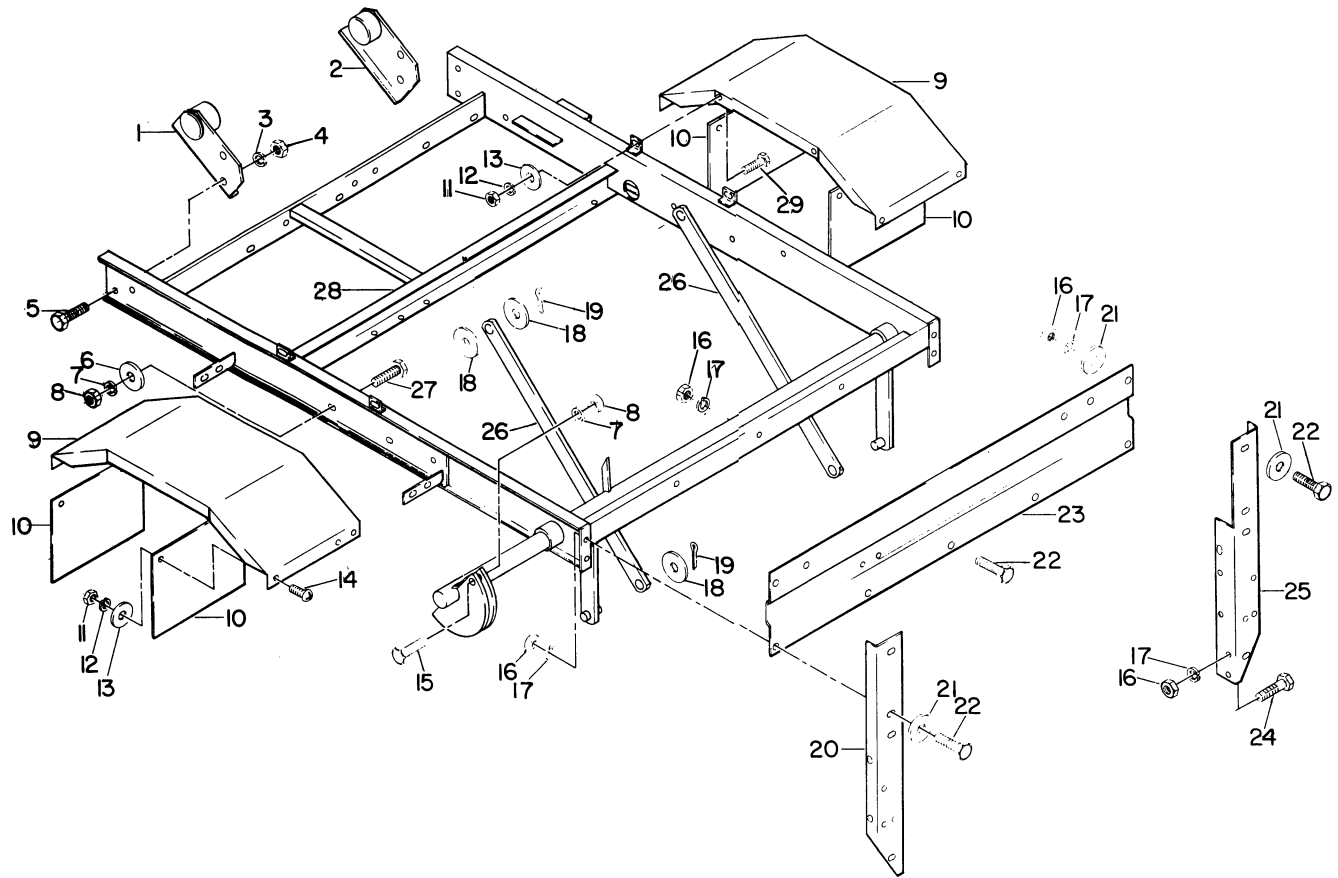
PLATFORM

REF. NO.	PART NO.	DESCRIPTION	NO. REQ'D	REF. NO.	PART NO.	DESCRIPTION	NO. REQ'D
1	879915	Platform	1	8	103867	Washer, 5/16 plain	8
2	306414	Screw, 3/8-16 x 1 hex. hd.	4	9	306450	Screw, 5/16-18 x 3/4 hex.	6
3	306981	Washer, 3/8 plain	4	10	812312	Panel, front	1
4	120177	Lockwasher, 3/8	4	11	815359	Upright, right	1
5	306562	Nut, 3/8-16 hex.	4	12	815360	Upright, left	1
6	306932	Nut, 5/16-18 hex.	8	13	306450	Screw, 5/16-18 x 3/4 hex. hd.	4
7	306325	Lockwasher, 5/16	10				



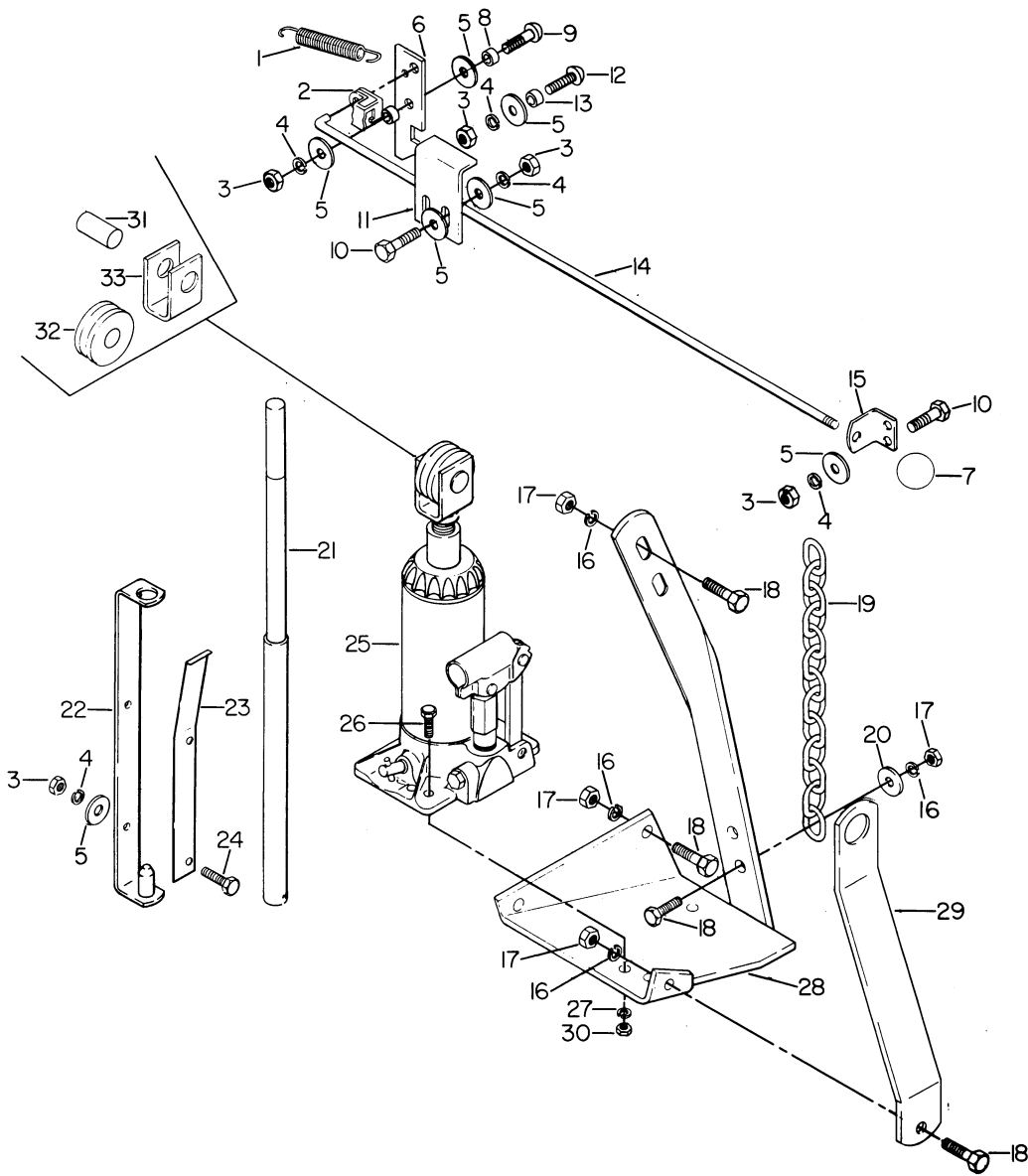
PICKUP BOX AND DUMP BOX

Ref. No.	Part No.	Description	No. Req'd	Ref. No.	Part No.	Description	No. Req'd
1	881895	Pickup and dump box (wide)	1	14	306328	Pin, cotter	1
2	881845	Tailgate	1	15	306414	Screw, 3/8"	4
3	809978	Cover, chain	2	16	306981	Washer, 33/8"	4
4	820434	Chain w/hook	2	17	120177	Lockwasher, 3/8"	4
5	808222	Link, chain to box	2	18	306562	Nut, 3/8"	4
6	821767	Bumper	2	19	306375	Nut, 1/4"	4
7	306932	Nut, 5/16"	6	20	306396	Lockwasher, 1/4"	4
8	306325	Lockwasher, 5/16"	4	21	308090	Washer, 1/4"	4
9	103867	Washer, 5/16"	8	22	300646	Screw, 1/4" P.T.H.	4
10	824942	Stop, latch	1	23	821986	Mud flap (wide box pickup only)	2
11	800290	Locknut, 5/16"	4	24	816736	Support, upright (pickup only)	2
12	881943	Latch, right	1	25	306416	Screw, 5/16"	4
	881944	Latch, left	1				
13	306322	Screw, 5/16"-18 x 7/8"	4				



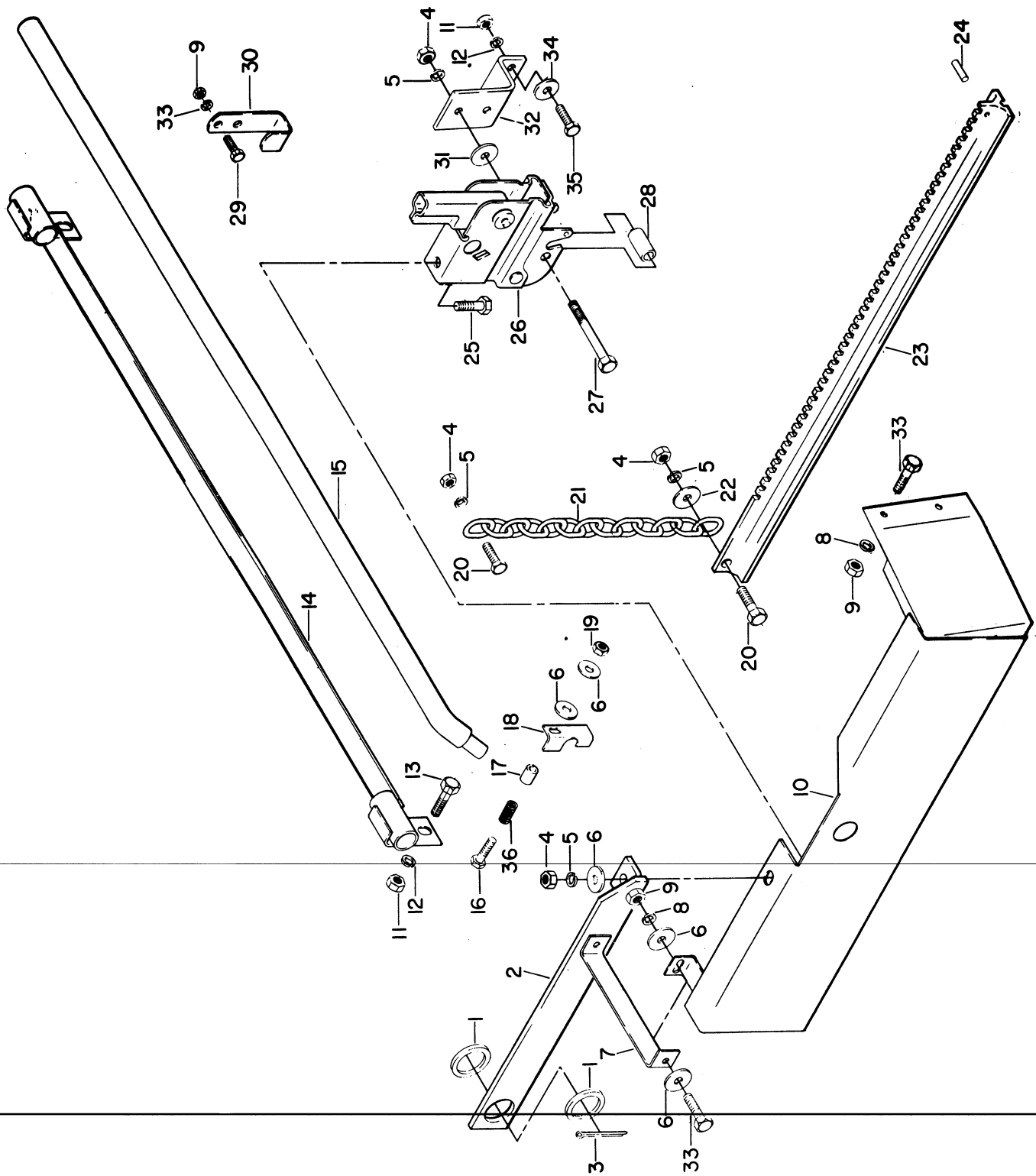
DUMP BOX PLATFORM

REF. NO.	PART NO.	DESCRIPTION	NO. REQ'D	REF. NO.	PART NO.	DESCRIPTION	NO. REQ'D
1	881846	Pivot, right	1	16	306932	Nut, 5/16-18 hex.	13
2	881847	Pivot, left	1	17	306325	Lockwasher, 5/16	13
3	303269	Lockwasher, 7/16	4	18	809156	Washer	6
4	304364	Nut, 7/16-14 hex.	4	19	120219	Pin, cotter, 3/32 x 1	4
5	130538	Screw, 7/16-14 x 1 1/4 hex. hd.	4	20	815359	Upright, right	1
6	306981	Washer, 3/8	4	21	103867	Washer, 5/16	4
7	120177	Lockwasher, 3/8	5	22	306450	Screw, 5/16-18 x 3/4 hex. hd.d	8
8	306562	Nut, 3/8-16 hex.	5	23	812312	Panel, front	1
9	820436	Fender	2	24	306450	Screw, 5/16-18 x 3/4 hex. hd.	4
10	820431	Mud flap	4	25	815360	Upright, left	1
11	306375	Nut, 1/4-20 hex.	16	26	820368	Arm, pivot	2
12	306396	Lockwasher, 1/4	16	27	306414	Screw, 3/8-16 x 1 hex. hd.d	4
13	308090	Washer, 1/4	12	28	882176	Frame, (ratchet lift)	1
14	800019	Screw, 1/4-20 x 1/2 P.T.H.	12	29	882351	Frame, (hydraulic lift)	1
15	302600	Screw, 3/8-16 x 1 1/2 hex. hd.	1		306419	Screw, 1/4-20 x 1/2 hex. hd.	4



TILT CONTROLS
(HYDRAULIC)

REF. NO.	PART NO.	DESCRIPTION	NO. REQ'D	REF. NO.	PART NO.	DESCRIPTION	NO. REQ'D
1	817119	Spring	1	18	306414	Screw	6
2	817303	Clip	1	19	821621	Chain	1
3	306375	Nut, 1/4	11	20	306981	Washer	1
4	306396	Lockwasher, 1/4	8	21	882349	Jack handle	1
5	308090	Washer, 1/4	9	22	882346	Holder	1
6	821615	Latch	1	23	822220	Bracket, holder	1
7	812997	Ball, latch rod	1	24	300646	Screw	2
8	805245	Bushing	2	25	882350	Jack	1
9	800017	Screw, 1/4	1	26	306416	Screw	2
10	800277	Screw, 1/4	4	27	306325	Lockwasher	2
11	821618	Latch, box	1	28	882332	Base plate, jack	1
12	800263	Screw	1	29	821503	Support	1
13	810379	Bushing	1	30	306932	Nut	2
14	821616	Rod, latch	1	31	821614	Pin	1
15	821617	Bracket	1	32	821612	Roller	1
16	120177	Lockwasher	6	33	821613	Yoke	1
17	306562	Nut	6				



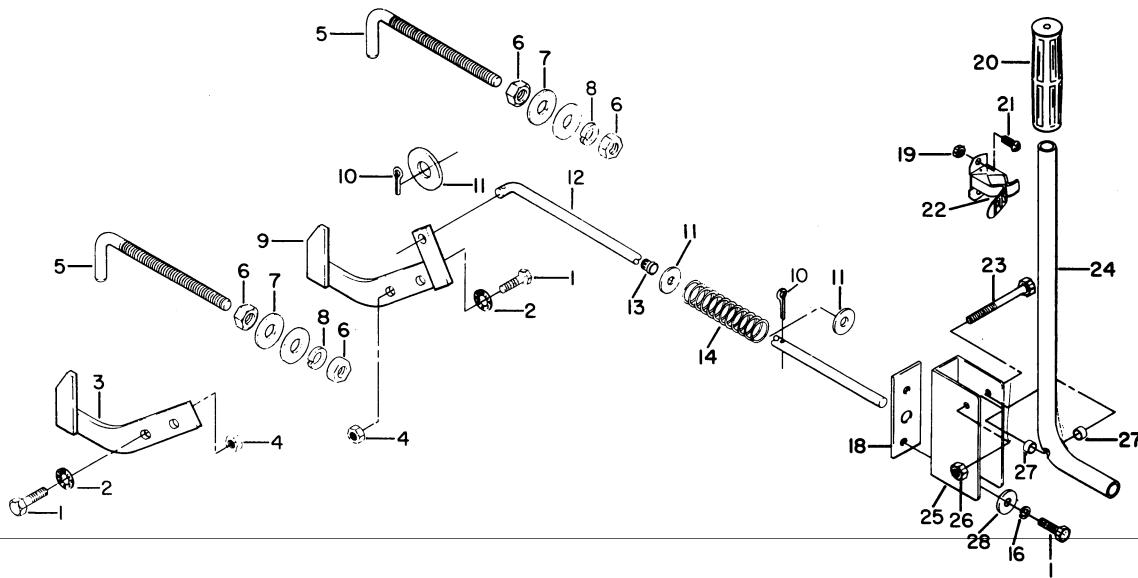
TILT CONTROLS
 (Ratchet)
 (List on page 69)

TILT CONTROLS

(Ratchet)

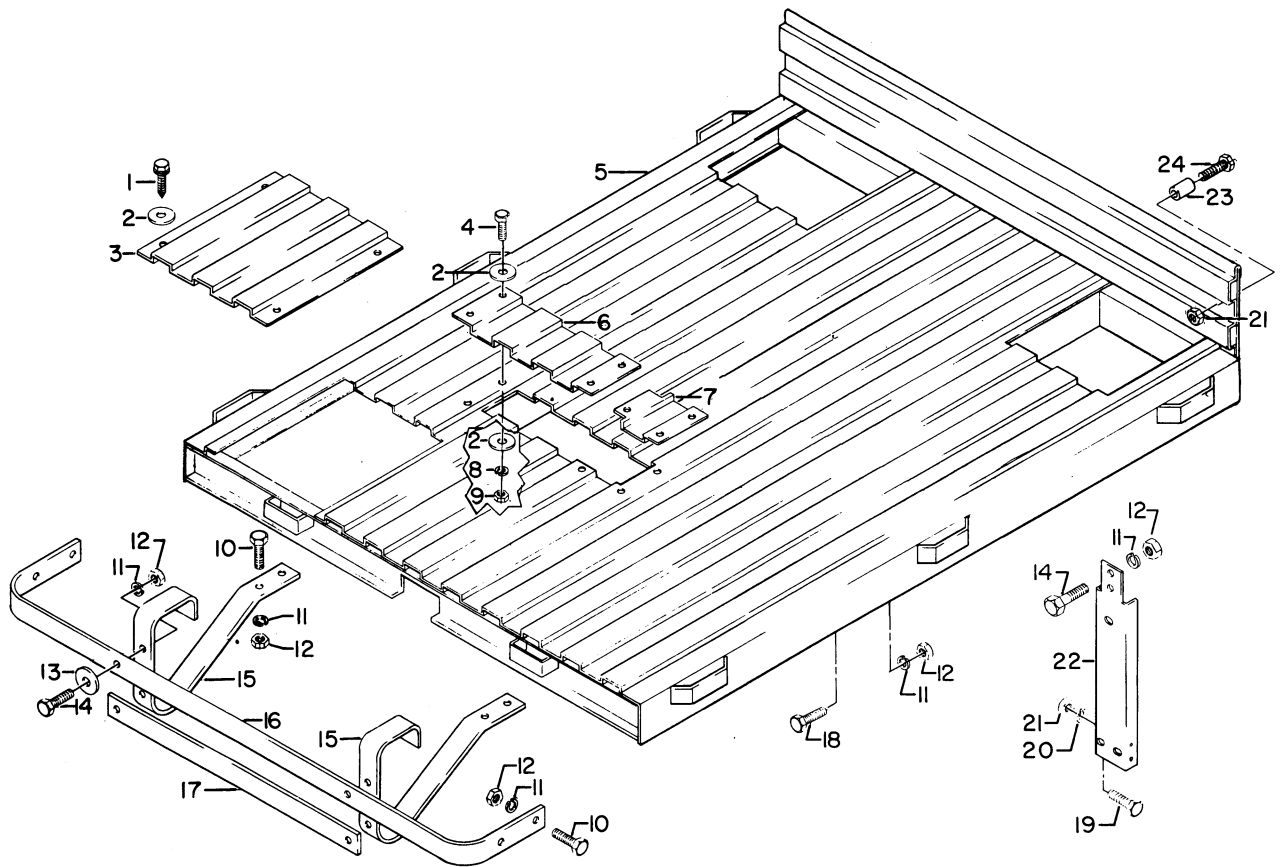
(Illustrated on page 68)

REF. NO.	PART NO.	DESCRIPTION	NO. REQ'D		PART NO.	DESCRIPTION	NO. REQ'D
1	820484	Washer	2	19	800059	Nut, 1/4-20 hex. center lock	1
2	881982	Brace	1	20	302600	Screw, 3/8-16 x 1 1/2 hex. hd.	2
3	304638	Pin, cotter, 3/16 x 2 1/2	1	21	820441	Chain	1
4	306562	Nut, 3/8-16 hex.	4	22	306981	Washer, 3/8 plain	1
5	120177	Lockwasher, 3/8	4	23	820510	Bar, jack	1
6	308090	Washer, 1/4 plain	3	24	315630	Pin, roll	1
7	821284	Support, jack guard	1	25	306414	Screw, 3/8-16 x 1 hex. hd.	1
8	306396	Lockwasher, 1/4	7	26	881984	Jack	1
9	306375	Nut, 1/4-20 hex.	7	27	301431	Screw, 1/4-20 x 1/2 hex. hd.	1
10	881947	Guard, jack	1	28	820433	Bushing	1
11	306932	Nut, 5/16-18	4	29	306419	Screw, 1/4-20 x 1/2 hex. hd.	2
12	306325	Lockwasher, 5/16	4	30	820526	Saddle, jack handle	1
13	306450	Screw, 1/4-20 x 3/4 hex. hd.	2	31	604174	Spacer	1
14	881955	Tube, handle storage	1	32	820968	Bracket	1
15	881969	Handle	1	33	300646	Screw, 1/4-20 x 3/4 hex. hd.	6
16	303459	Screw, 1/4-20 x 1 1/2 hex. hd.	1	34	103867	Washer, 5/16	2
17	819647	Spacer	1	35	306416	Screw, 5/16-18 x 1 hex. hd.	2
18	820637	Catch, jack handle	1				



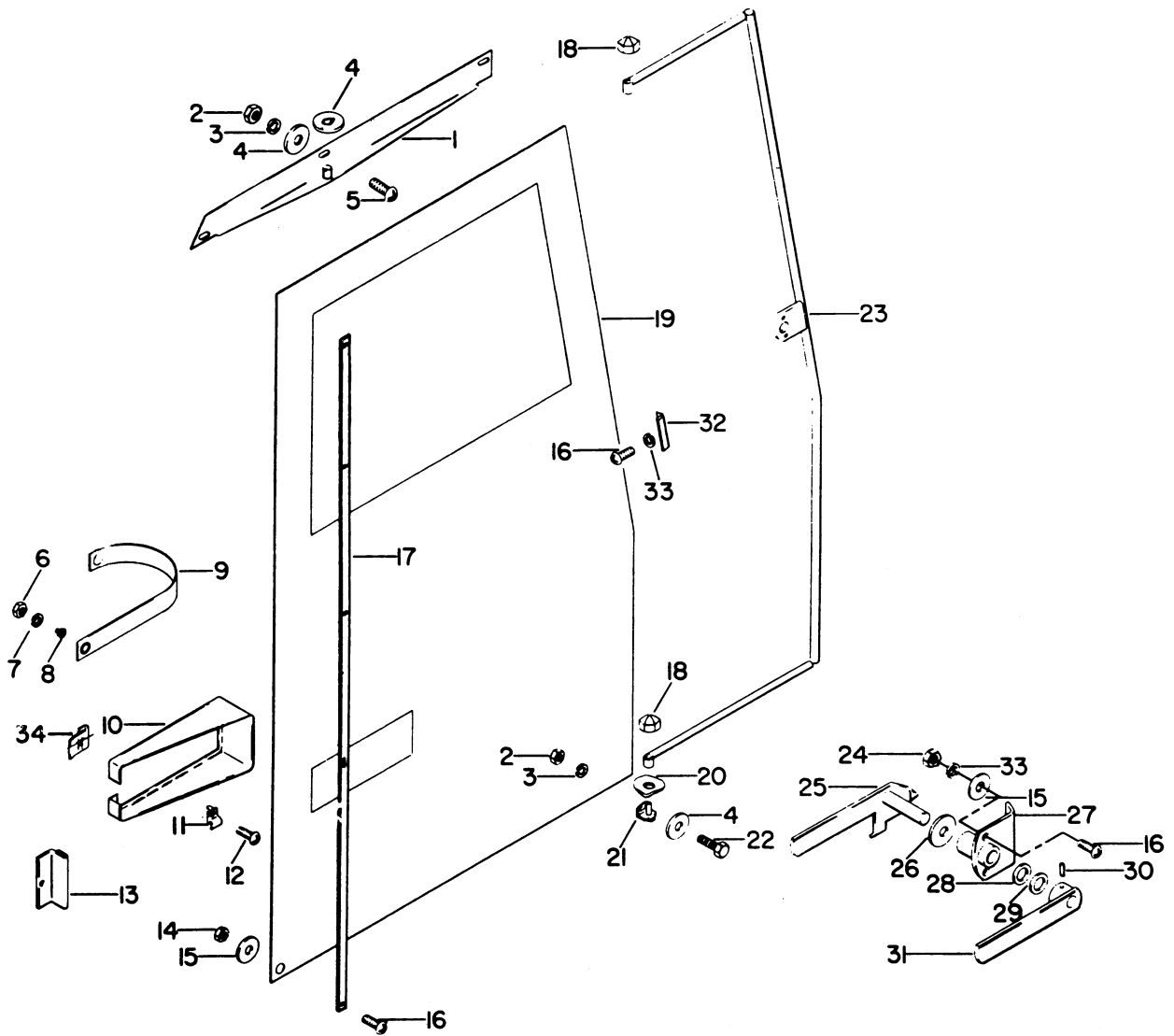
TAILGATE RELEASE

REF. NO.	PART NO.	DESCRIPTION	NO. REQ'D		PART NO.	DESCRIPTION	NO. REQ'D
1	306450	Screw, 5/16-18 x 3/4	6	15	306932	Nut, 5/16-18	2
2	304202	Lockwasher, 5/16	4	16	306325	Lockwasher, 5/16	2
3	881943	Latch, right	1	17	311866	Pin, roll	1
4	302103	Nut, 5/16-18	4	18	882175	Plate, release mounting	1
5	820388	Stop, tailgate	2	19	800053	Nut, No. 10-24	2
6	304364	Nut, 7/16-14	4	20	807472	Grip, handle	1
7	306982	Washer, 7/16	4	21	130255	Screw, No. 10-24 x 1/4	2
8	303269	Lockwasher, 7/16	2	22	821304	Holder, snap	1
9	881944	Latch, left	1	23	130167	Screw, 5/16-18 x 2 1/4	1
10	306328	Pin, cotter, 3/32 x 3/4	2	24	821157	Handle, release	1
11	306981	Washer, 3/8	3	25	821165	Bracket, release	1
12	821290	Rod, release	1	26	800290	Lock nut, 5/16-18	1
13	820316	Bushing	1	27	816612	Bushing	2
14	820435	Spring	1	28	103867	Washer, 5/16	2



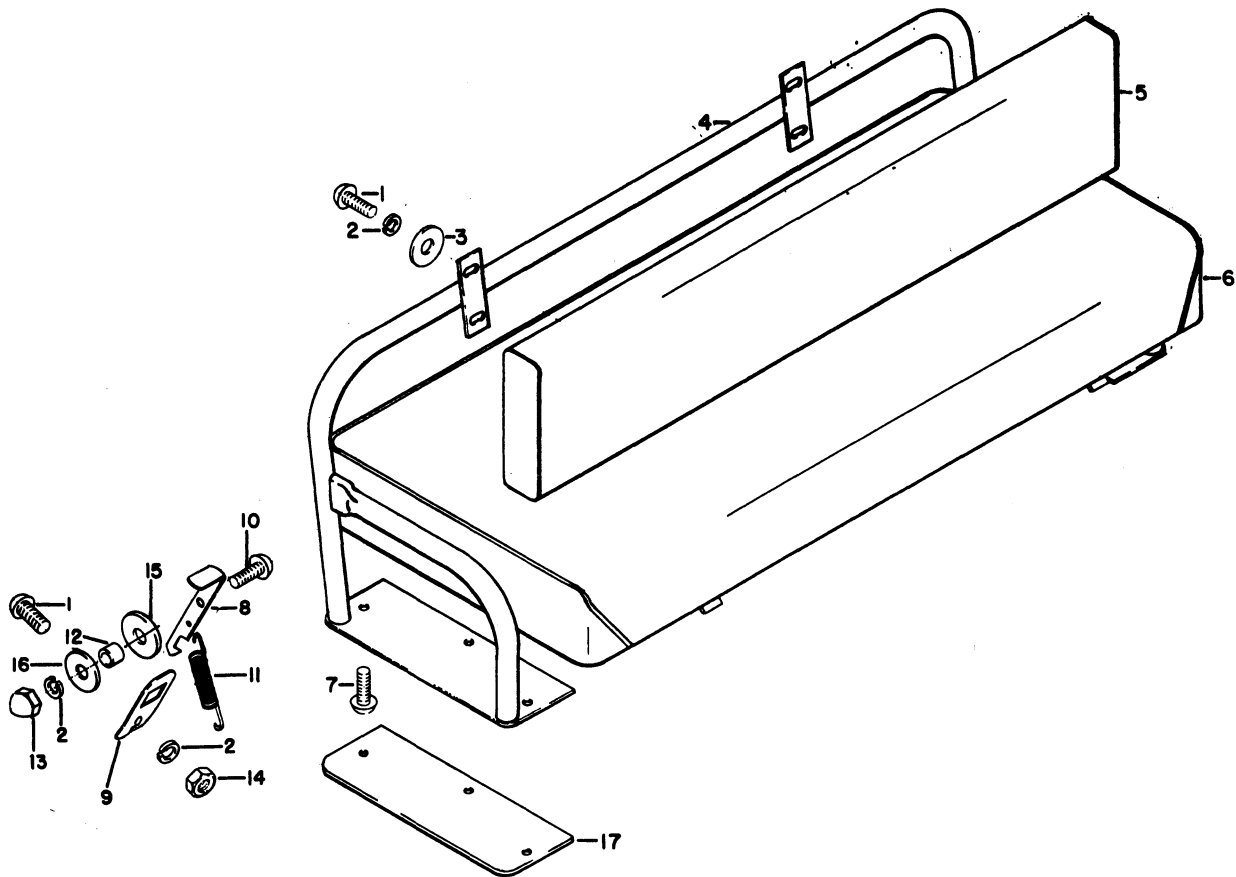
FLATBED AND REAR BUMPER

REF. NO.	PART NO.	DESCRIPTION	NO. REQ'D	REF. NO.	PART NO.	DESCRIPTION	NO. REQ'D
1	112050	Screw, 1/4-20 x 5/8	4	13	306981	Washer, 3/8	4
2	308090	Washer, 1/4	32	14	306834	Screw, 3/8-16 x 3/4	10
3	816730	Cover	3	15	816733	Bracket, bumper	2
4	300646	Screw, 1/4-20 x 3/4	14	16	816734	Bumper, upper	1
5	880610	Flatbed	1	17	816732	Bumper, lower	1
6	880612	Cover, right, pulley well	1	18	306834	Screw, 3/8-16 x 3/4	2
7	816908	Cover, left, pulley well	1	19	306419	Screw, 5/16-18 x 3/4	4
8	306396	Lockwasher, 1/4	14	20	306325	Lockwasher, 5/16	8
9	306375	Nut, 1/4-20	14	21	306932	Nut, 5/16-18	8
10	306835	Screw, 3/8-16 x 1 1/4	8	22	816736	Support	2
11	120177	Lockwasher, 3/8	20	23	816933	Spacer	4
12	306562	Nut, 3/8-16	20	24	130167	Screw	4



DOORS

REF. NO.	PART NO.	DESCRIPTION	NO. REQ'D	REF. NO.	PART NO.	DESCRIPTION	
1	882279	Panel, left	1	20	800303	Washer, 1/4 wave	2
		or		21	881219	Pivot assembly, door	2
	882280	Panel, right	1	22	300646	Screw, 1/4-20 x 3/4 hex. hd.	2
2	306375	Nut, 1/4-20	4	23	882269	Frame, door, right	1
3	306396	Lockwasher, 1/4	4			or	
4	308090	Washer, 1/4 plain	8		882044	Frame, door, left	1
5	800019	Screw, 1/4-20 x 1/2	2	24	306531	Nut, 10-24	4
6	133079	Nut, 8-32 hex.	4	25	881213	Handle assembly, inner right	1
7	306310	Lockwasher, No. 8	4			or	
8	818376	Stud, snap fastener	4		881224	Handle assembly, inner left	1
9	881218	Tie assembly, door	4	26	818342	Ring, push on retaining	2
10	881228	Cover, air intake	2	27	881222	Bracket, door handle	2
11	111898	Clamp	8	28	306981	Washer, 3/8 plain	2
12	800147	Screw, 10-16 x 3/4	10	29	800254	Washer, wave	2
13	818378	Bracket, air intake mounting	2	30	306966	Roll pin, 1/8 x 3/4	2
14	819176	Nut, 10-24	8	31	881223	Handle assembly, door outer	2
15	303952	Washer, No. 10 plain	8	32	818346	Strike, door latch	2
16	800271	Screw, 10-24 x 1/2 P.T.H.	14	33	120052	Lockwasher No. 10	2
17	818349	Strip, side curtain	2	34	800174	Nut, No. 10, type J	10
18	818343	Nut, acorn	2				
19	882166	Cover assembly, door right	1				
		or					
	882246	Cover assembly, door left	1				



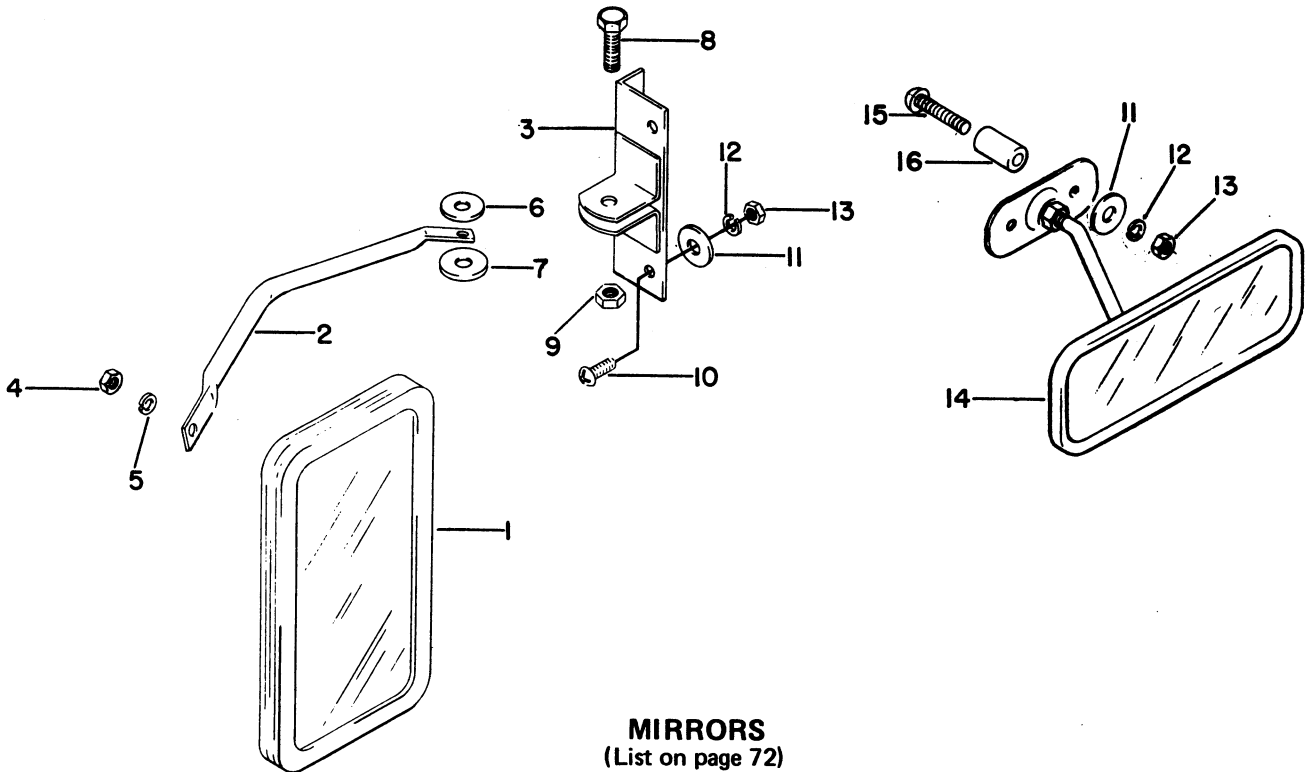
SEAT

Ref. No.	Part No.	Description	No. Req'd	Ref. No.	Part No.	Description	No. Req'd
1	800019	Screw, ¼-20 x ½ P.T.H.	8	9	820725	Bracket, seat latch	2
2	306396	Lockwasher, ¼	10	10	800218	Screw, ¼-20 x 1¼ P.T.H.	2
3	308090	Washer, ¼ plain	4	11	810381	Spring	2
4	882065	Frame, backrest	1	12	805254	Bushing	2
5	882125	Backrest, complete	1	13	800037	Nut, acorn, ¼-20	2
6	882124	Seat, complete	1	14	306375	Nut, ¼-20 hex.	4
7	800026	Screw, ¼-20 x ¾ P.T.H.	6	15	800322	Washer, wave, 5/16	2
8	820739	Latch, right	1	16	809138	Washer	2
		or		17	821305	Pad	2
	820897	Latch, left	1				

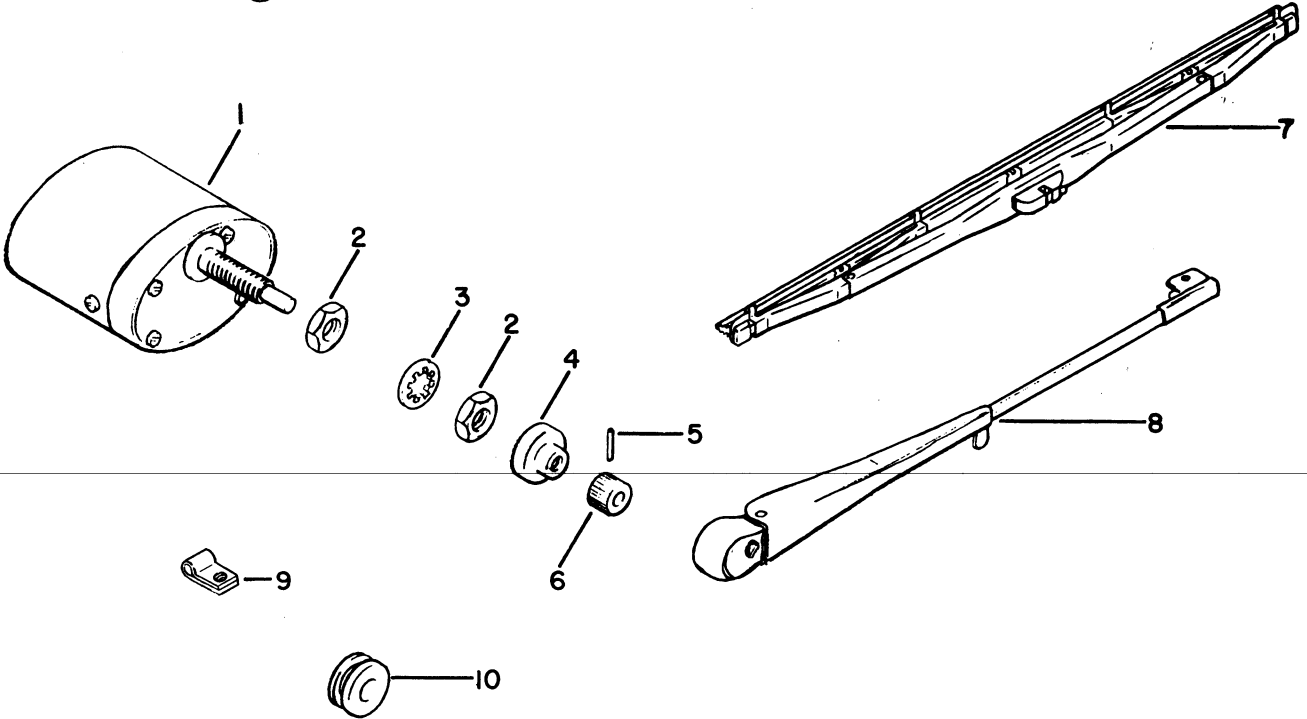
MIRRORS

(Illustrated on page 73)

REF. NO.	PART NO.	DESCRIPTION	NO. REQ'D	REF. NO.	PART NO.	DESCRIPTION	NO. REQ'D
1	814307	Mirror, outside	2	8	306414	Screw, 3/8-16 x 1 hex.	2
2	814454	Arm, left	1	9	800292	Nut, 3/8-16	2
		or		10	800215	Screw, 10-24 x 5/8 P.T.H.	4
	814453	Arm, right	1	11	308089	Washer, No. 10	6
3	882209	Bracket	2	12	120052	Lockwasher, No. 10	6
4	306397	Nut, 1/4-28 hex.	2	13	306531	Nut, 10-24 hex. hd.	6
5	306396	Lockwasher, 1/4	2	14	807404	Mirror, inside	1
6	814452	Washer	2	15	311403	Screw, 10-24 x 1 3/8 rd. hd.	2
7	306981	Washer	2	16	808948	Spacer	2

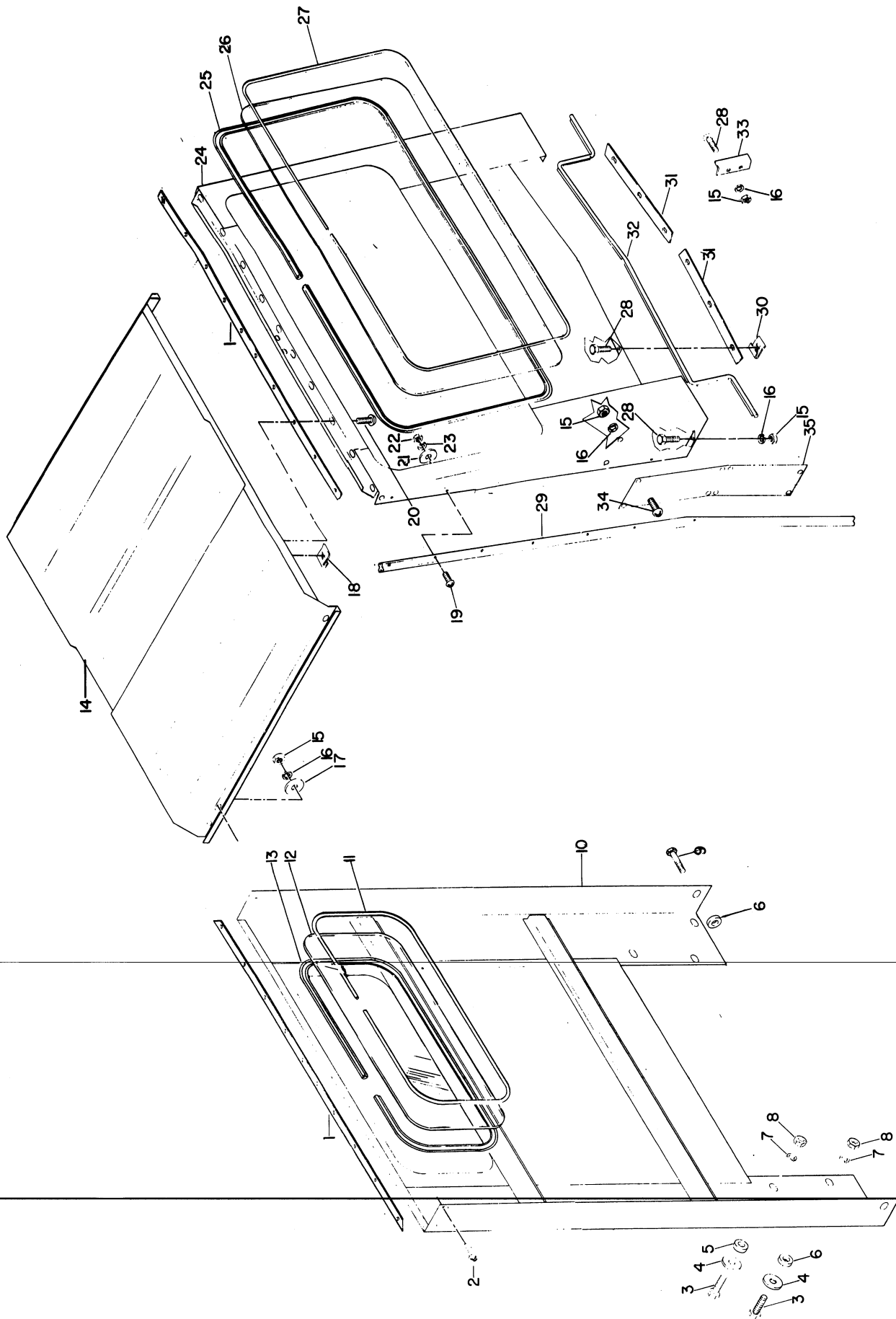


MIRRORS
(List on page 72)



WINDSHIELD WIPER

REF. NO.	PART NO.	DESCRIPTION	NO. REQ'D	REF. NO.	PART NO.	DESCRIPTION	NO. REQ'D
1	812039	Motor, windshield wiper	1	7	812661	Blade, windshield wiper, 12"	1
2	813062	Nut, motor mounting	2	8	807321	Arm, windshield wiper	1
3	306993	Lockwasher, 3/8	1	9	809122	Clip, wiring to cab frame	8
4	813063	Cap, nut	1	10	810445	Grommet, wiring through cover	1
5	307901	Roll pin, 7/32 x 1/2	1	11	306982	Washer, motor to cab, 7/16	1
6	813064	Adapter, arm	1				



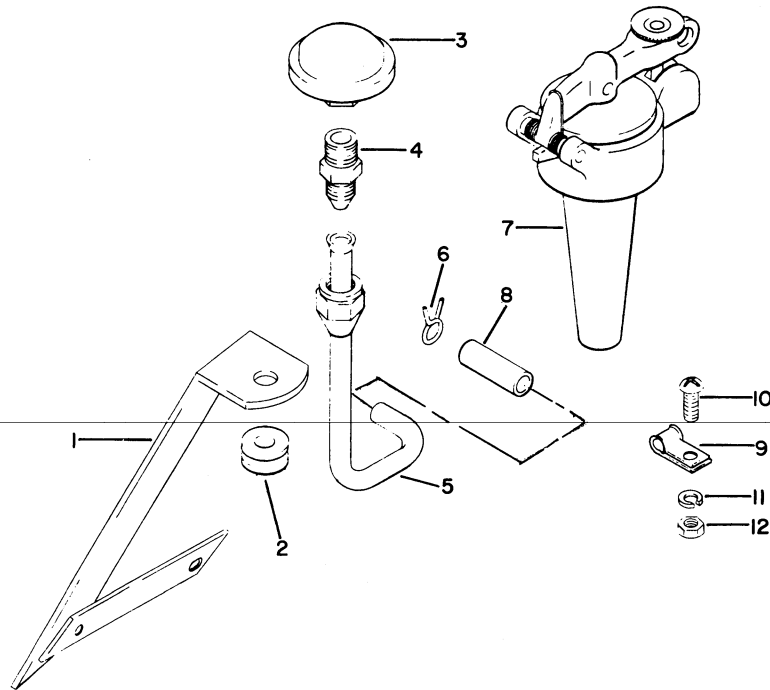
CAB
(List on page 75)

CAB
(Illustrated on page 74)

REF. NO.	PART NO.	DESCRIPTION	NO. REQ'D	REF. NO.	PART NO.	DESCRIPTION	NO. REQ'D
1	882143	Cab set, complete	1	20	800327	. Screw, No. 14 x 5/8	20
2	820169	. Seal, foam, 90"	1	21	308089	. Washer, No. 10	12
3	306419	. Screw, 1/4-20 x 1/2	6	22	306531	. Nut, No. 10-24	16
4	306435	. Screw, 5/16-18 x 1 1/4	4	23	120052	. Lockwasher, No. 10	20
5	103867	. Washer, 5/16	6	24	882254	. Panel w/window, front	1
6	812644	. Spacer, 3/8" (all models except 1/2 ton)	2	25	811760	. Seal, front	1
7	808975	. Spacer, 7/16" (all models)	4	26	811758	. Windshield, front	1
8	306325	. Lockwasher, 5/16	4	27	812468	. Strip, filler, front	1
9	306932	. Nut, 5/16-18	4	28	300646	. Screw, 1/4-20 x 3/4	16
10	302030	. Screw, 1/4-20 x 1 1/4	2	29	821115	. Post, right side	1
11	882253	. Panel w/window, rear	1			or	
12	812649	. Strip, filler, rear	1	30	821116	. Post, left side	1
13	812652	. Window, rear	1	31	800196	. Nut, 1/4 speed	6
14	812648	. Seal, rear	1	32	821320	. Strip, speed nut mounting	2
15	882140	. Panel, roof	1	33	820716	. Seal, panel to hood	1
16	306375	. Nut, 1/4-20	28	34	820707	. Bracket, panel to hood	2
17	306396	. Lockwasher, 1/4	28	35	800019	. Screw, 1/4-20	12
18	308090	. Washer, 1/4	10	*	821211	. Plate, reinforcement	2
19	800333	. Nut, No. 14 speed	20	*	875995	. Mirror set	1
	800271	. Screw, No. 10-24 x 1/2	16	*	878744	. Wiper set	1

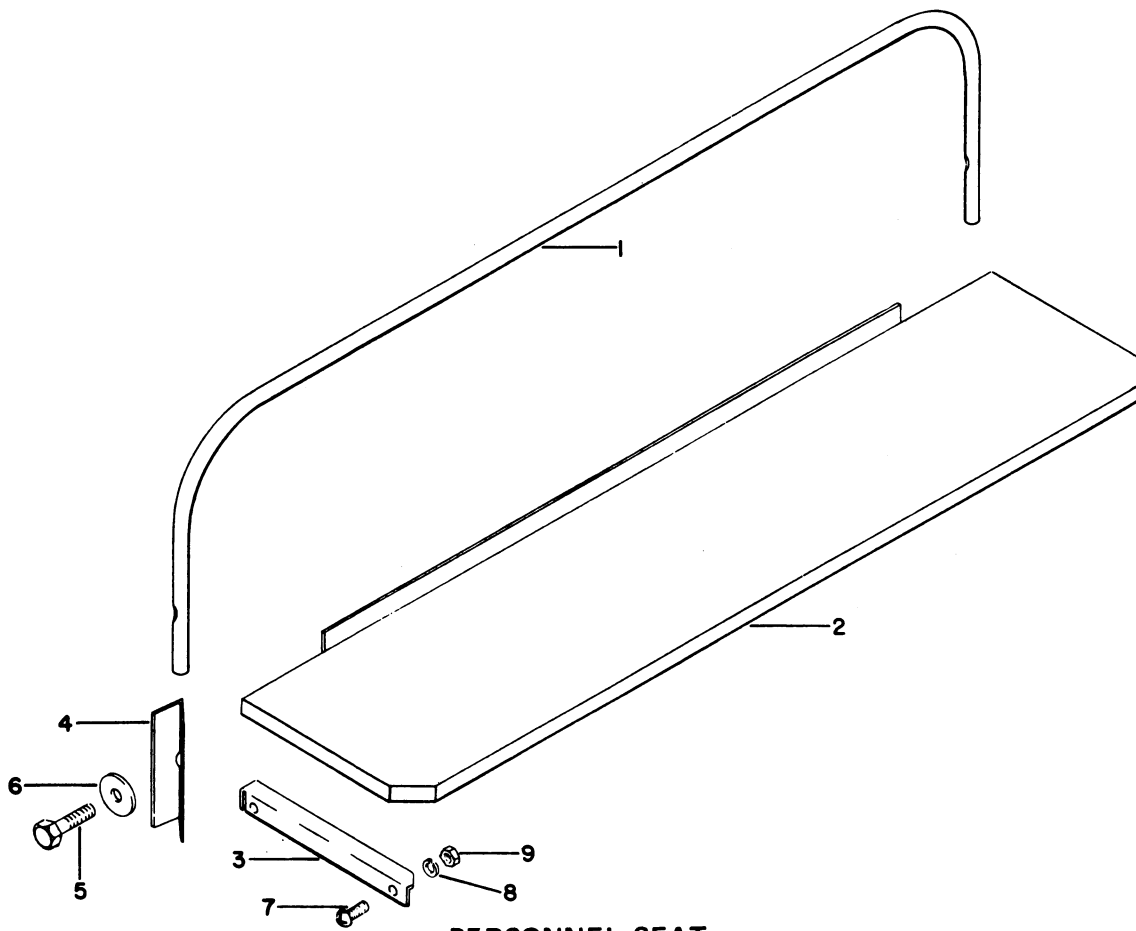
*Not illustrated

INDENTED PART NAMES INDICATE THESE PARTS ARE INCLUDED IN PREVIOUS ASSEMBLY



PROTECTOSEAL GAS CAP

REF. NO.	PART NO.	DESCRIPTION	NO. REQ'D	REF. NO.	PART NO.	DESCRIPTION	NO. REQ'D
1	882216	Support, gas vent	1	7	816631	Cap, protectoseal	1
2	809192	Grommet, vent	2	8	816882	Hose, vent	1
3	816881	Arrestor, vent	1	9	815058	Clip, hose	1
4	816880	Union tube to vent	1	10	800019	Screw, 1/4-20 x 1/2	4
5	821197	Tube, vent	1	11	306396	Lockwasher, 1/4	4
6	817729	Clamp, hose	2	12	306375	Nut, 1/4-20 hex.	4



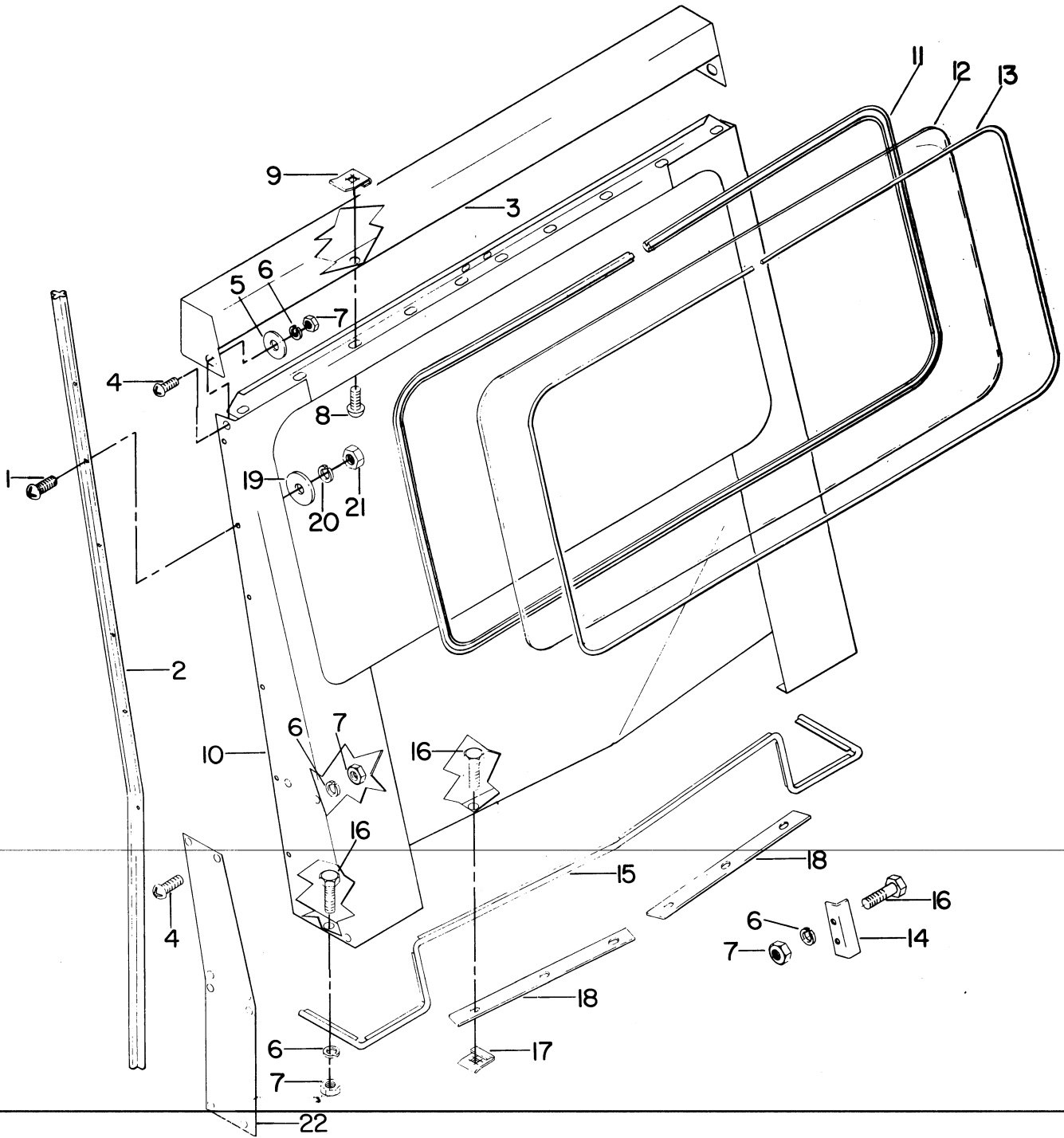
**PERSONNEL SEAT
(WIDE-BOX PICKUP)**

REF. NO.	PART NO.	DESCRIPTION	NO. REQ'D	REF. NO.	PART NO.	DESCRIPTION	NO. REQ'D
1	820555	Backrest	1	5	306423	Screw, 5/16-18 x 1 3/4 hex. hd. . .	2
2	881996	Seat board	1	6	103867	Washer, 5/16 plain	2
3	820554	Support, left	1	7	800019	Screw, 1/4-20 x 1/2 P.T.H.	4
		or		8	306396	Lockwasher, 1/4	4
4	820553	Support, right	1	9	306375	Nut, 1/4-20 hex.	4
	876650	Clamp	2				

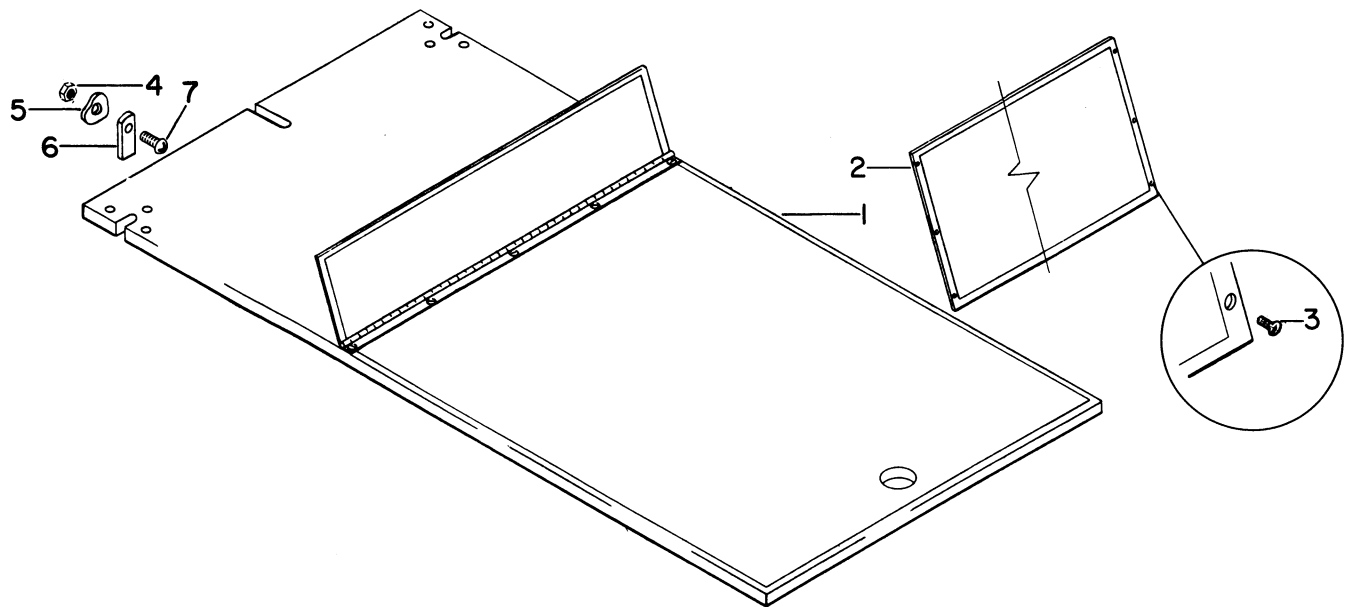
WINDSHIELD
(Illustrated on page 77)

REF. NO.	PART NO.	DESCRIPTION	NO. REQ'D	REF. NO.	PART NO.	DESCRIPTION	NO. REQ'D
1	882276	Windshield set, complete.	1	11	811760	. . Seal, front	1
	800271	. Screw, No. 10-24 x 1/2	16	12	811758	. . Windshield, front	1
2	821115	. Post, right side	1	13	812468	. . Strip, filler, front	1
		or		14	820707	. Bracket, front panel to hood	2
	821116	. Post, left side	1	15	820716	. Welting	1
3	882214	. Cap, windshield	1	16	300646	. Screw, 1/4-20 x 3/4	16
4	800019	. Screw, 1/4-20 x 1/2	14	17	800196	. Nut, 1/4 speed	6
5	308090	. Washer, 1/4	2	18	821320	. Strip, speed nut mounting	2
6	306396	. Lockwasher, 1/4	24	19	308089	. Washer, No. 10	12
7	306375	. Nut, 1/4-20	24	20	120052	. Lockwasher, No. 10	16
8	800327	. Screw, No. 14 x 5/8	10	21	306531	. Nut, No. 10-24	16
9	800333	. Nut, No. 14 speed	10	22	821211	. Plate, reinforcement	2
10	882254	. Panel w/window, front	1	*	875995	. Mirror Set	1

*Not Illustrated



WINDSHIELD
(List on page 76)



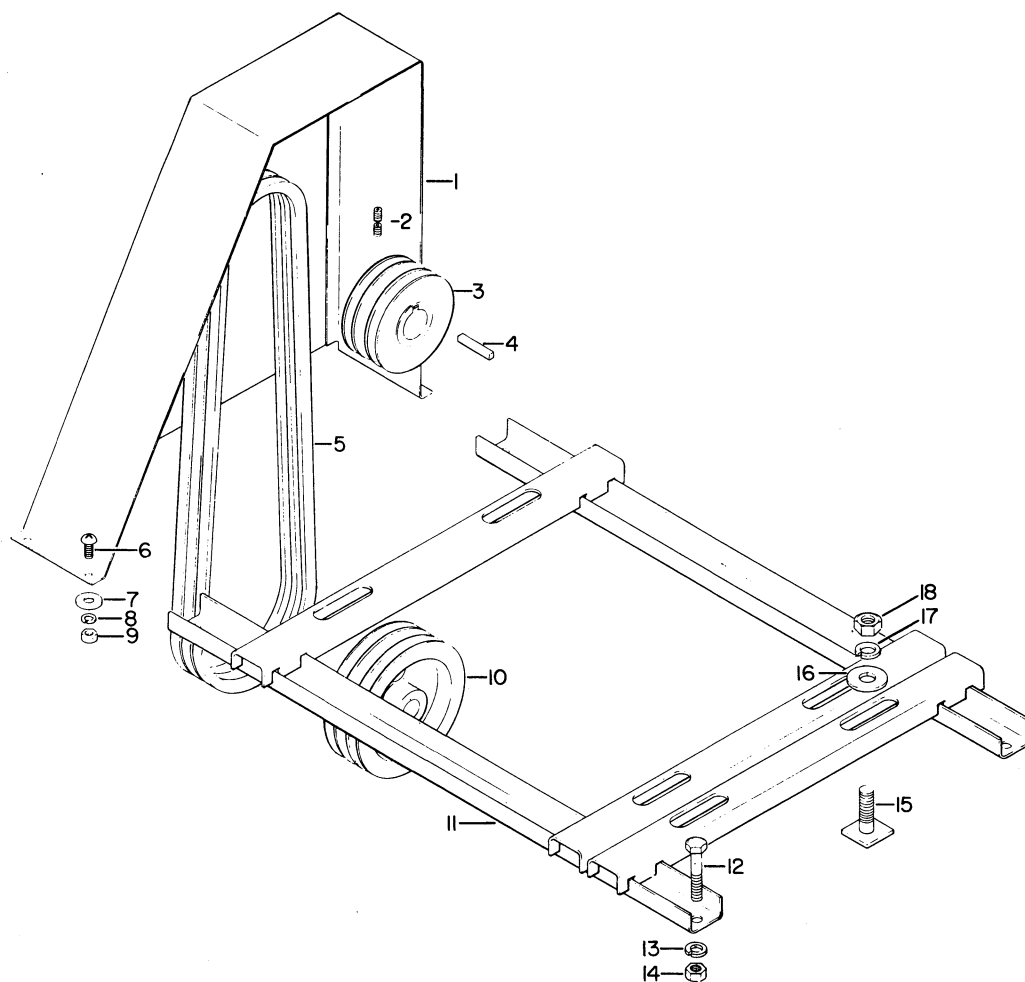
RAMP SET

REF. NO.	PART NO.	DESCRIPTION	NO. REQ'D	REF. NO.	PART NO.	DESCRIPTION	NO. REQ'D
1	881997	Ramp board	1	5	800303	Washer, 1/4	1
2	882008	Tail gate ramp plate	1	6	820559	Ramp board stop	2
3	800135	Screw, No. 8 x 1/2	6	7	800017	Screw, 1/4-20 x 1	2
4	800059	Nut, 1/4-20	2				

HOBART WELDER MOUNTING SET

(Illustrated on page 79)

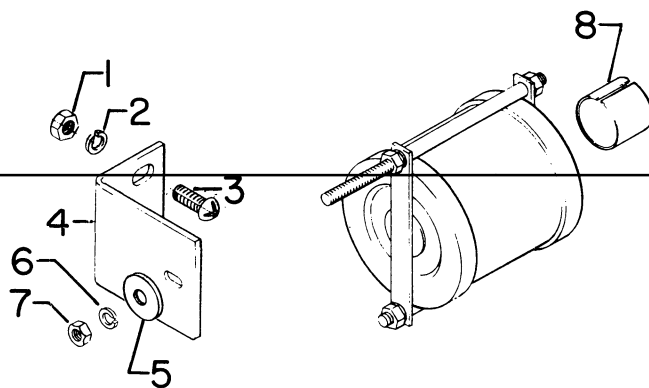
REF. NO.	PART NO.	DESCRIPTION	NO. REQ'D	REF. NO.	PART NO.	DESCRIPTION	NO. REQ'D
1	880623	Mounting set	1	10	816934	Pulley, drive	1
2	880620	Shield	1	11	880619	Frame, mounting	1
3	800274	Screw, 1/4-20 x 5/16	4	12	306539	Screw, 3/8-16 x 7/8	4
4	816939	Pulley, driven	1	13	120177	Lockwasher, 3/8	4
5	110930	Key, 1/4 sq. x 1 3/4	1	14	306562	Nut, 3/8-16	4
6	880624	V-Belt set	1	15	880597	Screw, welder to frame	4
7	800026	Screw, 1/4-20 x 3/4	4	16	308091	Washer, 1/2	4
8	308090	Washer, 1/4	4	17	120166	Lockwasher, 1/2	4
9	306396	Lockwasher, 1/4	4	18	308332	Nut, 1/2-13	4
	306375	Nut, 1/4-20	4				

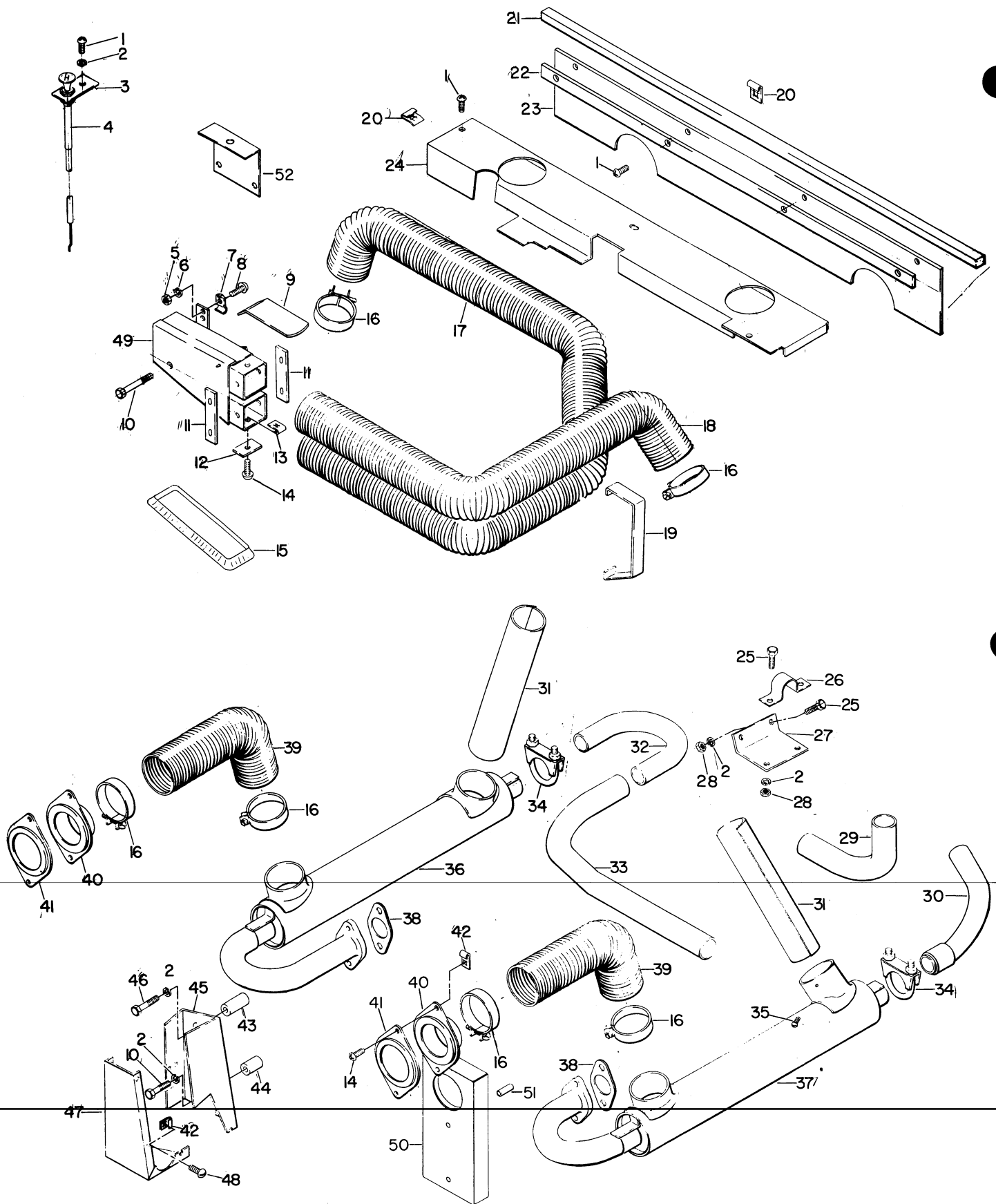


HOBART WELDER MOUNTING SET
(List on page 78)

SPARK ARRESTOR

REF. NO.	PART NO.	DESCRIPTION	NO. REQ'D
	879345	Spark Arrestor	1
1	306562	. Nut, 3/8-16 hex.	2
2	120177	. Lockwasher, 3/8	2
3	306414	. Screw, 3/8-16 x 1 P.T.H.	2
4	814077	. Bracket	1
5	308090	. Washer, 1/4	1
6	306396	. Lockwasher, 1/4	1
7	306375	. Nut, 1/4-20 hex.	1
8	813243	. Shim	1

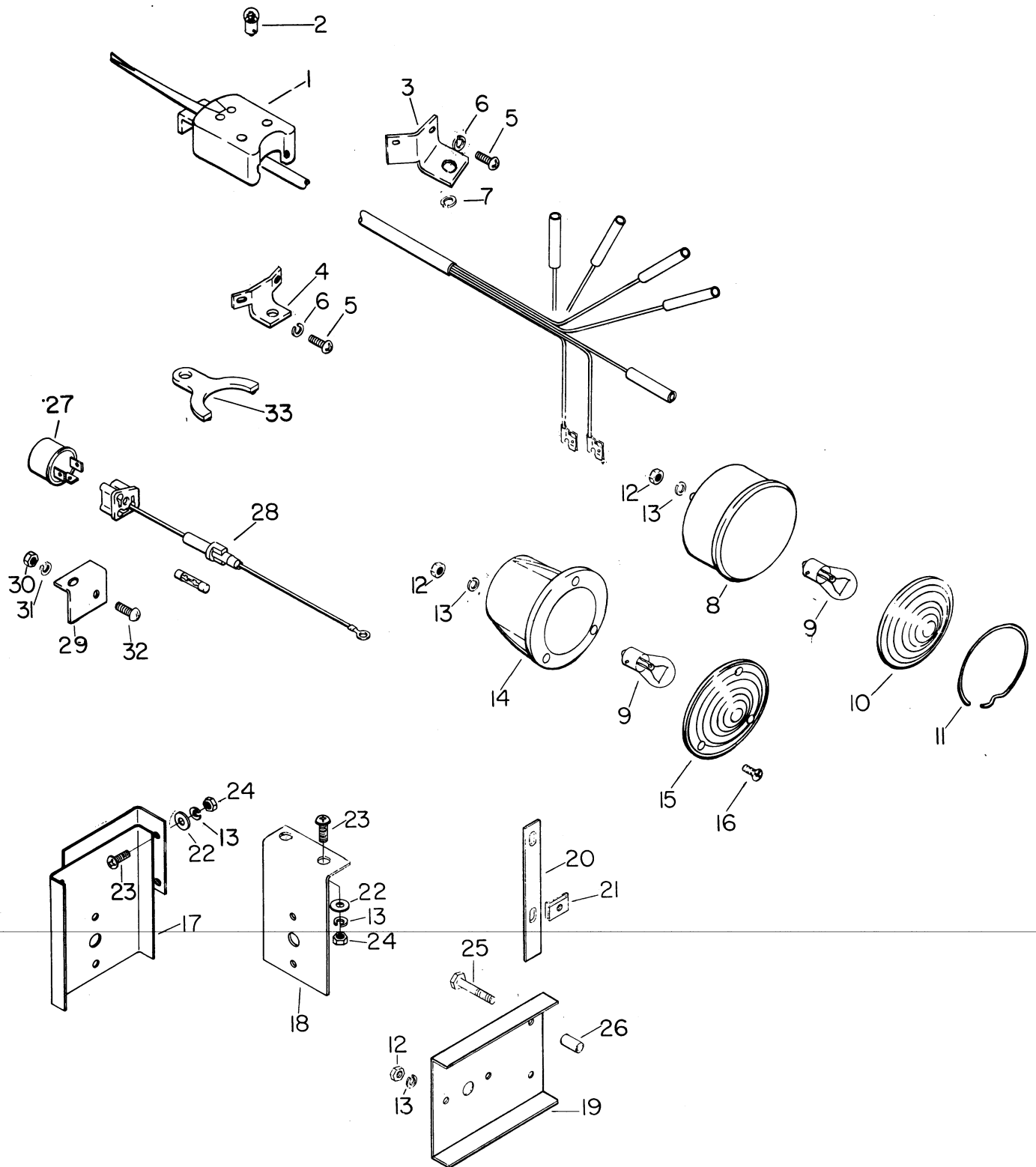




HEATER
(List on page 81)

HEATER
(Illustrated on page 80)

REF. NO.	PART NO.	DESCRIPTION	NO. REQ'D	REF. NO.	PART NO.	DESCRIPTION	NO. REQ'D
1	800019	Screw, ¼-20 x ½	7	29	813700	Tube, exhaust-right (1972 & Prior)	1
2	306396	Lockwasher, ¼	7	30	880742	Tube, exhaust-left (1972 & Prior)	1
3	880627	Bracket, control mouting (4-whl.)	1		883062	Tube, exhaust, left (1973 & Later)	1
4	818525	Cable, heater control	1	31	818505	Tube, air	1
5	306531	Nut, No. 10-224	1	32	818514	Tube, exhaust-right (1972 & Prior)	1
6	120052	Lockwasher, No. 10	1		883063	Tube, exhaust, right (1973 & Later)	1
7	111898	Clamp, cable	1	33	818515	Tube, exhaust-crossover (1972 & Prior)	1
8	306514	Screw, No. 10-24 x ½	1				
9	818504	Bracket, hose mounting-upper	1	34	818962	Clamp, exhaust tube	2
10	306832	Screw, ¼-20 x 2	2	35	800248	Screw, No. 6 Type "A"	2
11	818502	Bracket, hose mounting, Side	2	36	880739	Heat exhcngager-right	1
12	818503	Bracket, hose mouting-lower	1	37	880737	Heat exchanger-left	1
13	111928	Nut, No. 10 speed	6	38	111761	Gasket, exhaust manifold	2
14	800381	Screw, No. 10-16 x 1½	10	39	818499	Hose, heater outlet	2
15	818520	Caulking, 12"	1	40	800743	Outlet	2
16	818500	Clamp, hose	6	41	818838	Flange, outlet cover (1972 & Prior)	2
17	818506	Hose, air outlet-right	1	42	800172	Nut, No. 10A speed	6
18	818501	Hose, air outlet-left	1	43	111345	Spacer, short	1
19	818518	Retainer, hose to air mixer	1	44	111344	Spacer, long	1
20	800196	Nut, ¼-20 speed (1972 & Prior)	6	45	818523	Body, carburetor heat	1
21	815100	Strip, sealing, engine cover	1	46	600014	Screw, ¼-20 x 1¼	1
22	818519	Strip, seal mounting (1972 & Prior)	1	47	818524	Cover, carburetor heat	1
23	818531	Seal, engine cover-rear (1972 & Prior)	1	48	111564	Screw, No. 10-½ (1972 & Prior)	1
24	818530	Shroud, rear	1	49	880736	Air outlet	1
25	302288	Screw, ¼-20 x 1 (1972 & Priorr)	1	50	883176	Baffle assy. (1973 & Later)	2
26	820141	Clamp, exhaust tube (1972 & Prior)	1	51	820529	Bushing	4
27	820142	Bracket, clamp mounting (1972 & Prior)	1	52	818526	Bracket, cable mtg. (3-whl.)	1
28	306375	Nut, ¼-20 (1972 & Prior)	4				



TURN SIGNALS
 (1973 & Later)
 (List on page 83)

TURN SIGNALS

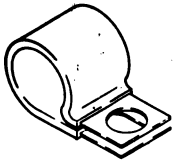
(1973 & Later)

(Illustrated on page 82)

Ref. No.	Part No.	Description	No. Req'd	Ref. No.	Part No.	Description	No. Req'd
1	882837	Switch, turn signal & hazard warning	1	20	822877	† Strip speednut	1
2		† Bulb no. 53 obtain locally	1	21	800196	† Nut ¼"–20 Speed	2
3	822858	† Bracket, turn signal switch, steering wheel	1	22	308090	† Washer ¼"	2
4	822859	† Bracket, turn signal switch, steering wheel	1	23	306419	† Screw ¼"–20 x ½"	2
5	800178	† Screw no.*–32 x ½"	2	24	306375	† Nut ¼"–20	4
6	306310	† Lockwasher no. 8	2	25	302030	† Screw ¼"	2
7	306994	† Lockwasher ½"	1	26	823197	† Bushing	2
	882855	* Metal strap & anchors—4 wheel	1	27	822867	Flasher	1
	302176	* Screw no.8–32 x 1"	2	28	880843	† Wire & fuse assembly	1
8	882836	Turn signal lamp, front amber	2	29	820627	† Bracket, flasher mounting 4 wheel	1
9		† Bulb No. 1156 obtain locally	1	30	306531	† Nut 10-24	1
10	823337	† Lens, amber	1	31	120052	† Lockwasher no. 10	2
11	823341	† Wire clip	1	32	306460	† Screw 10–24 x 3/8"	1
12	306375	† Nut ¼"–20	4		817007	* Clip flasher mounting	1
13	306488	† Lockwasher ¼" shake-proof	6		132520	* Nut no.10–32	1
	821085	* Wire, left front turn signal—4 wheel	1		809122	* Clip taillight wires	4
	821086	* Wire, right front turn signal—4 wheel	1		809231	* Grommet rt. side rail	1
14	882851	Light, stop and tail, right	1		810445	* Grommet 4 wh.-front panel	1
or	882852	Light, stop and tail, left	1		813840	* Clip rt.rt. taillight harness	4
15	823336	† Lens, red	1		816041	* Tie 4"	4
16	823196	† Screw lens	3		816584	* Tie 10"	2
	882848	+ Wire, right taillight	1	33	816270	* Plug, Dash slot	1
17	882843	† Bracket taillight dump box	1		300646	Use the following on ½ ton flat bed only	
18	822855	† Bracket taillight flat bed	1		306375	* Screw ¼"–20 x ¾"	1
19	822854	+ Bracket taillight pickup box	1		306396	* Nut ¼"–20	2
					307090	* Lockwasher ¼"	1
					809122	* Washer ¼"	1
					814924	* Clip rt. taillight wire	1
						* Clamp rt. taillight harness	2

NOTE: † Indicates these parts used in previous assembly.

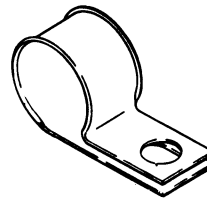
* Indicates not shown on drawing.



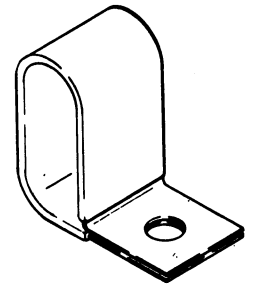
814924



812393



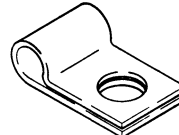
809095



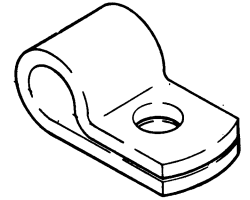
817320



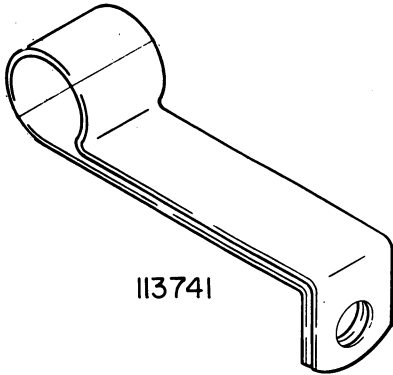
812445



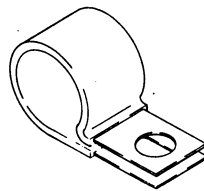
111886



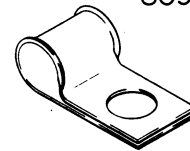
809121



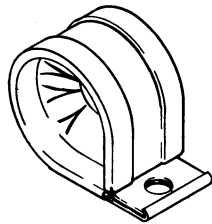
113741



809092



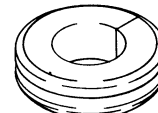
815058



822241



111942



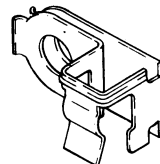
809146



809192



809122



817303



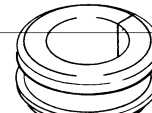
814439



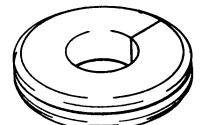
111898



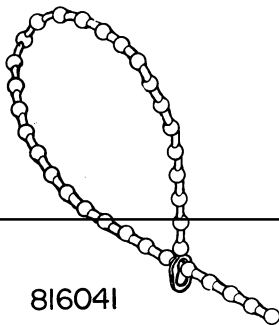
111887



809223



817308



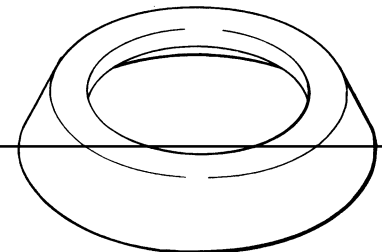
816041



817729

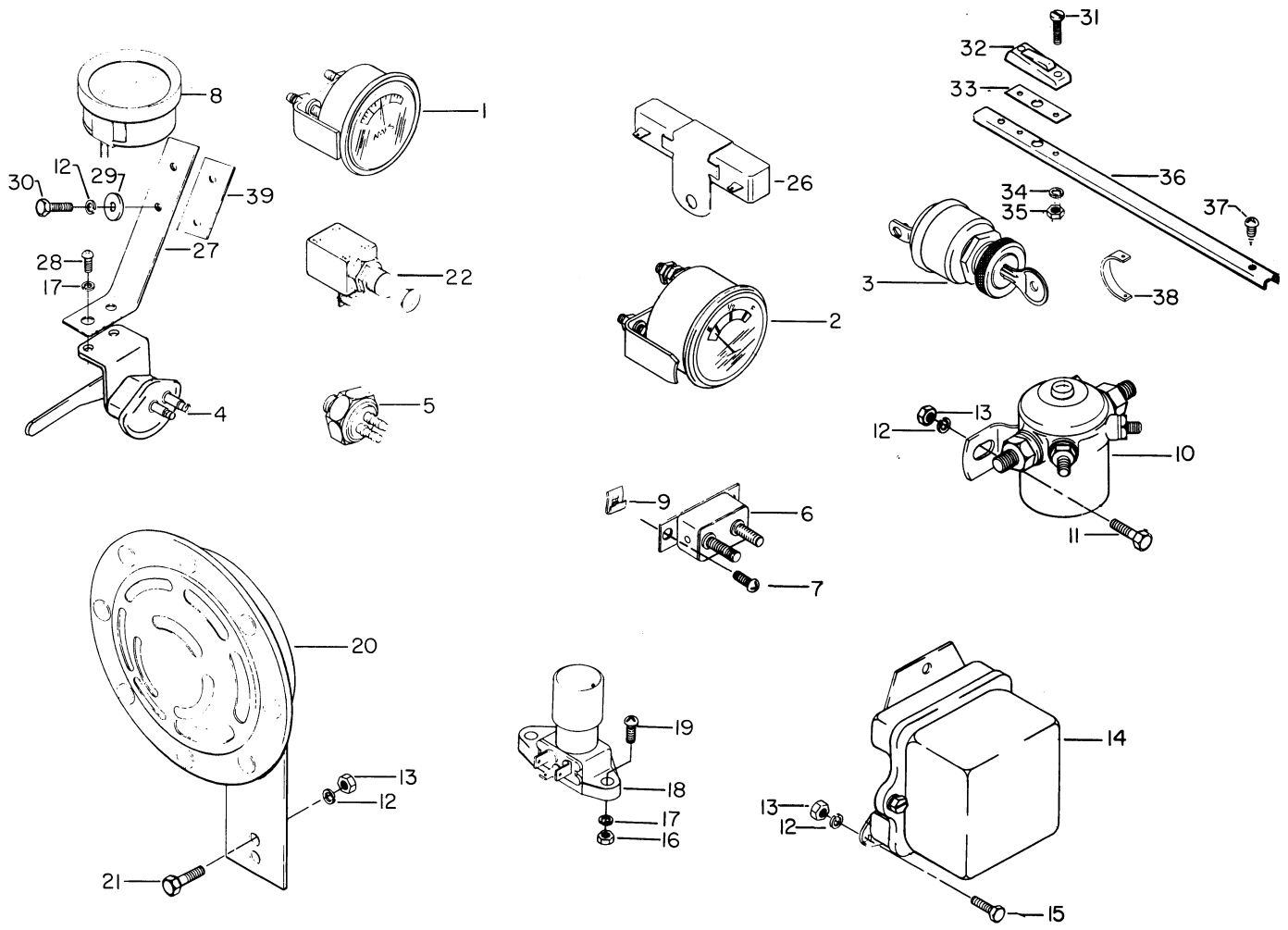


809137



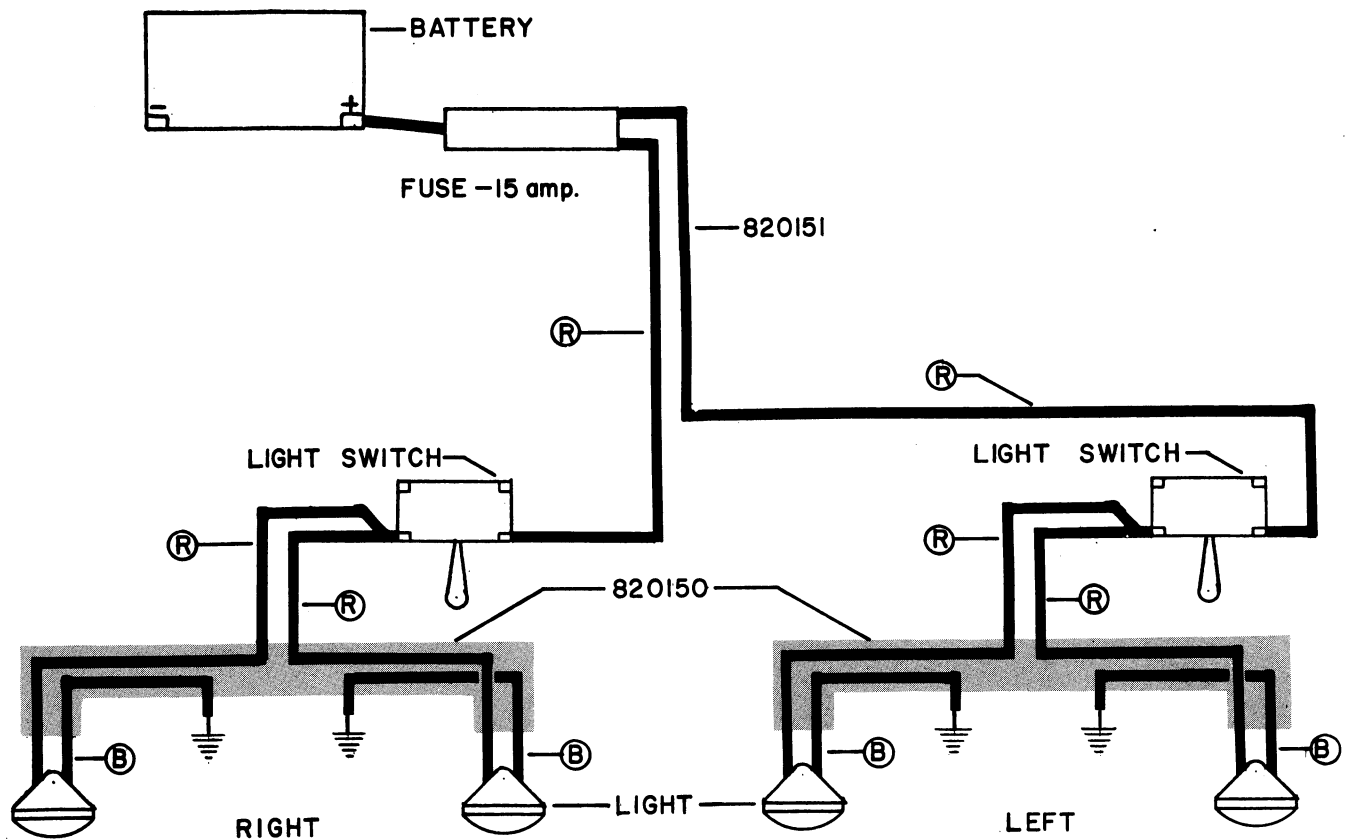
819547

CLIPS AND GROMMETS



ELECTRICAL COMPONENTS

Ref. No.	Part No.	Description	No. Req'd	Ref. No.	Part No.	Description	No. Req'd
1	816874	Ammeter	1	19	800215	Screw, No. 10	2
2	814430	Fuel gauge	1	20	817319	Horn	1
3	882716	Ignition switch	1	21	300646	Screw, 1/4	2
4	814005	Switch, clutch	1	26	823689	Resistor, Alternator	1
5	806825	Switch, stop light	1	27	883403	Bracket	1
6	806807	Circuit breaker	1	28	306391	Screw, No. 10-32 x 3/8	2
7	800144	Screw, No. 8	2	29	308090	Washer, 1/4	2
8	882958	Tachometer	1	30	306419	Screw, 1/4	2
9	800170	Nut, Tinnerman	2	31	311492	Screw, No. 4-40 x 1/2	1
10	813839	Solenoid	1	or	315580	Screw, No. 4-40 x 5/8	1
11	306487	Screw, 1/4"	9	32	820533	Horn button	1
12	306396	Lockwasher, 1/4	9	33	820530	Insulator, horn button	1
13	306375	Nut, 1/4	7	34	308403	Lockwasher, No. 4	2
14	816865	Regulator	1	35	311410	Nut, No. 4-40	2
15	800026	Screw, 1/4	3	36	821114	Cover, horn wire	1
16	306531	Nut, No. 10	2	37	800334	Screw, No. 10A x 3/4	2
17	120052	Lockwasher, No. 10	4	38	820595	Bar, horn button ground	1
18	817309	Switch, dimmer	1	39	825016	Spacer, switch mtg	2

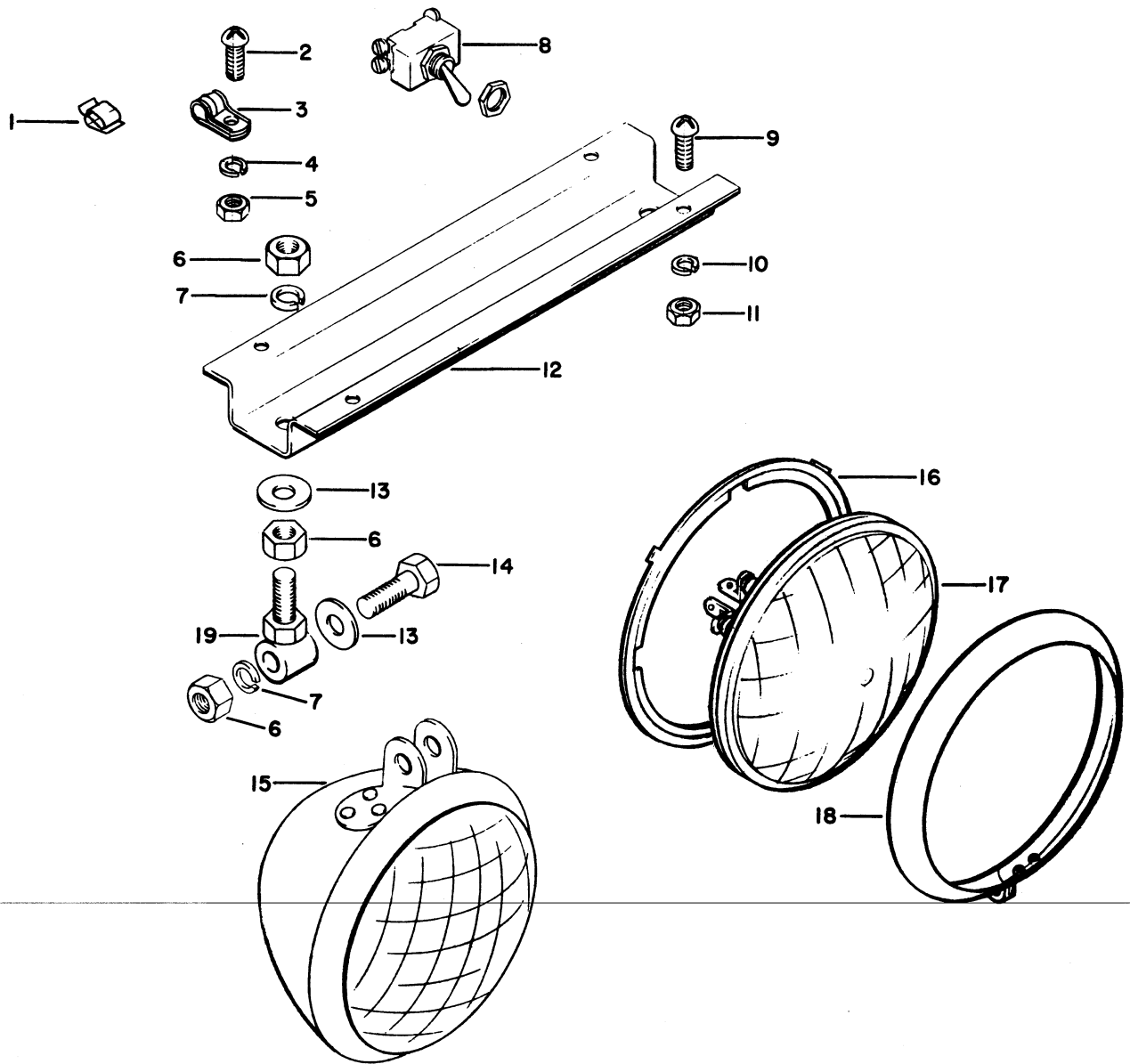


WIRING FOR AREA LIGHT SET

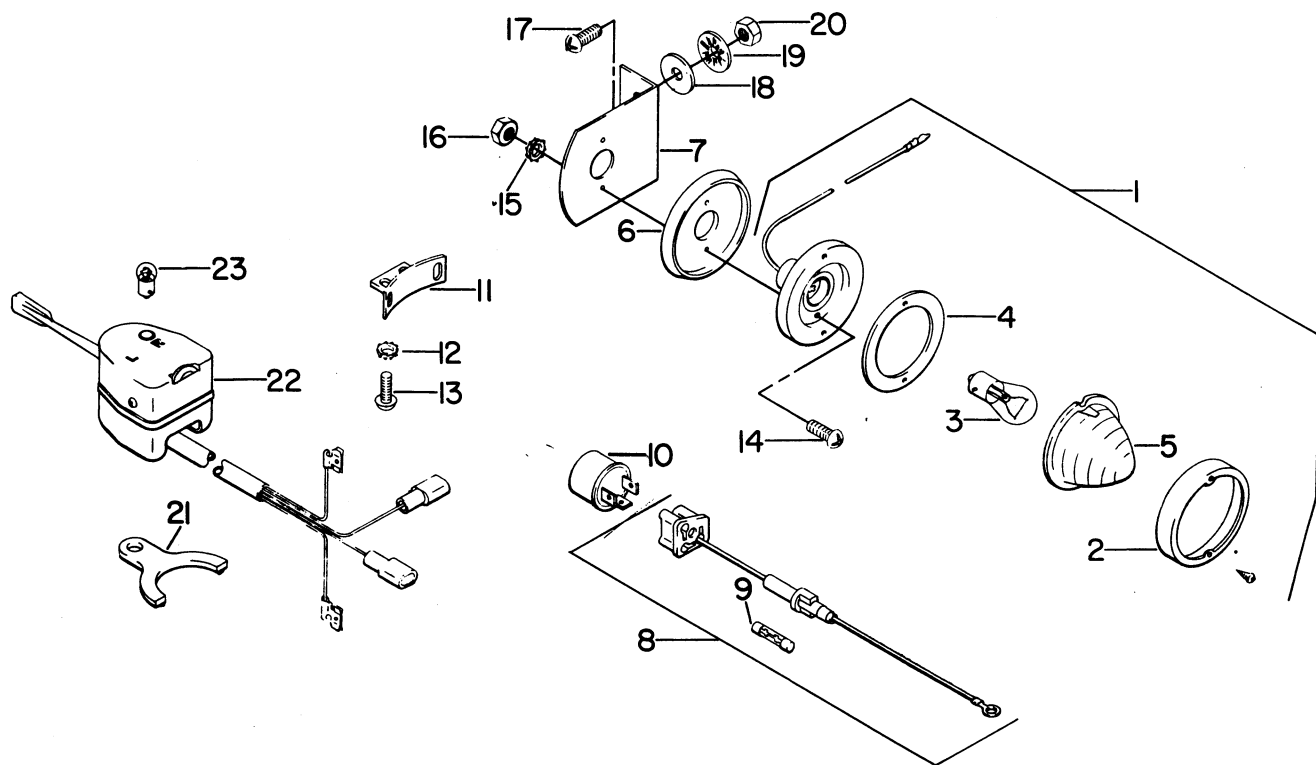
AREA LIGHTS
(Illustrated on page 87)

REF. NO.	PART NO.	DESCRIPTION	NO. REQ'D	REF. NO.	PART NO.	DESCRIPTION	NO. REQ'D
1	809122	Clip	3	13	306981	Washer, 3/8	8
2	800271	Screw, No. 10-24 x 1/2	3	14	306835	Screw, 3/8-16 x 1 1/4	4
3	815848	Clamp, wire to dump frame channel	3	15	819939	Light	4
4	120052	Lockwasher, No. 10	3	16	811815	Ring	4
5	306531	Nut, No. 10-24	3	17	820137	Light	4
6	306562	Nut, 3/8-16	12	18	806780	Rim	4
7	120177	Lockwasher, 3/8	8	19	875267	Yoke	4
8	812616	Switch	2	*	809186	Grommet	2
9	800019	Screw, 1/4-20 x 1/2	8	*	809192	Grommet	3
10	306396	Lockwasher, 1/4	8	*	820150	Harness	2
11	306375	Nut, 1/4-20	8	*	820151	Harness	1
12	820152	Bracket	2	*	820402	Sleeve	1

*Not illustrated



AREA LIGHT
(List on page 86)

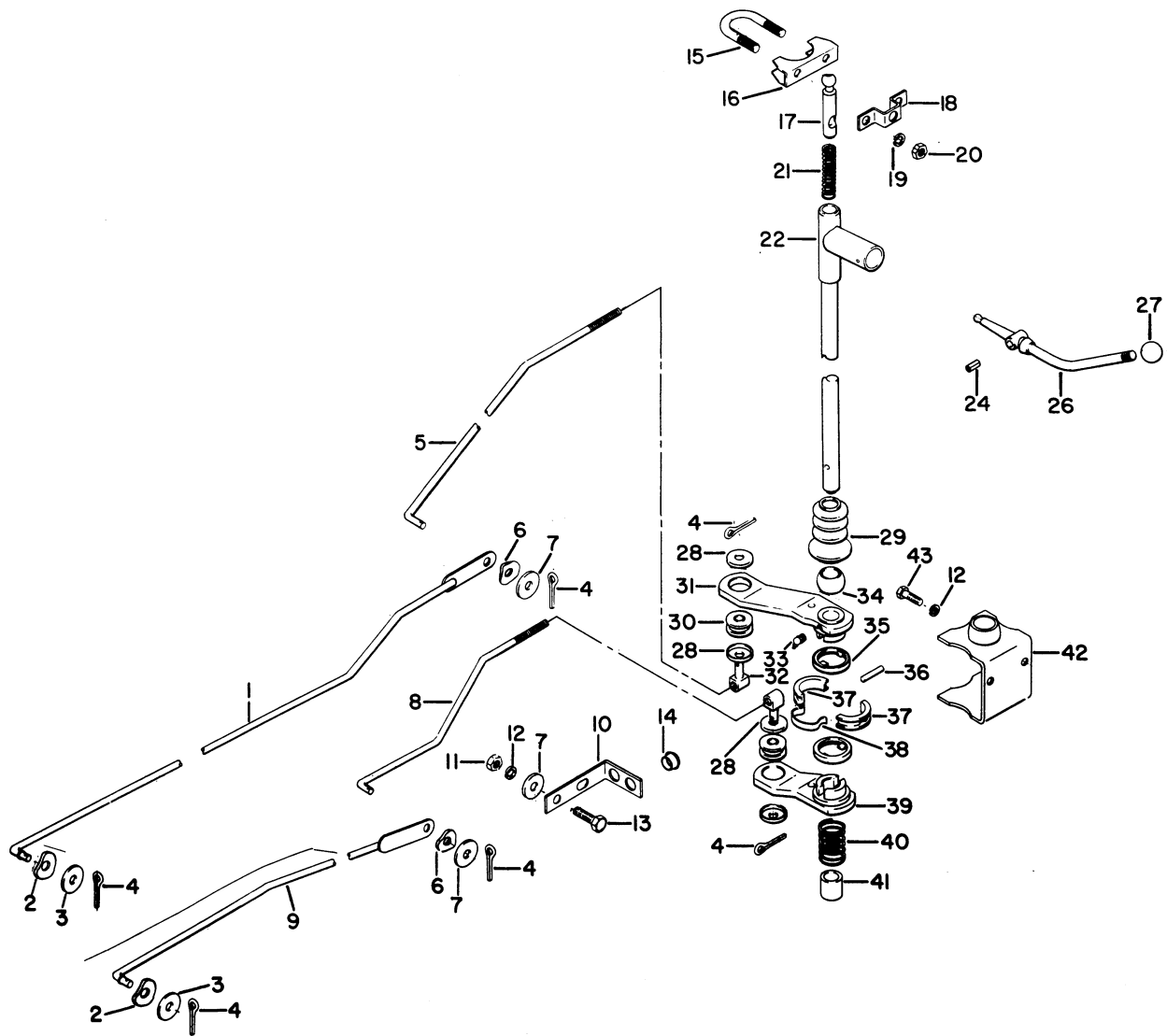


TURN SIGNALS

(1972 & Prior)

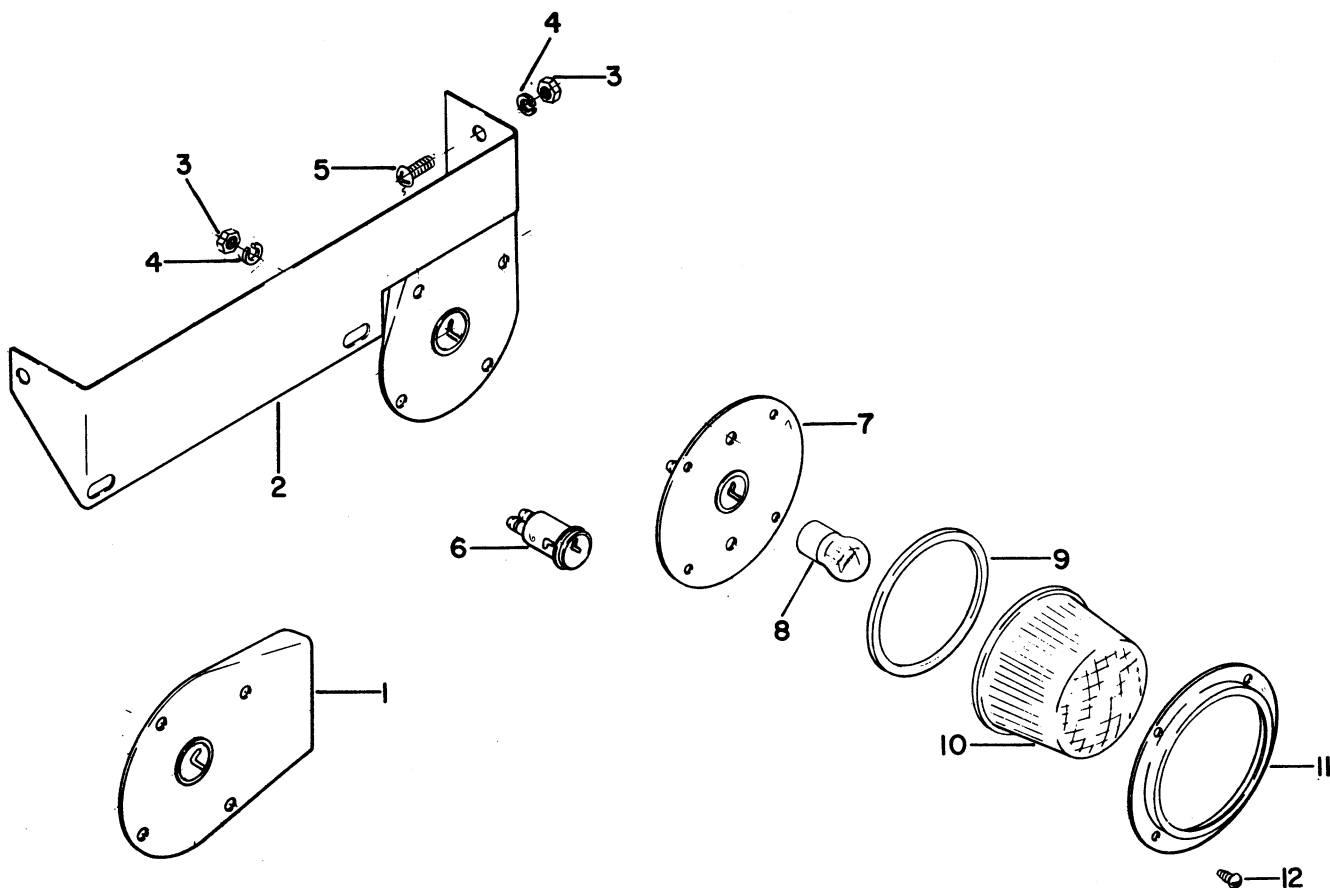
REF. NO.	PART NO.	DESCRIPTION	NO. REQ'D	REF. NO.	PART NO.	DESCRIPTION	NO. REQ'D
1	817594	Lamp, amber	2	12	306991	Lockwasher, No. 8	2
		or		13	200622	Screw, No. 8-32 x 1/2	2
	817595	Lamp, red	2	14	130152	Screw, No. 6-32 x 1/2	8
2	820563	. Rim, turn signal	4	15	306990	Lockwasher, No. 6	8
3	817593	. Bulb, lamp No. 1073	4	16	302437	Nut, No. 6-32	8
4	817601	. Gasket, lens	4	17	800026	Screw, 1/4-20 x 3/4	4
5	817581	. Lens, red	2	18	308000	Washer, 1/4	2
		or		19	306992	Lockwasher, 1/4	4
	817562	. Lens, amber	2	20	306375	Nut, 1/4-20	4
6	820564	Gasket, lamp	4	21	816270	Plug	1
7	817596	Bracket, lamp rear	2	22	880840	Switch, w/wires	1
8	880843	Wire and fuse	1	23	811953	Bulb, switch	1
9	111590	. Fuse, 10-amp.	1	*	809084	Clip	1
10	816916	Flasher	1	*	809122	Clip	1
11	817589	Bracket, switch	1				

*Not illustrated



SHIFTER LINKAGE

Ref. No.	Part No.	Description	No. Req'd	Ref. No.	Part No.	Description	No. Req'd
1	882118	Rod, low and reverse, rear	1	21	813003	Spring, shaft	1
2	800254	Wave washer, 3/8	2	22	882127	Shaft, gear shift	1
3	103867	Washer, 5/16	2	24	306971	Pin, shift lever	1
4	306328	Cotter pin, 3/32 x 3/4	6	26	824017	Lever, shifter	1
5	820927	Rod, low and reverse, front	1	27	812997	Knob	1
6	800303	Wave washer, 1/4	2	28	814502	Washer, rod	4
7	308090	Washer, 1/4	3	29	811928	Boot	1
8	820926	Rod, high and second, front	1	30	813007	Bushing, lever	2
9	882117	Rod, high and second, rear	1	31	880337	Lever, low and reverse	1
10	820788	Guide, shifter rod	1	32	817117	Pin, shifter	2
11	306375	Nut, 1/4-20 hex.	2	33	112279	Lubrication fitting, 1/4-28	1
12	306396	Lockwasher, 1/4	2	34	813005	Spacer, shaft	1
13	306487	Screw, 1/4-20 x 5/8 hex. hd.	2	35	813008	Seal, dust	2
14	819177	Bushing, 3/8	2	36	813004	Pin, selector	1
15	819393	"U" Bolt	1	37	813009	Spacer, seal	2
16	819606	Saddle	1	38	813010	Retainer, spacer	1
17	820965	Support, shaft	1	39	878875	Lever, second and high	1
18	820969	Bracket, support	1	40	813011	Spring, shaft	1
19	306325	Lockwasher, 5/16	2	41	816800	Bushing	1
20	800290	Nut, 5/16-18 center lock	2	42	880921	Bracket, gear shift	1



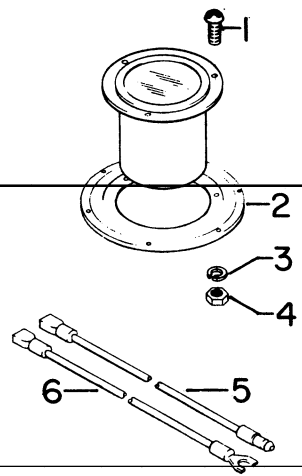
TAIL LIGHT AND LICENSE PLATE BRACKET

REF. NO.	PART NO.	DESCRIPTION	NO. REQ'D	REF. NO.	PART NO.	DESCRIPTION	NO. REQ'D
1	876963	Bracket, tail light	1	8	809725	Bulb, tail light *	1
2	881957	Bracket and plate, tail light	1	9	806777	Gasket, tail light *	1
3	306375	Nut, 1/4-20	3	10	806779	Lens, tail light *	1
4	306396	Lockwasher, 1/4	3	11	809682	Retainer, tail light lens *	1
5	800277	Screw, 1/4-20 x 5/8	3	12	800009	Screw, No. 10-24 x 3/8	4
6	809703	Socket, tail light	1	881989	Bracket and plate, tail light (For dual tail light)	1	
7	876971	Base plate, w/socket	1				

*See pages 35, 82 and 83 for tailights after 1972.

HOUR METER

REF. NO.	PART NO.	DESCRIPTION	NO. REQ'D
	880584	Hour Meter	1
1	130152	Screw, No. 6-32 x 1/4	6
2	816765	Dampener	1
3	306506	Lockwasher, No. 6	6
4	302437	Nut, No. 6-32 hex.	6
5	880842	Wire, ignition to meter	1
6	880841	Wire, meter to ground	1



CUSHMAN

87759

816991

WARNING ALTERNATOR - BATTERY SERVICE
 1. THIS IS A NEGATIVE GROUND SYSTEM. REVERSING BATTERY CONNECTION WILL DAMAGE ALTERNATOR RECTIFIER.
 2. BOOSTER BATTERIES USED FOR STARTING MUST BE CONNECTED WITH PROPER POLARITY.
 3. BATTERY CABLES SHOULD BE DISCONNECTED BEFORE USING A "FAST CHARGER".

816991

ATTENTION
 Look box in down position with jack handle. Engage retaining catch. This prevents box from tipping with heavy load in rear.

820638

CAUTION
 PROTECT GAS TANK CAP AREA FROM SPARKS WHILE WELDING.

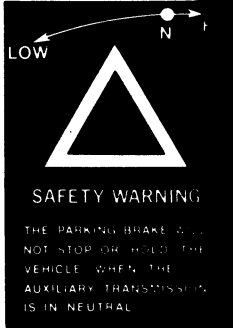
817229

POWER TAKE-OFF OPERATING INSTRUCTIONS
CAUTION MACHINE MUST BE STOPPED AND CLUTCH PEDAL DE-PRESSED TO ENGAGE PTO
 (FOR STATIONARY USE)
 (1) AFTER ENGAGING PTO, PULL UP HAND THROTTLE KNOB AS FAR AS POSSIBLE. USE FOOT THROTTLE AS AN AID IF HAND THROTTLE PULLS HARD
 (2) MOVE GOVERNOR CONTROL LEVER TO DESIRED RPM SETTING (NOTE CLUTCH MUST BE EN-GAGED TO OPERATE PTO) TO SLOW ENGINE DOWN, MOVE GOVERNOR CONTROL LEVER OPPOSITE DIRECTION
 (FOR USE WHILE DRIVING)
 (1) AFTER ENGAGING PTO, SET GOVERNOR CONTROL LEVER TO DESIRED RPM
 (2) PUT MACHINE IN DESIRED GEAR AND DEPRESS FOOT THROTTLE ALL THE WAY. PTO WILL OPERATE AT DESIRED RPM (NOTE HANDTHROTTLE CAN BE USED FOR THIS PURPOSE, ALSO)

816068

POWER TAKE-OFF
 PUSH LEVER TO REAR TO ENGAGE P.T.O.

821429



823106

AUXILIARY TRANSMISSION
 PUSH LEVER FORWARD FOR LOW RANGE

817398

WARNING
 - APPLY HAND BRAKE OR FOOT BRAKE -
 PARKING BRAKES ARE NOT AUTOMATICALLY APPLIED

822819

THIS UNIT IS NOT A MOTOR VEHICLE WITHIN THE DEFINITION OF THE NATIONAL TRAFFIC MOTOR VEHICLE SAFETY ACT. IT IS NOT DESIGNED OR MANUFACTURED FOR USE ON ROADS, STREETS, AND HIGHWAYS, NOR IS IT APPROPRIATE FOR SUCH USE. IT IS NOT MEANT TO BE LICENSED AS A MOTOR VEHICLE.

821071

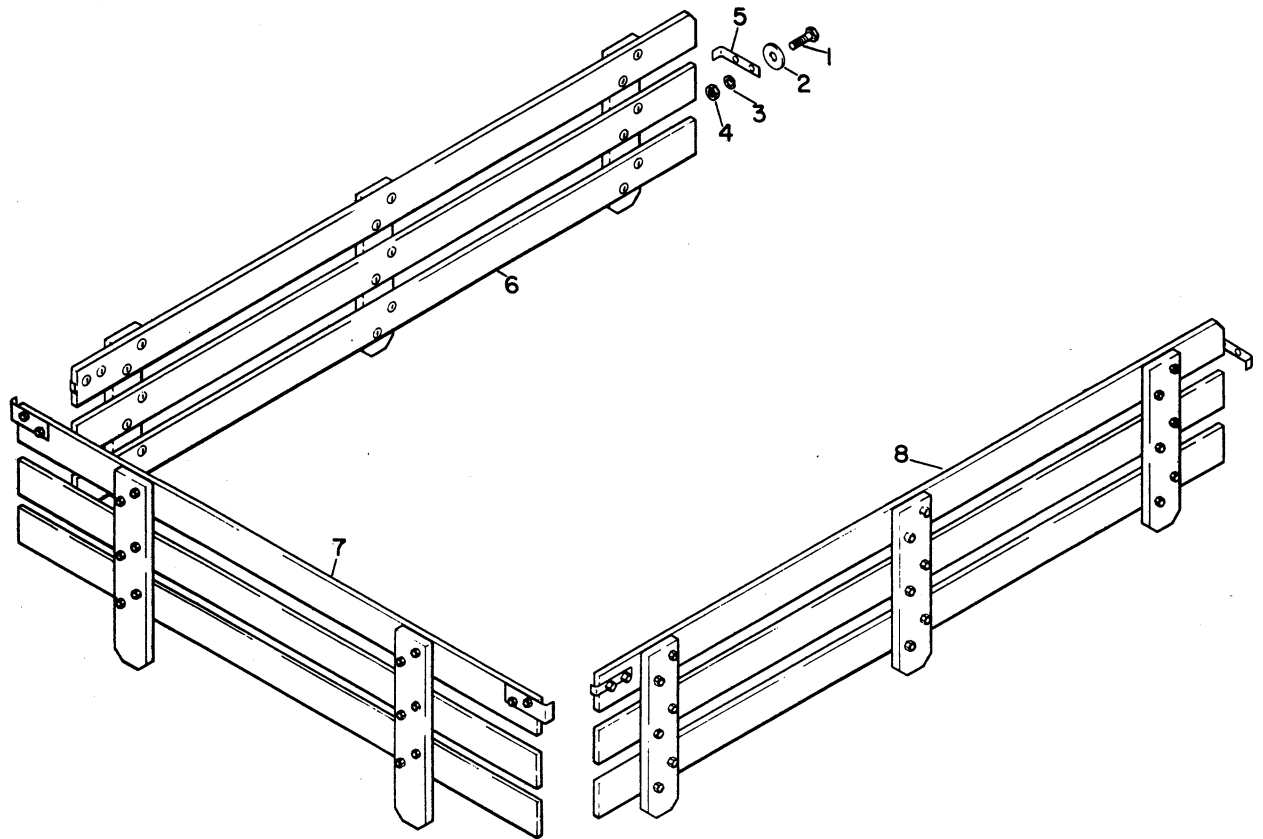
POWER TAKE-OFF
 PUSH LEVER FORWARD TO ENGAGE P.T.O.

817370

OMC ENGINE
 SERVICE WITH 111316 REPLACEMENT ELEMENT
 SERVICE INSTRUCTIONS
 INSPECT FILTER ELEMENT EVERY 50 HOURS OR 500 MILES, MORE OFTEN UNDER SEVERE DUST CON-DITIONS. REMOVE ELEMENT AND SHAKE OUT ACCUMULATED DIRT IF NECESSARY. INSTALL NEW ELEMENT EVERY 250 HOURS OR 2500 MILES, MORE OFTEN UNDER SEVERE DUST CONDITIONS.

111333

DECALS



**STAKE RACK
(FLATBED MODELS)**

Ref. No.	Part No.	Description	No. Req'd	Ref. No.	Part No.	Description	No. Req'd
1	880622	Stake rack set	1	5	808448	. Bracket	2
2	300646	. Screw, ¼	4	6	876924	. Rack, left side	1
3	307090	. Washer, ¼	4	7	880606	Gate, end	1
4	306396	. Lockwasher, ¼	4	8	876925	Rack, right side	1
4	306375	. Nut, ¼	4				

INDENTED PART NAMES INDICATE THESE PARTS ARE INCLUDED IN PREVIOUS ASSEMBLY