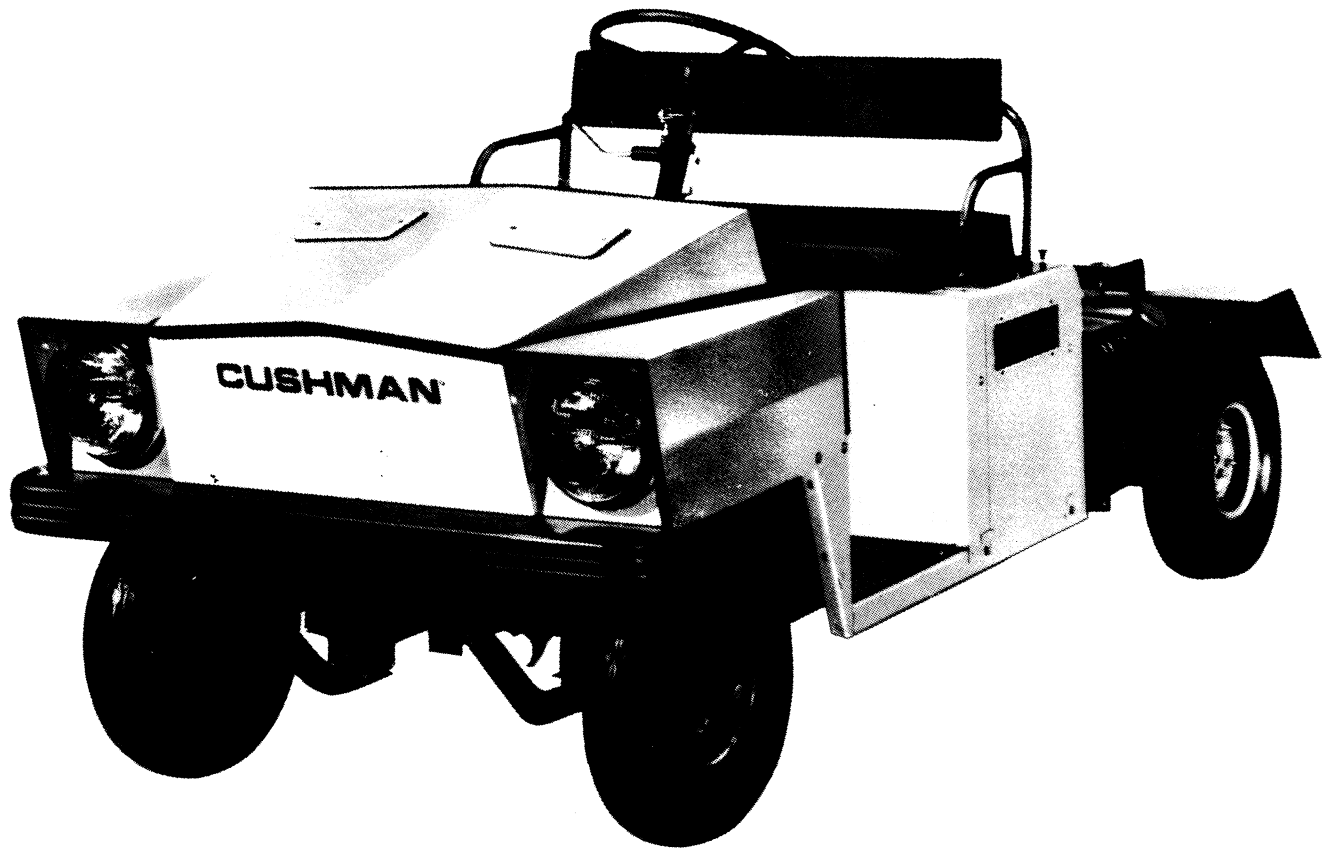


# **CUSHMAN®**

## **PARTS MANUAL**



**HAULSTER**

**898447**

**TURF-TRUCKSTER**

**898547**

### MODEL DESIGNATION

The Model number is given on the vehicle nameplate located on the dash panel.

#### PARTS IN THIS BOOK FIT THE MODEL DESIGNATED BELOW

<b>Model</b>	<b>Description</b>
898447	Haulster, Chassis, 18 H.P.
898547	Turf Truckster, Chassis, 18 H.P.

### MODIFICATIONS

<b>Modification</b>	<b>Description</b>
000561	Heater
000539	Hour Meter
000603	P.T.O. w/Stub Shaft
000625	Hydraulics System
000544	Shock Absorbers Rear w/Overloads
000597	Speedometer
000626	Tachometer

### ACCESSORIES

<b>Accessory No.</b>	<b>Description</b>
883010	P.T.O. Shaft Extension
883024	Hydraulic Dump – Short or Long Box
883002	3-Point Hitch
883014	Manually Operated Hydraulic Dump Set
883016	Short Box
883017	Long Box
882690 w/883019	Top Dresser w/Adapter Frame
883018	Spiker For 3-Point Mount
90073	Spiker – Wheeled Type
882143	Cab
882275	Door Set
883011	Hydraulics System

### REPLACEMENT ENGINE

When ordering replacement engines, refer to the engine model number shown on the engine nameplate attached to the fan housing. Replacement engines include the starter, air cleaner, exhaust manifolds, fan housings and fuel pump.

161121	Twin cylinder, 18 H.P., external alternator not included, four weight variable governor, standard valves, air reversing shrouds.
--------	--

### REPLACEMENT SHORT BLOCK

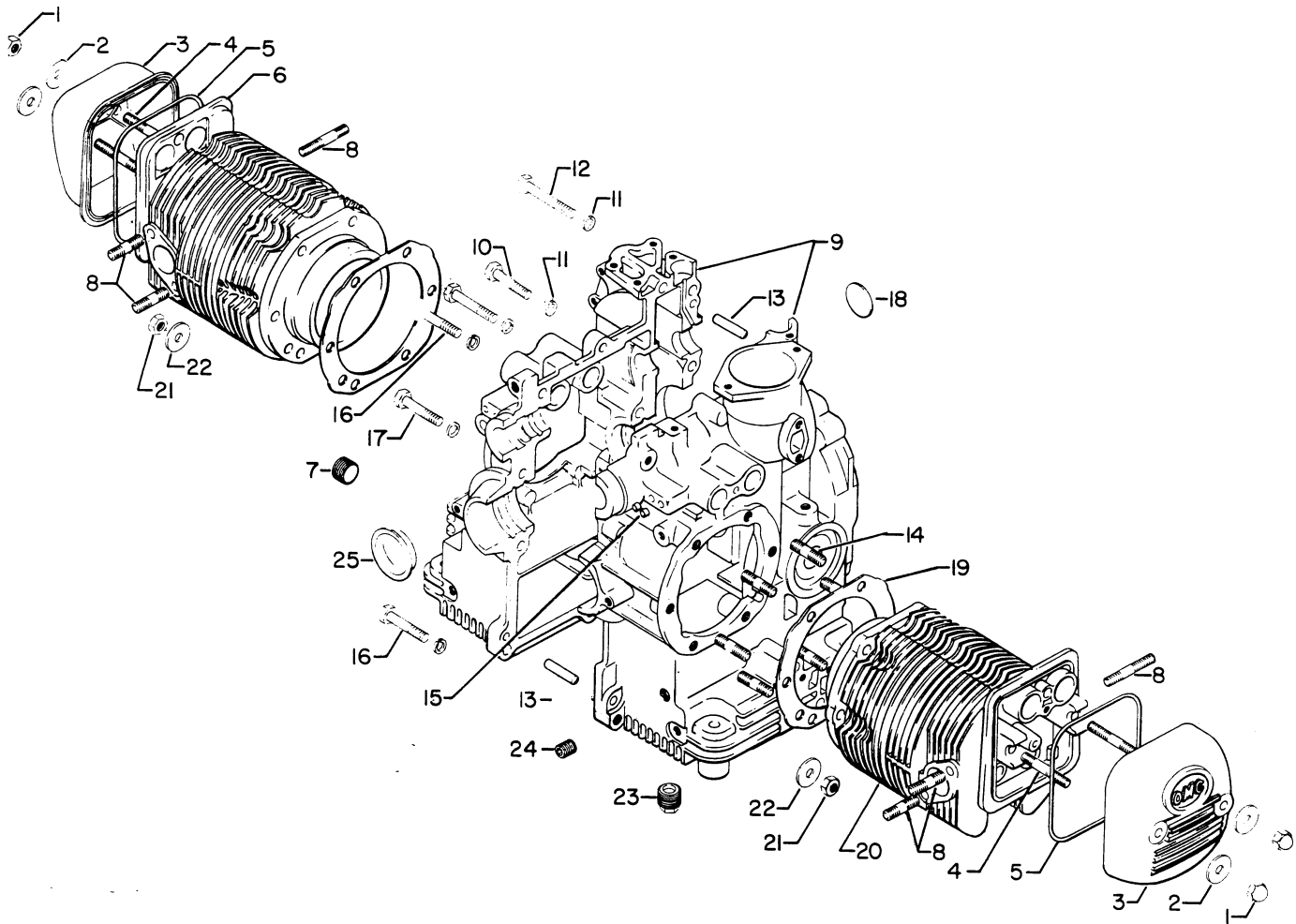
Short blocks include crankcase, cylinders, pistons, rings, connecting rods, crankshafts, camshafts, valves and oil pump.

<b>ENGINE MODEL</b>	<b>SHORT BLOCK</b>
161121	160636

## QUICK REFERENCE INDEX

	Page		Page
AIR CLEANER .....	13	OIL SUPPLY .....	9
AIR SHROUDS .....	15	OVERLOAD SPRINGS .....	47
ALTERNATOR .....	17	PAINT – TOUCH-UP .....	43
AMMETER .....	50	PARKING BRAKE .....	41
AUXILIARY TRANSMISSION .....	25 & 26	PISTONS .....	4
AUXILIARY TRANSMISSION SHIFTER .....	25	PUSH RODS .....	5
AXLE		SEAT .....	53
Front .....	37 & 38	SHIFTER	
Rear .....	32 & 33	Auxiliary Transmission .....	25
BATTERY BOX .....	45	P.T.O. ....	57
BRAKES .....	30 & 31	Transmission .....	24
BRAKE CONTROLS .....	28	SHOCK ABSORBER .....	47
BREAKER POINTS .....	6 & 7	SHROUDS, AIR .....	15
CAMSHAFT .....	5	SOLENOID .....	50
CARBURETOR .....	8	SPEEDOMETER .....	65
CHASSIS .....	54	SPRINGS	
CHOKE CONTROL .....	19	Rear .....	39
CLIPS .....	48	Front .....	36 & 37
CLUTCH .....	21 & 22	Overload .....	47
CLUTCH CONTROLS .....	20	STARTER .....	10 & 11
CONNECTING RODS .....	4	STEERING GEAR .....	27 & 28
CRANKCASE .....	3	STEERING LINKAGE .....	29
CRANKCASE BREATHER .....	13	SWITCHES	
CRANKSHAFT .....	4	Electrical .....	50
CYLINDERS .....	3	Oil Pressure .....	9
DECALS .....	51	Tail Light .....	50
DIFFERENTIAL .....	32 & 33	TACHOMETER .....	50
DIPSTICK .....	9	THROTTLE	
DRIVE SHAFT .....	38	Hand .....	19
ELECTRICAL COMPONENTS .....	50	Foot .....	18
ENGINE COVER .....	40	TIMER .....	6 & 7
EXHAUST SYSTEM .....	16	TIRES .....	46
FAN HOUSING .....	11 & 12	TOW HITCH .....	53
FENDERS		TRANSMISSION .....	22 & 23
Front .....	42 & 43	VALVES .....	5
Rear .....	39	VOLTAGE REGULATOR .....	50
FLOORBOARD .....	42 & 43	WHEELS .....	46
FLYWHEEL .....	17	WHEEL CYLINDER .....	36
FRAME .....	39	WIRING .....	34 & 35
FRONT PANEL .....	42 & 43		
FUEL GAUGE .....	50	<b>MODS AND ACCESSORIES INDEX</b>	
FUEL PUMP .....	12	3-POINT HITCH .....	62
FUEL TANK .....	44	CAB .....	65 & 66
GASKET SET .....	3	Hour Meter .....	45
GOVERNOR .....	6 & 7	Hydraulic Dump .....	63
GROMMETS .....	48	Hydraulics System .....	59
HOLD DOWN LATCH, BOX .....	55	Long or Short Dump Box .....	55
HORN .....	50	Manual Hydraulic Set .....	64
HYDRAULIC BRAKE LINES .....	49	P.T.O. Shaft Extension .....	58
IGNITION COMPONENTS .....	13 & 14	P.T.O. W/STUB SHAFT .....	57
LIGHTS .....	43	Shocks w/overloads .....	47
MANIFOLDS .....	14	Spiker – 3-Point Mount .....	60 & 61
MASTER CYLINDER .....	36	TACHOMETER .....	50
MODEL DESIGNATION .....	Inside Front Cover	TAILGATE RELEASE .....	56
MOUNTS – ENGINE & TRANSMISSION .....	19	TOP DRESSER .....	67-69



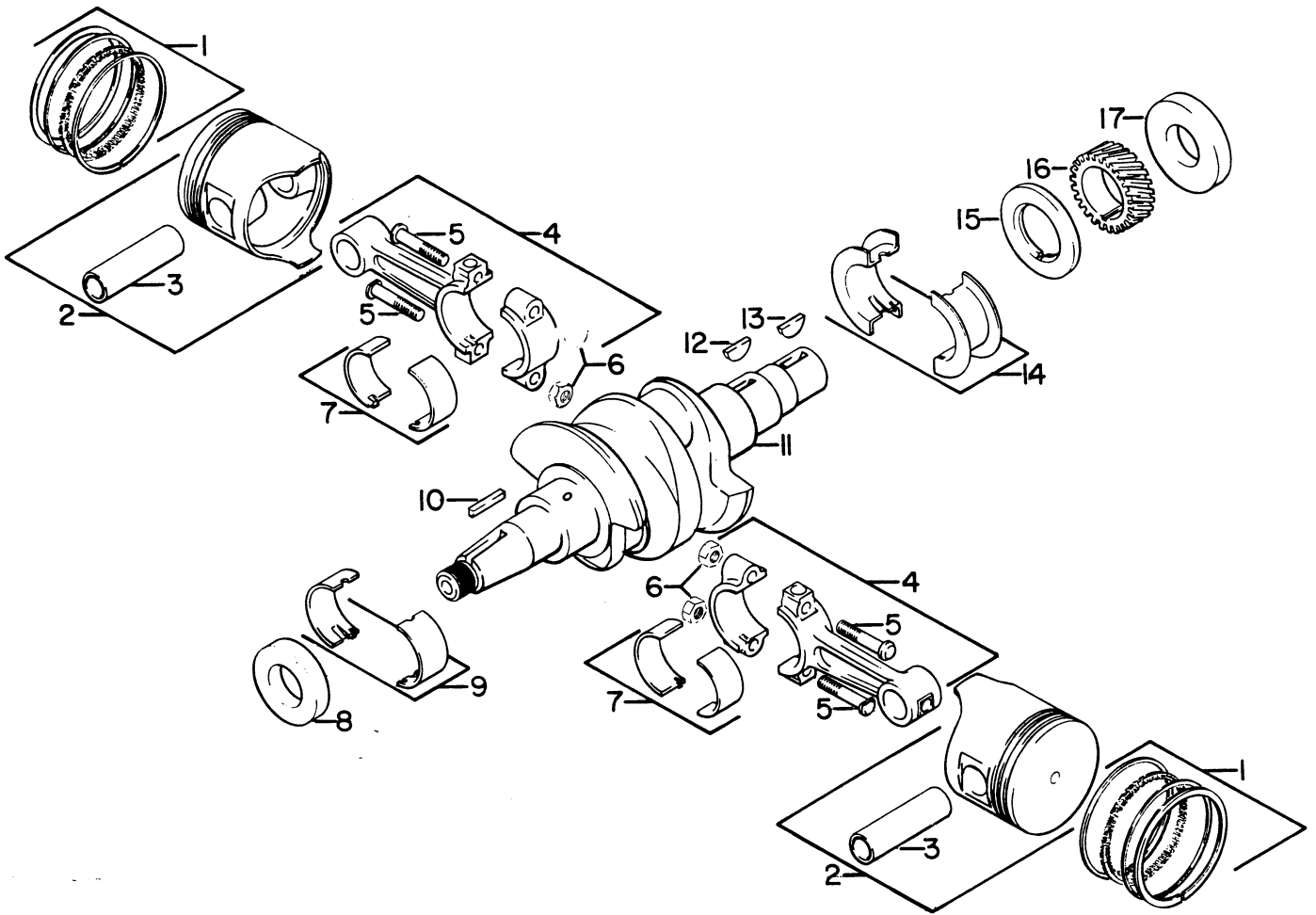


### CRANKCASE & CYLINDER

Ref. No.	Part No.	Description	No. Req'd	Ref. No.	Part No.	Description	No. Req'd
1	800217	Nut, 5/16-24 acorn .....	4	14	111758	. Stud, cylinder mounting .....	12
2	111828	Gasket, nut .....	4	15	114082	. Plug, oil galley .....	4
3	111731	Valve cover .....	2	16	302600	. Screw, 3/8-16 x 1½ hex. hd. ....	8
4	111762	Stud, rocker arm shaft and valve cover .....	4	17	551094	. Screw, 3/8-16 x 1¾ hex. hd. ....	2
5	111716	Gasket, valve cover .....	2	18	308132	Plug, expansion, 15/16" .....	1
6	160352	Cylinder, w/valve seats and guides, less valves .....	1	19	111715	Gasket, cylinder .....	2
7	800231	Plug, ½ pipe .....	1	20	160352	Cylinder, w/valve seats and guides, less valves .....	1
8	111786	Stud, manifold .....	8	21	805837	Nut, 3/8-24 lock .....	12
9	160354	Crankcase set .....	1	22	306405	Washer, 3/8 plain .....	12
10	307776	. Screw, 3/8-16 x 2¾ hex. hd. ....	13	23	111071	Plug, drain, ½ pipe .....	1
11	306353	. Lockwasher, 3/8 .....	13	24	800228	Plug, ¾ pipe .....	1
12	306837	. Screw, 3/8-16 x 3¼ hex. hd. ....	2	25	111961	Cover, camshaft .....	1
13	111043	. Taper pin .....	2	*	112008	Crankcase cement, 5-oz. tube .....	1
				*	160440	Gasket Set .....	1

\*Not illustrated

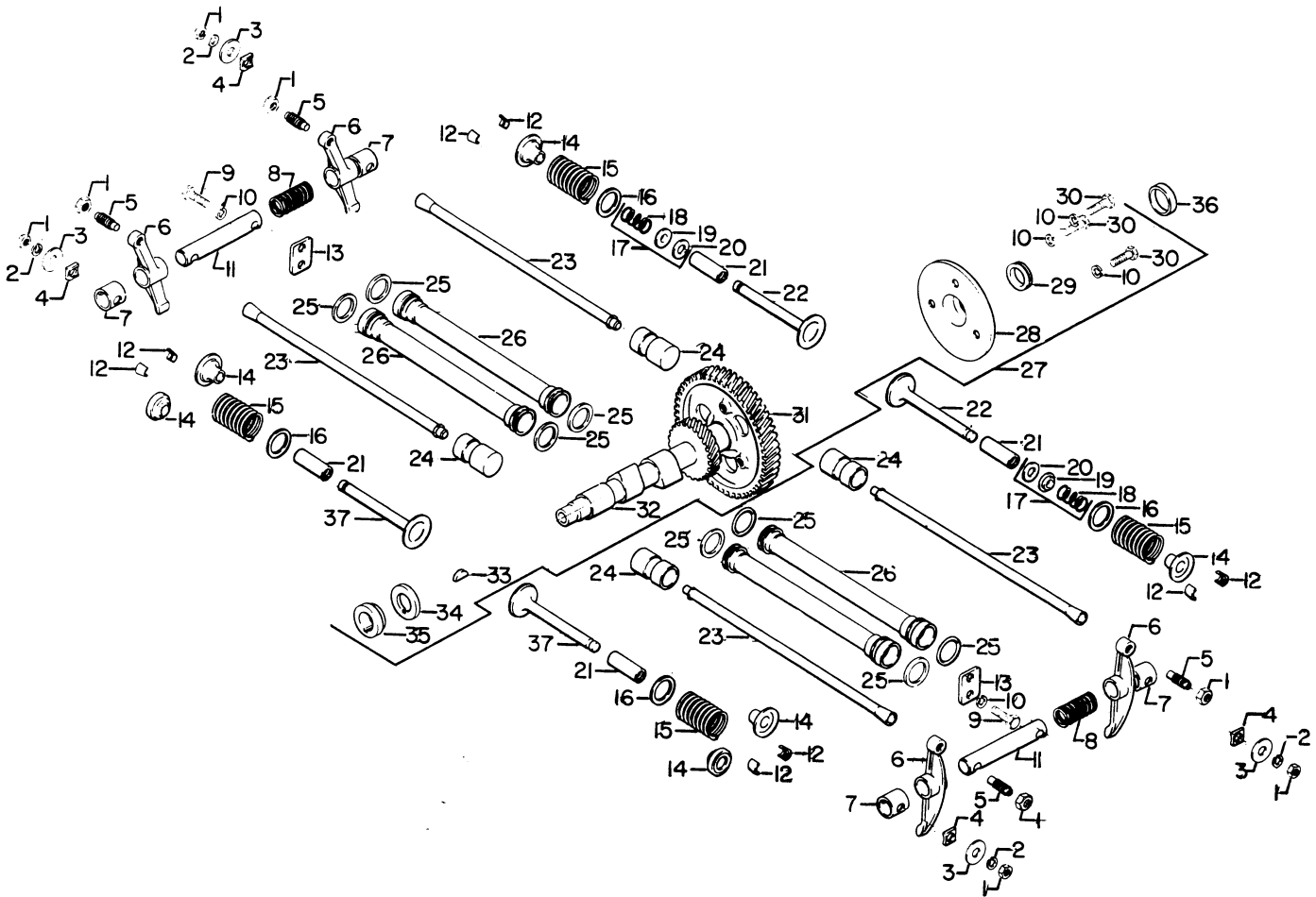
INDENTED PART NAMES INDICATE THESE PARTS ARE INCLUDED IN PREVIOUS ASSEMBLY



### CRANKSHAFT, CONNECTING RODS AND PISTONS

Ref. No.	Part No.	Description	No. Req'd	Ref. No.	Part No.	Description	No. Req'd	
1	160434	Ring set, standard .....	2		112456	Bearing inserts, connecting rod, .030 u/s .....	2	
	160435	Ring set, .020 o/s .....	2		8	111729	Seal, front .....	1
	160436	Ring set, .030 o/s .....	2	9	112458	Main bearing set, front, standard .....	1	
2	160441	Piston, w/wrist pin, standard .....	2		112459	Main bearing set, front, .015 u/s .....	1	
	160442	Piston, w/wrist pin, .020 o/s .....	2		112460	Main bearing set, front, .030 u/s .....	1	
	160443	Piston, w/wrist pin, .030 o/s .....	2	10	111807	Key, flywheel .....	1	
3	111664	. Wrist pin .....	2	11	111663	Crankshaft .....	1	
4	160363	Connecting rod, w/hardware (order inserts separately) .....	2	12	307661	Key, gear .....	1	
5	111694	. Screw, connecting rod .....	4	13	307662	Key, crankshaft, rear .....	1	
6	800221	. Nut, connecting rod .....	4	14	112462	Main bearing set, rear, standard .....	1	
7	112454	Bearing inserts, connecting rod, standard .....	2		112463	Main bearing set, rear, .015 u/s .....	1	
	112455	Bearing inserts, connecting rod, .015 u/s .....	2		112464	Main bearing set, rear, .030 u/s .....	1	
				15	111659	Spacer, gear .....	1	
				16	111656	Gear, timing .....	1	
				17	111756	Seal, rear .....	1	

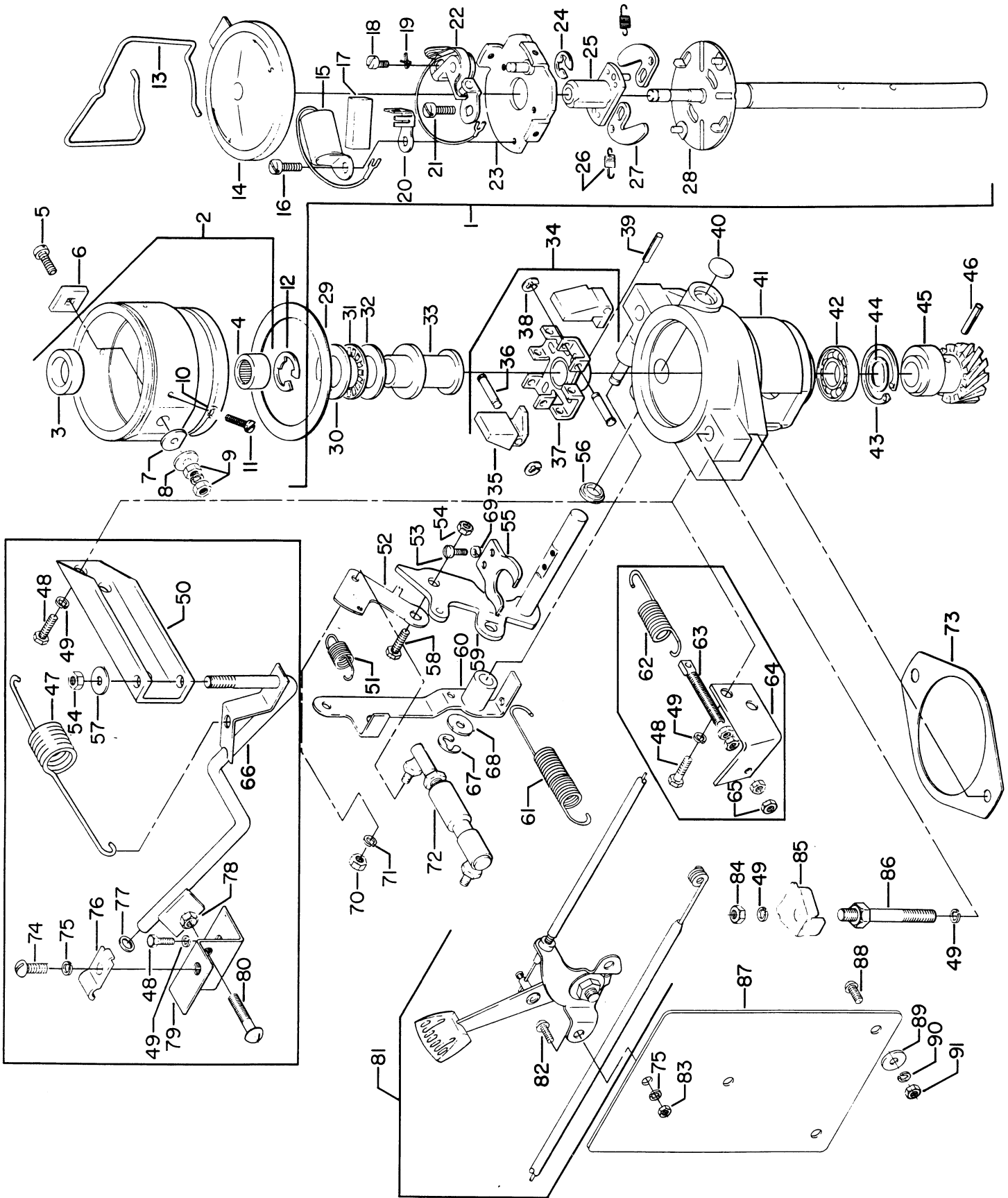
INDENTED PART NAMES INDICATE THESE PARTS ARE INCLUDED IN PREVIOUS ASSEMBLY



### CAMSHAFT, VALVES AND PUSH RODS

Ref. No.	Part No.	Description	No. Req'd	Ref. No.	Part No.	Description	No. Req'd
1	307842	Nut, 5/16-24 hex. hd. ....	8	20	111087	. Gasket, intake valve stem .....	2
2	306325	Lockwasher, 5/16 .....	4	21	112007	Guide, valve .....	4
3	306986	Washer, 5/16 plain .....	4	22	111739	Valve, intake .....	2
4	111728	Cap, shaft .....	4	23	111730	Push rod .....	4
5	111732	Screw, tappet adjusting .....	4	24	111733	Tappet .....	4
6	111038	Rocker, arm .....	4	25	111751	"O" Ring .....	8
7	111743	Bushing, shaft .....	4	26	111752	Housing, push rod .....	4
8	111727	Spring, spacer .....	2	27	160379	Camshaft, w/gear, cover & seals .....	1
9	306487	Screw, 1/4-20 x 5/8 hex. hd. ....	2	28	111734	. Cover, gear .....	1
10	306396	Lockwasher, 1/4 .....	5	29	111837	. Seal, cover .....	1
11	111668	Shaft, rocker arm .....	2	30	306419	. Screw, 1/4-20 x 1/2 hex. hd. ....	3
12	111741	Keeper half .....	8	31	111662	. Timing gear .....	1
13	111759	Retainer, housing .....	2	32	111661	. Camshaft .....	1
14	111658	Retainer, valve spring .....	2 or 4	33	306560	. Key .....	2
15	111750	Spring, valve .....	2 or 4	34	111660	. Washer, thrust .....	1
16	111742	Washer, valve spring .....	4	35	111667	. Collar, retaining .....	1
17	160700	Valve seal set .....	2	36	111785	Seal, camshaft .....	1
18	111086	. Spring, intake valve stem .....	2	37	111740	Valve, exhaust .....	2
19	111085	. Seal, intake valve stem .....	2				

INDENTED PARTS INDICATE THESE PARTS ARE INCLUDED IN PREVIOUS ASSEMBLY



**TIMER & GOVERNOR**  
(List on page 7)

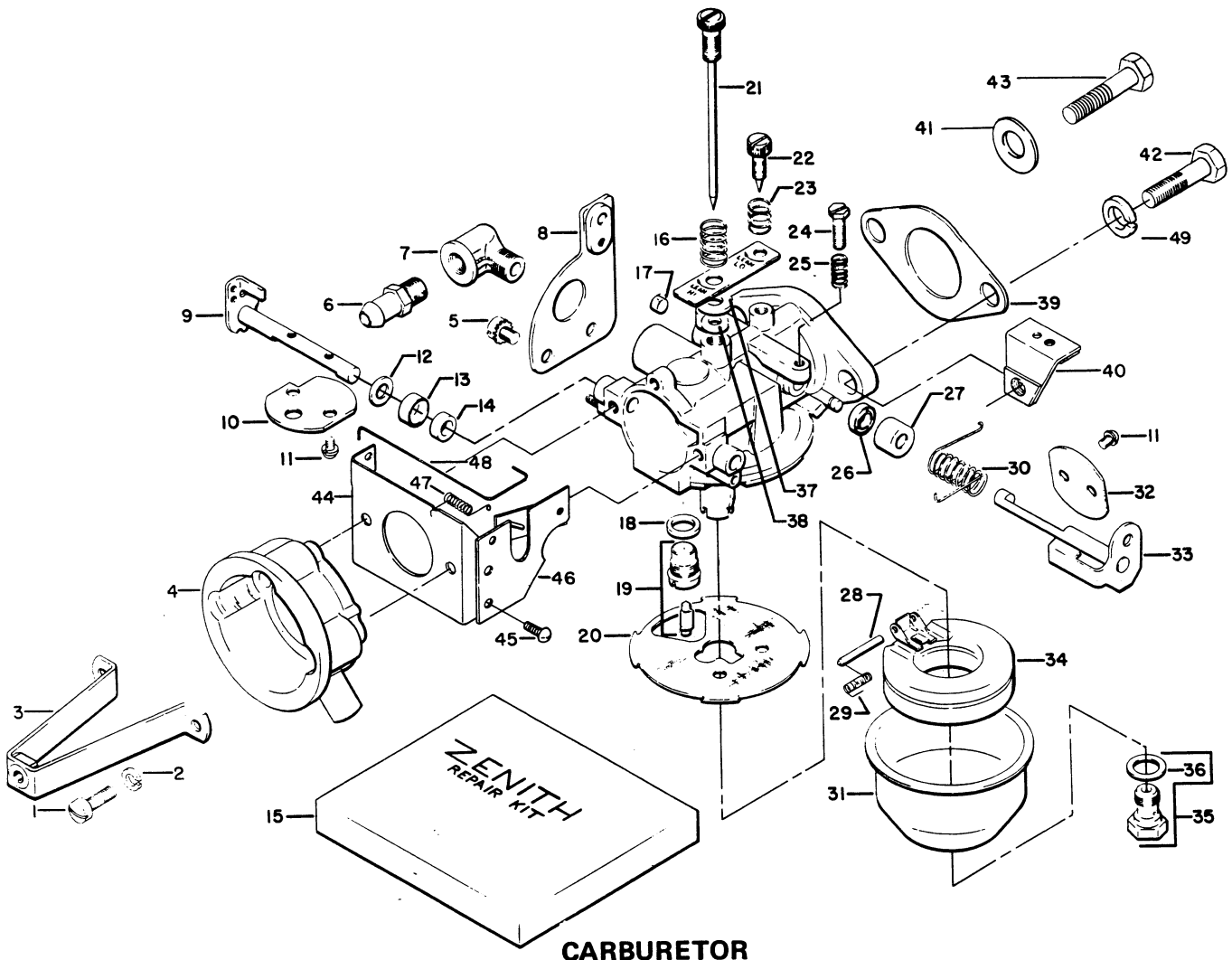


## TIMER & GOVERNOR

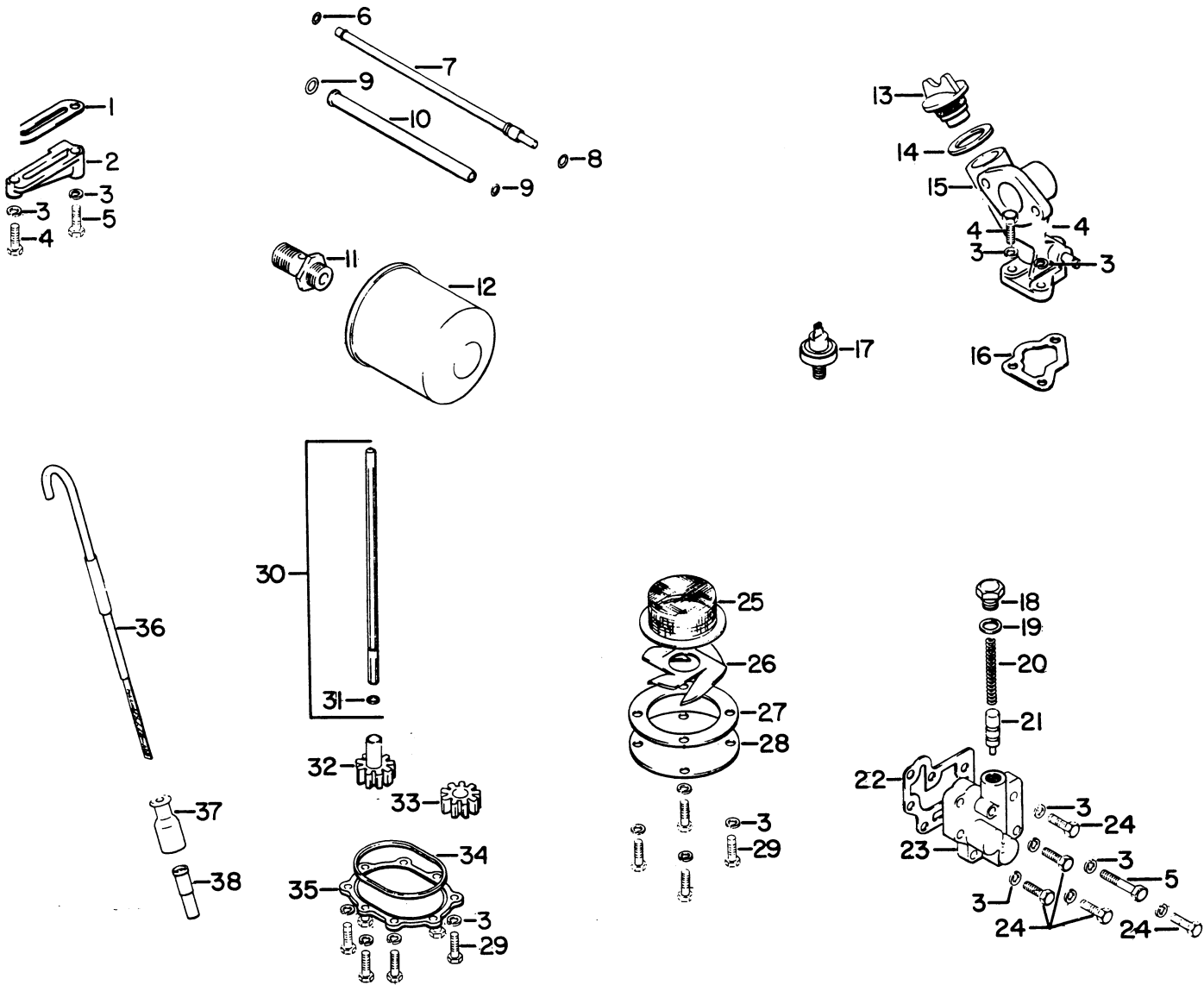
(Illustrated on page 6)

Ref. No.	Part No.	Description	No. Req'd	Ref. No.	Part No.	Description	No. Req'd
	161904	Timer, w/governor and gear (4 wt.)....	1	46	603501	. Roll pin .....	2
1	161902	. Timer complete .....	1	47	110700	. Spring .....	1
2	580433	. . Housing, w/seal and bushing .....	1	48	306487	. Screw, ¼–20 x 5/8 .....	2
3	510499	. . Seal, housing .....	1	49	306396	. Lockwasher, ¼ .....	6
4	510505	. . Needle bearing .....	1	50	160766	. Bracket .....	1
5	510530	. . Screw, terminal .....	1	51	114444	. Spring .....	1
6	510479	. . Block, insulating .....	1	52	114308	. Lever, auxiliary .....	1
7	510598	. . Bushing, insulating .....	1	53	306915	. Screw, No. 6–32 x 5/16 .....	2
8	121038	. . Washer, No. 6 .....	1	54	800048	. Nut, ¼–28 hex. ....	1
9	306510	. . Nut, No. 6–32 .....	2	55	111812	. Yoke, spool .....	1
10	306506	. . Lockwasher, No. 6 .....	5	56	111813	. Seal, shaft .....	1
11	307136	. . Screw, No. 6–32 x 5/16 .....	3	57	308090	. Washer, ¼ .....	1
12	510487	. . Retaining ring .....	1	58	300977	. Screw, ¼–28 x 5/8 .....	1
13	510543	. . Clamp, timer .....	1	59	160409	. Lever and shaft .....	1
14	580427	. . Cover .....	1	60	160421	. Arm, w/bushing .....	1
15	510613	. . Condenser .....	1	61	110895	. Spring .....	1
16	510490	. . Screw, No. 10–32 x ¼ .....	1	62	111907	. Spring .....	1
17	510189	. . Wick, oiler .....	1	63	111893	. Screw, adjusting .....	1
18	510185	. . Screw, eccentric .....	1	64	111926	. Bracket .....	1
19	307594	. . Clip, spring .....	1	65	132520	. Nut, No. 10–32 .....	4
20	510480	. . Clip, oiler .....	1	66	160767	. Lever .....	1
21	308120	. . Screw, breaker plate .....	1	67	111939	. Retaining ring .....	1
22	580394	. . Breaker point set .....	1	68	120590	. Washer, ¼ .....	1
23	580485	. . Base, w/shaft and pins .....	1	69	306506	. Lockwasher, No. 6 .....	5
24	202139	. . Retaining ring .....	1	70	133079	. Nut, No. 8–32 .....	2
25	580518	. . Cam, w/pins .....	1	71	306991	. Lockwasher, No. 8 .....	2
26	510631	. . Spring, weight .....	2	72	112048	. Link, governor .....	1
27	510590	. . Weight .....	2	73	111771	. Gasket, housing .....	1
28	580472	. . Base, w/post .....	1	74	306514	. Screw, No. 10–24 x ½ .....	1
29	111769	. Gasket, housing .....	1	75	120052	. Lockwasher, No. 10 .....	3
30	111814	. Thrust washer, arm .....	1	76	111898	. Clamp, cable .....	1
31	111815	. Thrust bearing, spool .....	1	77	809258	. Retaining ring .....	1
32	111816	. Thrust washer, spool .....	1	78	130728	. Nut, ¼–20 .....	1
33	111817	. Spool, governor .....	1	79	160847	. Bracket, cable .....	1
34	160410	. Carrier, w/4 weights .....	1	80	306001	. Screw, ¼–20 x 1¼ .....	1
35	111819	. . Weight, governor .....	2 or 4	81	816066	. Lever, governor control .....	1
36	111820	. . Pin weight .....	2 or 4	82	800271	. Screw, 10–24 x ½ .....	2
37	111818	. . Carrier, weight .....	1	83	306531	. Nut, 10–24 .....	2
38	111821	. . Retaining ring .....	2 or 4	84	306397	. Nut, ¼–28 .....	2
39	306966	. Roll pin, 1/8 x ¼ .....	1	85	111768	. Clamp, timer .....	2
40	202310	. Expansion plug, ½" .....	1	86	111824	. Stud, timer .....	1
41	160423	. Housing w/pin .....	1	87	817490	. Bracket, governor cable .....	1
42	111822	. Bearing, shaft .....	1	88	800019	. Screw, ¼–20 x ½ .....	1
43	111823	. Retaining ring .....	1	89	302090	. Washer, ¼ .....	1
44	111770	. Washer, wave .....	1	90	306396	. Lockwasher, ¼ .....	4
45	111755	. Gear, driven .....	1	91	306375	. Nut, ¼–20 .....	1

INDENTED PART NAMES INDICATE THESE PARTS ARE INCLUDED IN PREVIOUS ASSEMBLY

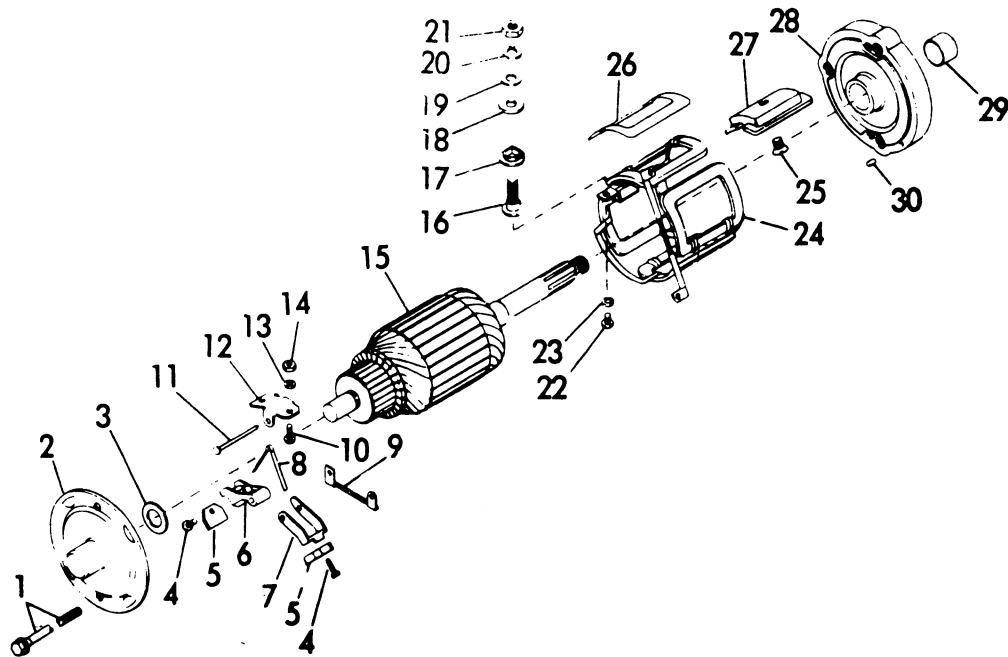


Ref. No.	Part No.	Description	No. Req'd	Ref. No.	Part No.	Description	No. Req'd
	161931	Carburetor complete .....	1	27*	113420	.. Retainer .....	1
1	306543	.. Screw, No. 10 32 x 5/8 .....	3	28*	113430	.. Pin, float .....	1
2	120052	.. Lockwasher No. 10 .....	3	29	113431	.. Spring, float .....	1
3	161735	.. Bracket .....	1	30	113450	.. Spring, throttle .....	1
4	113318	.. Connector .....	1	31	113433	.. Bowl, fuel .....	1
5	303791	.. Screw No. 10 32 x 5/16 .....	2	32	113436	.. Plate, throttle .....	1
6	303492	.. Nipple, fuel line .....	1	33	113449	.. Throttle, shaft/lever .....	1
7	111946	.. Elbow 90 degrees .....	1	34	113429	.. Float .....	1
8	161678	.. Bracket, choke cable .....	1	35	113455	.. Main jet .....	1
	161927	.. Carburetor .....	1	36*	113445	.. Washer, main jet .....	1
9	113438	.. Choke shaft/lever .....	1	37	113443	.. Washer, main adj. needle .....	1
10	113454	.. Plate, choke .....	1	38	113442	.. Washer, rubber .....	1
11	113437	.. Screw, choke/throttle plate .....	4	39*	111767	.. Gasket .....	1
12*	113453	.. Washer, choke shaft .....	1	40	162277	.. Bracket .....	1
13*	113452	.. Retainer, shaft seal .....	1	41	308419	.. Washer 5/16" .....	1
14*	113451	.. Seal, choke shaft .....	1	42	307718	.. Screw, 5/16"-24 x 1 1/8" .....	1
15	161768	.. Carburetor repair kit .....	1	43	306504	.. Screw, 5/16"-24 x 1" .....	1
16	113441	.. Spring, main needle .....	1		162273	.. Idle ass'y, fast .....	1
17	113421	.. Plug, throttle shaft .....	1	44	162274	.. Bracket .....	1
18	113447	.. Washer, fuel valve .....	1	45	130255	.. Screw, No. 10 24 x 1/4" .....	2
19*	113456	.. Valve and seat .....	1	46	162275	.. Plate ass'y, side .....	1
20*	113432	.. Gasket, bowl .....	1	47	114305	.. Spring .....	1
21*	113457	.. Idle jet/main adj. needle .....	1	48	114300	.. Rod, cam pivot .....	1
22	113422	.. Needle, idle adj. .....	1	49	306325	.. Lockwasher 5/16" .....	1
23	113423	.. Spring, idle needle .....	1	+	306799	.. Lockwasher, 5/16" shakeproof .....	1
24	113428	.. Screw, throttle stop .....	1	+	306390	.. Nut, 5/16-24 .....	1
25	113448	.. Spring, throttle stop .....	1			.. +Not illustrated	
26*	113419	.. Seal, throttle shaft .....	1			.. *Included in repair kit no. 161768	



### OIL SUPPLY

Ref. No.	Part No.	Description	No. Req'd	Ref. No.	Part No.	Description	No. Req'd
1	111745	Gasket, rerun block .....	2	20	111827	Spring, relief valve .....	1
2	111746	Block, oil return .....	2	21	111790	Valve, relief .....	1
3	306396	Lockwasher, ¼ .....	24	22	111792	Gasket, housing .....	1
4	302288	Screw, ¼-20 x 1 .....	4	23	111793	Housing, relief valve .....	1
5	303459	Screw, ¼-20 x 1½ .....	3	24	306418	Screw, ¼-20 x 1 1/8 .....	5
6	111764	"O" Ring, tube .....	2	25	111720	Strainer .....	1
7	111810	Tube, oil supply .....	2	26	111860	Retainer, strainer .....	1
8	111838	"O" Ring, tube .....	2	27	111726	Gasket, cover .....	1
9	111748	"O" Ring, tube .....	4	28	111721	Cover, strainer .....	1
10	111747	Tube, oil return .....	2	29	306487	Screw, ¼-20 x 5/8 .....	12
11	111757	Adapter, filter .....	1	30	160380	Shaft, drive, w/ring .....	1
12	111836	Filter, oil .....	1	31	111777	Retaining ring .....	1
13	111858	Cap, filler .....	1	32	160376	Gear, drive .....	1
14	111784	Gasket, cap .....	1	33	111753	Gear, idler .....	1
15	111804	Filler, oil .....	1	34	111775	Gasket, cover .....	1
16	111773	Gasket, filler .....	1	35	111719	Cover, pump .....	1
17	111920	Switch, oil pressure .....	1	36	169782	Dipstick .....	1
18	111791	Screw, relief valve .....	1	37	111885	Sleeve, dipstick, rubber .....	1
19	111783	Gasket, screw .....	1	38	111349	Tube, dipstick .....	1

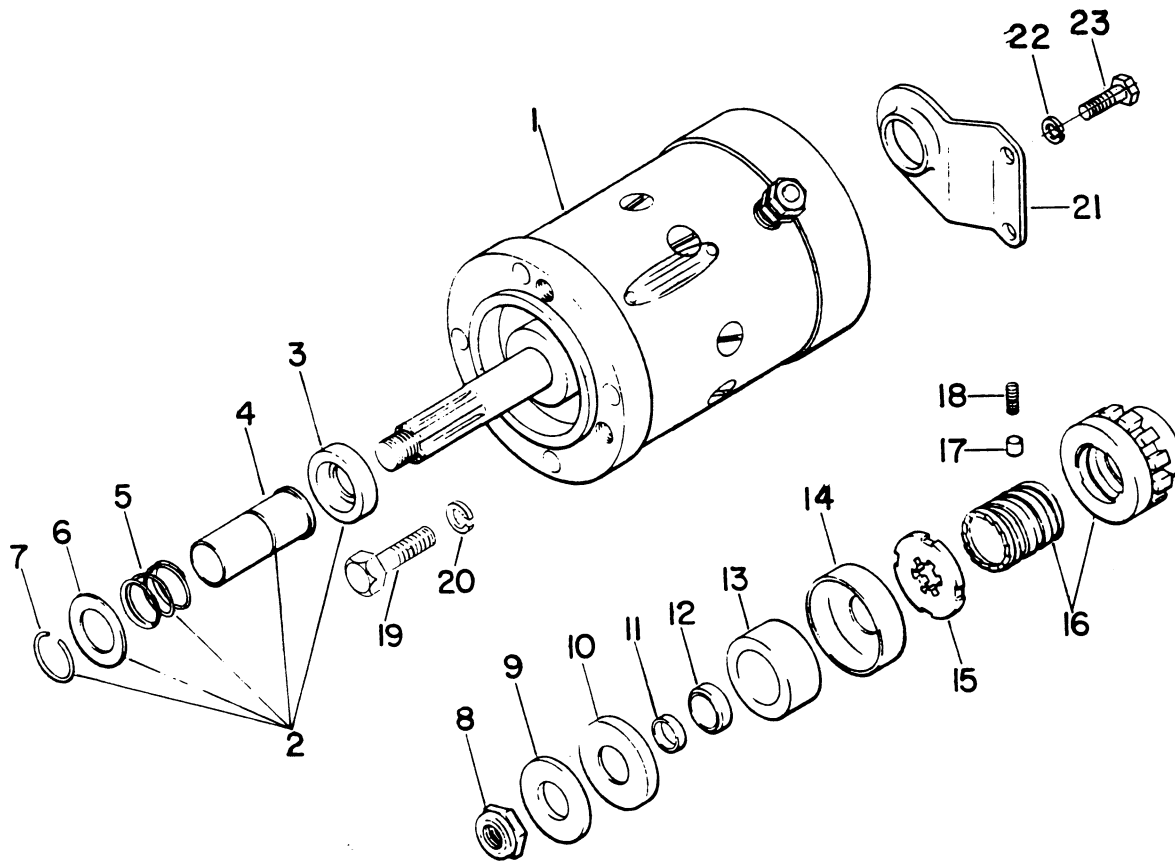


**STARTER-MOTOR  
(DELCO-REMY)**

Ref. No.	Part No.	Description	No. Req'd	Ref. No.	Part No.	Description	No. Req'd
	110905	Starter-Motor .....	1	15	110950	. Armature .....	1
1	110972	. Thru bolt, frive end .....	2	16	110953	. Stud, terminal .....	1
2	110959	. Commutator end plate .....	1	17	110957	. Insulator, stud .....	1
3	110960	. Washer, thrust .....	1	18	110956	. Washer, insulating .....	1
4	110965	. Screw, brush .....	4	19	110958	. Washer, stud .....	1
5	110961	. Brush .....	4	20	306325	. Lockwasher .....	2
6	110964	. Brush holder, insulated .....	2	21	306932	. Nut .....	2
7	110963	. Brush holder, ground .....	2	22	302430	. Screw, lead to terminal .....	1
8	110962	. Spring, brush .....	2	23	120122	. Lockwasher, lead to terminal .....	1
	110966	. Support, brush holder .....	**	24	110954	. Field coil .....	1
9	110967	. Lead, brush ground .....	1	25	110952	. Screw, pole shoe .....	4
10	309857	. Screw, support .....	2	26	110955	. Insulator, field coil .....	4
11	110968	. Pin, support .....	1	27	110951	. Pole Shoe .....	4
12	+	. Brush support .....	1	28	110969	. Housing, drive .....	1
13	120052	. Lockwasher .....	2	29	110970	. Bushing, drive end .....	1
14	306531	. Nut .....	2	30	110971	. Pin, drive end .....	1

INDENTED PART NAMES INDICATE THESE PARTS ARE INCLUDED IN PREVIOUS ASSEMBLY

+Not Offered



**STARTER**

Ref. No.	Part No.	Description	No. Req'd	Ref. No.	Part No.	Description	No. Req'd
1	110905	Starter motor .....	1	13	112034	.. Cushion .....	1
*	110901	.. Bendix drive .....	1	14	112035	.. Cup, inner .....	1
2	112042	.. Sleeve and spring .....	1	15	112036	.. Ratchet .....	1
3	112047	... Stop, pinion .....	1	16	110902	.. Worm drive and pinion, .....	
4	112046	... Sleeve .....	1			w/spring and cup .....	1
5	112045	... Spring, anti-drift .....	1	17	112041	... Cup, spring .....	1
6	112044	... Washer .....	1	18	112040	... Spring .....	1
7	112043	... Ring, retaining .....	1	19	306414	Screw, 3/8-16 x 1 .....	3
8	112029	.. Nut, 1/2-20 .....	1	20	120177	Lockwasher, 3/8 .....	3
9	112030	.. Thrust washer .....	1	21	160386	Bracket, support .....	1
10	112031	.. Cup, outer .....	1	22	306396	Lockwasher, 1/4 .....	2
11	112032	.. Bushing .....	1	23	306409	Screw, 1/4-20 x 3/4 .....	2

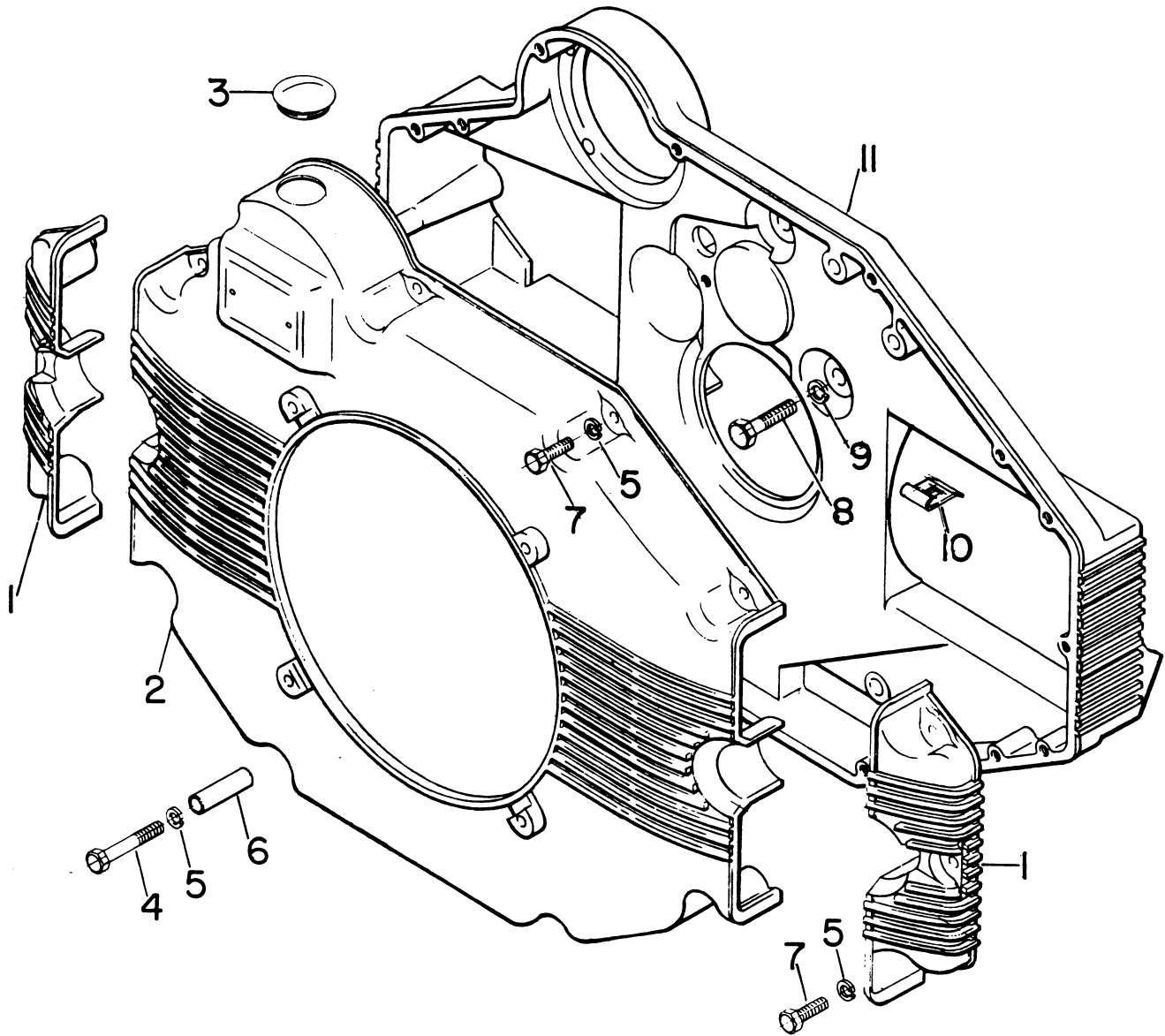
\*Not illustrated

**FAN HOUSING**

(Illustrated on page 12)

Ref. No.	Part No.	Description	No. Req'd	Ref. No.	Part No.	Description	No. Req'd
1	111797	Cap, fan housing .....	2	7	302288	Screw, 1/4-20 x 1 hex. hd. ....	13
2	160365	Housing, fan front (w/hole plug) ..	1	8	302600	Screw, 3/8-16 x 1 1/2 hex. hd. ....	5
3	112002	.. Hole plug, rubber .....	1	9	120177	Lockwasher, 3/8 .....	5
4	308480	Screw, 1/4-20 x 2 1/2 hex. hd. ....	2	10	111928	Nut, speed .....	4
5	306396	Lockwasher, 1/4 .....	15	11	160640	Housing, fan, rear .....	1
6	111958	Spacer .....	2				

INDENTED PART NAMES INDICATE THESE PARTS ARE INCLUDED IN PREVIOUS ASSEMBLY

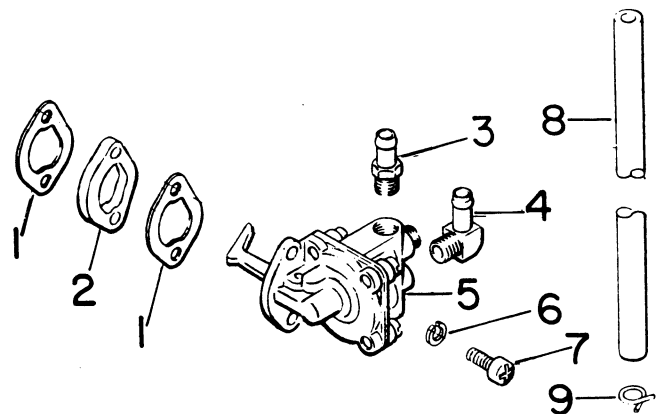


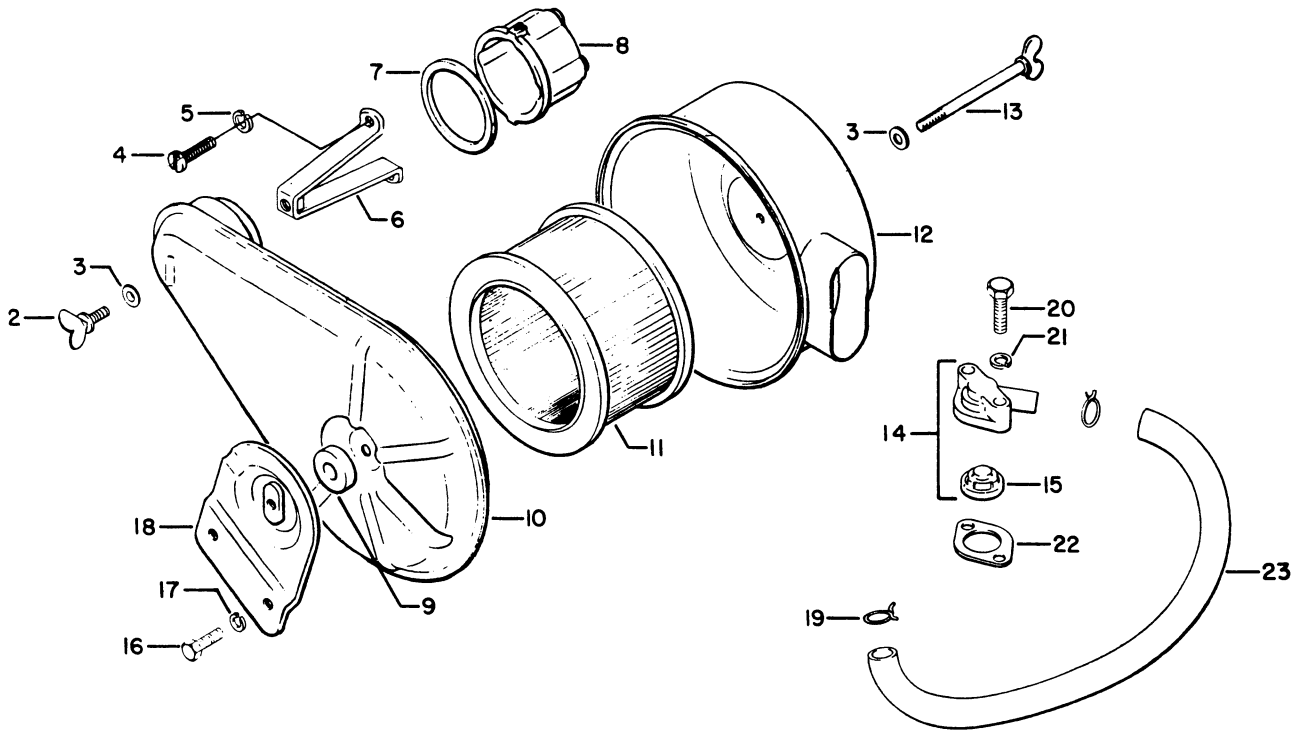
### FAN HOUSING

(List on page 11)

### FUEL PUMP

Ref. No.	Part No.	Description	No. Req'd
1	111779	Gasket, fuel pump .....	2
2	111890	Block, insulator .....	1
3	303492	Nipple .....	1
4	113853	Elbow .....	1
5	111368	Fuel Pump .....	1
6	306396	Lockwasher, ¼ .....	2
7	800229	Screw, ¼-20 x 1 fillister hd. ....	2
8	307406	Fuel line (to carburetor) .....	1
9	552199	Clamp, fuel line .....	2





### AIR CLEANER AND CRANKCASE BREATHER

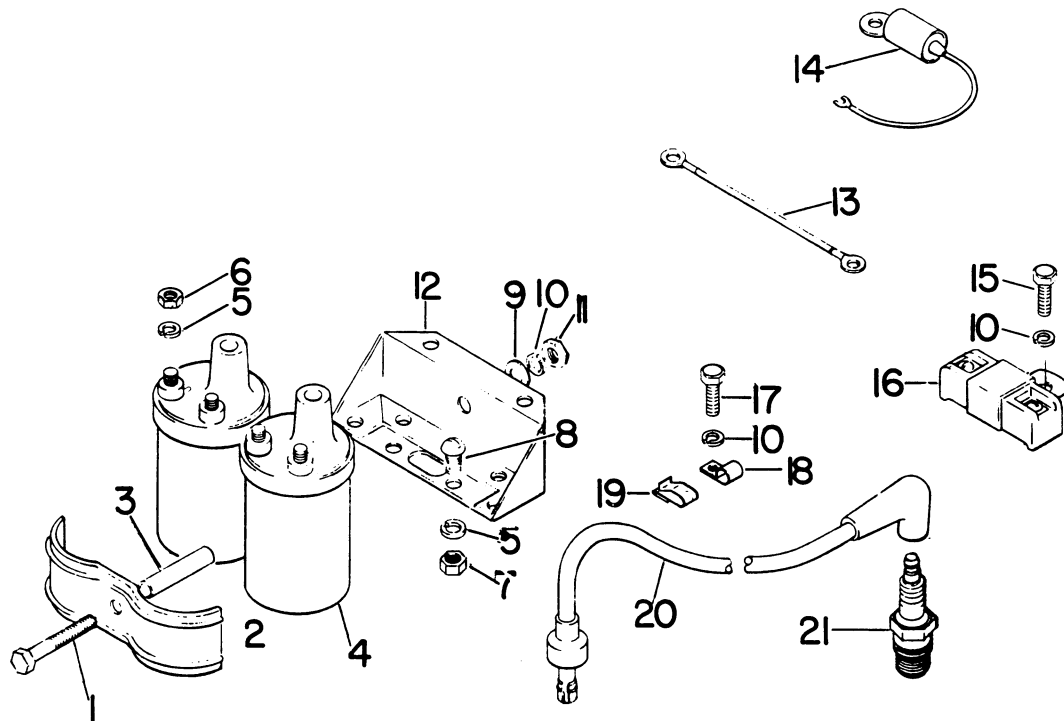
Ref. No.	Part No.	Description	No. Req'd	Ref. No.	Part No.	Description	No. Req'd
2	604213	Wing screw .....	1	13	111881	Wing screw .....	1
3	111173	Seal, rubber .....	2	14	160387	Housing, w/breather valve .....	1
4	306543	Screw, No. 10-32 x 5/8 .....	3	15	111744	Breather valve .....	1
5	120052	Lockwasher, No. 10 .....	3	16	306555	Screw, 5/16-18 x 5/8 .....	2
6	161735	Bracket .....	1	17	306325	Lockwasher, 5/16 .....	2
7	111878	Gasket, adapter .....	1	18	160401	Bracket .....	1
8	113318	Adapter .....	1	19	308647	Clamp, breather hose .....	2
9	111877	Gasket, mounting .....	1	20	306418	Screw, 1/4-20 x 1 1/8 .....	2
10	161532	Body, air cleaner .....	1	21	306396	Lockwasher, 1/4 .....	2
11	111316	Element, air cleaner .....	1	22	111834	Gasket, breather housing .....	1
12	112005	Cover, air cleaner .....	1	23	111909	Hose, breather .....	1

INDENTED PART NAMES INDICATE THESE PARTS ARE INCLUDED IN PREVIOUS ASSEMBLY

### IGNITION COMPONENTS

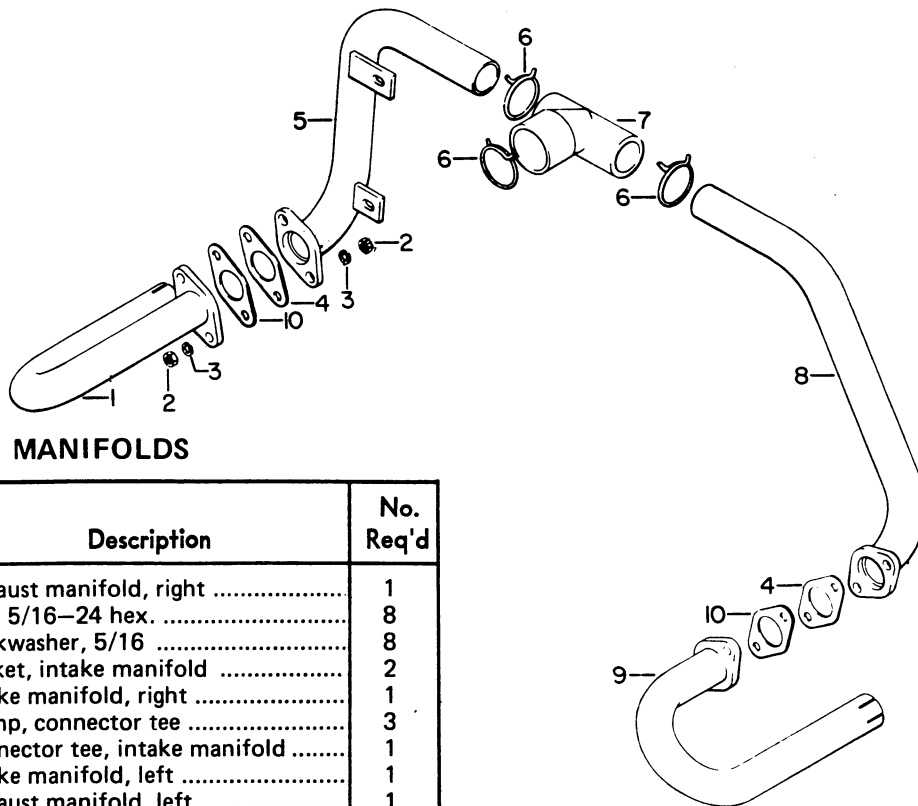
(Illustrated on page 14)

Ref. No.	Part No.	Description	No. Req'd	Ref. No.	Part No.	Description	No. Req'd
1	308480	Screw, 1/4-20 x 2 1/2 .....	1	13	112987	Wire, coil to coil .....	1
2	112940	Clamp, coil .....	1	14	510613	Condenser .....	1
3	113744	Sleeve .....	1	15	306487	Screw, 1/4-20 x 5/8 hex. hd. ....	1
4	980659	Coil .....	2	16	580601	Resistor .....	1
5	120052	Lockwasher, No. 10 .....	6	17	306419	Screw, 1/4-20 x 1/2 hex. hd. ....	1
6	132520	Nut, No. 10-32 .....	4	18	111886	Clip, short plug wire .....	1
7	306520	Nut, No. 10-24 hex. ....	2	19	111887	Clip, long plug wire .....	1
8	306460	Screw, No. 10-24 x .....	2	20	113745	Wire, plug, short .....	1
9	308090	Washer, 1/4 .....	1			or	
10	306396	Lockwasher, 1/4 .....	3		113746	Wire, plug, long .....	1
11	306375	Nut, 1/4-20 hex. ....	1	21	111960	Spark plug .....	2
12	881848	Bracket, coil mounting .....	1				



### IGNITION COMPONENTS

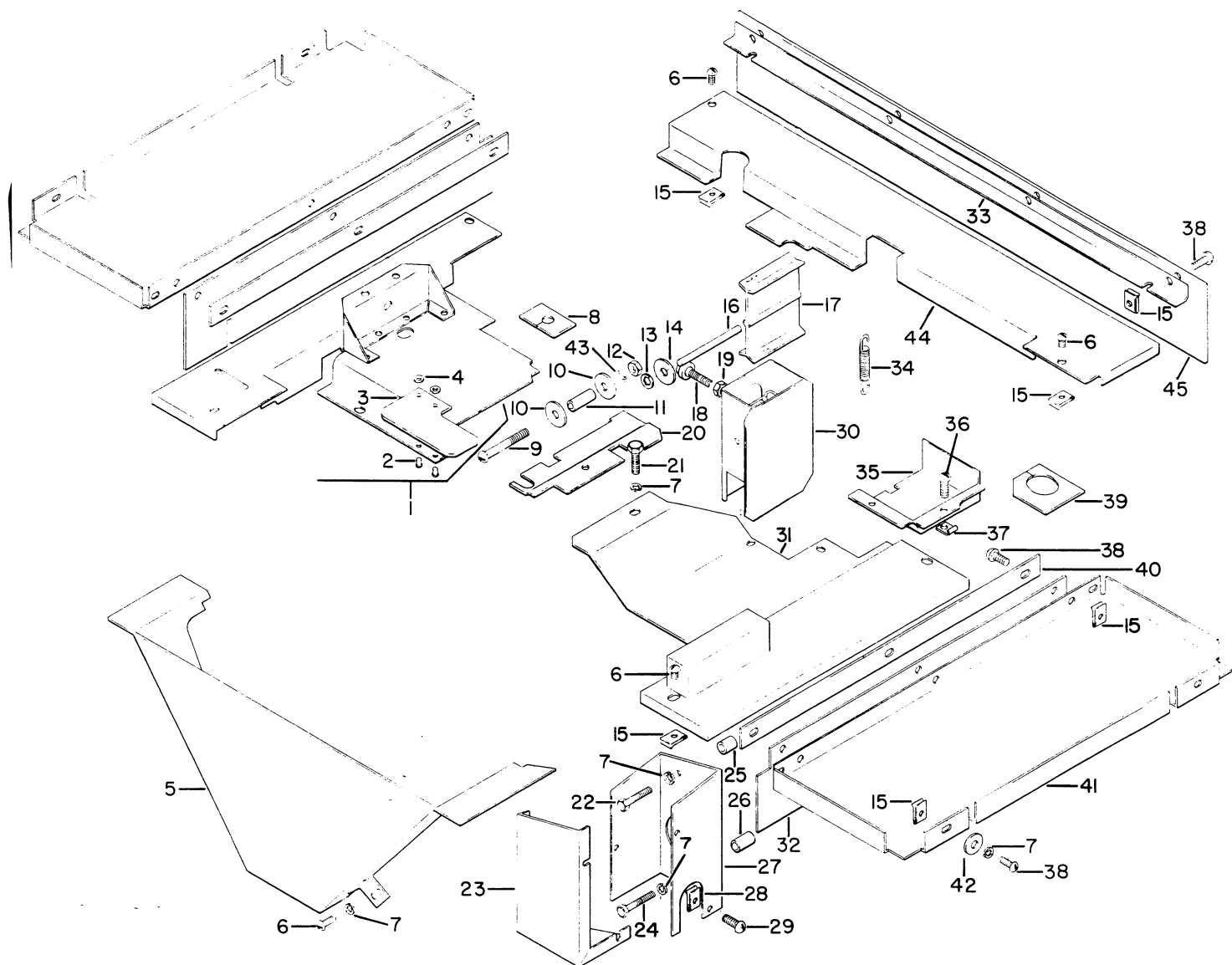
(List on page 13)



### MANIFOLDS

Ref. No.	Part No.	Description	No. Req'd
1	160396	Exhaust manifold, right .....	1
2	306320	Nut, 5/16-24 hex. ....	8
3	306325	Lockwasher, 5/16 .....	8
4	111760	Gasket, intake manifold .....	2
5	160835	Intake manifold, right .....	1
6	308180	Clamp, connector tee .....	3
7	111908	Connector tee, intake manifold .....	1
8	160397	Intake manifold, left .....	1
9	160395	Exhaust manifold, left .....	1
10	111761	Gasket, exhaust manifold .....	2





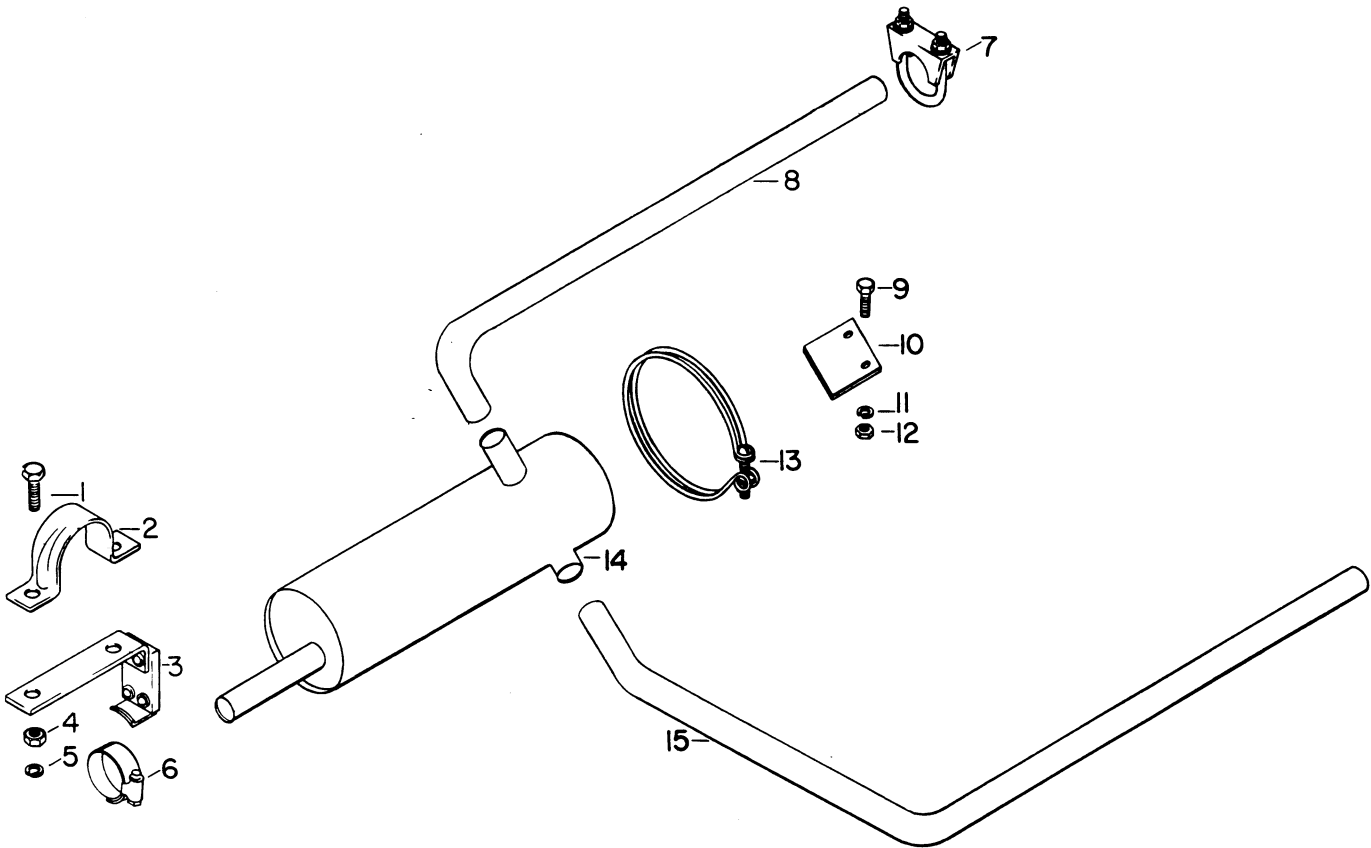
### AIR SHROUDS

Ref. No.	Part No.	Description	No. Req'd	Ref. No.	Part No.	Description	No. Req'd
1	161905	Shroud, right w/seal .....	1	20	111358	Shroud, center .....	1
2	111610	. Rivet, seal .....	2	21	306419	Screw, ¼-20 x ½ .....	3
3	111356	. Seal, right shroud .....	1	22	600014	Screw, ¼-20 x 1¼ .....	1
4	308878	. Washer, rivet .....	2	23	111359	Cover, carburetor heater (For models without heater).....	1
5	160787	Shroud, front .....	1			or	
6	800019	Screw, ¼-20 x ½ .....	6		818524	Cover, carburetor heater (For models with heater).....	1
7	306396	Lockwasher, ¼ .....	3	24	306832	Screw, ¼-20 x 2 .....	1
8	111546	Seal, throttle .....	1	25	111345	Spacer, short .....	1
9	306888	Screw, No. 10-24 x 2 .....	1	26	111344	Spacer, long .....	1
10	300154	Washer, No. 10 .....	2	27	111357	Body, carburetor heater (For models without heater) .....	1
11	111506	Bushing .....	1			or	
12	306531	Nut, No. 10-24 .....	1		818523	Body, carburetor heater (For models with heater).....	1
13	800175	Speed nut, 1/8 .....	3	28	800176	Speed nut, 10A .....	3
14	308087	Washer, No. 6 .....	1	29	111564	Screw, No. 10-½ .....	3
15	800196	Speed nut, ¼-20 .....	14			(Continued on page 16)	
16	111346	Pin .....	1				
17	160781	Shutter .....	1				
18	111350	Thermostat, air mixer .....	1				
19	306320	Nut, 5/16-24 .....	1				

INDENTED PART NAMES INDICATE THESE PARTS ARE INCLUDED IN PREVIOUS ASSEMBLY

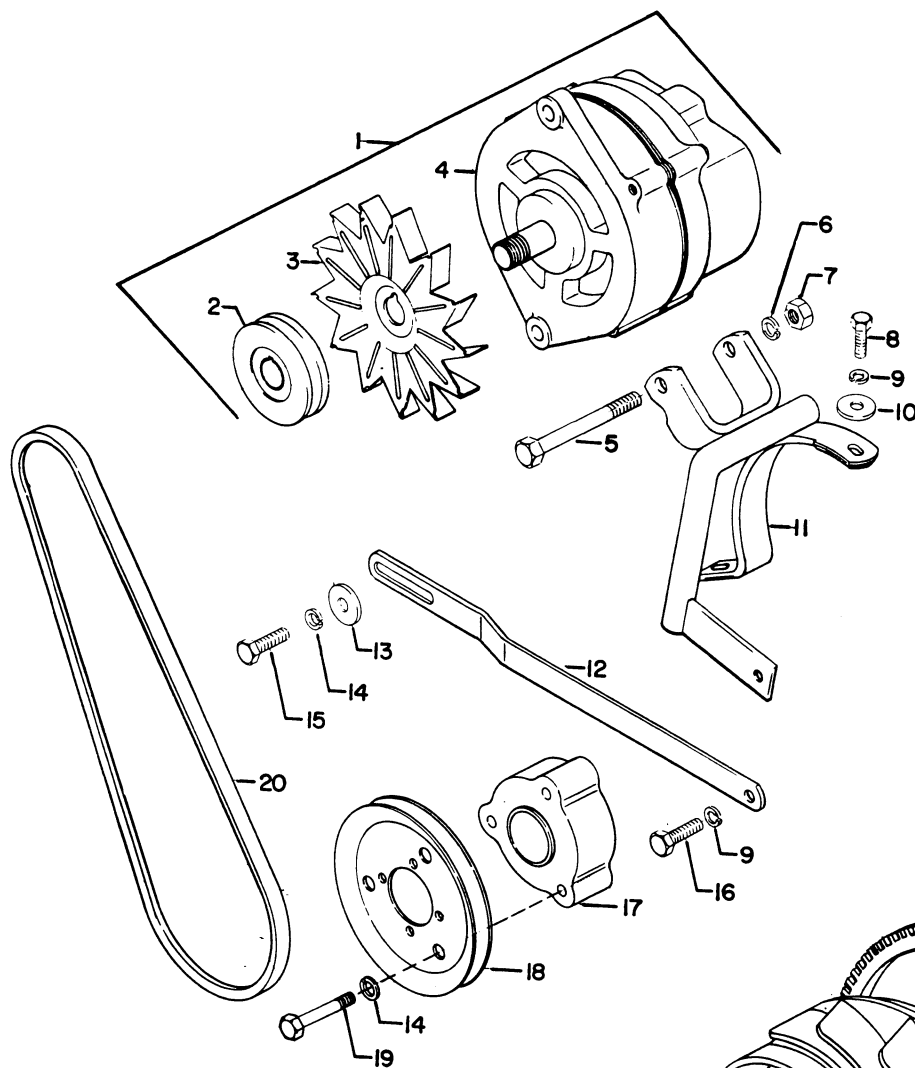
### AIR SHROUDS (Cont'd)

Ref. No.	Part No.	Description	No. Req'd	Ref. No.	Part No.	Description	No. Req'd
30	160785	Body, air mixer .....	1	38	800277	Screw, ¼-20 x 5/8 .....	10
31	160786	Shroud, left cylinder .....	1	39	111347	Seal, left manifold .....	1
32	820783	Seal, rubber .....	2	40	820816	Bracket, side seal .....	2
33	816979	Bracket, rear seal .....	1	41	820812	Baffle .....	2
34	111567	Spring .....	1	42	308090	Washer, ¼ .....	8
35	111366	Shroud, fuel pump .....	1	43	120052	Lockwasher, No. 10 .....	1
36	800149	Screw, No. 10A x 3/8 .....	2	44	111363	Shroud, rear .....	1
37	800172	Speed nut, No. 10A .....	2	45	816987	Seal, rear .....	1



### EXHAUST SYSTEM

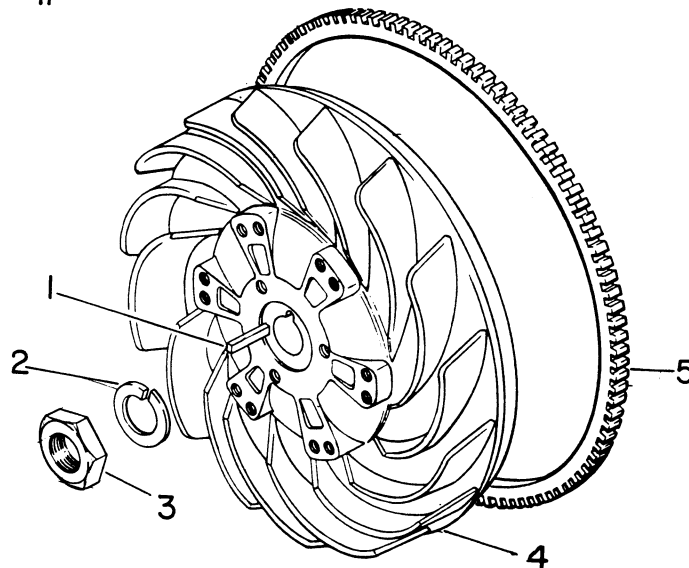
Ref. No.	Part No.	Description	No. Req'd	Ref. No.	Part No.	Description	No. Req'd
1	306409	Screw, ¼-20 .....	2	9	306487	Screw, ¼-20 x 5/8 .....	2
2	814063	Clamp .....	1	10	822979	Support, muffler .....	1
3	879337	Hanger, tail pipe .....	1	11	306396	Lockwasher .....	2
4	306396	Lockwasher .....	2	12	306375	Nut, ¼-20 hex. ....	2
5	306375	Nut, ¼-20 hex. ....	2	13	813689	Clamp, muffler .....	1
6	813689	Clamp, muffler .....	1	14	882906	Muffler assembly .....	1
7	813688	Clamp .....	4	15	822928	Tube, right exhaust .....	1
8	822926	Tube, left exhaust .....	1				



### ALTERNATOR

Ref. No.	Part No.	Description	No. Req'd
1	880598	Alternator, w/pulley and fan .....	1
2	816866	. Pulley, alternator .....	1
3	816867	. Fan, alternator .....	1
4	816868	. Alternator .....	1
5	311213	Screw, 3/8-16 x 3 hex. hd. ....	1
6	120177	Lockwasher, 3/8 .....	1
7	306562	Nut, 3/8-16 hex. ....	1
8	302288	Screw, 1/4-20 x 1 hex. hd. ....	2
9	306396	Lockwasher, 1/4 .....	3
10	308090	Washer, 1/4 plain .....	2
11	880600	Bracket, mounting .....	1
12	816873	Bracket, adjusting .....	1
13	103867	Washer, 5/16 plain .....	1
14	306325	Lockwasher, 5/16 .....	4
15	306416	Screw, 5/16-18 x 1 hex. hd. ....	1
16	306419	Screw, 1/4-20 x 1/2 hex. hd. ....	1
17	814143	Adapter, pulley .....	1
18	879371	Pulley, flywheel .....	1
19	306424	Screw, 5/16-18 x 2 hex. hd. ....	3
20	816864	V-Belt .....	1

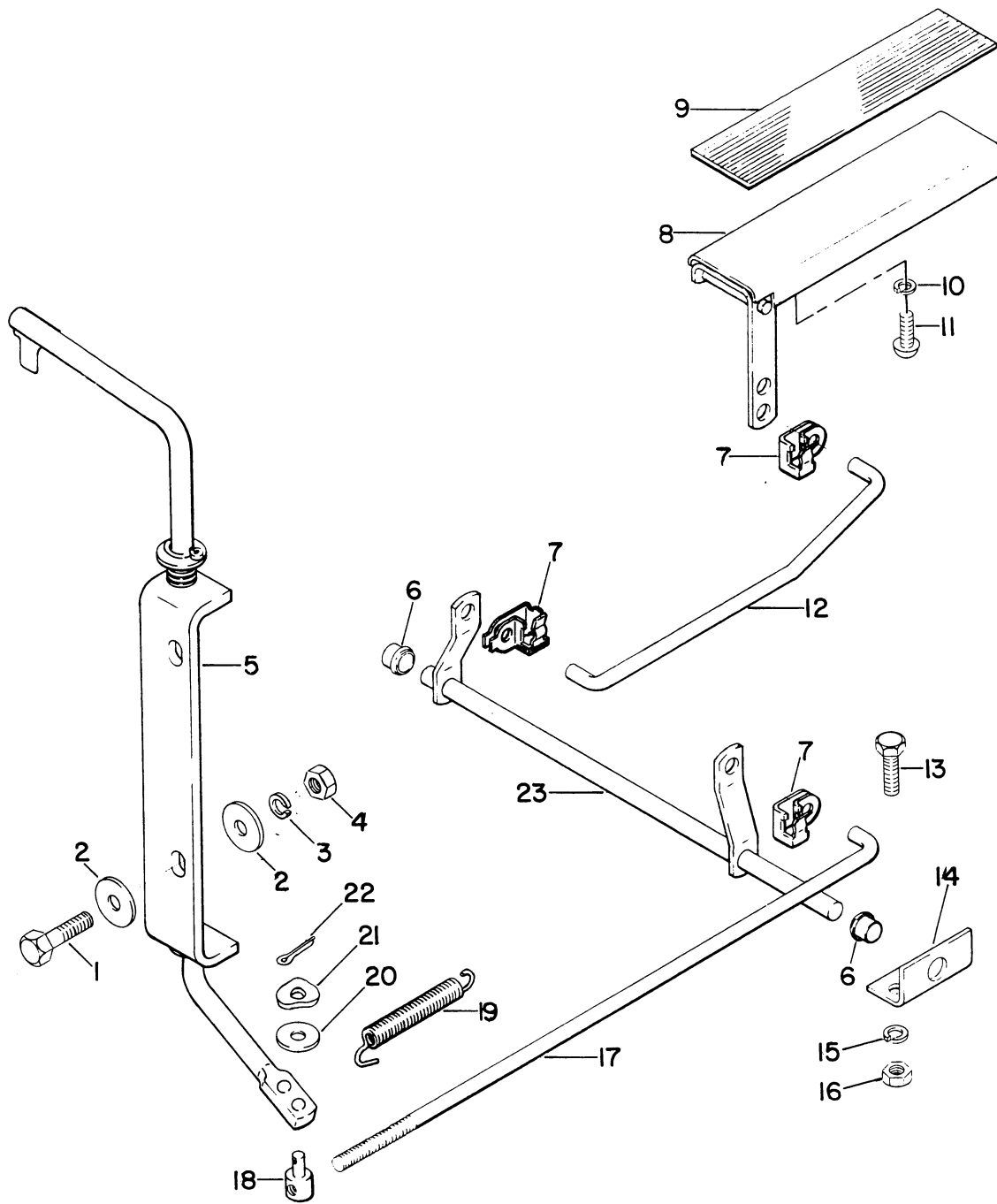
INDENTED PART NAMES INDICATE THESE PARTS ARE INCLUDED IN PREVIOUS ASSEMBLY



### FLYWHEEL

Ref. No.	Part No.	Description	No. Req'd
1	111807	Key, flywheel .....	1
2	308008	Lockwasher, 7/8 .....	1
3	305134	Nut, 7/8-14 hex. ....	1
4	580563	Flywheel, w/ring gear .....	1
5	510551	. Ring gear .....	1

INDENTED PART NAMES INDICATE THESE PARTS ARE INCLUDED IN PREVIOUS ASSEMBLY

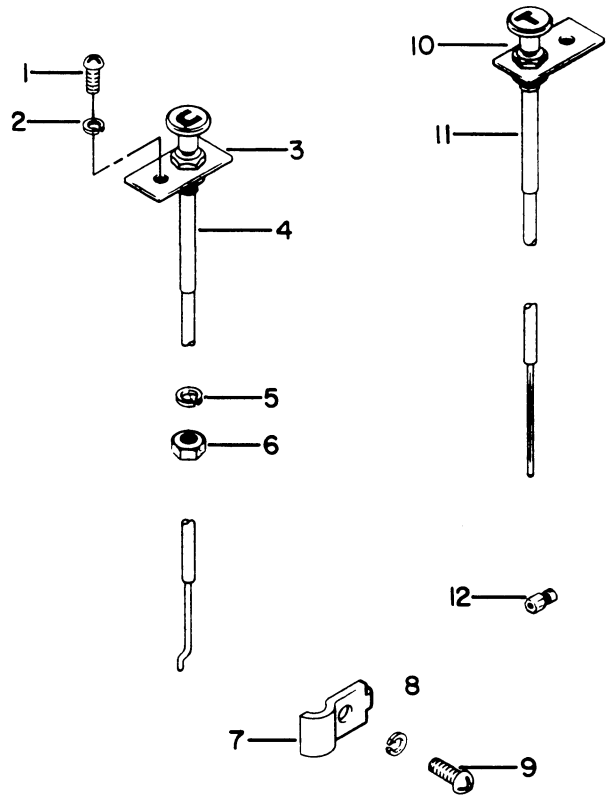


### THROTTLE

Ref. No.	Part No.	Description	No. Req'd	Ref. No.	Part No.	Description	No. Req'd
1	306416	Screw, 5/16-18 x 1 hex. hd. ....	2	13	306487	Screw, 1/4-20 x 5/8 hex. hd. ....	2
2	103867	Washer, 5/16 plain .....	4	14	820933	Bracket, throttle pivot .....	1
3	306325	Lockwasher, 5/16 .....	2	15	306396	Lockwasher, 1/4 .....	2
4	306932	Nut, 5/16-18 hex. ....	2	16	306375	Nut, 1/4-20 hex. ....	2
5	162276	Throttle arm .....	1	17	820932	Rod, throttle, rear .....	1
6	819177	Bushing .....	2	18	817117	Pin, connector .....	1
7	817303	Clip, clevis .....	3	19	817103	Spring .....	1
8	882075	Pedal, throttle .....	1	20	308090	Washer, 1/4 plain .....	1
9	813884	Mat, pedal .....	1	21	800303	Washer, wave .....	1
10	120052	Lockwasher, No. 10 .....	2	22	306328	Pin, cotter, 3/32 x 3/4 .....	1
11	800271	Screw, No. 10-24 x 1/2 P.T.H. ....	2	23	882119	Bellcrank, throttle .....	1
12	820931	Rod, throttle, front .....	1				

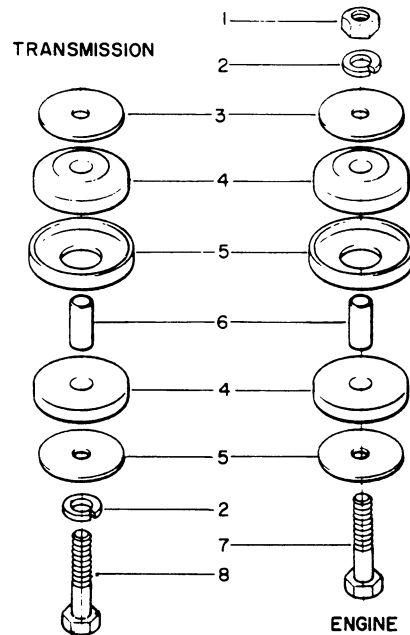
## HAND CONTROLS, CHOKE AND THROTTLE

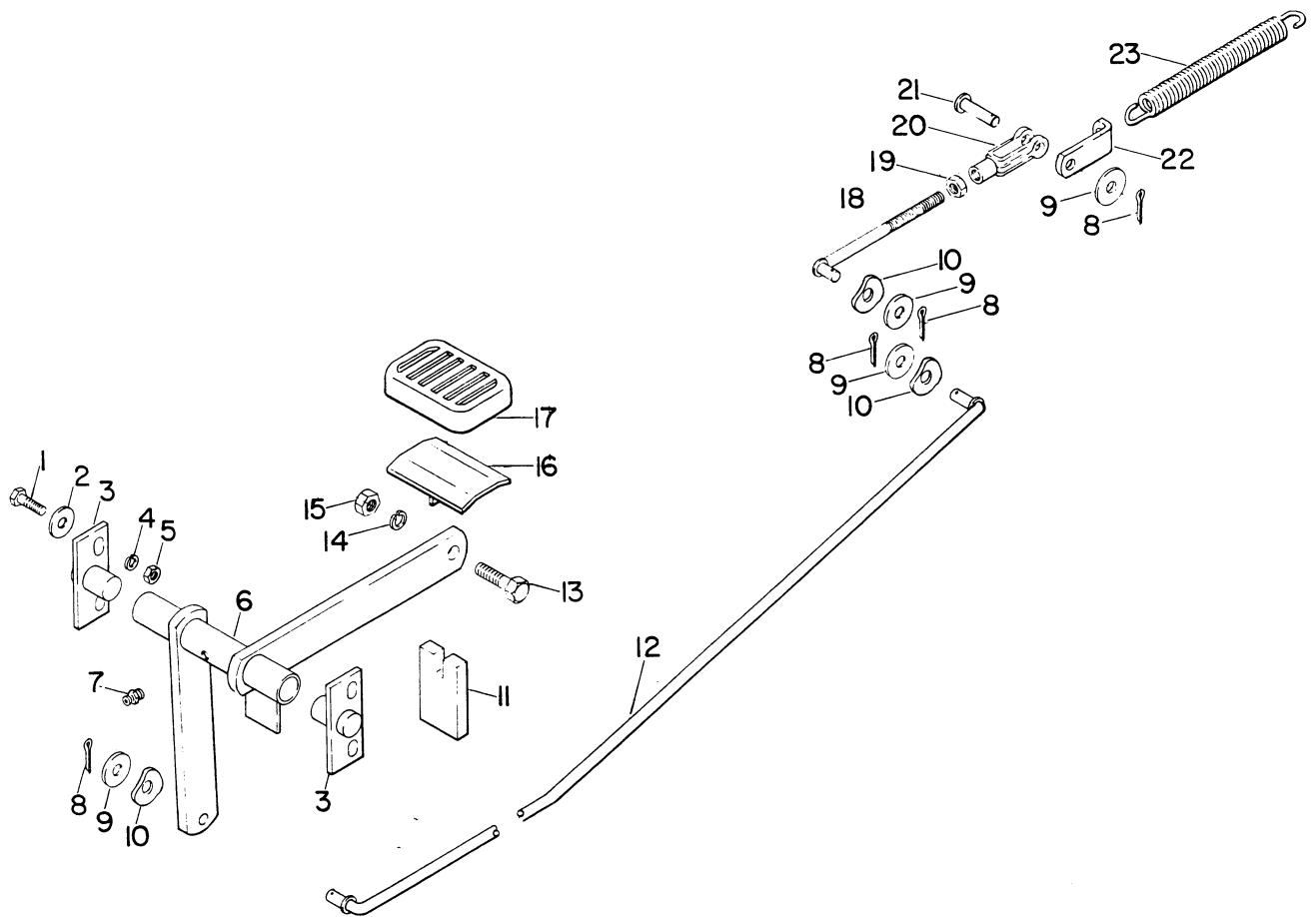
Ref. No.	Part No.	Description	No. Req'd
1	800019	Screw, ¼-20 x ½ .....	2
2	306396	Lockwasher, ¼ .....	2
3	880627	Bracket, cable .....	2
4	814065	Cable, choke .....	1
5	120177	Lockwasher, 3/8 .....	2
6	306388	Nut, 3/8-24 .....	2
7	111898	Clamp .....	2
8	120052	Lockwasher, No. 10 .....	2
9	306460	Screw, No. 10-24 x 3/8 .....	2
10	880817	Bracket (for 817425 cable) .....	1
		or	
	880627	Bracket, cable .....	2
11	817425	Cable, throttle, locking .....	1
		or	
	816625	Cable, throttle .....	1
12	817104	Stop, throttle cable .....	1



## TRANSMISSION AND ENGINE MOUNTS

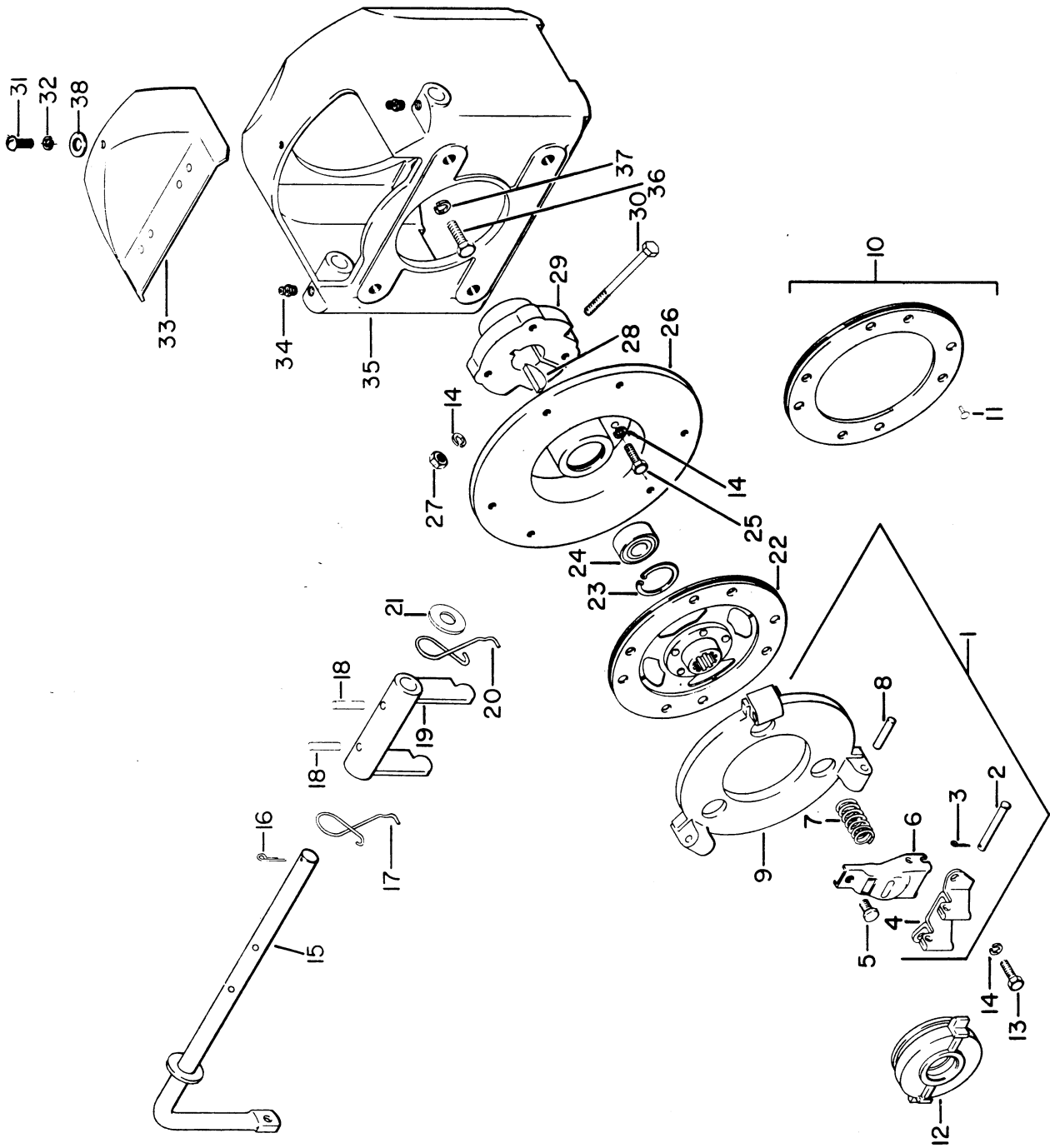
Ref. No.	Part No.	Description	No. Req'd
1	306562	Nut, 3/8-16 hex. ....	2
2	120177	Lockwasher, 3/8 .....	4
3	809174	Washer .....	8
4	806493	Mount, rubber .....	8
5	809242	Retainer, mount .....	4
6	808959	Spacer .....	4
7	311391	Screw, 3/8-16 x 4 hex. hd. ....	2
8	306836	Screw, 3/8-16 x 2¼ hex. hd. ....	2





### CLUTCH CONTROLS

Ref. No.	Part No.	Description	No. Req'd	Ref. No.	Part No.	Description	No. Req'd
1	306487	Screw, ¼-20 x 5/8 hex. hd. ....	4	13	306414	Screw, 3/8-16 x 1 hex. hd. ....	1
2	308090	Washer, ¼ plain .....	4	14	120177	Lockwasher, 3/8 .....	1
3	882064	Pin, pivot .....	2	15	306562	Nut, 3/8-16 hex. ....	1
4	306396	Lockwasher, ¼ .....	4	16	878548	Pedal .....	1
5	306375	Nut, ¼-20 hex. ....	4	17	810152	Pad, pedal .....	1
6	882062	Pivot, clutch .....	1	18	815450	Rod, clutch, rear .....	1
7	807439	Lubrication fitting .....	1	19	306320	Nut, 5/16-24 hex. ....	1
8	306328	Pin, cotter 3/32 x ¼ .....	4	20	810722	Connector .....	1
9	103867	Washer, 5/16 plain .....	4	21	814079	Pin, connector .....	1
10	800254	Wave washer .....	3	22	808638	Bracket, spring .....	1
11	820964	Seal .....	2	23	805376	Spring .....	1
12	820928	Rod, clutch front .....	1				



**CLUTCH**  
(List on page 22)

## CLUTCH

(Illustrated on page 21)

Ref. No.	Part No.	Description	No. Req'd	Ref. No.	Part No.	Description	No. Req'd
1	812907	Pressure plate .....	1	20	812903	Spring .....	1
2	812914	Pin .....	3	21	809156	Washer .....	1
3	306372	Cotter pin, 3/32 x 1/2 .....	3	22	812906	Disc, driven .....	1
4	812913	Bracket .....	3	23	809260	Retaining ring .....	1
5	812917	Screw .....	3	24	812899	Bearing, pilot .....	1
6	812916	Lever .....	3	25	306416	Screw, 5/16-18 x 1 .....	3
7	879552	Spring set, incl. three .....	1	26	812898	Plate .....	1
8	812912	Pin .....	3	27	306932	Nut, 5/16-18 .....	1
9	812911	Pressure plate .....	1	28	307662	Key, No. 15 woodruff .....	1
10	878856	Lining set .....	1	29	812896	Adapter .....	1
11	800222	Rivet .....	8	30	131590	Screw, 5/16-18 x 3 .....	1
12	812908	Throwout bearing .....	1	31	306460	Screw, No. 10-24 x 3/8 .....	1
13	306555	Screw, 5/16-18 x 5/8 .....	6	32	120052	Lockwasher, No. 10 .....	1
14	306325	Lockwasher, 5/16 .....	10	33	878869	Cover, clutch .....	1
15	878855	Lever, throwout .....	1	34	807442	Lubrication fitting, 90° .....	2
16	120219	Cotter pin, 3/32 x 1 .....	1	35	812897	Housing .....	1
17	812902	Spring .....	1	36	130538	Screw, 7/16-14 x 1 1/4 .....	4
18	306971	Roll pin, 3/16 x 1 1/8 .....	2	37	303269	Lockwasher, 7/16 .....	4
19	878854	Yoke release .....	1	38	308089	Washer, No. 10 .....	1

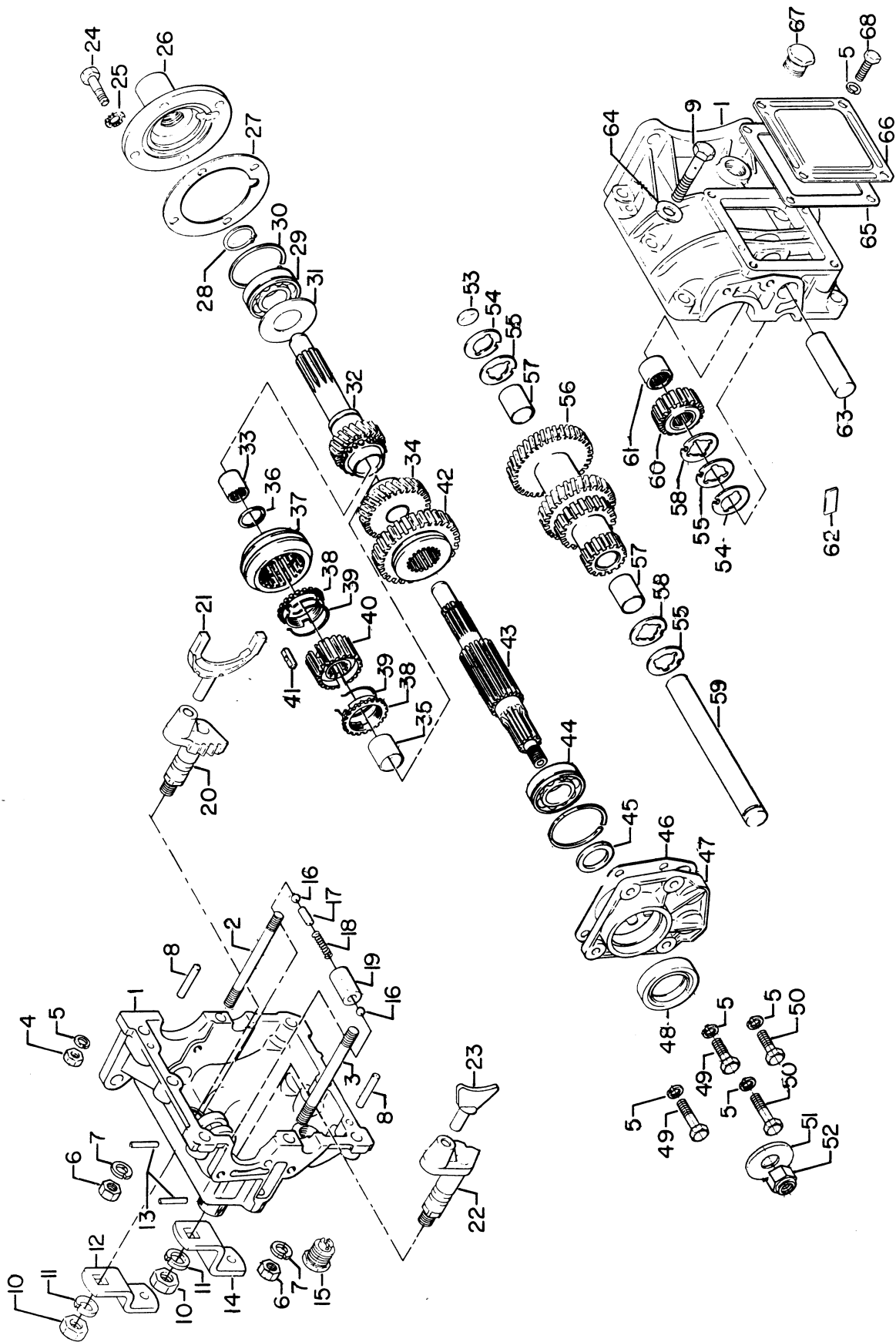
## TRANSMISSION

(Illustrated on page 23)

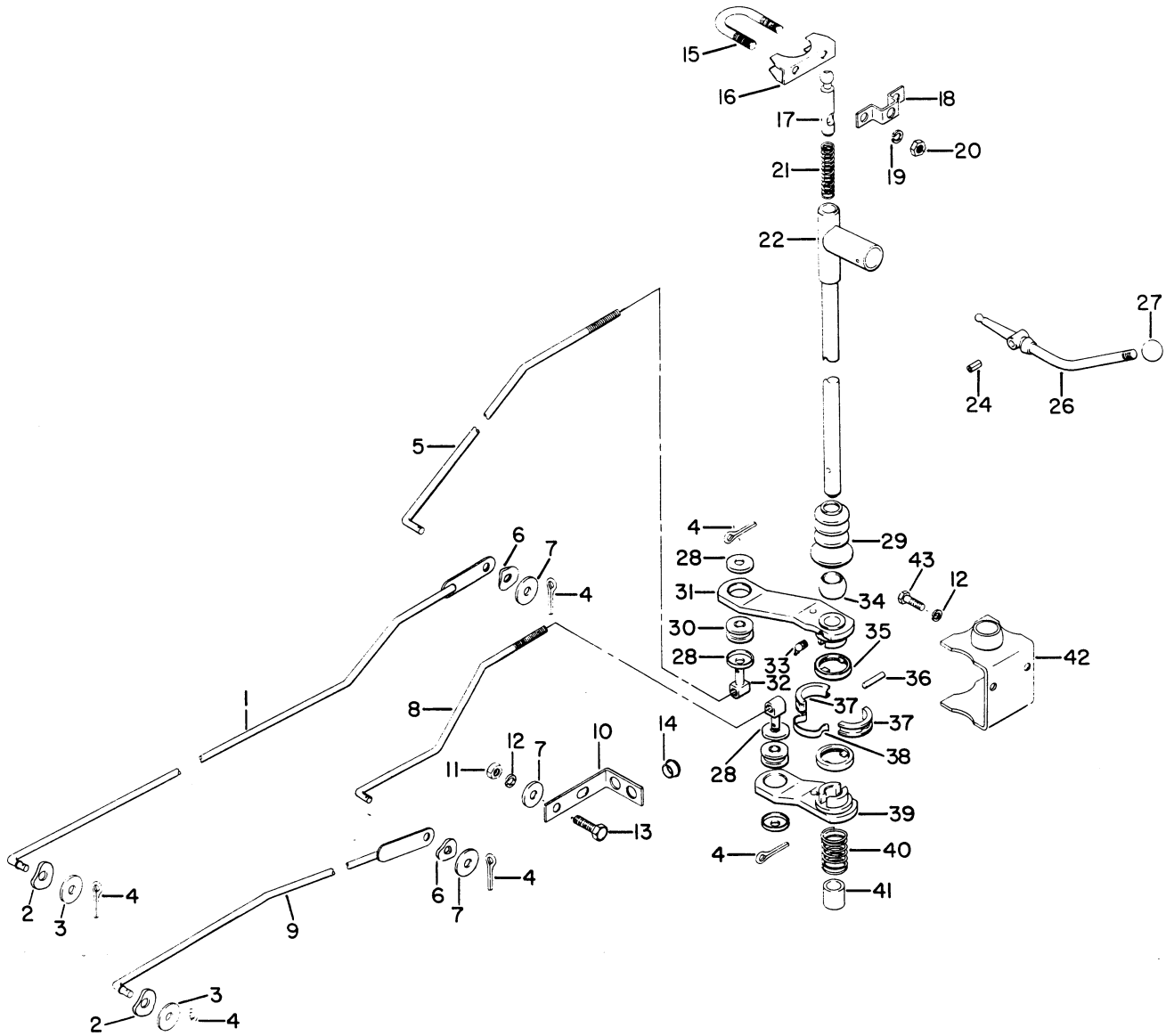
Ref. No.	Part No.	Description	No. Req'd	Ref. No.	Part No.	Description	No. Req'd
	880572	Transmission, less P.T.O. ....	1	30	814628	Retaining ring .....	1
1	879798	Case, transmission .....	1	31	809211	Slinger .....	1
2	815134	Stud, front, 5/16 .....	1	32	879804	Gear, main drive, w/bearing .....	1
3	815133	Stud, rear, 3/8 .....	1	33	815171	Bearing, main drive .....	1
4	306932	Nut, 5/16-18 .....	1	34	879803	Gear, second, w/bushing .....	1
5	306325	Lockwasher, 5/16 .....	9	35	815163	Bushing, second gear .....	1
6	306562	Nut, 3/8-16 .....	7	36	815169	Ring, retaining, clutch hub .....	1
7	120177	Lockwasher, 3/8 .....	7	37	815166	Sleeve, second/high clutch .....	1
8	305070	Pin, taper .....	2	38	815164	Ring, synchronizer .....	2
9	131794	Screw, 3/8-16 x 2 .....	6	39	815168	Spring, synchronizer .....	2
10	301988	Nut, 1/2-20 .....	2	40	815165	Hub, second/high clutch .....	1
11	120166	Lockwasher, 1/2 .....	2	41	815167	Plate, shifting .....	3
12	815146	Shifter arm, second/high .....	1	42	815161	Gear, low/reverse .....	1
13	603102	Pin, spiral .....	2	43	815159	Main shaft .....	1
14	815145	Shifter arm, low/reverse .....	1	44	815160	Ball bearing, w/ring .....	1
15	111074	Plug, drain, magnetic .....	1	45	815180	Spacer .....	1
16	800131	Ball, 5/16 .....	2	46	815175	Gasket, retainer .....	1
17	815137	Pin, interlock .....	1	47	815176	Retainer, bearing .....	1
18	815138	Spring, interlock .....	1	48	815177	Oil seal, main shaft .....	1
19	815139	Sleeve, 1.259" long .....	1	49	306416	Screw, 5/16-18 x 1 .....	2
		or		50	306435	Screw, 5/16-18 x 1 1/4 .....	2
	815140	Sleeve, 1.255" long, "A" .....	1	51	809180	Washer, 1/2 .....	1
		or		52	800198	Nut, 1/2-20 .....	1
	815141	Sleeve, 1.251" long, "B" .....	1	53	823544	Plug, expansion .....	1
		or		54	815150	Washer, thrust, .024 thick .....	*
	815142	Sleeve, 1.247" long, "C" .....	1	55	815154	Washer, thrust, .036 thick .....	*
		or		56	879802	Gear, cluster, w/bushings .....	1
	815143	Sleeve, 1.243" long, "D" .....	1	57	815153	Bushing, cluster gear .....	2
	822238	Sleeve, 1.263 .....	1	58	816503	Washer, thrust, .048 thick .....	*
	822239	Sleeve, 1.267 .....	1	59	815155	Countershaft .....	1
20	879800	Shifter lever, second/high .....	1	60	879801	Gear, idler, w/bearing .....	1
21	815158	Shifter fork, second/high .....	1	61	815149	Bearing, idler .....	1
22	879799	Shifter lever, low/reverse .....	1	62	815156	Lock plate .....	1
23	815157	Shifter fork, low/reverse .....	1	63	815151	Shaft, reverse idler .....	1
24	306322	Screw, 5/16-18 x 7/8 .....	4	64	306981	Washer, 3/8 .....	6
25	815755	Lockwasher, 5/16 .....	4	65	815178	Gasket, P.T.O. side plate .....	1
26	815174	Retainer, bearing .....	1	66	815179	Cover, side plate, P.T.O. .....	1
27	815173	Gasket, retainer .....	1	67	111071	Plug, filler .....	1
28	809254	Retaining ring .....	1	68	306450	Screw, 5/16-18 x 3/4 .....	4
29	814627	Ball bearing, w/ring .....	1				

\*As required



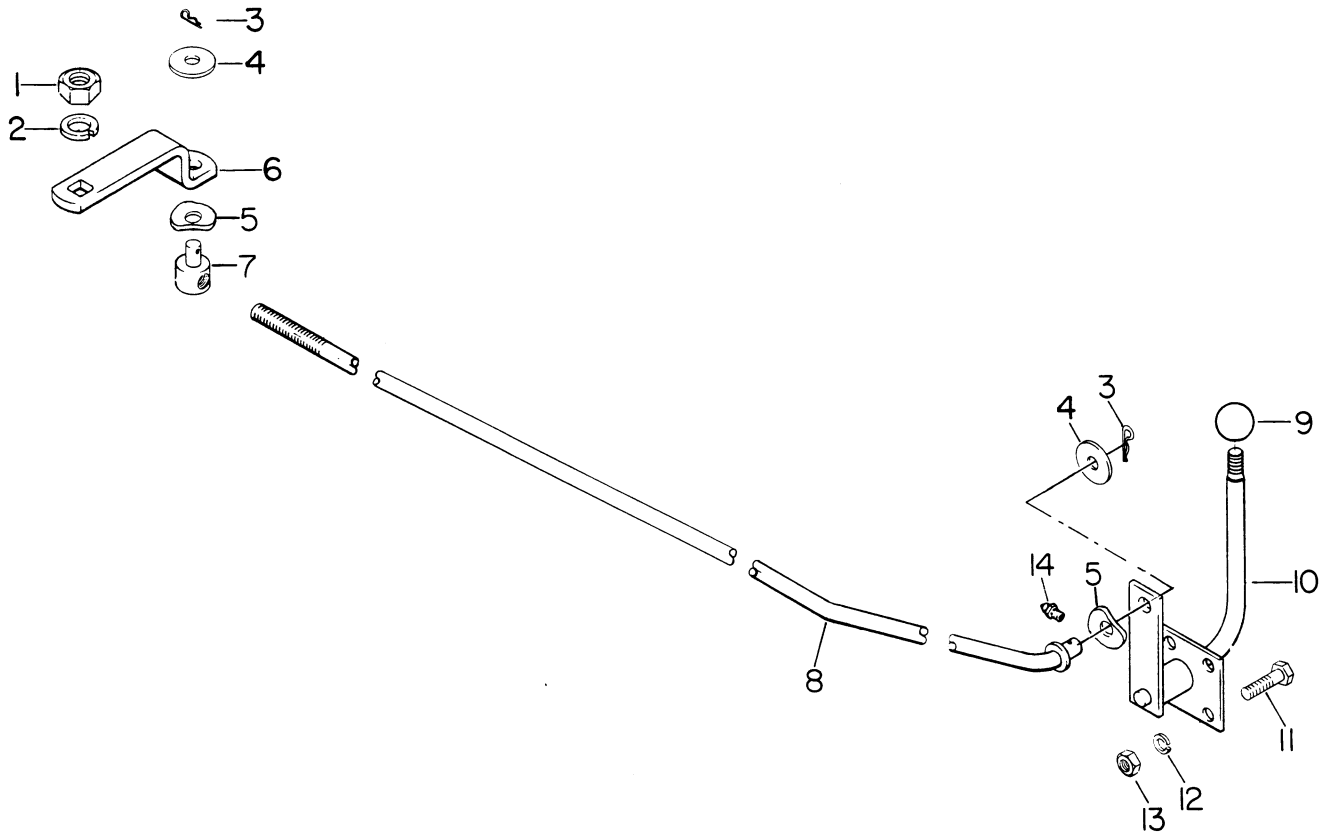


**TRANSMISSION**  
(List on page 22)



### SHIFTER LINKAGE

Ref. No.	Part No.	Description	No. Req'd	Ref. No.	Part No.	Description	No. Req'd
1	882118	Rod, low and reverse, rear .....	1	21	813003	Spring, shaft .....	1
2	800254	Wave washer, 3/8 .....	2	22	882127	Shaft, gear shift .....	1
3	103867	Washer, 5/16 .....	2	24	306971	Pin, shift lever .....	1
4	306328	Cotter pin, 3/32 x 3/4 .....	6	26	824017	Lever, shifter .....	1
5	820927	Rod, low and reverse, front .....	1	27	812997	Knob .....	1
6	800303	Wave washer, 1/4 .....	2	28	814502	Washer, rod .....	4
7	308090	Washer, 1/4 .....	3	29	811928	Boot .....	1
8	820926	Rod, high and second, front .....	1	30	813007	Bushing, lever .....	2
9	882117	Rod, high and second, rear .....	1	31	880337	Lever, low and reverse .....	1
10	820788	Guide, shifter rod .....	1	32	817117	Pin, shifter .....	2
11	306375	Nut, 1/4-20 hex. ....	2	33	112279	Lubrication fitting, 1/4-28 .....	1
12	306396	Lockwasher, 1/4 .....	2	34	813005	Spacer, shaft .....	1
13	306487	Screw, 1/4-20 x 5/8 hex. hd. ....	2	35	813008	Seal, dust .....	2
14	819177	Bushing, 3/8 .....	2	36	813004	Pin, selector .....	1
15	819393	"U" Bolt .....	1	37	813009	Spacer, seal .....	2
16	819606	Saddle .....	1	38	813010	Retainer, spacer .....	1
17	820965	Support, shaft .....	1	39	878875	Lever, second and high .....	1
18	820969	Bracket, support .....	1	40	813011	Spring, shaft .....	1
19	306325	Lockwasher, 5/16 .....	2	41	816800	Bushing .....	1
20	800290	Nut, 5/16-18 center lock .....	2	42	880921	Bracket, gear shift .....	1



**SHIFTER LINKAGE  
(AUXILIARY TRANSMISSION)**

Ref. No.	Part No.	Description	No. Req'd	Ref. No.	Part No.	Description	No. Req'd
1	130541	Nut, 1/2" .....	1	8	823040	Rod, shifter .....	1
2	120168	Lockwasher, 1/2" .....	1	9	812997	Knob .....	1
3	821164	Hair pin .....	2	10	880804	Lever .....	1
4	306981	Washer, 3/8 .....	2	11	306487	Screw, 1/4 .....	2
5	800254	Washer, wave 3/8" .....	2	12	306396	Lockwasher, 1/4 .....	2
6	817375	Arm, shifter .....	1	13	306375	Nut, 1/4 .....	2
7	817387	Pin, connector .....	1	14	807439	Lubrication fitting .....	1

**AUXILIARY TRANSMISSION  
(Illustrated on page 26)**

Ref. No.	Part No.	Description	No. Req'd	Ref. No.	Part No.	Description	No. Req'd
1	880145	Dipstick .....	1	17	806711	Dowell pin, cover .....	2
2	812000	Gasket, pinion flange .....	1	18	812001	Gasket, cover .....	1
3	805893	Plug, expansion .....	2	19	807624	"O" ring, shaft .....	1
4	816207	Gasket, retaining screw .....	4	20	812011	Retaining ring .....	1
5	131794	Screw, 3/8-16 x 2 .....	4	21	880143	Arm, shifter .....	1
6	111071	Drain plug .....	1	22	812010	Fork, shifter .....	1
7	807366	Button, positioning .....	1	23	811992	Shim, cluster gear .....	2
8	805407	Spring, positioning .....	1	24	812004	Bushing, cluster .....	2
9	304632	Nut, 3/8-16 .....	1	25	878805	Gear, cluster w/bushings (No. 24) ...	1
10	800095	Set screw, 3/8-16 x 5/8 .....	1	26	811997	Jack shaft .....	1
11	811994	Case .....	1	27	307785	Roll pin, 5/32 x 1 1/4 .....	1
12	300646	Screw, 1/4-20 x 3/4 .....	6	28	815697	Shim, main shaft, .005 .....	*
13	306396	Lockwasher, 1/4 .....	6			or	
14	815706	Cover .....	1		815698	Shim, main shaft, .010 .....	*
15	306967	Roll pin, 1/8 x 1 1/8 .....	1			or	
16	807441	Cover, oil hole .....	1		815699	Shim, main shaft, .030 .....	*

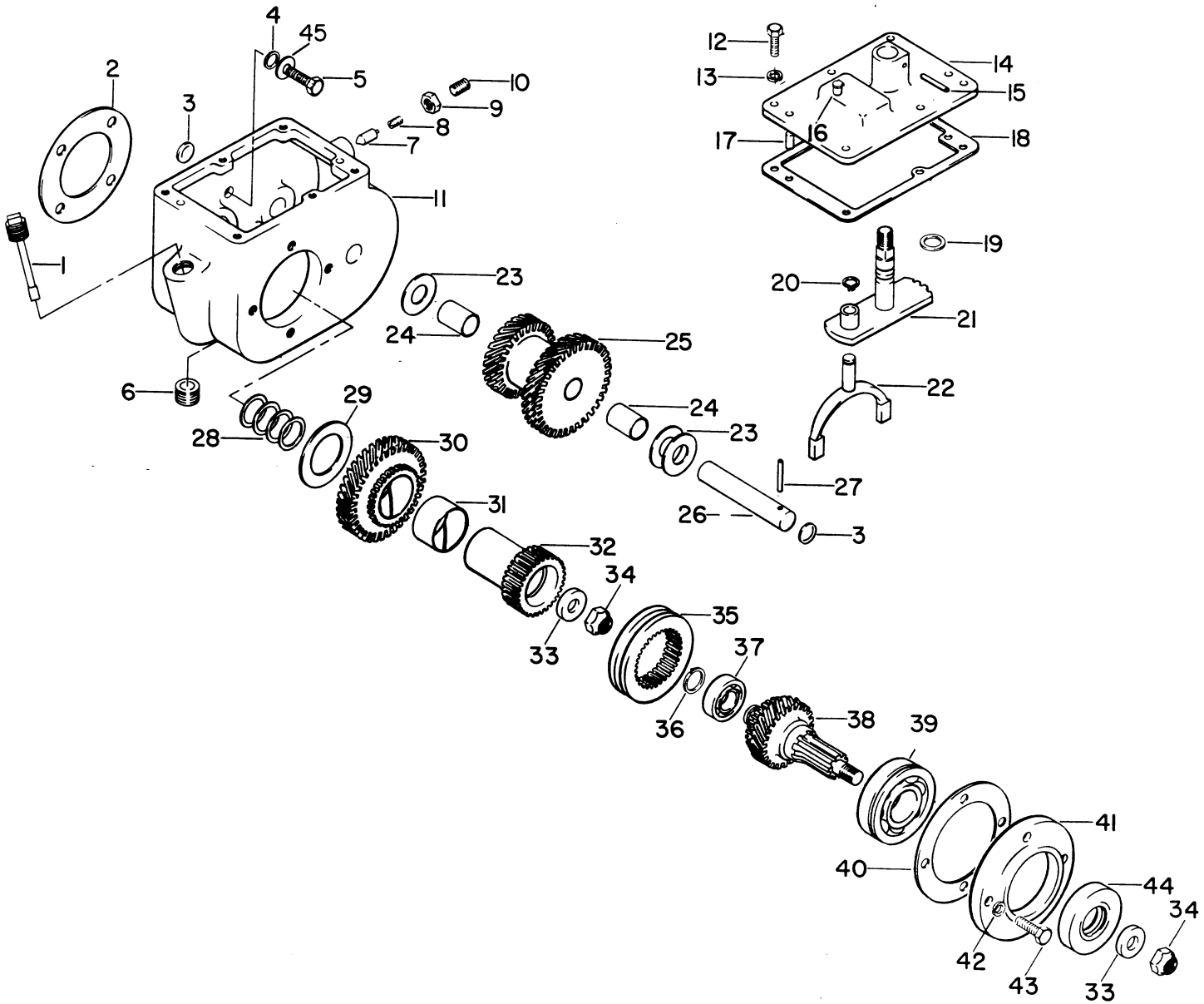
(Continued on page 26)

\*As required

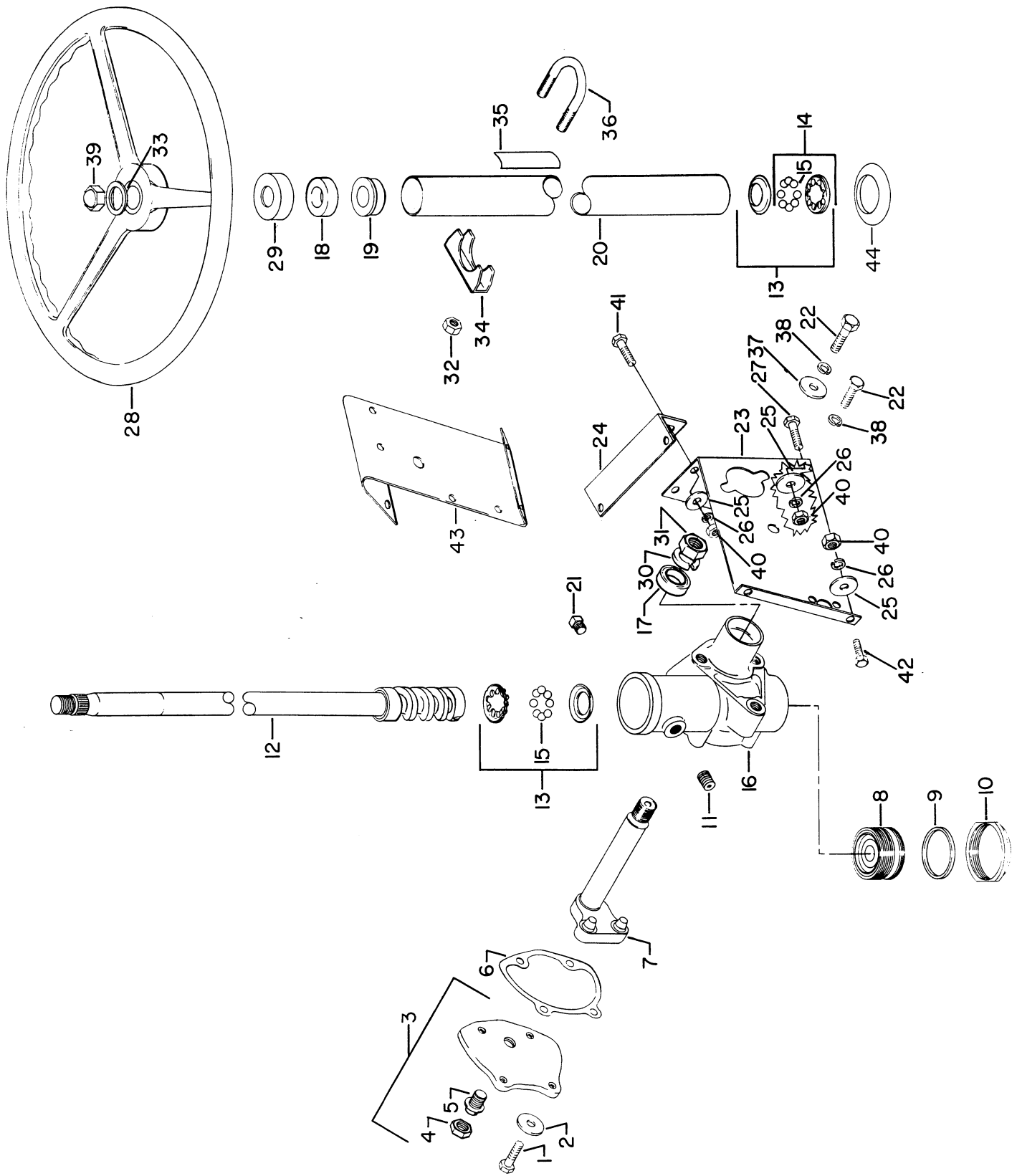
# AUXILIARY TRANSMISSION

(Continued from page 25)

Ref. No.	Part No.	Description	No. Req'd	Ref. No.	Part No.	Description	No. Req'd
29	811993	Bearing washer .....	1	37	812009	Bearing, drive gear pilot .....	1
30	878806	Gear, driven w/bushing (No. 26) .....	1	38	812007	Gear, drive .....	1
31	812006	Bushing, driven gear .....	1	39	812008	Bearing, gear w/ring .....	1
32	811998	Shaft, main .....	1	40	811999	Gasket, retainer .....	1
33	809180	Spacer, drive gear .....	1	41	811995	Retainer, bearing .....	1
34	800198	Nut, 1/2-20 .....	2	42	306325	Lockwasher, 5/16 .....	4
35	811996	Collar, shifter .....	1	43	306416	Screw, 5/16-18 x 1 .....	4
36	809252	Retaining ring, bearing .....	1	44	812335	Seal, bearing .....	1
				45	306405	Washer 3/8" .....	4



# AUXILIARY TRANSMISSION



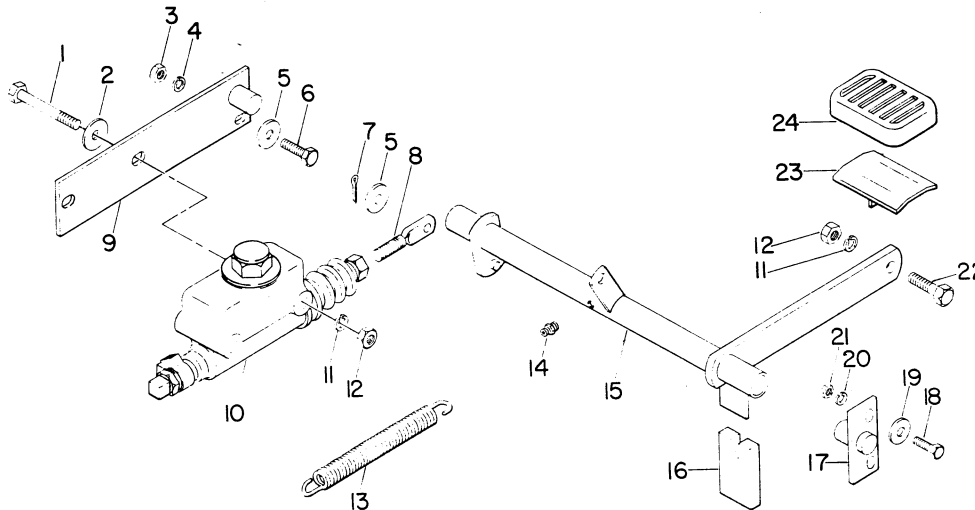
**STEERING GEAR**

(List on page 28)

**STEERING GEAR**  
(Illustrated on page 27)

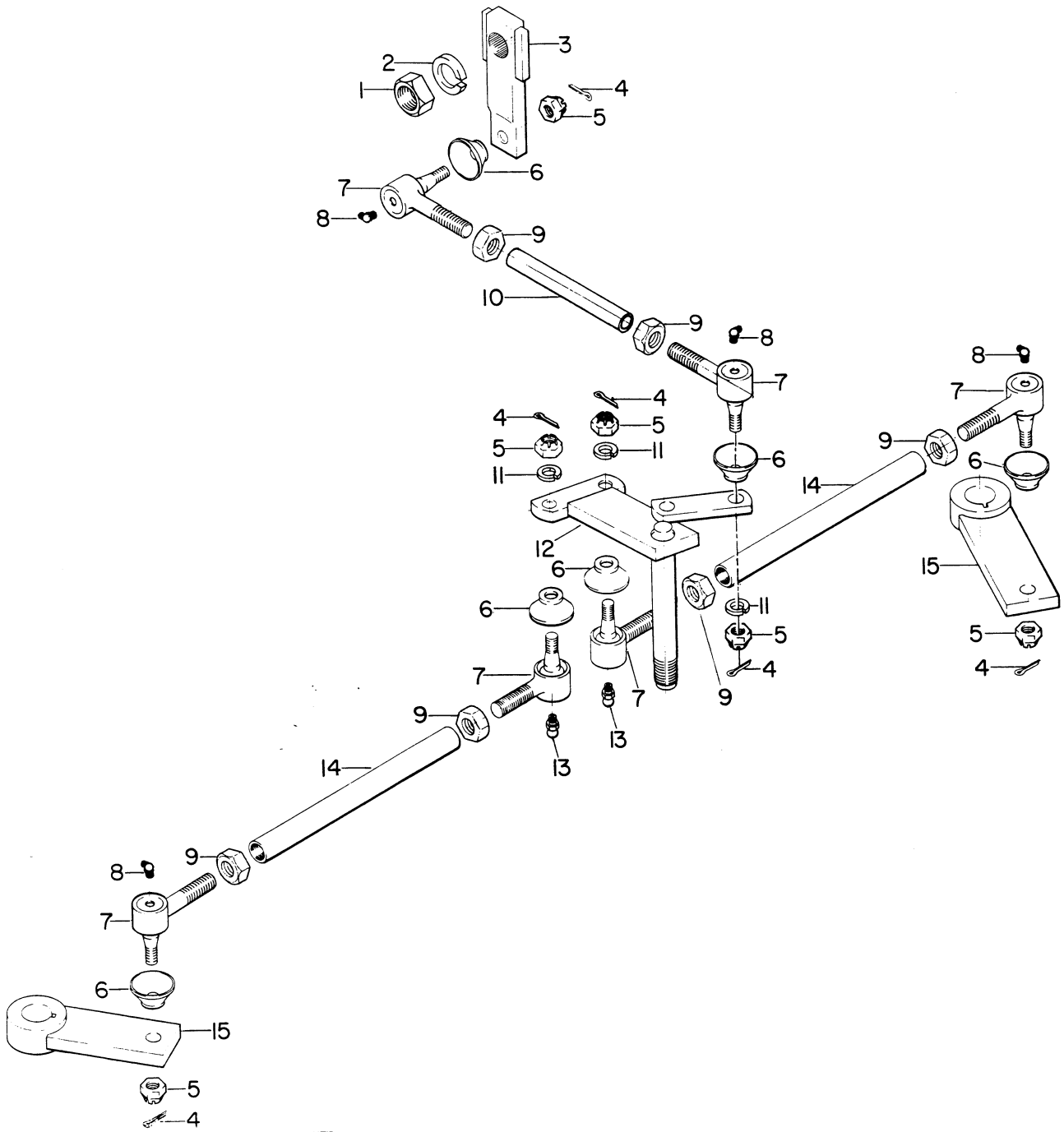
Ref. No.	Part No.	Description	No. Req'd	Ref. No.	Part No.	Description	No. Req'd
	820007	Steering gear, complete (less steering wheel, linkage and mounting hardware).....	1	21	800118	Plug, 1/4 sq. hd. ....	1
1	306322	Screw, 5/16-18 x 7/8 .....	4	22	306838	Screw, 7/16-14 x 1 .....	3
2	306371	Washer, 5/16 .....	4	23	820798	Bracket, steering gear.....	1
3	818447	Cover (includes screw and nut) .....	1	24	820995	Bracket, steering column .....	1
4	130541	Nut, 1/2-20 hex. jam. ....	1	25	103867	Washer, 5/16 .....	6
5	818450	Screw, adjusting .....	1	26	306325	Lockwasher, 5/16 .....	6
6	819930	Gasket, side cover .....	1	27	306416	Screw, 5/16-18 x 1 .....	2
7	818446	Lever shaft (includes nut and lockwasher) .....	1	28	807605	Wheel, steering .....	1
8	819926	Plug, adjusting .....	1	29	810666	Cup .....	1
9	819927	Seal .....	1	30	306494	Lockwasher, 5/8 .....	1
10	819928	Nut, retainer .....	1	31	130084	Nut, 5/8-18 .....	1
11	800267	Plug, 1/4-18 .....	1	32	800290	Nut, 5/16-18 .....	4
12	820189	Shaft .....	1	33	820156	Washer .....	1
13	818902	Bearing set (includes upper and lower bearings) .....	1	34	819606	Saddle, column .....	2
14	816886	Bearing .....	2	35	820207	Reinforcement .....	2
15	800131	Ball, 5/16 .....	16	36	819393	"U" bolt, support .....	2
16	819929	Housing, w/seal .....	1	37	306982	Washer, 7/16 plain .....	3
17	812380	Seal .....	1	38	303269	Lockwasher, 7/16 .....	3
18	819923	Collar, foam .....	1	39	800205	Nut, 5/8-18 acorn .....	1
19	819924	Bearing, plastic .....	1	40	306932	Nut, 5/16-18 .....	6
20	820188	Jacket tube .....	1	41	306450	Screw, 5/16-18 x 3/4 .....	2
				42	800030	Screw, 5/16-18 x 12 .....	2
				43	820994	Support .....	1
				44	821606	Grommet .....	1

INDENTED PART NAMES INDICATE THESE PARTS ARE INCLUDED IN PREVIOUS ASSEMBLY



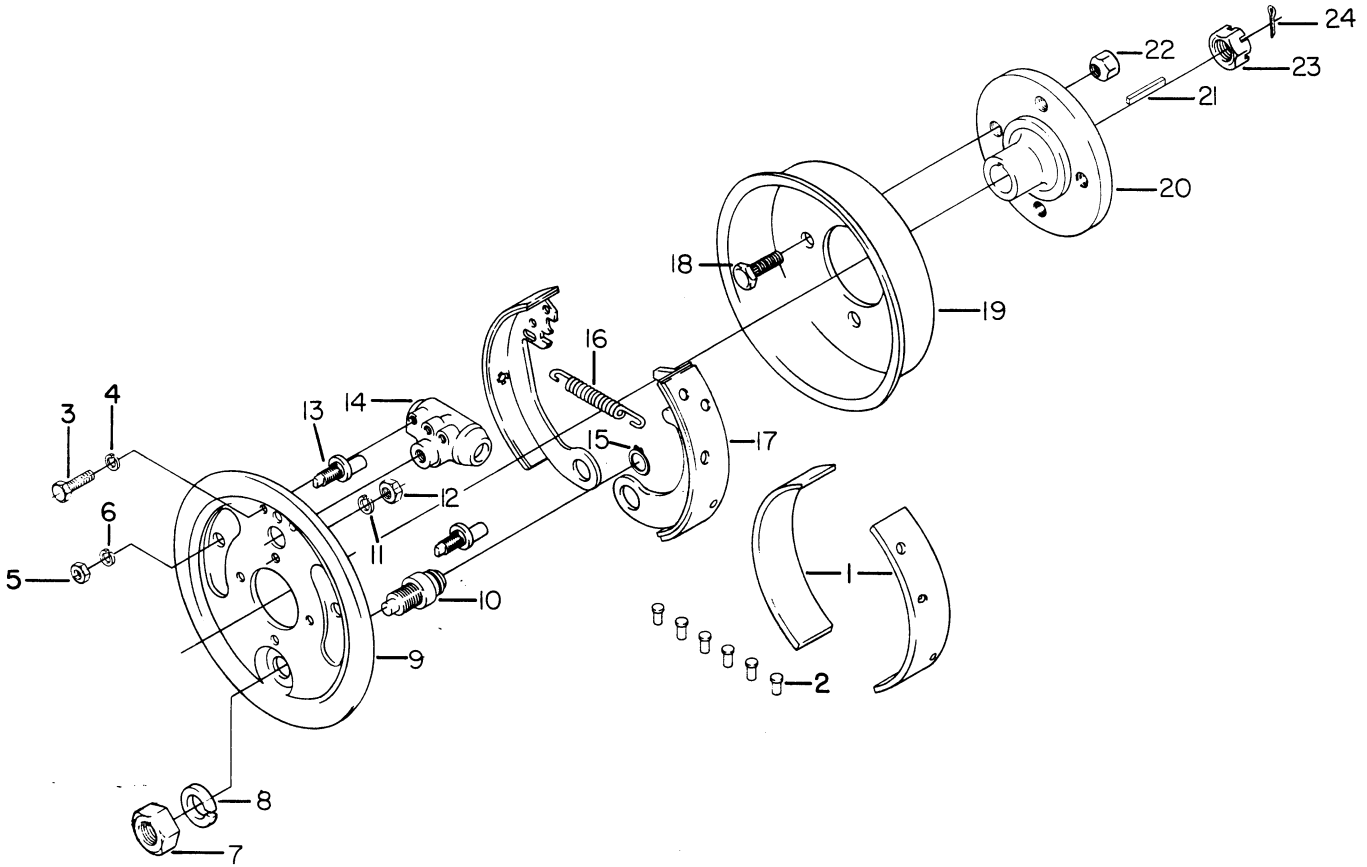
**BRAKE CONTROLS**

Ref. No.	Part No.	Description	No. Req'd	Ref. No.	Part No.	Description	No. Req'd
1	306837	Screw, 3/8-16 x 3 1/4 .....	2	14	807439	Lubrication fitting .....	1
2	306981	Washer, 3/8 .....	1	15	882061	Pivot, brake .....	1
3	306932	Nut, 5/16-18 .....	1	16	820964	Seal .....	2
4	306325	Lockwasher, 5/16 .....	1	17	882064	Pin, brake pivot .....	1
5	103867	Washer, 5/16 .....	2	18	306487	Screw, 1/4-20 x 5/8 .....	2
6	306450	Screw, 5/16-18 x 3/4 .....	1	19	308090	Washer, 1/4 .....	2
7	306328	Pin, cotter, 3/32 x 3/4 .....	1	20	306396	Lockwasher, 1/4 .....	2
8	812364	Rod, brake .....	1	21	306375	Nut, 1/4-20 .....	2
9	882063	Bracket, master cylinder .....	1	22	306414	Screw, 3/8-16 x 1 .....	1
10	807344	Master cylinder (1) .....	1	23	878548	Pedal .....	1
11	120177	Lockwasher, 3/8 .....	3	24	810152	Pad, pedal .....	1
12	306562	Nut, 3/8-16 .....	3		(1)	Refer to master cylinder break-down for replacement parts.	
13	823089	Spring .....	1				



### STEERING LINKAGE

Ref. No.	Part No.	Description	No. Req'd	Ref. No.	Part No.	Description	No. Req'd
1	130084	Nut, 5/8-18 hex. ....	1	9	302944	Nut, 9/16-18 hex. jam. ....	6
2	306494	Lockwasher, 5/8 ....	1	10	819799	Drag link ....	1
3	882194	Arm, steering ....	1	11	303269	Lockwasher, 7/16 ....	3
4	306328	Pin, cotter, 3/32 x 3/4 ....	6	12	882074	Bellcrank, steering ....	1
5	306825	Nut, 7/16-20 hex. castle ....	6	13	807439	Fitting, lubrication, straight ....	2
6	816586	Retainer, grease ....	6	14	822472	Tie rod ....	2
7	816462	End, tie rod ....	6	15	881142	Arm, steering ....	2
8	807442	Fitting, lubrication, 90° ....	3				

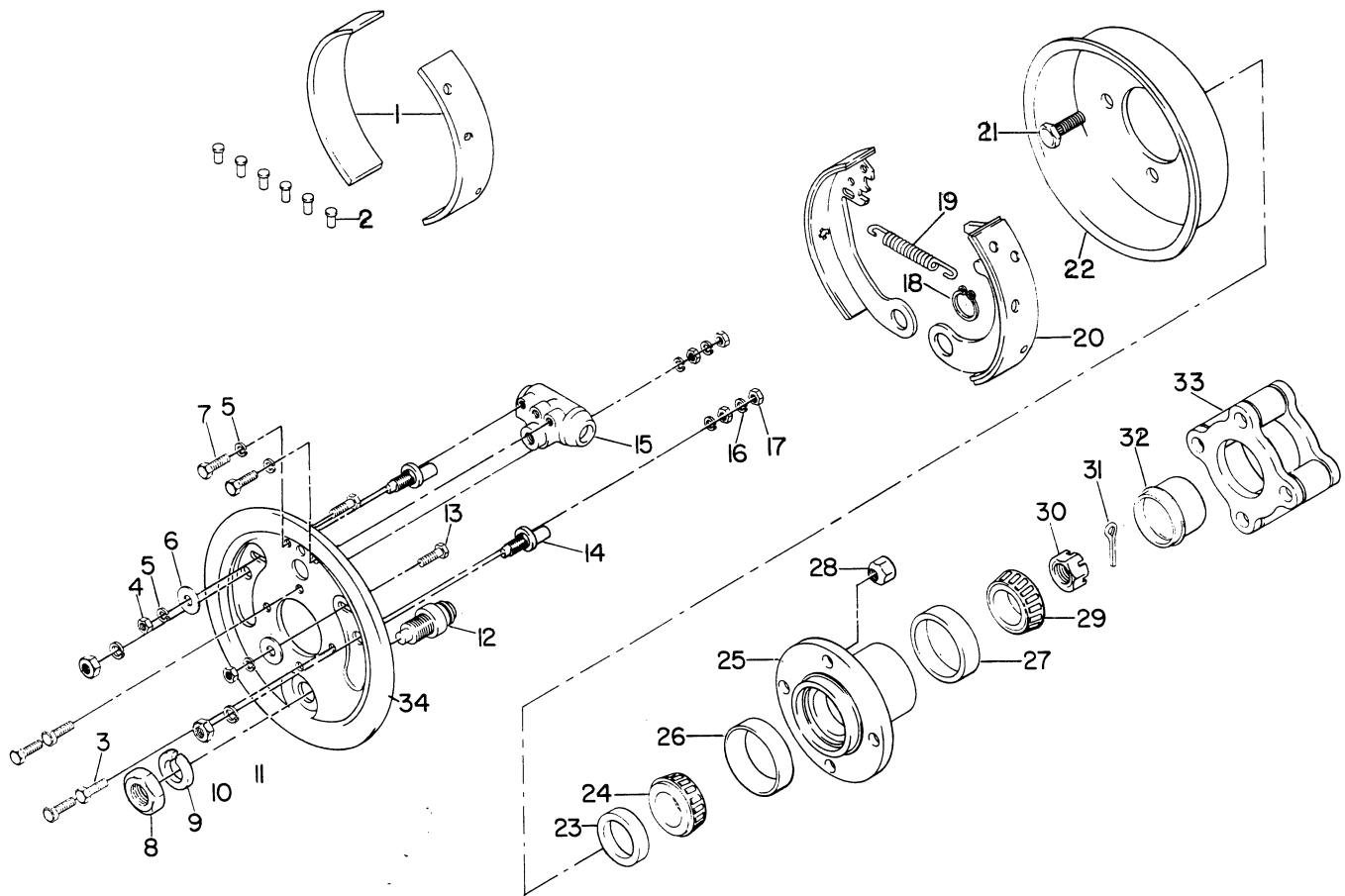


### REAR HUB AND BRAKE

Ref. No.	Part No.	Description	No. Req'd	Ref. No.	Part No.	Description	No. Req'd
1	878159	Lining set w/rivets .....	1	13	806761	Pin, adjustment .....	2
2	800318	Rivet, brass tubular .....	12	14	807343	Wheel cylinder .....	1
3	306419	Screw, ¼-20 x ½ .....	2	15	809252	Retaining ring .....	1
4	306396	Lockwasher, ¼ .....	2	16	805441	Spring brake shoe .....	1
5	306319	Nut, 3/8-24 .....	2	17	876324	Brake Shoe w/lining .....	2
6	306353	Lockwasher, 3/8 .....	2	18	815838	Screw .....	4
7	130084	Nut, 5/8-18 .....	1	19	805030	Drum, brake .....	1
8	306494	Lockwasher, 5/8 .....	1	20	821434	Hub .....	1
9	883027	Shield, brake dust .....	1				
	and				882272	Hub—speedometer modification	
	883034	Shield—speedometer modification		21	805875	Key hub .....	1
10	806758	Heal Pin .....	1	22	805860	Nut, wheel mounting .....	4
11	306325	Lockwasher, 5/16 .....	4	23	805843	Nut, hub retaining .....	1
12	306932	Nut, 5/16-18 .....	4	24	304636	Cotter pin, 1/8 x 1 1/8 .....	1

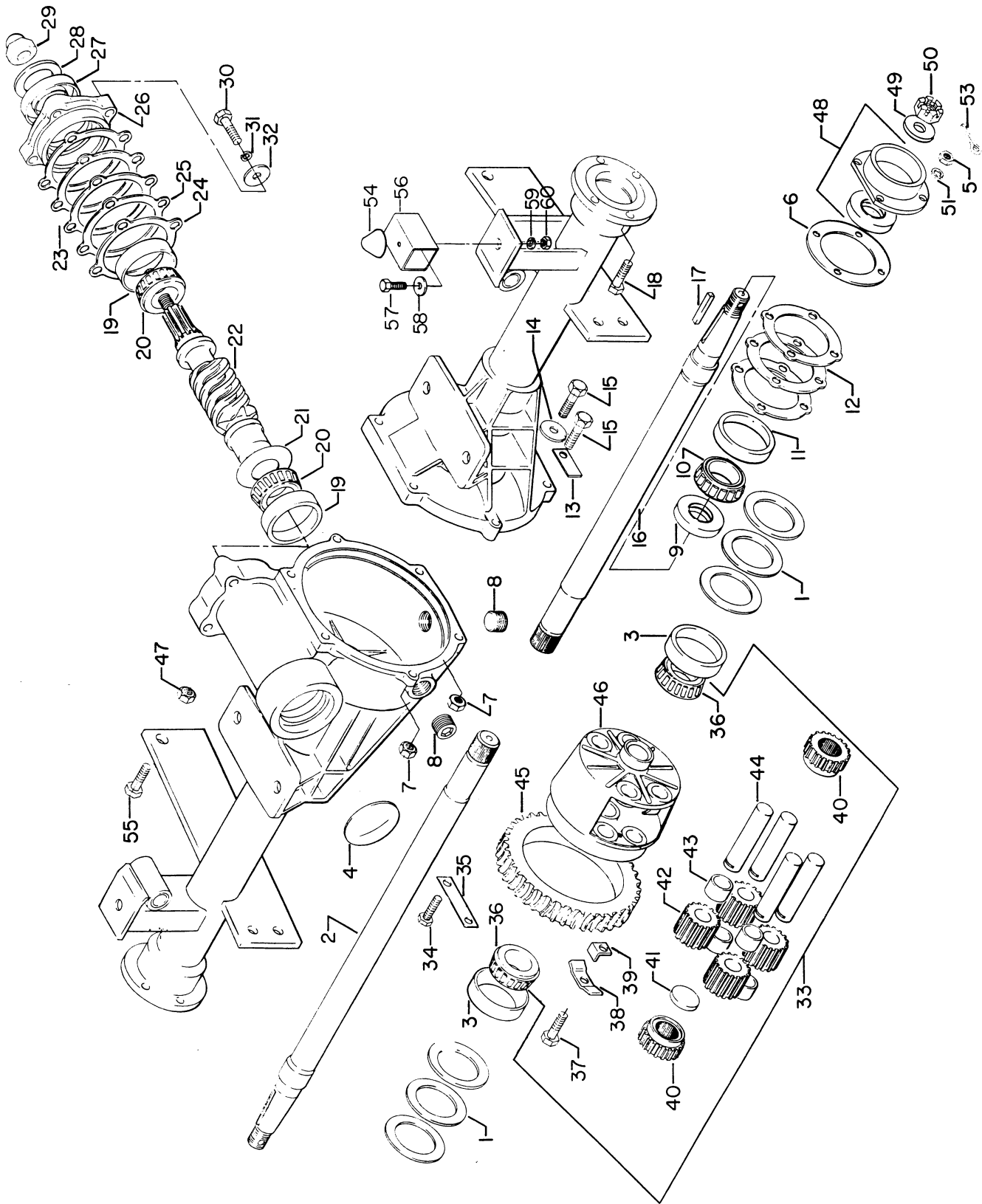
INDENTED PART NAMES INDICATE THESE PARTS ARE INCLUDED IN PREVIOUS ASSEMBLY





### FRONT WHEEL AND BRAKE

Ref. No.	Part No.	Description	Per Wheel	Ref. No.	Part No.	Description	Per Wheel
1	878159	Lining set, w/rivets .....	1	20	876324	Shoe, w/lining .....	2
2	800152	. Rivet, brass tubular .....	12	21	806274	Screw, (1 7/16" long) .....	4
3	306555	Screw, 5/16-18 x 5/8 .....	4			or	
4	306375	Nut, 1/4-20 .....	2	22	815838	Screw, (3 3/16" long) .....	4
5	306396	Lockwasher, 1/4 .....	4	23	805030	Drum, brake .....	1
6	815680	Washer, hole plug .....	2	24	817928	Seal .....	1
7	306419	Screw, 1/4-20 x 1/2 .....	2	25	815403	Cone, bearing, inner .....	1
8	130084	Nut, 5/8-18 .....	1	26	881109	Hub, w/bearing cups .....	1
9	306494	Lockwasher, 5/8 .....	1	27	814474	. Cup, bearing, inner .....	1
10	306319	Nut, 3/8-24 .....	2	28	808088	. Cup, bearing, outer .....	1
11	306353	Lockwasher, 3/8 .....	2	29	805860	Nut, wheel mounting .....	4
12	806758	Heel pin .....	1	30	808089	Cone, bearing, outer .....	1
13	306487	Screw, 1/4-20 x 5/8 .....	2	31	311537	Nut, 3/4-16 .....	1
14	806761	Pin, adjusting .....	2	32	304636	Pin, cotter, 1/8 x 1 1/8 .....	1
15	807343	Wheel cylinder (1) .....	1	33	817250	Cover .....	1
16	306325	Lockwasher, 5/16 .....	4	34	882239	Spacer (8.50 x 8 tire) .....	1
17	306932	Nut, 5/16-18 .....	4		876519	Backing plate .....	1
18	809252	Ring, retaining .....	1				
19	805441	Spring, brake .....	1				
				(1)	Refer to wheel cylinder breakdown for replacement parts. Page 34.		



**REAR AXLE**  
 (List on page 33)

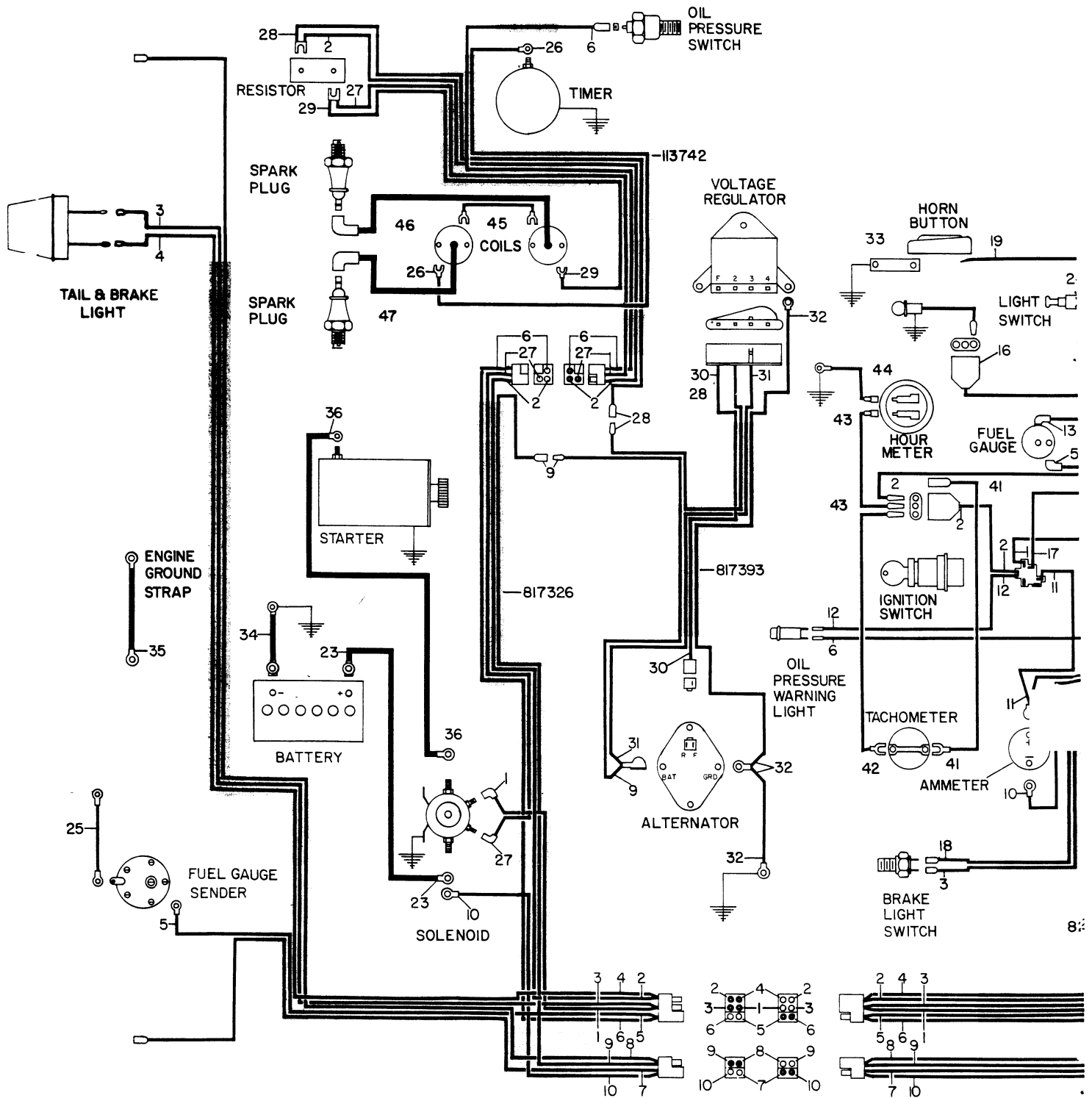
## REAR AXLE

(Illustrated on page 32)

Ref. No.	Part No.	Description	No. Req'd	Ref. No.	Part No.	Description	No. Req'd
1	879750	Rear axle, complete (8.2:1) .....	1	24	814465	. Gasket, retainer .....	2
	814469	. Shim, bearing (.003) .....	*	25	816515	. Shim, retainer (.003) .....	1
		or		26	814226	. Retainer, bearing .....	1
	814470	. Shim, bearing (.005) .....	*	27	812335	. Seal, worm .....	1
		or		28	809180	. Washer, ½ .....	1
	814471	. Shim, bearing (.010) .....	*	29	800198	. Nut, ½-20 .....	1
2	880261	. Axle, left .....	1	30	551094	. Screw, 3/8-16 x 1 ¼ .....	4
3	813470	. Cup, carrier bearing .....	4	31	120177	. Lockwasher, 3/8 .....	4
4	800244	. Hole plug, 2 3/8 .....	1	32	306405	. Washer, 3/8 .....	4
		or		33	879749	. Carrier complete (8.2:1) .....	1
	818226	. Hole plug, 2½ .....	1	34	816812	. Screw, special .....	1
5	306932	Nut, 5/16-18 .....	8	35	815794	. Plate, lock .....	1
6	808303	Gasket, retainer .....	2	36	813471	. Cone, bearing .....	2
7	800290	. Nut, 5/16-18 .....	6	37	306555	. Screw, 5/16-18 x 5/8 .....	2
8	800231	. Plug, filler and drain .....	2	38	816823	. Plate, retainer .....	2
9	814477	. Seal, axle .....	2	39	816824	. Plate, lock .....	2
10	814473	. Cone, axle bearing .....	2	40	814481	. Gear, axle .....	2
11	814474	. Cup, axle bearing .....	2	41	814484	. Spacer, axle .....	1
12	805320	. Shim (.005) .....	2	42	814482	. Gear, planet .....	4
		or		43	814483	. Spacer, planet gear .....	4
	805321	. Shim (.010) .....	1	44	816825	. Shaft, planet gear .....	4
		or		45	816036	. Worm gear (8.2:1) .....	1
	805322	. Shim (.030) .....	1	46	814479	. Housing, carrier .....	1
13	816045	. Tag, ratio (8.2:1) .....	1	47	800379	Nut, whizlock .....	4
14	103867	. Washer, 5/16 .....	5	48	879476	Retainer, seal .....	2
15	304055	. Screw, 5/16-18 x 1 3/8 .....	6	49	809156	Washer .....	2
16	880259	. Axle, right .....	1	50	805843	Nut, hub .....	2
17	805875	. Key, hub .....	2	51	306325	Lockwasher, 5/16 .....	8
18	806251	. Screw, special .....	8	52	120166	Lockwasher, ½ .....	4
19	814476	. Cup, worm bearing .....	2	53	304636	Pin, cotter 1/8 x 1 1/8 .....	2
20	814475	. Cone, worm bearing .....	2	54	813850	Bumper .....	2
21	814478	. Slinger .....	1	55	800380	Screw, whizlock .....	4
22	816035	. Worm (8.2:1) .....	1	56	822943	Tube, travel limiting .....	2
23	814466	. Shim, retainer (.005) .....	*	57	306838	Screw .....	2
		or		58	306982	Washer .....	2
	814467	. Shim, retainer (.010) .....	*	59	303269	Lockwasher .....	2
		or		60	304364	Nut .....	2
	814468	. Shim, retainer (.010) .....	*				

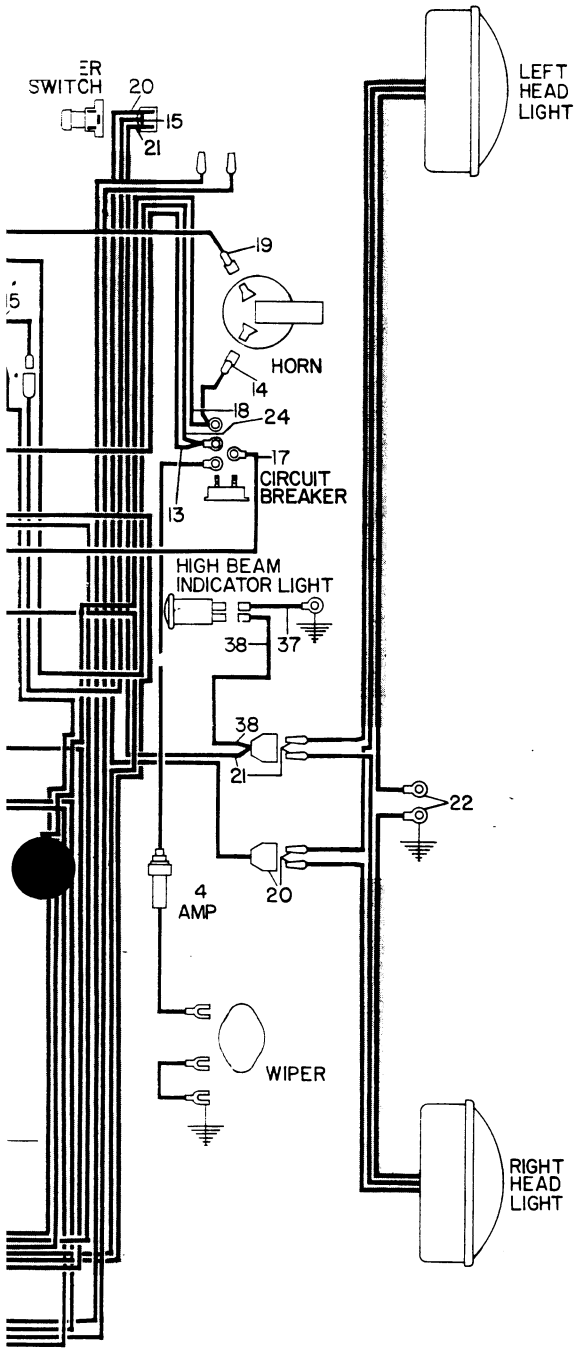
\* As required

INDENTED PART NAMES INDICATE THESE PARTS ARE INCLUDED IN PREVIOUS ASSEMBLY



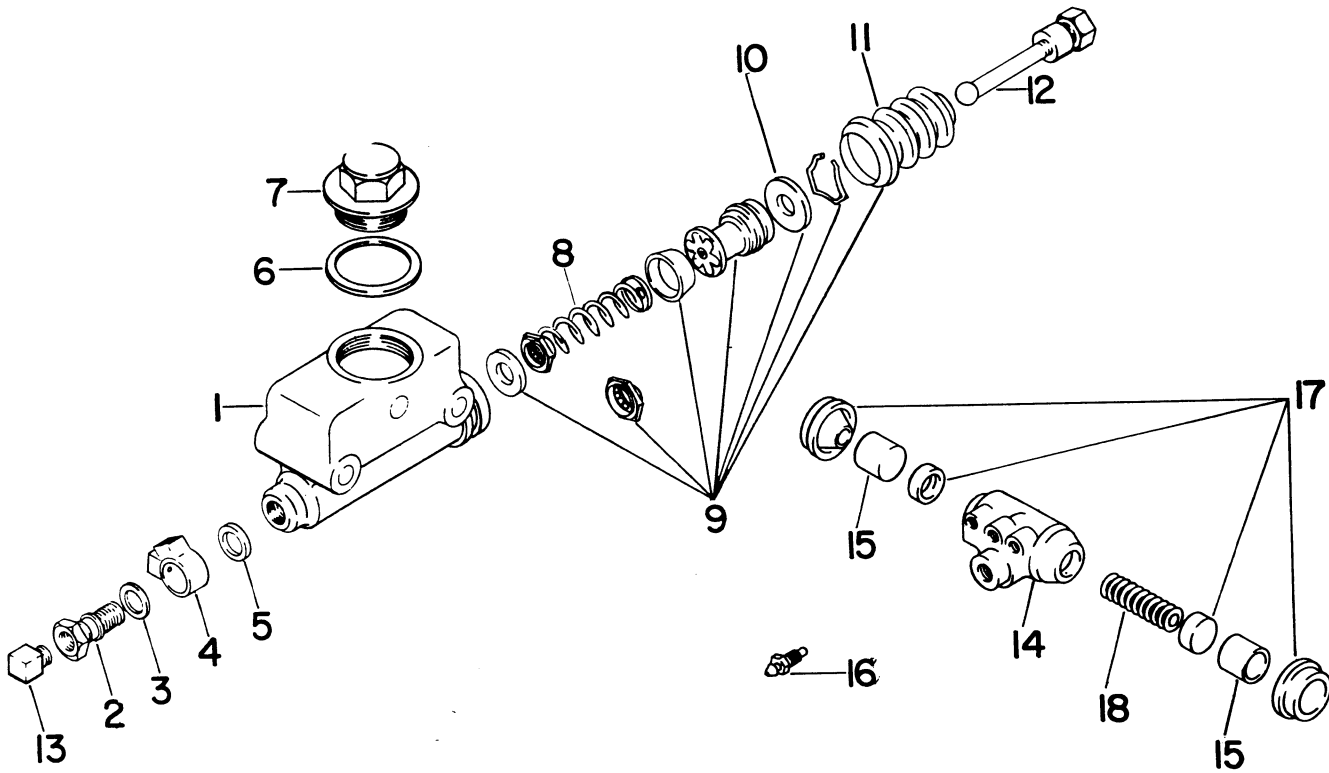
**SEPARATE WIRES**

REF. NO.	PART NO.	DESCRIPTION	REF. NO.	PART NO.	DESCRIPTION
19	821417	Black—Horn to horn button	34	817296	Black—Battery (-) to ground
22		Black—headlight to ground	35	814417	Black—Engine to ground
23	817143	Black—Battery (+) to solenoid	36	817323	Black—Solenoid to starter
			37	821118	White—High beam indicator to ground
25	815996	Orange/Yellow—Fuel gauge sender to ground	41		Green—Tachometer to ignition switch
33	820595	Copper Strip—Horn switch to ground			



REF. NO.	PART NO.	DESCRIPTION
42		Green—Tachometer to ignition switch
43	880842	Green—Hour meter to ignition switch
44	880841	Black—Hour meter to ground
45	112987	Brown—Coil to coil
46	113745	—Coil to spark plug—short
47	113746	—Coil to spark plug—long

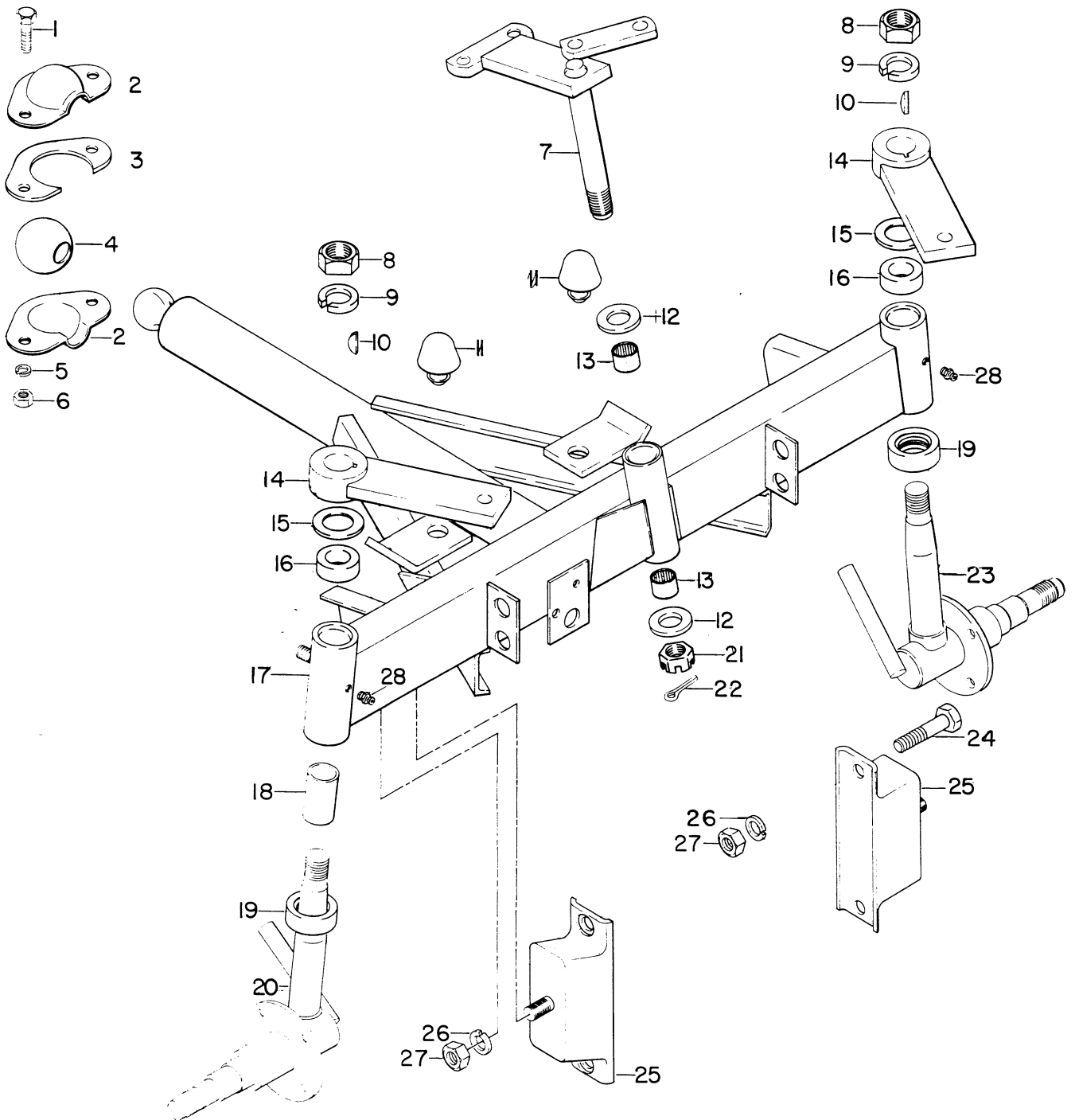
WIRE NO.	PART NO.	DESCRIPTION
	113742	<b>HARNES—TWIN ENGINE</b>
2		Green—Resistor to igniton switch (IGN)
6		White—Oil pressure, switch to light
26		Black—Coil to timer
27		Blue—Resistor to solenoid(1)
28		Green—Resistor to voltage regulator (2)
29		Blue—Resistor to coil
	817326	<b>HARNES—REAR MAIN WIRING</b>
1		Pink—Solenoid (S) to ignition switch (S)
2		Green—Resistor to ignition switch (IGN)
3		Black—Brake light to brake light switch
4		Tan—Tail light to light switch
5		Yellow—Fuel gauge sender to fuel gauge
6		White—Oil pressure switch to light
9		Red—Alternator (BAT.) to ammeter (+)
10		Black—Solenoid (BAT.) to ammeter (-)
27		Blue—Solenoid (1) to resistor
	817393	<b>HARNES—42 AMP. ALTERNATOR</b>
9		Red—Alternator (BAT.) to ammeter (+)
28		Green—Voltage regulator (2) to resistor
30		White—Alternator (F) to voltage regulator (F)
31		Yellow—Alternator (BAT.) to regulator (3)
32		Blue—Alternator (GRD) to regulator (GRD)
	820971	<b>HARNES—FRONT MAIN WIRING</b>
1		Pink—Ignition switch (S) to solenoid (S)
2		Green—Ignition switch (IGN) to resistor
3		Black—Brake light switch to brake light
4		Tan—Light switch to tail light
5		Yellow—Fuel gauge to fuel gauge sender
6		White—Oil pressure, light to switch
9		Red—Ammeter (+) to alternator (BAT.)
10		Black—Ammeter (-) to solenoid (BAT.)
11		Red—Ignition-switch (BAT.) to ammeter (+)
12		White—Oil pressure warning light to ignition switch (IGN)
13		Purple—Fuel gauge (IGN) to circuit breaker
14		Grey—Horn to circuit breaker
15		Light Blue—Light switch to dimmer switch
16		Orange—Light switch to speedometer light
17		Black—Ignition switch (ACC) to circuit breaker
18		Grey—Circuit breaker to brake light switch
20		Yellow—Dimmer switch to headlight
21		Ivory—Dimmer switch to headlight
24		Purple—Circuit breaker to light switch
38		White—High beam indicator to headlight



### MASTER CYLINDER AND WHEEL CYLINDER

Ref. No.	Part No.	Description	No. Req'd	Ref. No.	Part No.	Description	No. Req'd
1	807344	Master cylinder .....	1	10	811919	. Washer, master cylinder .....	1
2	810393	. Fitting, screw .....	1	11	811928	. Boot, master cylinder .....	1
3	810444	. Washer, outer fitting seal .....	1	12	811918	. Push rod, master cylinder .....	1
4	810448	. Fitting, brass, "U" .....	1	13	800114	Plug, sq. hd. ....	1
5	810443	. Washer, inner fitting seal .....	1	14	807343	Wheel cylinder .....	1
6	811929	. Gasket, filler cap .....	1	15	811910	. Piston, wheel cylinder .....	2
7	811773	. Cap, filler .....	1	16	811794	. Bleeding nipple .....	1
8	811917	. Spring, master cylinder .....	1	17	811775	. Repair kit, wheel cylinder .....	1
9	811774	. Repair kit, master cylinder .....	1	18	811911	. Spring, wheel cylinder .....	1

INDENTED PART NAMES INDICATE THESE PARTS ARE INCLUDED IN PREVIOUS ASSEMBLY



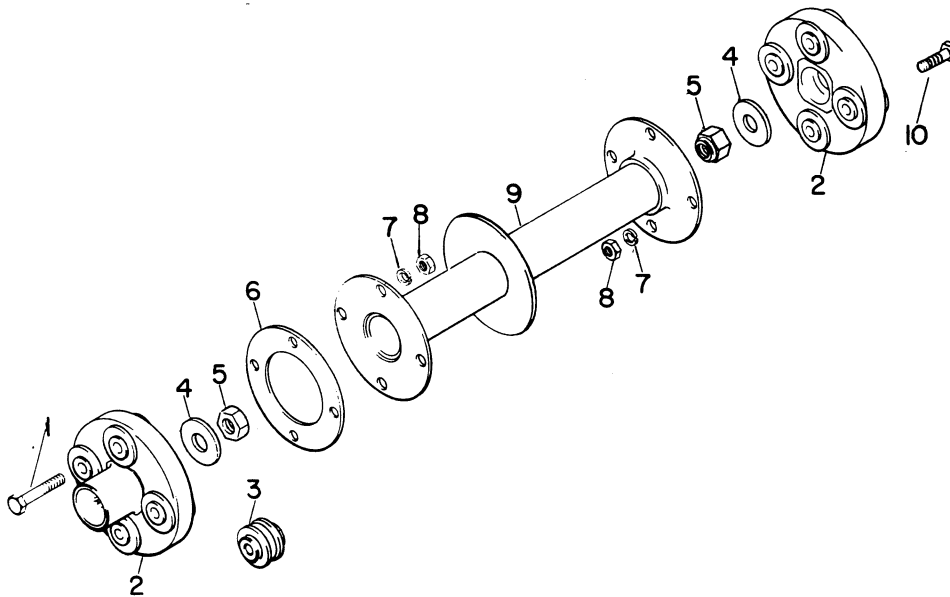
**FRONT AXLE**

(List on page 38)

## FRONT AXLE

(Illustrated on page 37)

Ref. No.	Part No.	Description	No. Req'd	Ref. No.	Part No.	Description	No. Req'd
1	306835	Screw, 3/8-16 x 1 1/4 hex. hd. ....	2	15	817889	Washer, thrust .....	2
2	808382	Cap, ball joint .....	2	16	818219	Seal, king pin .....	2
3	808993	Spacer, ball joint .....	1	17	882060	Axle, front .....	1
4	810144	Bushing, ball joint .....	1	18	818238	Bushing, king pin .....	4
5	120177	Lockwasher, 3/8 .....	2	19	817891	Bearing, king pin .....	2
6	306562	Nut, 3/8-16 hex. ....	2	20	882071	Spindle, right .....	1
7	882074	Bellcrank, steering .....	1	21	311537	Nut, 3/4-16 hex. castle .....	1
8	307665	Nut, 3/4-16 hex. jam .....	2	22	307976	Pin, cotter, 5/32 x 1 1/4 .....	1
9	312272	Lockwasher, 3/4 .....	2	23	882070	Spindle, left .....	1
10	306367	Key .....	2	24	306875	Screw, 1/2-20 x 1 1/2 hex. hd. ....	4
11	813850	Bumper, travel limiting .....	2	25	819161	Shear mount .....	2
12	201131	Washer, thrust, brass .....	2	26	120166	Lockwasher, 1/2 .....	6
13	808060	Bearing, needle .....	2	27	301988	Nut, 1/2-20 hex. ....	6
14	881142	Arm, steering .....	2	28	807439	Fitting, lubrication .....	2

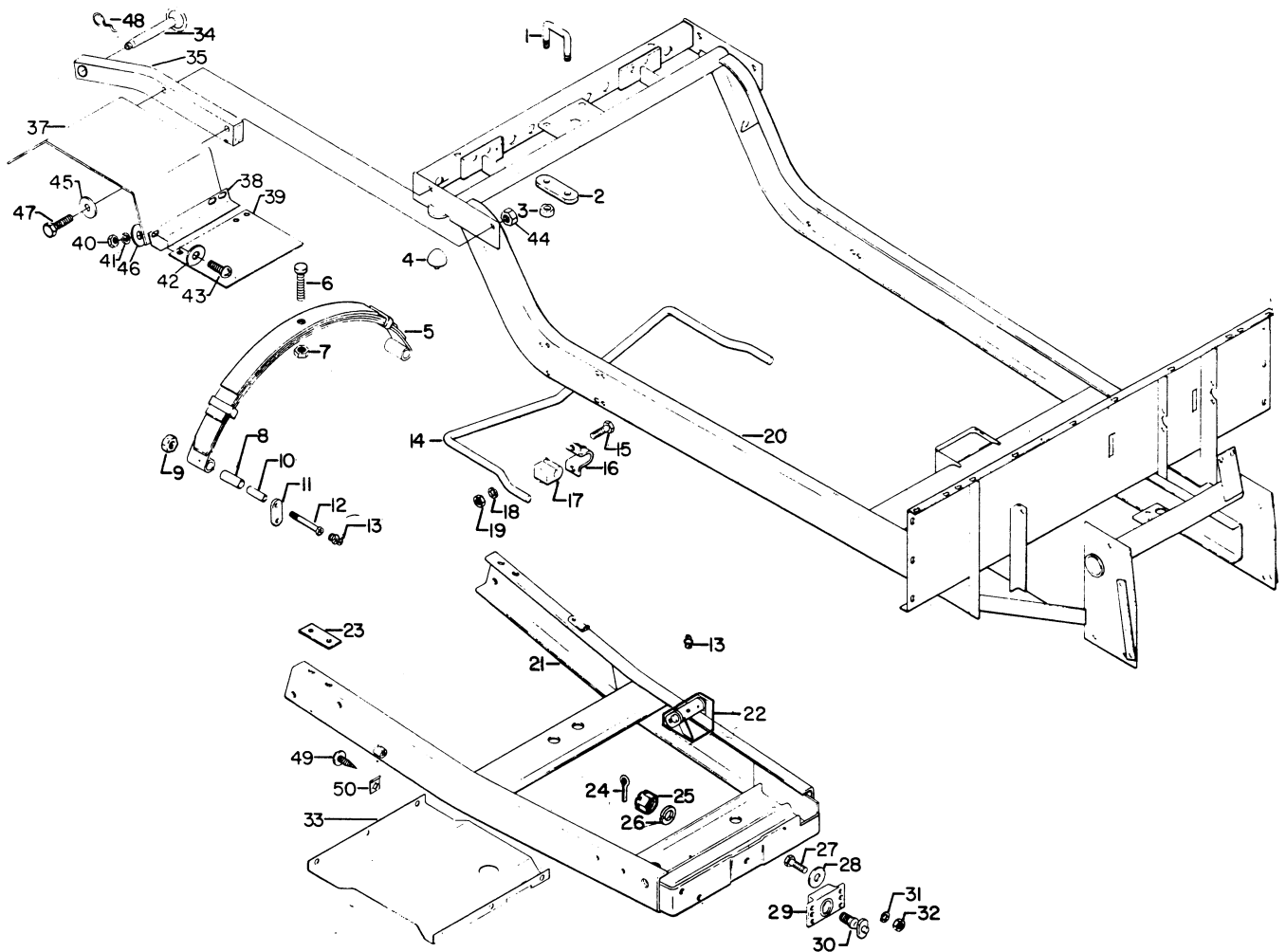


## DRIVE SHAFT

Ref. No.	Part No.	Description	No. Req'd	Ref. No.	Part No.	Description	No. Req'd
1	311411	Screw, 5/16-18 x 1 5/8 .....	4	6	812327	Spacer, drive shaft .....	3
2	878534	Coupling, w/bushings .....	2	7	306325	Lockwasher, 5/16 .....	8
3	810143	-Bushing .....	8	8	306932	Nut, 5/16-18 .....	8
4	809180	Washer, 1/2 .....	2	9	882985	Driveshaft .....	1
5	800198	Nut, 1/2-20 Hex. ....	2	10	306423	Screw, 5/16-18 x 1 1/4 .....	4

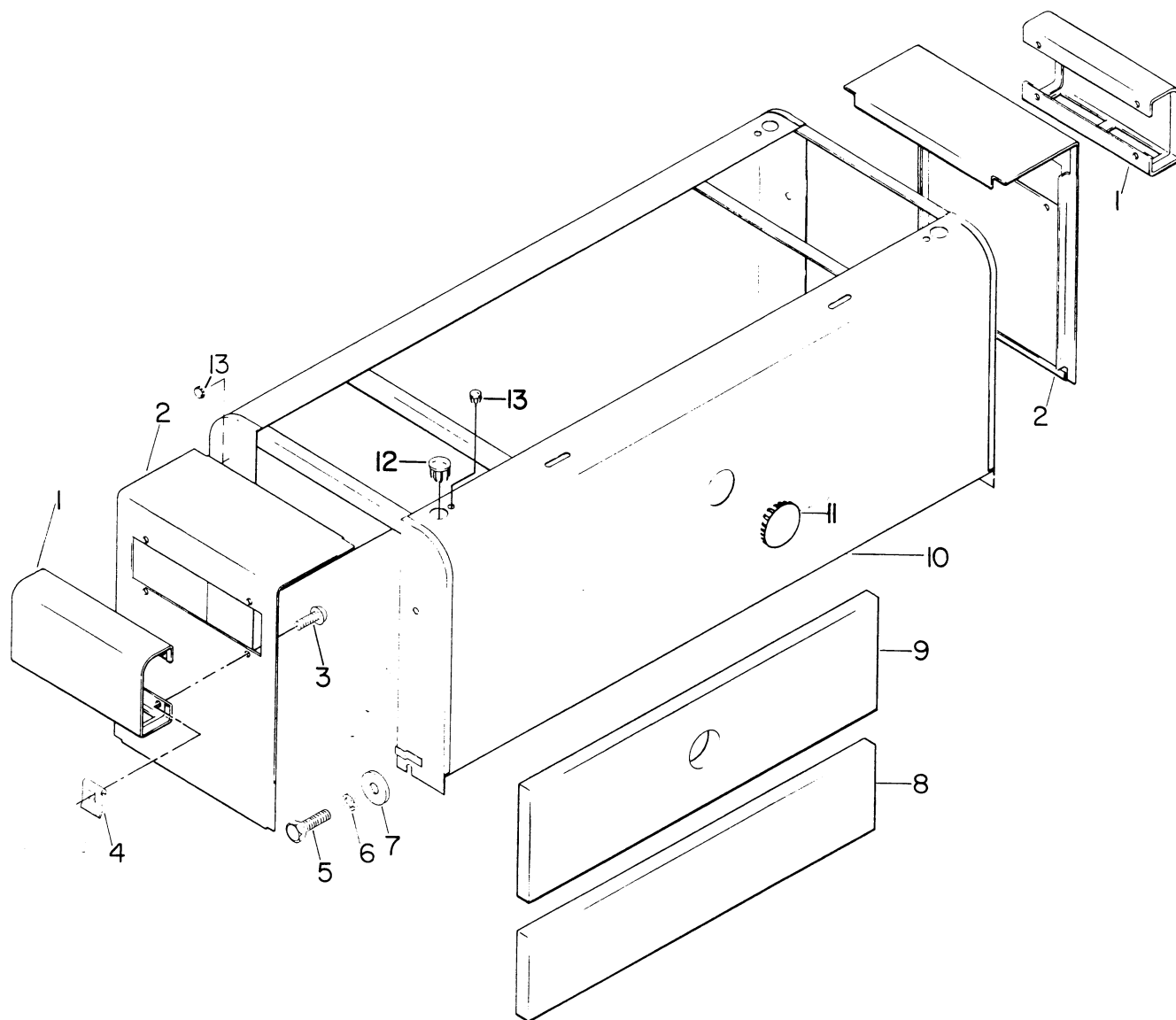
INDENTED PART NAMES INDICATE THESE PARTS ARE INCLUDED IN PREVIOUS ASSEMBLY





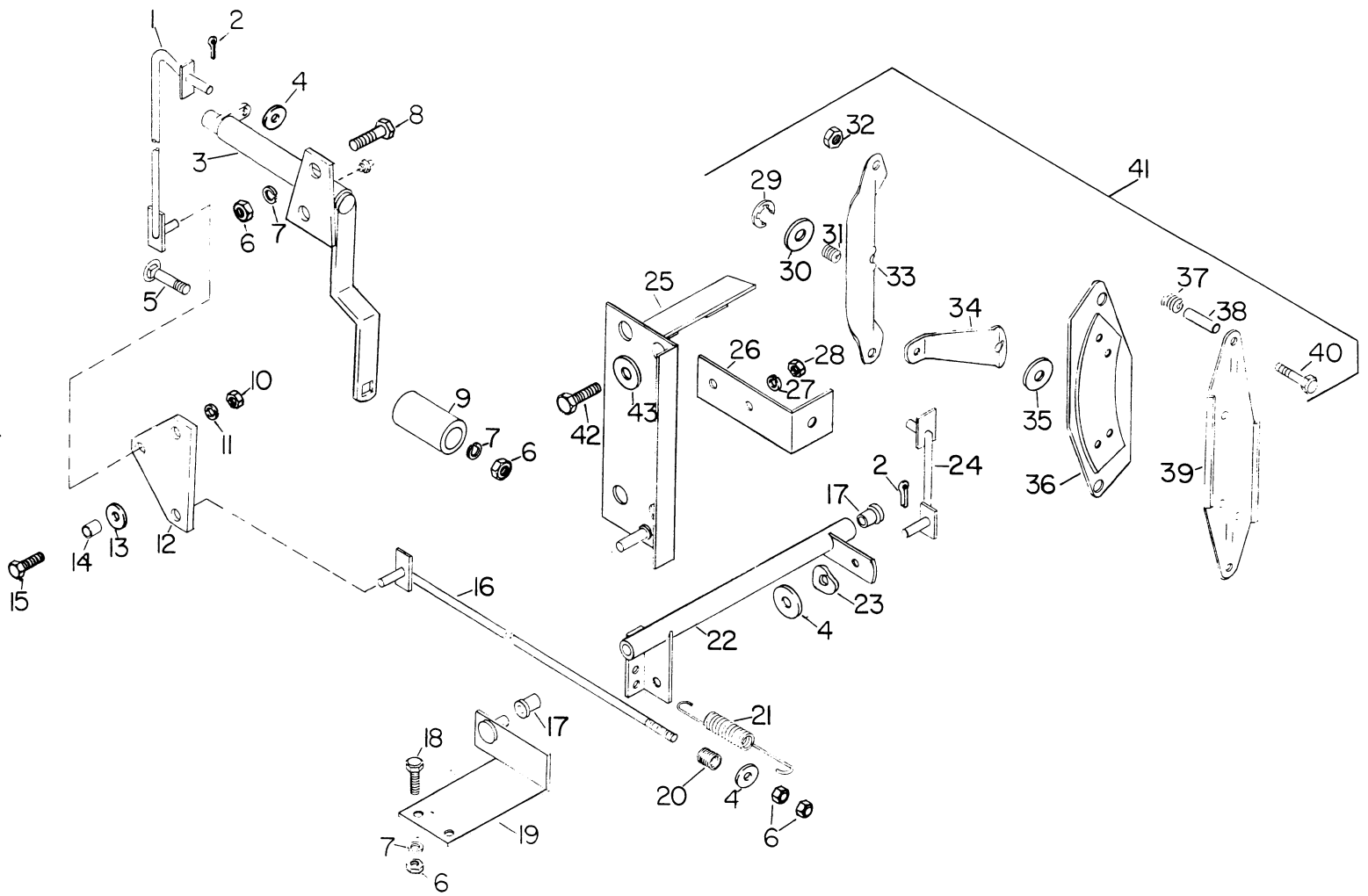
**FRAME**

Ref. No.	Part No.	Description	No. Req'd	Ref. No.	Part No.	Description	No. Req'd
1	815416	"U" Bolt, rear spring .....	2	25	306839	Nut, 5/8-18 hex. castle .....	1
2	812218	Plate, rear spring .....	2	26	306494	Lockwasher, 5/8 .....	1
3	800294	Nut, 7/16-14 hex. ....	4	27	306450	Screw, 5/16-18 x 3/4 hex.hd. ....	4
4	813850	Bumper, travel limiting .....	2	28	103867	Washer, 5/16 .....	4
5	875142	Spring, rear .....	1	29	813679	Mount, power frame .....	1
6	806252	. Center bolt, spring .....	1	30	878485	Stud .....	1
7	306934	. Nut, 5/16-24 hex. ....	1	31	306325	Lockwasher, 5/16 .....	4
8	805196	. Bushing, spring .....	2	32	306932	Nut, 5/16-18 hex. ....	4
9	800292	Nut, 3/8-16 center lock .....	4	33	822393	Shield, transmission .....	1
10	808996	Spacer, shackle .....	4	34	882971	Pin, box pivot .....	2
11	805953	Arm, shackle .....	4	35	882918	Support, box pivot .....	2
12	806253	Screw, shackle .....	4	37	882917	Fender, .....	2
13	807442	Fitting, lubrication, 90° .....	2	38	821283	Bracket, mud flap .....	2
		or		39	820431	Flap, fender .....	3
	807439	Fitting, lubrication, straight .....	2	40	306375	Nut, 1/4 .....	6
14	816715	Bar, stabilizer .....	1	41	306396	Lockwasher, 1/4 .....	6
15	306835	Screw, 3/8-16 x 1 1/4 hex. hd .....	8	42	308090	Washer, 1/4 .....	6
16	812215	Bracket, stabilizer bar .....	4	43	800026	Screw, 1/4 P.T.H. ....	6
17	816667	Bushing, rubber .....	4	44	800351	Locknut, 3/8 .....	4
18	120177	Lockwasher, 3/8 .....	8	45	809168	Washer, 3/8 .....	4
19	306562	Nut, 3/8-16 hex. ....	8	46	815680	Washer, 1/4 .....	6
20	882059	Frame, main .....	1	47	306836	Screw, 3/8 .....	4
21	882983	Frame, power .....	1	48	809265	Pin, hair .....	2
22	878852	. Pivot, clutch .....	1	49	800331	Screw .....	5
23	816517	Washer .....	2	50	800364	Nut, speed .....	5
24	120310	Pin, cotter, 1/8 x 1 1/2 .....	1				



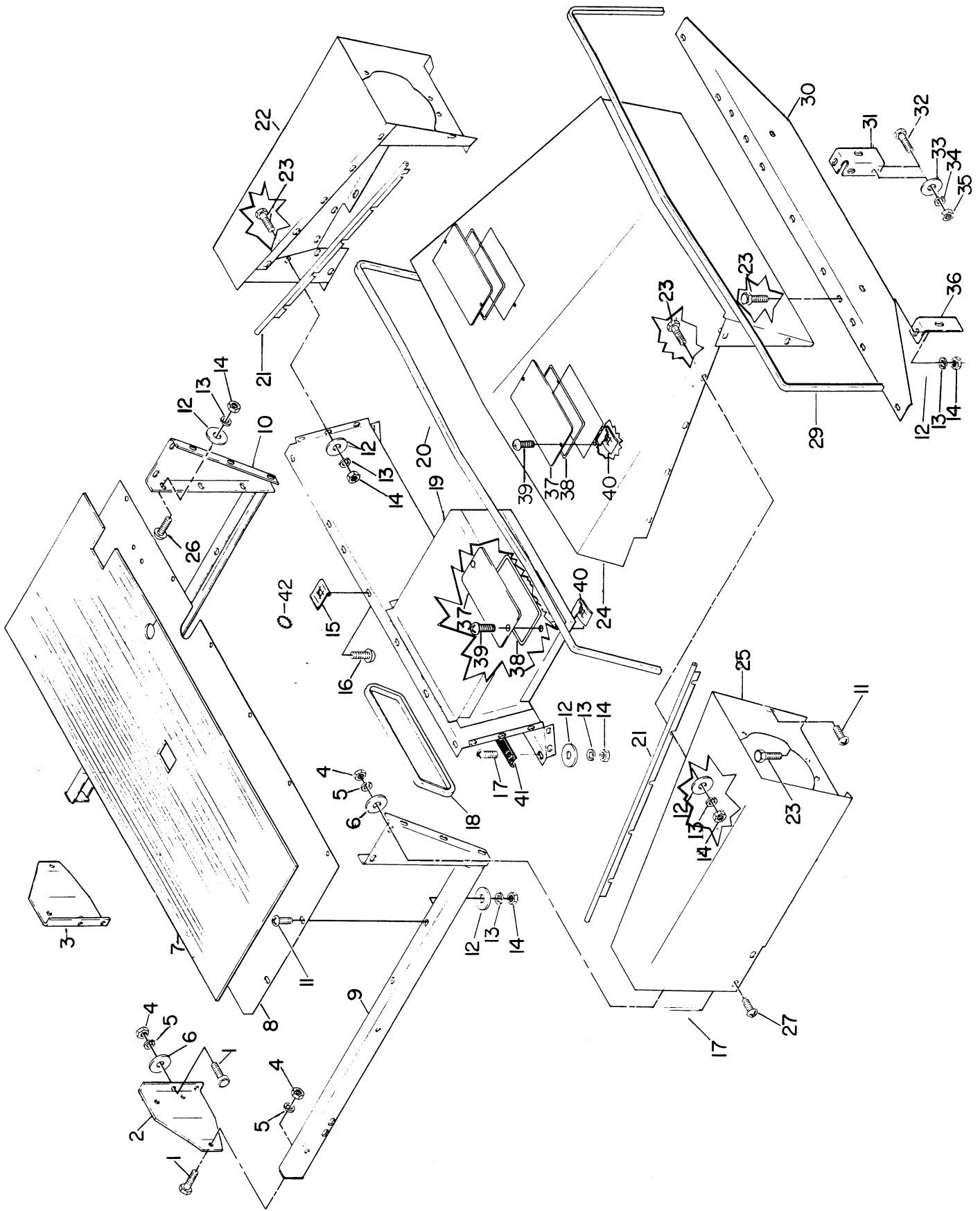
### ENGINE COVER

Ref. No.	Part No.	Description	No. Req'd	Ref. No.	Part No.	Description	No. Req'd
1	816978	Inlet, air .....	2	8	816986	Insulation, front lower .....	1
2	880049	Panel, side .....	2	9	816985	Insulation, front upper .....	1
3	800277	Screw, 1/4-20 x 5/8 P.T.H. ....	8	10	882120	Engine cover .....	1
4	800196	Nut, 1/4-20 speed, Type "J" ....	8	11	816698	Hole plug .....	1
5	300646	Screw, 1/4-20 x 3/4 hex. hd. ....	4	12	816090	Hole plug .....	2
6	306396	Lockwasher, 1/4 .....	4	13	811733	Hole plug .....	2
7	308090	Washer, 1/4 plain .....	4				



### PARKING BRAKE

Ref. No.	Part No.	Description	No. Req'd	Ref. No.	Part No.	Description	No. Req'd
1	882977	Rod, assembly .....	1	23	800254	Washer, wave 5/16 .....	2
2	306328	Pin, cotter .....	5	24	882987	Rod assembly .....	1
3	882988	Handle assembly .....	1	25	882973	Bracket assembly .....	1
4	103867	Washer .....	5	26	823050	Bracket, caliber mtg .....	1
5	800083	Bolt, 5/16-18 x 2 1/4 rd hd. ....	1	27	120177	Lockwasher, 3/8 .....	4
6	306932	Nut, 5/16-18 .....	6	28	306562	Nut, 3/8-16 .....	4
7	306325	Lockwasher, 5/16 .....	5	29	823462	Snap ring, external .....	1
8	800177	Screw, 5/16-18 .....	2	30	823461	Washer, flat .....	1
9	821209	Knob .....	1	31	823460	Spring .....	1
10	306375	Nut, 1/4-20 .....	1	32	823466	Nut, self locking 3/8-24 .....	2
11	306396	Lockwasher, 1/4 .....	1	33	823459	Bracket, cam actuator .....	1
12	823068	Bellcrank, front .....	1	34	823458	Cam, 30 degree .....	1
13	308090	Washer .....	1	35	823457	Washer, flat .....	1
14	805245	Bushing .....	1	36	883140	Cam, side assy .....	1
15	306487	Screw, 1/4-20-5/8 .....	1	37	823465	Spring .....	2
16	882978	Rod assembly .....	1	38	823464	Bushing .....	2
17	823049	Bushing .....	2	39	883141	Side assy .....	1
18	306450	Screw, 5/16-18 x 3/4 .....	2	40	823463	Screw, 3/8-24 x 2 1/4 .....	2
19	882992	Bracket assembly .....	1	41	882984	Caliper assy, brake .....	1
20	818020	Brake spring .....	1	42	306414	Screw, 3/8-16 x 1 .....	4
21	823089	Spring, brake return .....	1	43	306981	Washer, 3/8 .....	4
22	882974	Bellcrank, rear .....	1				



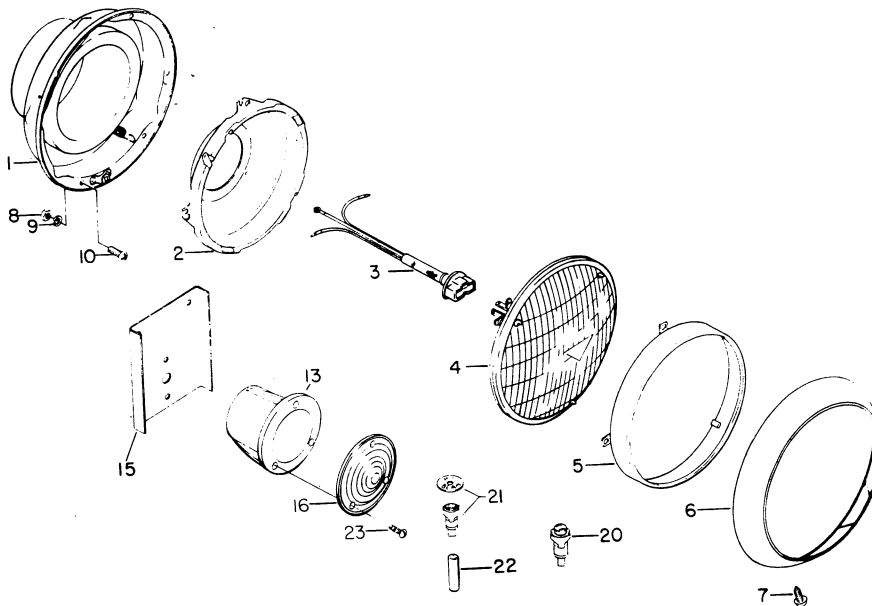
**FRONT PANEL AND FLOORBOARD**

(List on page 43)

## FRONT PANEL AND FLOORBOARD

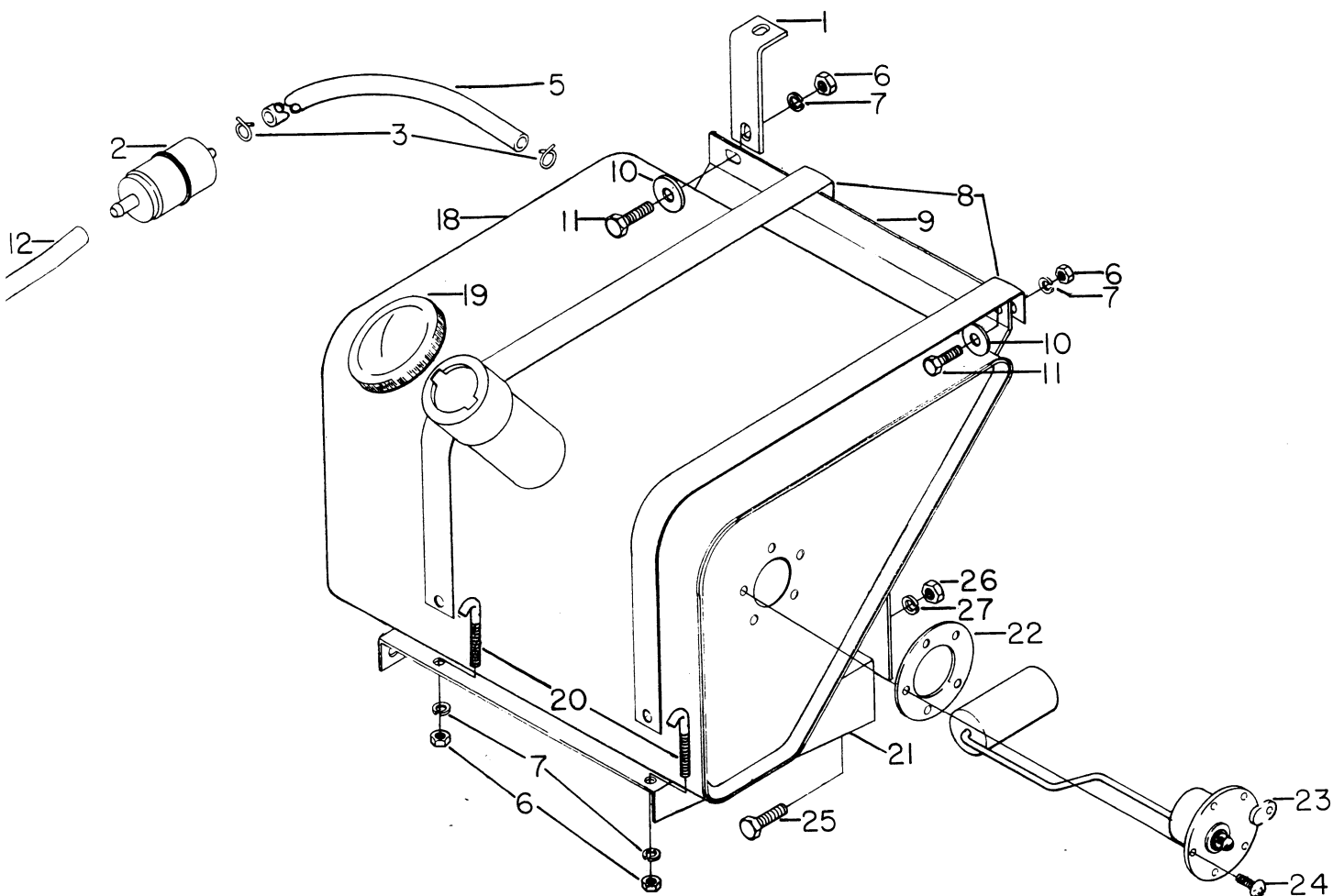
(Illustrated on page 42)

Ref. No.	Part No.	Description	No. Req'd	Ref. No.	Part No.	Description	No. Req'd
1	306450	Screw, 5/16-18 x 3/4 .....	6	23	306487	Screw, 1/4-20 x 5/8 .....	31
2	820825	Bracket, support, right .....	1	24	882079	Panel, hood .....	1
3	820826	Bracket, support, left .....	1	25	882077	Fender, right .....	1
4	306932	Nut, 5/16-18 hex .....	10	26	800019	Screw, 1/4-20 x 1/2 .....	6
5	306325	Lockwasher, 5/16 .....	10	27	800177	Screw, 5/16-18 x 3/4 P.T.H. ....	4
6	103867	Washer, 5/16 plain .....	8	29	820987	Trim, front body, front .....	1
7	820827	Floor mat .....	1	30	820999	Shield, modesty .....	1
8	882076	Floorboard .....	1	31	821001	Bracket, left .....	1
9	882073	Support, right .....	1	32	306414	Screw, 3/8-16 x 1 hex. hd .....	4
10	882072	Support, left .....	1	33	306981	Washer, 3/8 plain .....	4
11	800026	Screw, 1/4-20 x 3/4 P.T.H. ....	14	34	120177	Lockwasher, 3/8 .....	4
12	308090	Washer, 1/4 plain .....	61	35	306562	Nut, 3/8-16 hex. ....	4
13	306396	Lockwasher, 1/4 .....	61	36	821000	Bracket, right .....	1
14	306375	Nut, 1/4-20 hex. ....	61	37	816611	Door .....	3
15	800325	Nut, No. 14A speed, Type "J" ....	7	38	816610	Gasket .....	3
16	800327	Screw, No. 14A x 5/8 self-tapping ..	7	39	800144	Screw, No. 10-24 x 5/8 P.T.H. ....	6
17	800277	Screw, 1/4-20 x 5/8 .....	10	40	800170	Nut, No. 10-24 type "J" .....	6
18	820989	Trim, glove box .....	1	41	821397	Trim, front panel .....	1
19	882133	Panel, filler and glove box .....	1	42	816090	Plug .....	1
20	820988	Trim, front panel, rear .....	1	*	818304	Paint, green 12 oz. spray .....	
21	821016	Welting .....	2	*	819492	Paint, green 1 quart can .....	
22	882078	Fender, left .....	1				



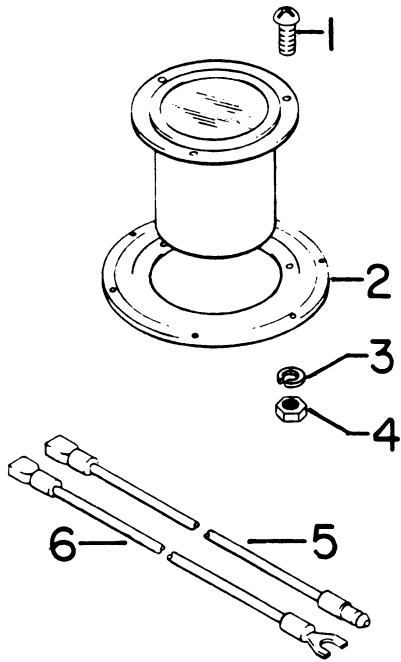
### LIGHTS

Ref. No.	Part No.	Description	No. Req'd	Ref. No.	Part No.	Description	No. Req'd
	820973	Headlight, complete .....	2	9	120052	Lockwasher, No. 10 .....	12
1	821346	Body assembly .....	2	10	800215	Screw, No. 10-24 x 5/8 .....	12
2	821345	Mounting ring .....	2	13	882851	Taillight, complete .....	1
3	821347	Wire assembly .....	2	15	822854	Bracket, taillight mounting .....	1
4	820745	Headlight .....	2	16	823336	Lens, red .....	1
5	821344	Bulb retainer .....	2	20	817324	Light, oil indicator .....	1
6	821343	Door assembly .....	2	21	881295	Indicator, hi-beam .....	1
7	800138	Screw, No. 10 x 5/8 .....	2	22	818829	Sleeve .....	1
8	306531	Nut, No. 10-24 .....	12	23	823196	Screw, lens .....	3



### FUEL TANK

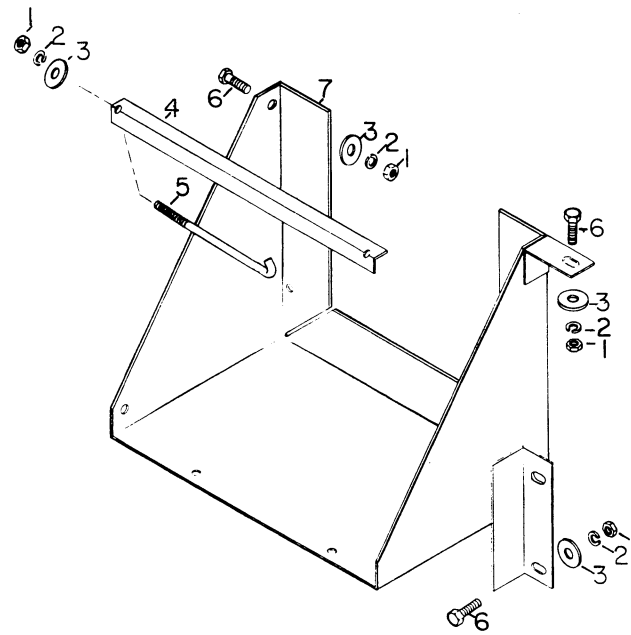
Ref. No.	Part No.	Description	No. Req'd	Ref. No.	Part No.	Description	No. Req'd
1	822990	Bracket .....	1	18	882908	Tank fuel .....	1
2	821814	Filter .....	1	19	819494	Cap, gas .....	1
3	821815	Clamp .....	4	20	809949	J-Bolt .....	2
5	819253	Hose, fuel .....	1	21	822871	Support .....	1
6	306375	Nut, 1/4 x 20 .....	6	22	814409	Gasket .....	1
7	306396	Lockwasher, 1/4 .....	5	23	821117	Gas guage, tank unit .....	1
8	823004	Band .....	2	24	800306	Screw .....	5
9	822989	Brace .....	1	25	306450	Screw, 5/16 .....	2
10	308090	Washer, 1/4 .....	3	26	306932	Nut, 5/16 .....	2
11	306487	Screw, 1/4 x 20 .....	3	27	306325	Lockwasher, 5/16 .....	2
12	110836	Hose, fuel .....	1				



### HOUR METER

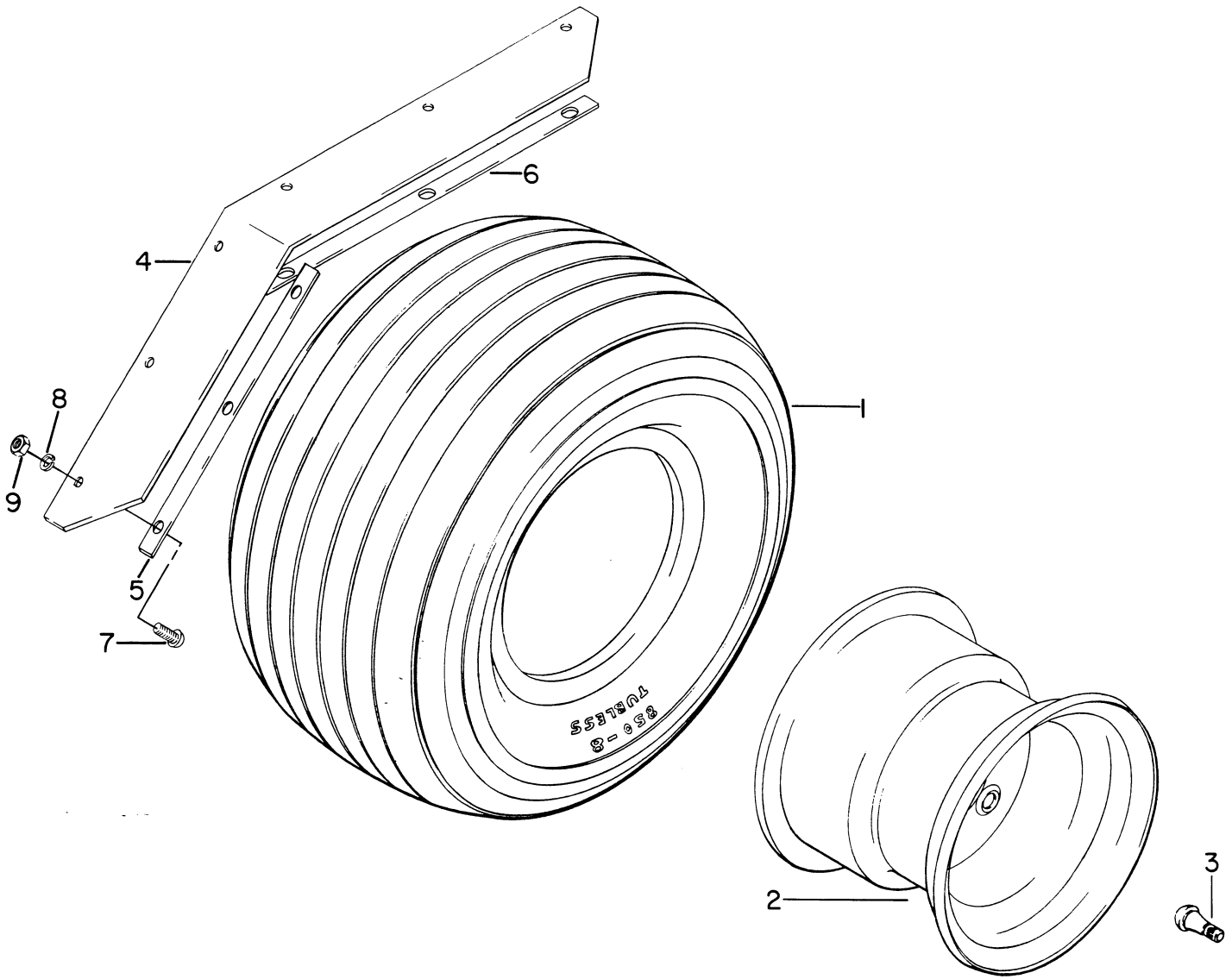
Ref. No.	Part No.	Description	No. Req'd
	880584	Hour meter .....	1
1	130152	-Screw, No. 6-32 x 1/4 .....	6
2	816765	-Dampener .....	1
3	306506	-Lockwasher, No. 6 .....	6
4	302437	-Nut, No. 6-32 hex. ....	6
5	880842	-Wire, ignition to meter .....	1
6	880841	-Wire, meter to ground .....	1

INDENTED PART NAMES INDICATE THESE PARTS ARE INCLUDED IN PREVIOUS ASSEMBLY



### BATTERY BOX

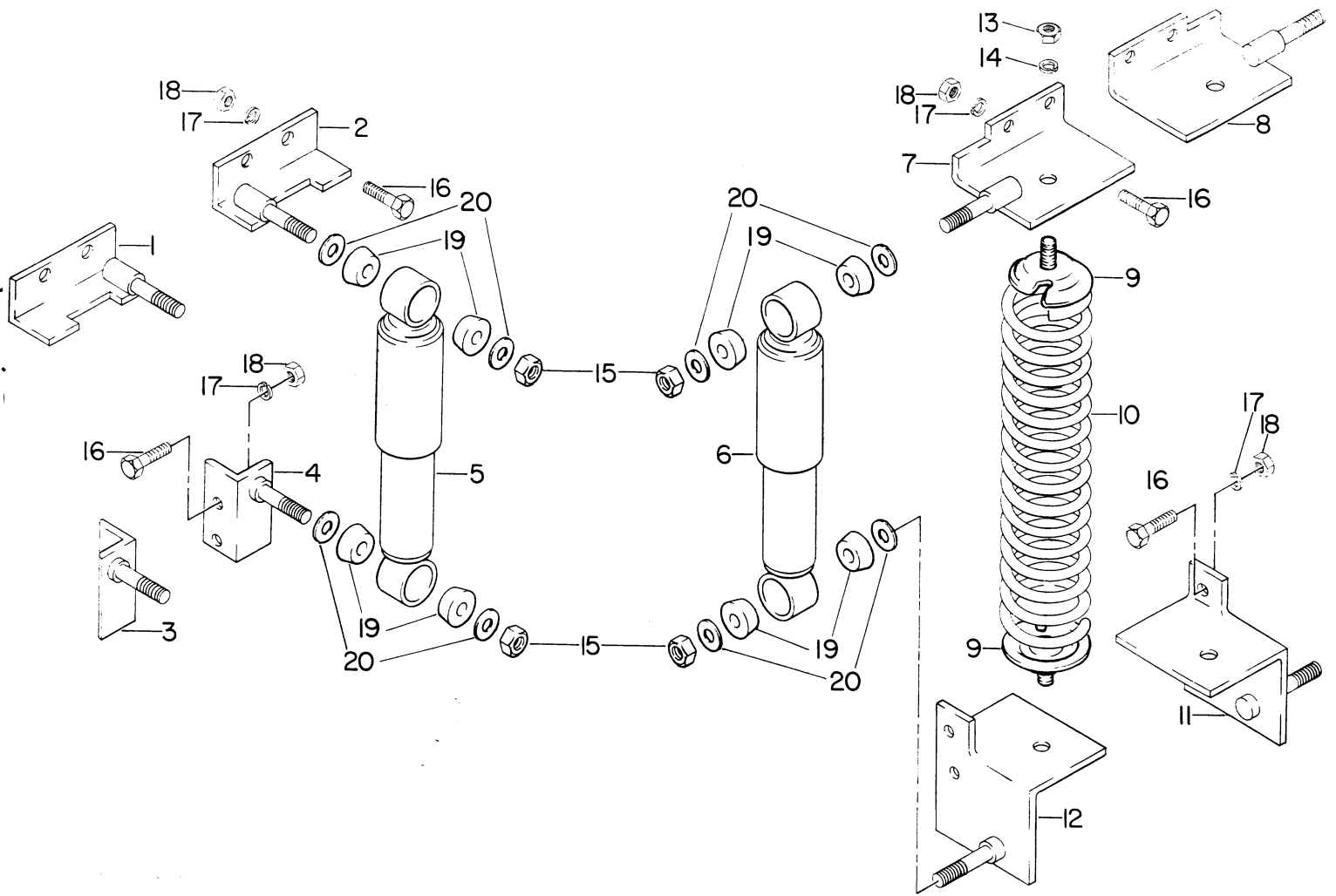
Ref. No.	Part No.	Description	No. Req'd	Ref. No.	Part No.	Description	No. Req'd
1	306932	Nut, 5/16-18 .....	6	5	806953	Bolt, battery holddown .....	2
2	306325	Lockwasher, 5/16 .....	6	6	306450	Screw, 5/16-18 x 3/4 .....	4
3	103867	Washer, 5/16, plain .....	6	7	882925	Battery Box .....	1
4	815847	Battery holddown .....	1				



### TIRES

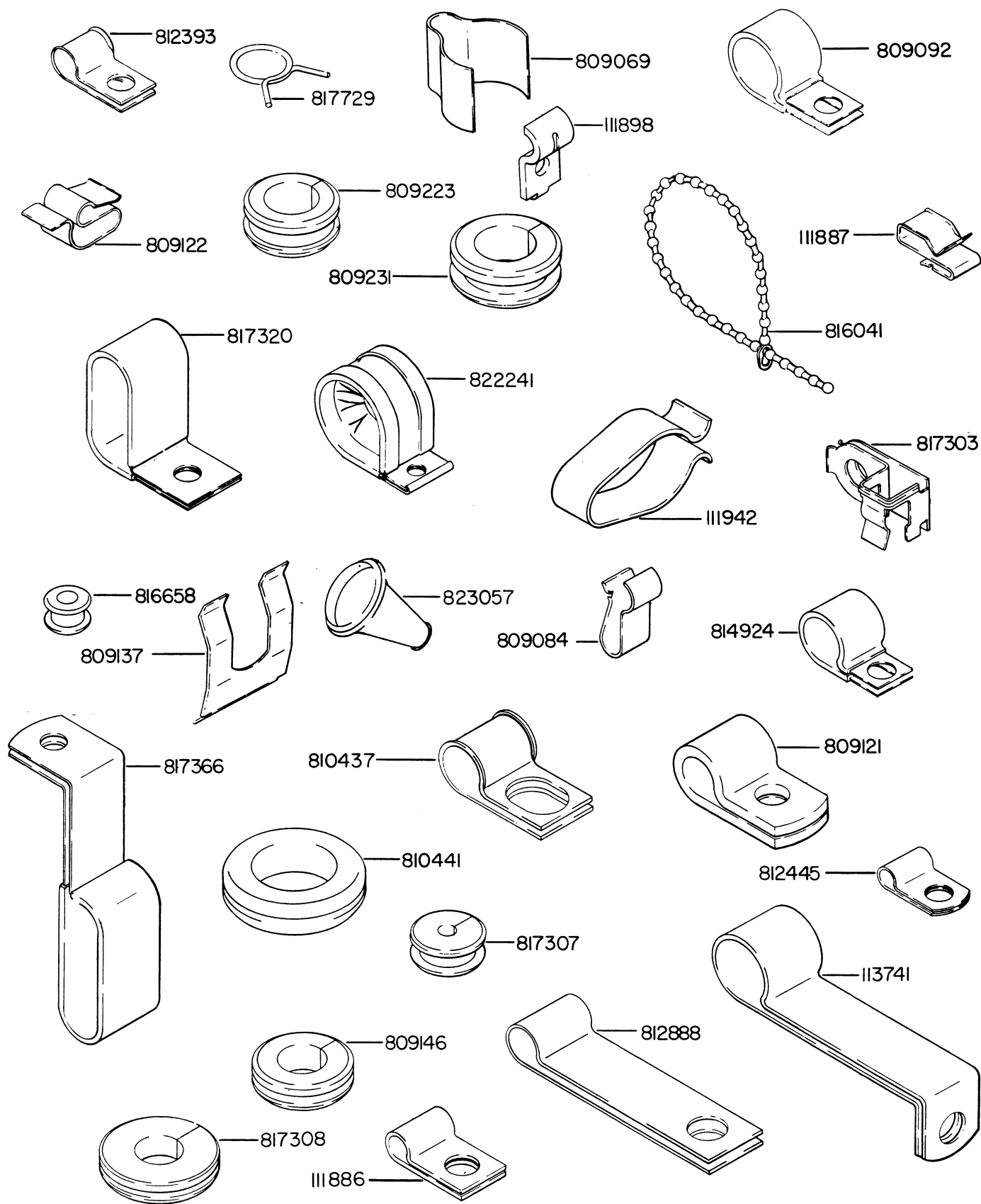
Ref. No.	Part No.	Description	No. Req'd	Ref. No.	Part No.	Description	No. Req'd
1		Tire, 8.50 x 8, obtain locally .....	2	6	821003	Strap .....	2
2	815474	Rim, 8.50 x 8 .....	4	7	800026	Screw, 1/4-20 x 3/4 .....	12
3	814687	Valve .....	1	8	306396	Lockwasher .....	12
4	821002	Fender, flexible .....	2	9	306375	Nut, 1/4-20 .....	12
5	821004	Strap .....	2				



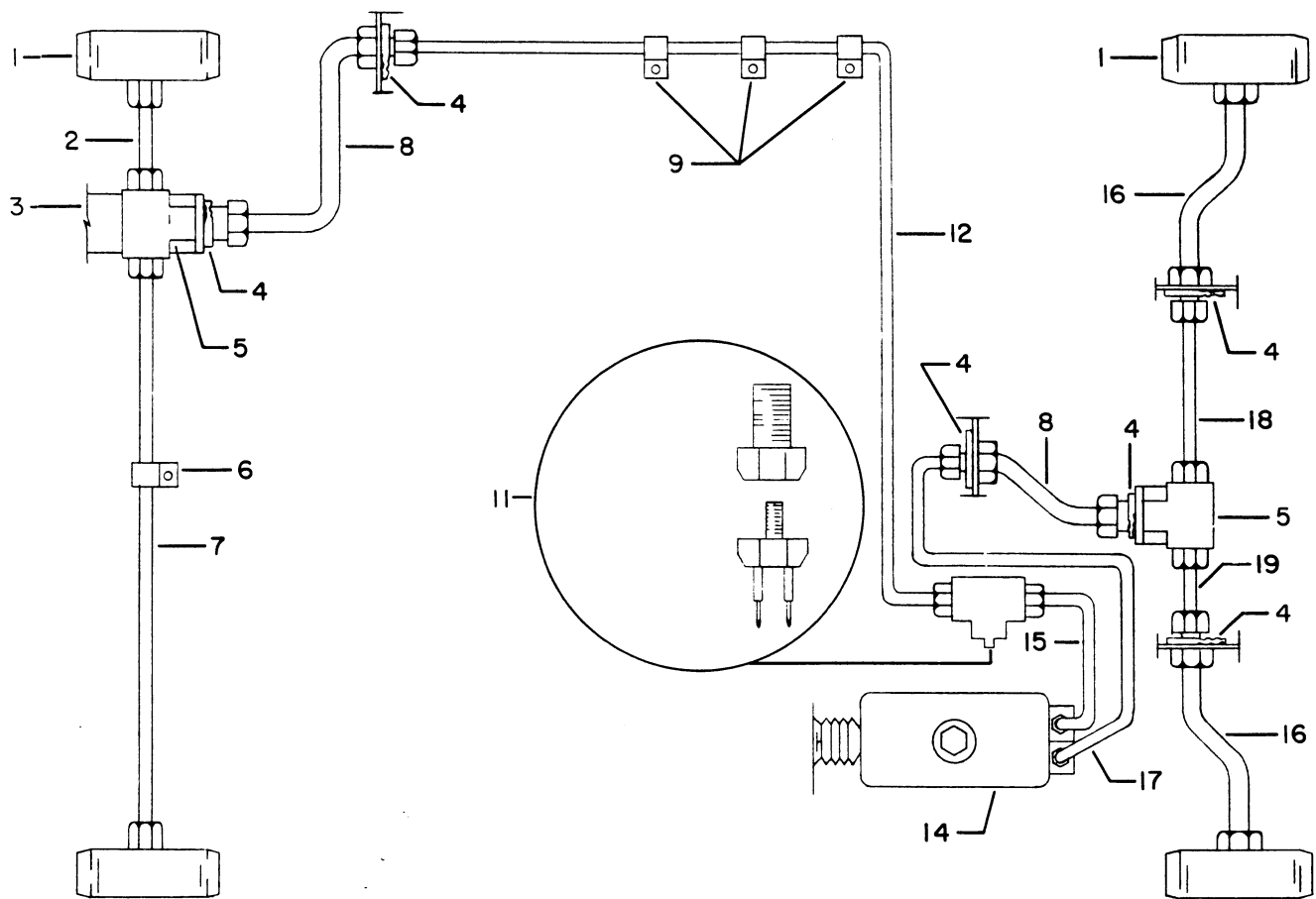


### SHOCK ABSORBER AND HEAVY DUTY SPRINGS

Ref. No.	Part No.	Description	No. Req'd	Ref. No.	Part No.	Description	No. Req'd
	879979	SHOCK SET, REAR .....	1	10	816380	. Spring .....	2
1	880217	. Bracket, upper left .....	1	11	880568	. Bracket, lower right .....	1
2	880218	. Bracket, upper right .....	1	12	880567	. Bracket, lower left .....	1
3	879978	. Bracket, lower left .....	1	13	308332	. Nut, ½-13 .....	4
4	879977	. Bracket, lower right .....	1	14	120166	. Lockwasher, ½.....	4
		FRONT SHOCK SET				HARDWARE PER-SET	
5	807332	Shock Absorber.....	2	15	800294	Nut, 7/16-14 hex. ....	4
	880571	HEAVY DUTY SPRING AND SHOCK SET	1	16	306835	Screw, 3/8-16 x 1¼ .....	8
6	807335	. Shock absorber.....	2	17	120177	Lockwasher, 3/8 .....	8
7	880569	. Bracket, upper left .....	1	18	306562	Nut, 3/8-16 .....	8
8	880570	. Bracket, upper right .....	1	19	810146	Bushing .....	8
9	876660	. Retainer, spring .....	4	20	812666	Washer .....	8

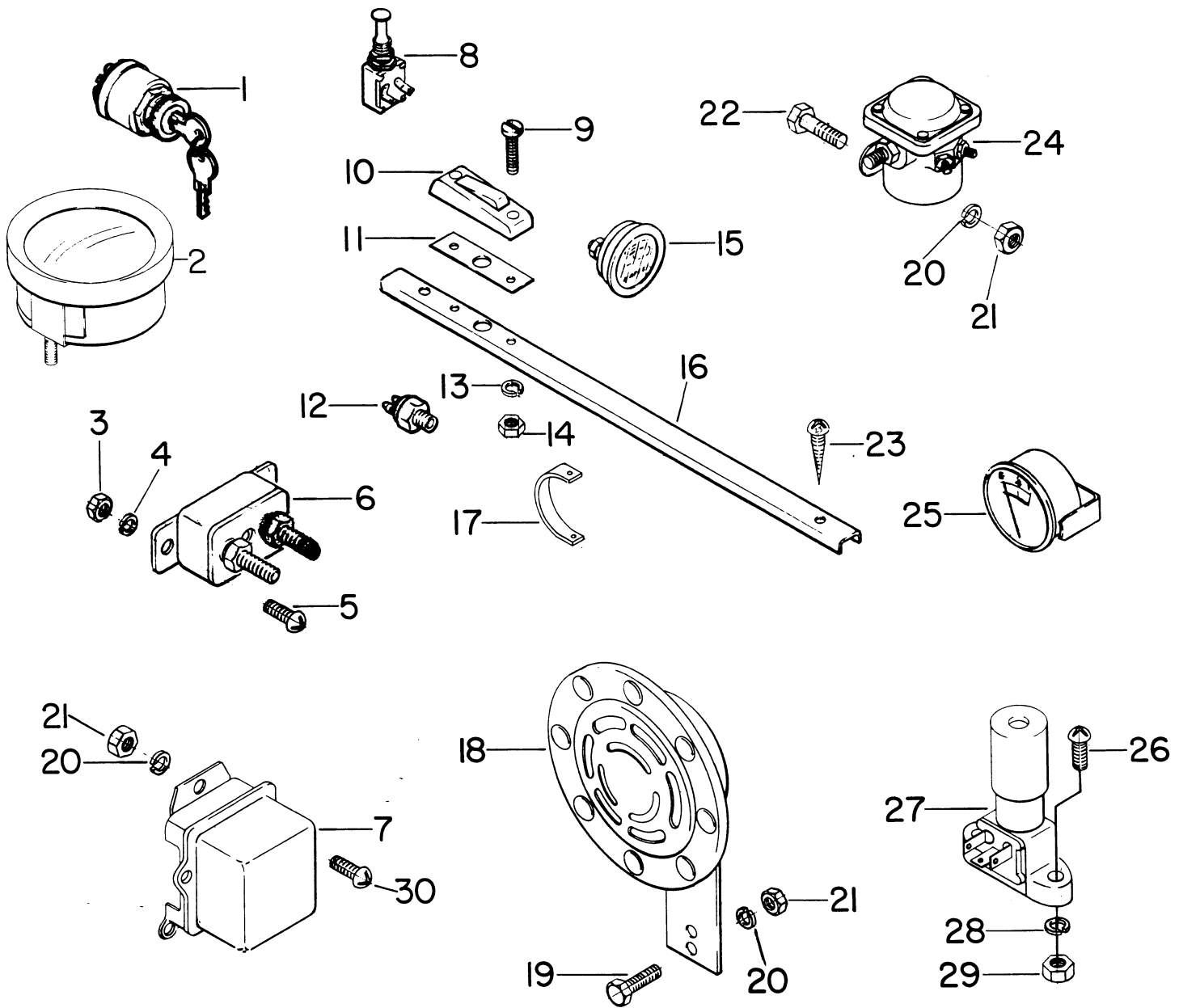


**CLIPS AND GROMMETS**



### HYDRAULIC BRAKE LINES

Ref. No.	Part No.	Description	No. Req'd	Ref. No.	Part No.	Description	No. Req'd
1	807343	Wheel cylinder .....	4	9	812445	Clamp .....	3
2	815421	Tube, left .....	1	11	883046	Switch, stop light .....	1
3	815419	Bracket, coupling.....	1	12	820963	Tube, tee fitting to rear axle .....	1
4	809137	Clip, brake tube .....	6	14	807344	Master cylinder .....	1
5	809426	Tee fitting, rear .....	2	15	820956	Tube, master cylinder to tee .....	1
6	810435	Clip .....	1	16	817938	Tube, flexible .....	2
7	815422	Tube, right .....	1	17	820957	Tube, master cylinder to front hose	1
8	815429	Tube, flexible, front axle to main frame .....	1	18	820958	Tube, left front axle .....	1
		rear axle to main frame .....	1	19	820959	Tube, right front axle .....	1



### ELECTRICAL COMPONENTS

Ref. No.	Part No.	Description	No. Req'd	Ref. No.	Part No.	Description	No. Req'd
1	882716	Ignition switch .....	1	15	816784	Ammeter .....	1
2	882958	Tachometer.....	1	16	821114	Cover, horn wire .....	1
3	133079	Nut, No. 8-32 .....	2	17	820595	Bar, horn button ground .....	1
4	120122	Lockwasher, No. 8 .....	2	18	817319	Horn .....	1
5	800178	Screw, No. 8-32 x 1/2 .....	2	19	300646	Screw, 1/4-20 x 3/4 .....	2
6	806807	Circuit breaker .....	1	20	306396	Lockwasher, 1/4 .....	7
7	816865	Regulator .....	1	21	306375	Nut, 1/4-20 .....	5
8	817310	Switch, light .....	1	22	306487	Screw, 1/4-20 x 5/8 .....	2
9	311492	Screw, No. 4-40 x 1/2 .....	1	23	800334	Screw, No. 10A x 3/4 .....	2
		or		24	813839	Solenoid .....	1
	315580	Screw, No. 4-40 x 5/8 .....	1	25	814430	Fuel gauge .....	1
10	820533	Horn button .....	1	26	800215	Screw, No. 10-24 x 5/8 .....	2
11	820530	Insulator, horn button .....	1	27	817309	Switch, dimmer .....	1
12	806825	Switch, stop light .....	1	28	120052	Lockwasher, No. 10 .....	2
13	308403	Lockwasher, No. 4 .....	2	29	306531	Nut, No. 10-24 .....	2
14	311410	Nut, No. 4-40 .....	2	30	800026	Screw, 1/4-20 x 3/4 .....	3

**POWER TAKE-OFF OPERATING INSTRUCTIONS**

**CAUTION** MACHINE MUST BE STOPPED AND CLUTCH PEDAL DE-PRESSED TO ENGAGE PTO

[FOR STATIONARY USE]

(1) AFTER ENGAGING PTO PULL UP HAND THROTTLE KNOB AS FAR AS POSSIBLE USE FOOT THROTTLE AS AN AID IF HAND THROTTLE PULLS HARD.

(2) MOVE GOVERNOR CONTROL LEVER TO DESIRED RPM SETTING (NOTE: CLUTCH MUST BE EN-GAGED TO OPERATE PTO.) TO SLOW ENGINE DOWN, MOVE GOVERNOR CONTROL LEVER OPPOSITE DIRECTION.

[FOR USE WHILE DRIVING]

(1) AFTER ENGAGING PTO, SET GOVERNOR CONTROL LEVER TO DESIRED RPM.

(2) PUT MACHINE IN DESIRED GEAR AND DEPRESS FOOT THROTTLE ALL THE WAY. PTO WILL OPERATE AT DESIRED RPM. (NOTE: HAND THROTTLE CAN BE USED FOR THIS PURPOSE, ALSO.)

816068

**AUXILIARY TRANSMISSION**

PUSH LEVER FORWARD FOR LOW RANGE

817398

**POWER TAKE-OFF**

PUSH LEVER FORWARD TO ENGAGE P.T.O.

817370



817759

**WARNING ALTERNATOR - BATTERY SERVICE**

1. THIS IS A NEGATIVE GROUND SYSTEM. REVERSING BATTERY CONNECTION WILL DAMAGE ALTERNATOR RECTIFIER.
2. BOOSTER BATTERIES USED FOR STARTING MUST BE CONNECTED WITH PROPER POLARITY
3. BATTERY CABLES SHOULD BE DISCONNECTED BEFORE USING A "FAST CHARGER".

816991

816991

**CAUTION**

THIS VEHICLE IS EQUIPPED WITH A HYDRAULIC OPERATED BOX. DURING OPERATION STAY CLEAR OF BOX AND OPERATING MECHANISM

823152

**WARNING**

- APPLY HAND BRAKE OR FOOT BRAKE - PARKING BRAKES ARE NOT AUTOMATICALLY APPLIED

822819

**HAND PUMP OPERATION INSTRUCTIONS**

ROTATE PUMP VALVE LEVER CLOCKWISE BEFORE RAISING BOX  
 ROTATE PIVOT BRACKET CLOCKWISE TO INSTALL JACK HANDLE IN PUMP. RAISE BOX. TO LOWER BOX, SLOWLY MOVE PUMP VALVE LEVER COUNTER - CLOCKWISE  
 REMOVE JACK HANDLE AND PLACE IN BRACKET PROVIDED BEFORE MOVING VEHICLE

823257

823257

THIS UNIT IS NOT A MOTOR VEHICLE WITHIN THE DEFINITION OF THE NATIONAL TRAFFIC MOTOR VEHICLE SAFETY ACT. IT IS NOT DESIGNED OR MANUFACTURED FOR USE ON ROADS, STREETS, AND HIGHWAYS, NOR IS IT APPROPRIATE FOR SUCH USE. IT IS NOT MEANT TO BE LICENSED AS A MOTOR VEHICLE.

822819

**OMC ENGINE**  
 SERVICE WITH 111316 REPLACEMENT ELEMENT  
**SERVICE INSTRUCTIONS**  
 INSPECT FILTER ELEMENT EVERY 50 HOURS OR 500 MILES, MORE OFTEN UNDER SEVERE DUST CON-DITIONS. REMOVE ELEMENT AND SHAKE OUT ACCUMULATED DIRT IF NECESSARY. INSTALL NEW ELEMENT EVERY 250 HOURS OR 2500 MILES, MORE OFTEN UNDER SEVERE DUST CONDITIONS

111333

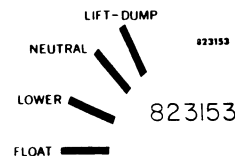
823295

**CAUTION**

THIS LONG BOX MUST NOT BE EQUIPPED WITH MANUAL OPERATED HYDRAULIC SYSTEMS

823295

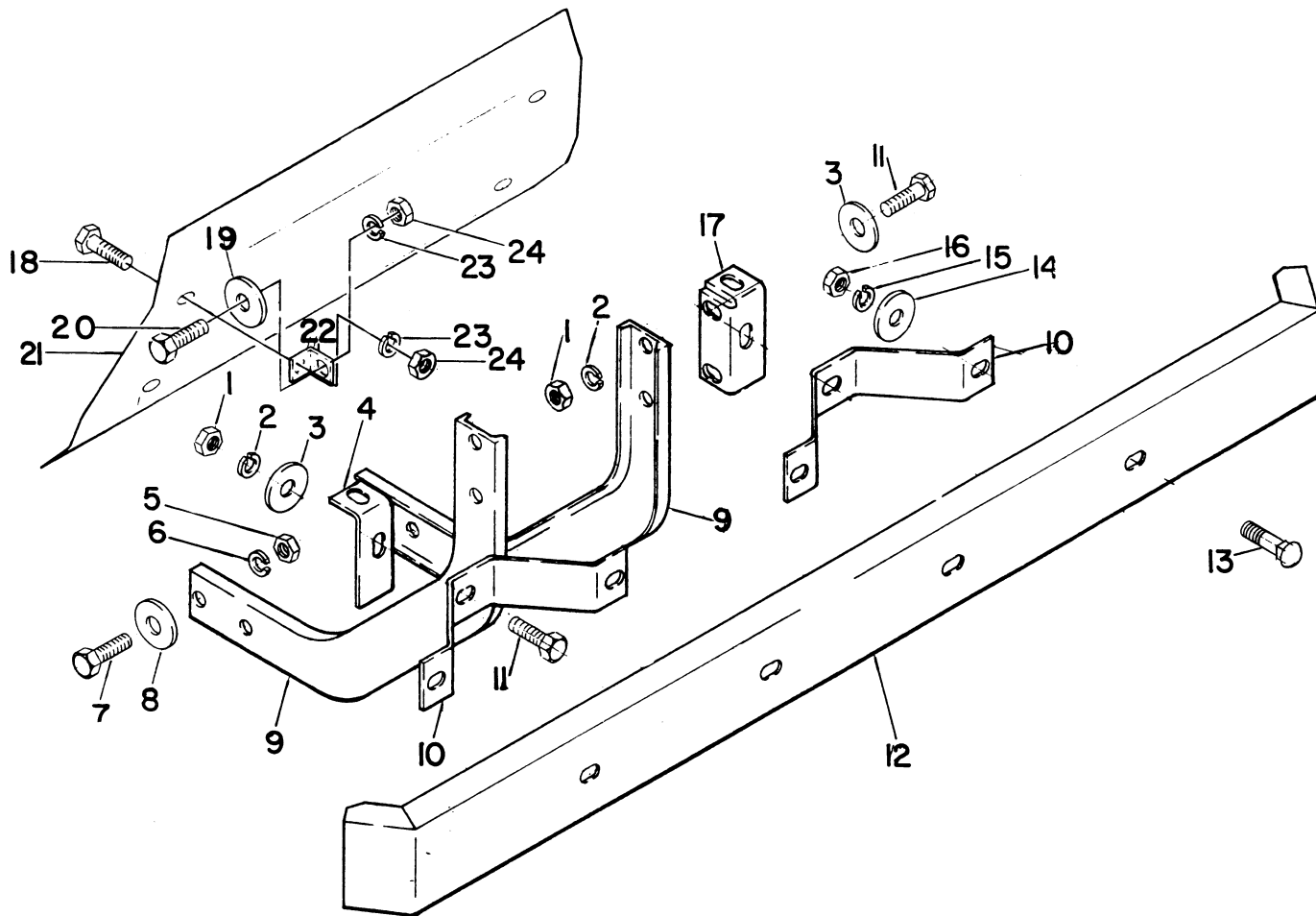
**HYDRAULIC PUMP CONTROL POSITIONS**



823153

823153

**DECALS**

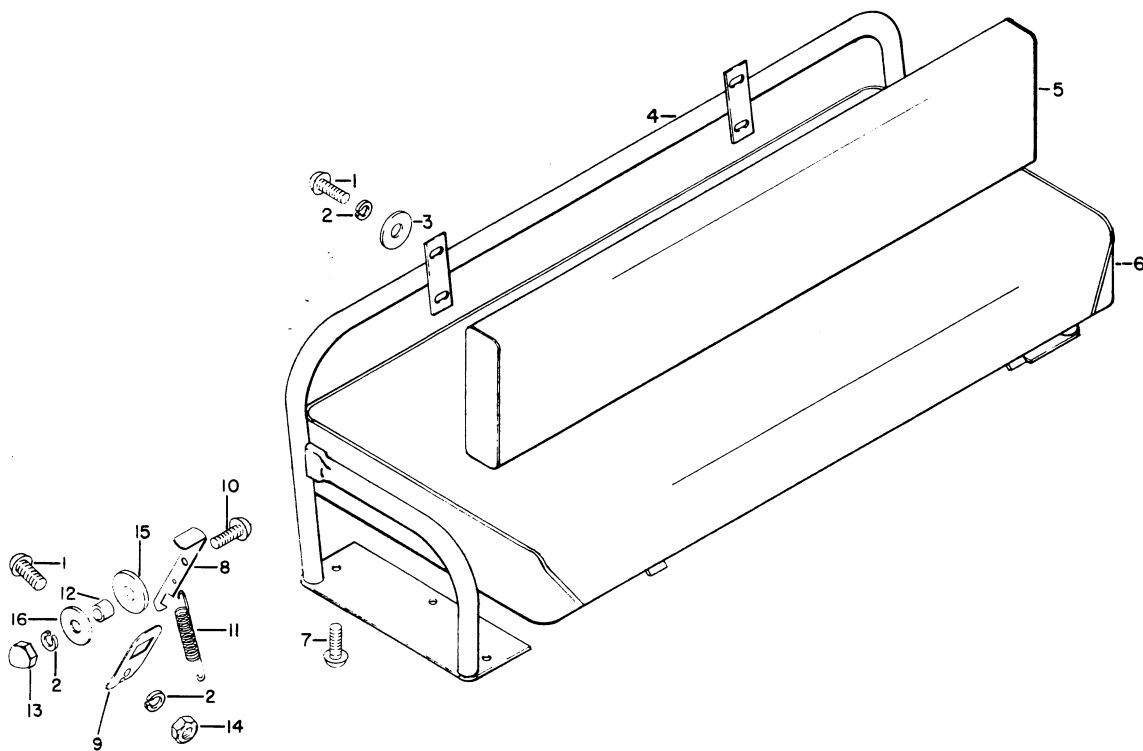
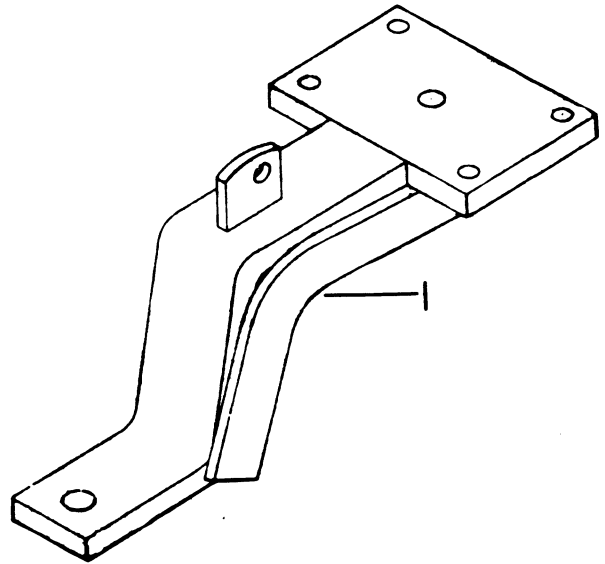


### FRONT BUMPER

Ref. No.	Part No.	Description	No. Req'd	Ref. No.	Part No.	Description	No. Req'd
1	306562	Nut, 3/8-16 .....	6	13	800085	Bolt, 5/16-18 x 1 .....	4
2	120177	Lockwasher, 3/8 .....	6	14	103867	Washer, 5/16 .....	4
3	306981	Washer, 3/8.....	6	15	306325	Lockwasher, 5/16 .....	4
4	821000	Bracket, right .....	1	16	306932	Nut, 5/16-18 .....	4
5	301988	Nut, 1/2-20 .....	4	17	821001	Bracket, left .....	1
6	120166	Lockwasher, 1/2 .....	4	18	306487	Screw, 1/4-20 x 5/8 .....	4
7	306875	Screw, 1/2-20 x 1 1/2 .....	4	19	308090	Washer, 1/4 .....	4
8	308091	Washer, 1/2 .....	4	20	300646	Screw, 1/4-20 x 3/4 .....	4
9	820998	Support, front bumper .....	2	21	821056	Shield .....	1
10	820997	Bracket, front bumper .....	2	22	816187	Bracket .....	4
11	306414	Screw, 3/8-16 x 1 .....	6	23	306396	Lockwasher, 1/4 .....	8
12	820996	Bumper, front .....	1	24	306375	Nut, 1/4-20 .....	8

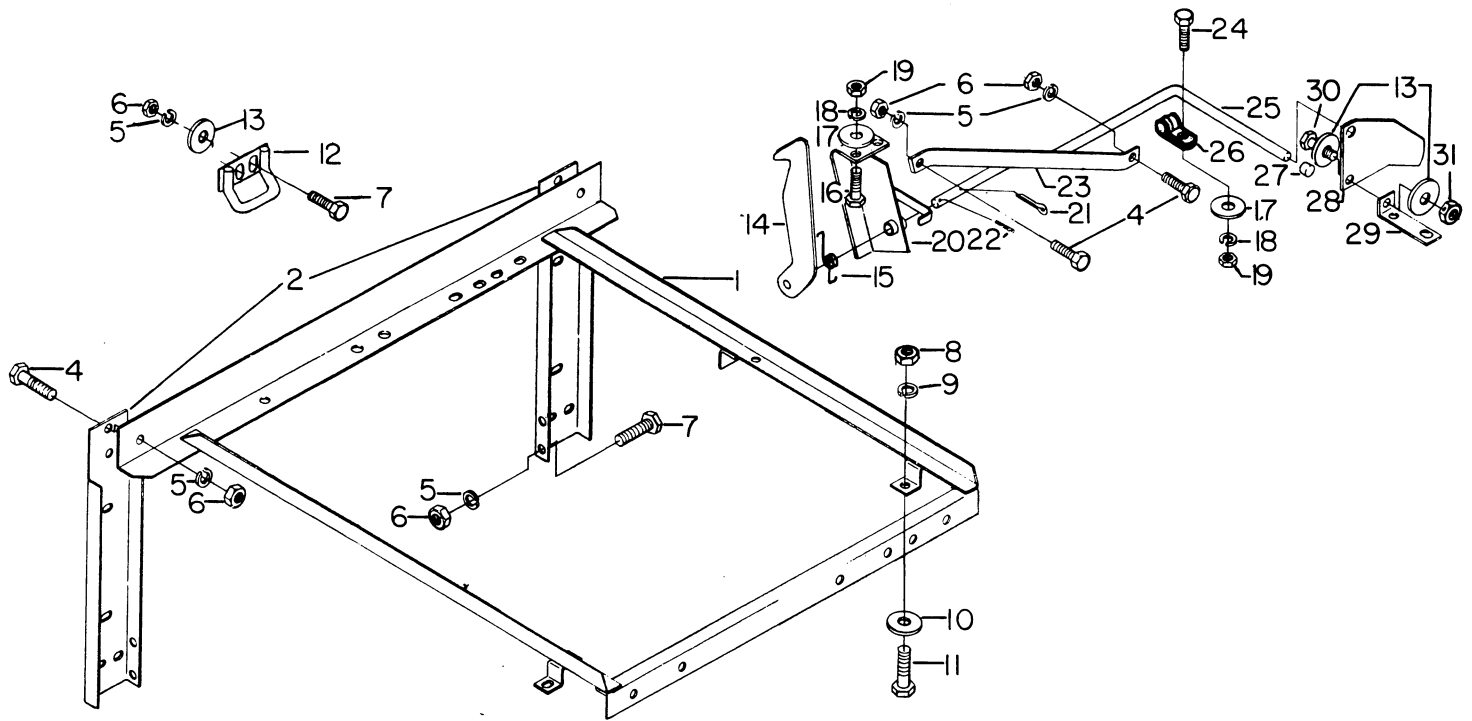
## TOW HITCH

Ref. No.	Part No.	Description	No. Req'd
1	883012	Tow Hitch .....	1



## SEAT

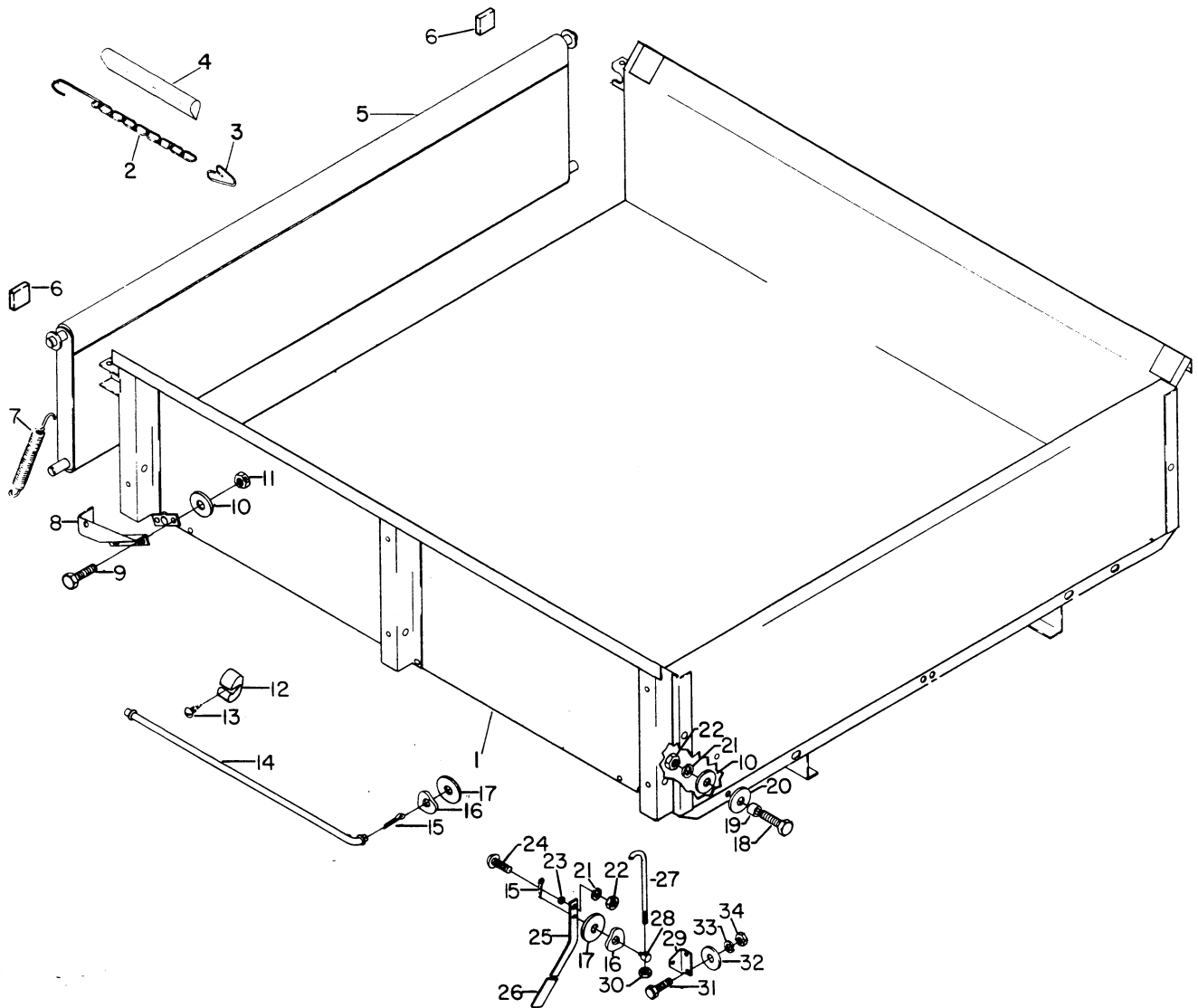
Ref. No.	Part No.	Description	No. Req'd	Ref. No.	Part No.	Description	No. Req'd
1	800019	Screw, ¼-20 x ½ P.T.H. ....	8	9	820725	Bracket, seat latch .....	2
2	306396	Lockwasher, ¼ .....	10	10	800218	Screw, ¼-20 x 1¼ P.T.H. ....	2
3	308090	Washer, ¼ plain .....	4	11	810381	Spring .....	2
4	882065	Frame, backrest .....	1	12	805254	Bushing .....	2
5	882125	Backrest, complete .....	1	13	800037	Nut, acorn, ¼-20 .....	2
6	882124	Seat, complete .....	1	14	306375	Nut, ¼-20 hex. ....	4
7	800026	Screw, ¼-20 x ¾ P.T.H. ....	6	15	800322	Washer, wave, 5/16 .....	2
8	820739	Latch, right .....	1	16	809138	Washer .....	2
		or					
	820897	Latch, left .....	1				



### CHASSIS

Ref. No.	Part No.	Description	No. Req'd	Ref. No.	Part No.	Description	No. Req'd
1	882921	Chassis frame .....	1	17	308090	Washer, ¼ .....	3
2	816736	Upright .....	2	18	306396	Lockwasher, ¼ .....	3
4	306450	Screw, 5/16 .....	8	19	306375	Nut, ¼ .....	3
5	306325	Lockwasher, 5/16 .....	12	20	883056	Support, catch .....	1
6	306932	Nut, 5/16 .....	12	21	306328	Pin, cotter .....	1
7	306416	Screw, 5/16 .....	8	22	306966	Pin, roll .....	1
8	306562	Nut, 3/8 .....	4	23	823263	Support, catch .....	1
9	120177	Lockwasher, 3/8 .....	4	24	306487	Screw, ¼ .....	1
10	306981	Washer, 3/8 .....	2	25	823260	Rod, release .....	1
11	306414	Screw, 3/8 .....	4	26	809092	Clip, rod .....	1
12	883059	Latch, box .....	1	27	819784	Tip, rod .....	1
13	103867	Washer, 5/16 .....	4	28	823294	Bracket, release .....	1
14	883057	Catch, box .....	1	29	823293	Support, release .....	1
15	823259	Spring .....	1	30	306322	Screw, 5/16 .....	1
16	300646	Screw, ¼ .....	2	31	800290	Nut, 5/16 lock .....	1

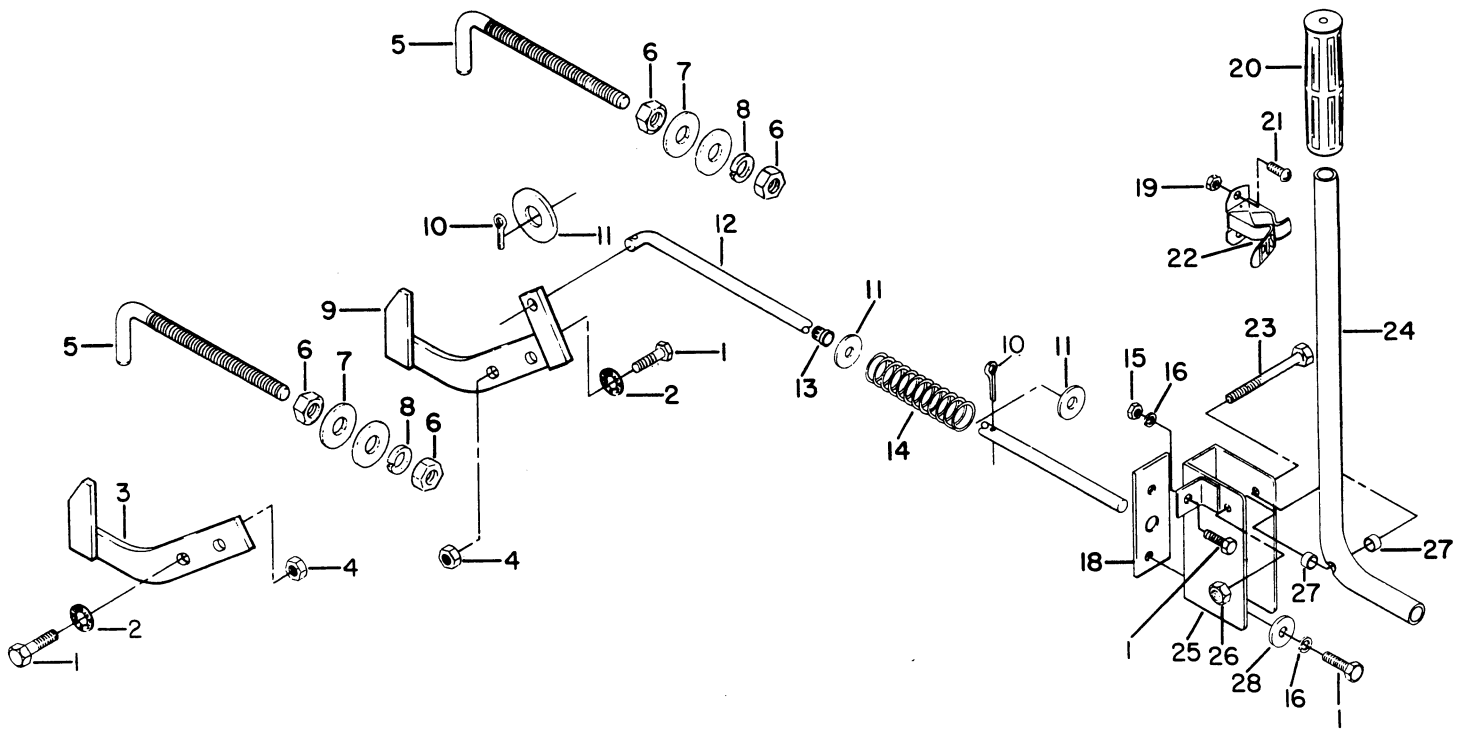




### DUMP BOX

Ref. No.	Part No.	Description	No. Req'd	Ref. No.	Part No.	Description	No. Req'd
1	882955	Dump box, long .....	1	17	306981	Washer, 3/8 .....	3
or	882934	Dump box, short .....	1	18	306435	Screw, 5/16 .....	2
2	820434	-Chain, w/hook .....	2	19	808937	Bushing .....	2
3	808222	-Link, chain to box .....	2	20	809152	Washer .....	2
4	809978	Cover, chain .....	2	21	306325	Lockwasher, 5/16 .....	4
5	881845	Tailgate .....	1	22	306932	Nut, 5/16 .....	4
6	821767	Bumper .....	2	23	823332	Bushing .....	2
7	805447	Spring .....	2	24	800177	Screw, 5/16 PTH .....	2
8	823145	Bracket, lower pivot right .....	1	25	823308	Handle .....	2
and	823146	Bracket, lower pivot left .....	1	26	821696	Grip, handle .....	2
9	306450	Screw, 5/16 .....	4	27	823307	Hook .....	2
10	103867	Washer, 5/16 .....	6	28	817387	Pin, connecting .....	2
11	800290	Locknut, 5/16 .....	4	29	823309	Bracket .....	2
12	820440	Clip, box hold open .....	1	30	306562	Nut, 3/8 .....	2
13	819195	Screw, drive .....	1	31	306487	Screw, 1/4 .....	4
14	823156	Rod, box hold open .....	1	32	308090	Washer, 1/4 .....	4
15	306328	Pin, cotter 3/32 .....	3	33	306396	Lockwasher, 1/4 .....	4
16	800254	Washer, 3/8 wave .....	3	34	306375	Nut, 1/4 .....	4

INDENTED PART NAMES INDICATE THESE PARTS ARE INCLUDED IN PREVIOUS ASSEMBLY



### TAILGATE RELEASE

Ref. No.	Part No.	Description	No. Req'd	Ref. No.	Part No.	Description	No. Req'd
1	306450	Screw, 5/16-18 x 3/4	6	15	306932	Nut, 5/16-18	2
2	304202	Lockwasher, 5/16	4	16	306325	Lockwasher, 5/16	2
3	881943	Latch, right	1	18	882175	Plate, release mounting	1
4	302103	Nut, 5/16-18	4	19	800053	Nut, No. 10-24	2
5	820388	Stop, tailgate	2	20	807472	Grip, handle	1
6	304364	Nut, 7/16-14	4	21	130255	Screw, No. 10-24 x 1/4	2
7	306982	Washer, 7/16	4	22	821304	Holder, snap	1
8	303269	Lockwasher, 7/16	2	23	130167	Screw, 5/16-18 x 2 1/4	1
9	881944	Latch, left	1	24	821157	Handle, release	1
10	306328	Pin, cotter, 3/32 x 3/4	2	25	882177	Bracket, release	1
11	306981	Washer, 3/8	3	26	800290	Lock nut, 5/16-18	1
12	821290	Rod, release	1	27	816612	Bushing	2
13	820316	Bushing	1	28	103867	Washer, 5/16	2
14	820435	Spring	1				

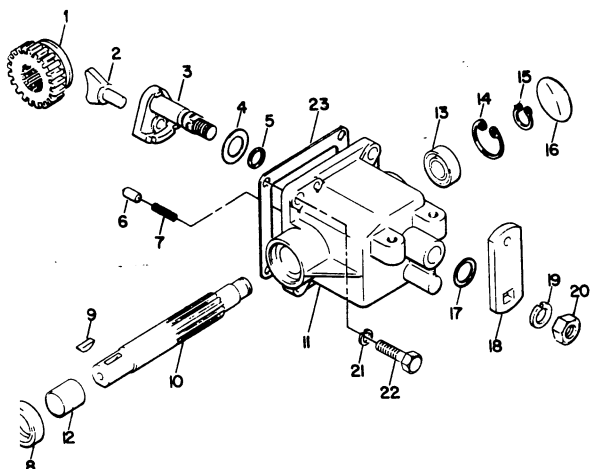
INDENTED PART NAMES INDICATE THESE PARTS ARE INCLUDED IN PREVIOUS ASSEMBLY

P.T.O.

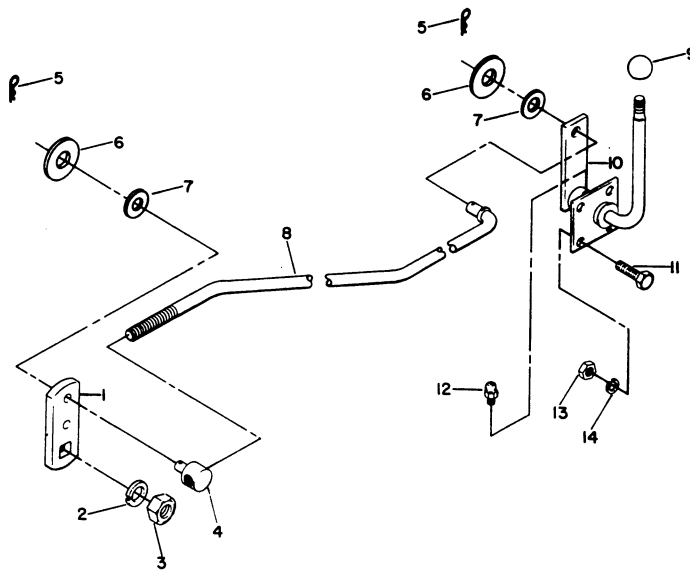
Ref. No.	Part No.	Description	No. Req'd	Ref. No.	Part No.	Description	No. Req'd
	880808	Power Take-Off, less hardware and gasket		12	815186	Bushing, housing	1
1	815182	Gear, sliding	1	13	808082	Bearing, ball	1
2	815085	Fork, shifter	1	14	809260	Snap ring	1
3	879807	Lever, shifter	1	15	809259	Snap ring	1
4	812419	Shim, shifter lever	1	16	800257	Expansion plug, 1 9/16"	1
5	807624	"O" ring	1	17	805307	Shim, .024" thick	*
6	815013	Button, interlock	1	18	817397	Shifter arm	1
7	815012	Spring, interlock	1	19	120166	Lockwasher, 1/2	1
8	815187	Seal, oil shaft	1	20	301988	Nut, 1/2-20	1
9	306367	Key, No. 9 Woodruff	1	21	306325	Lockwasher, 4/16	4
10	815184	Shaft	1	22	307435	Screw, 5/16-18 x 1 1/4	4
11	879808	Housing, w/pins and bushing	1	23	815188	Gasket	1

\*As required

INDENTED PART NAMES INDICATE THESE PARTS ARE INCLUDED IN PREVIOUS ASSEMBLY



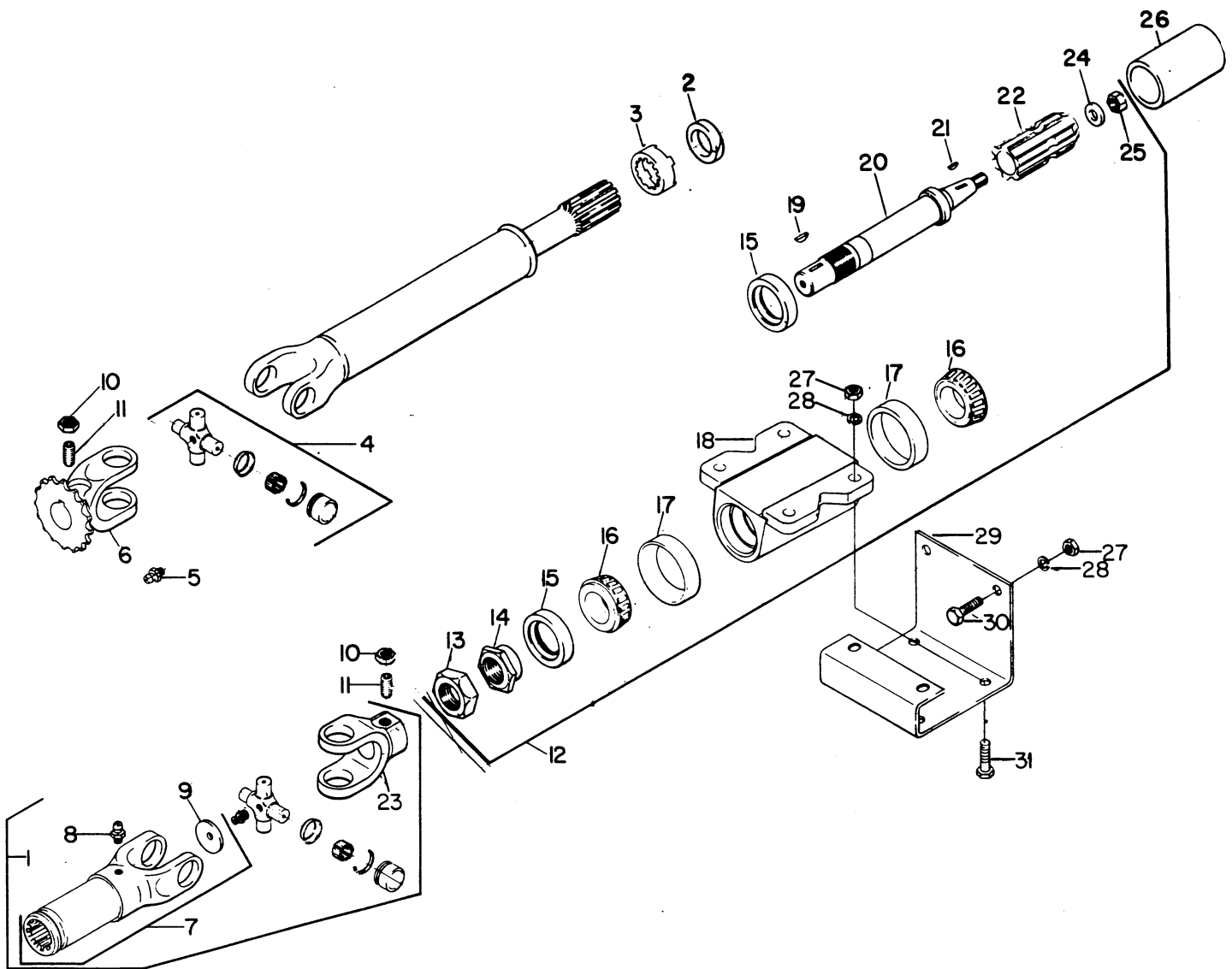
P.T.O.



P.T.O. SHIFTER

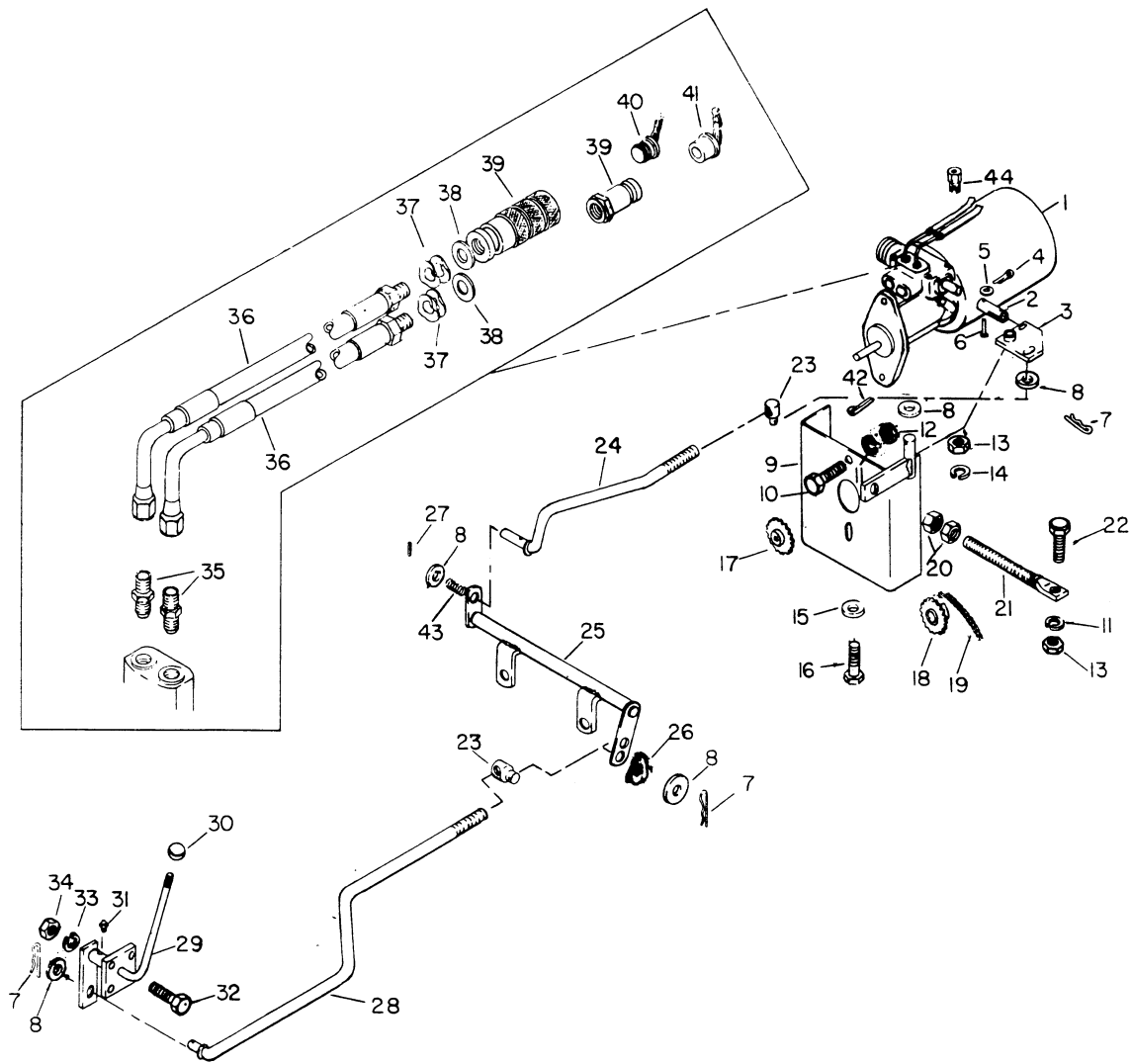
P.T.O. SHIFTER

Ref. No.	Part No.	Description	No. Req'd	Ref. No.	Part No.	Description	No. Req'd
1	817397	Shifter arm, P.T.O.	1	9	812997	Knob, lever	1
2	120166	Lockwasher, 1/2	1	10	880804	Lever, shifter	1
3	301988	Nut, 1/2	1	11	306487	Screw, 1/4	2
4	817387	Connector, rod	1	12	807439	Lubrication fitting, 1/4-28 straight	1
5	821164	Hair cotter pin	2				
6	306981	Washer, 3/8	2	13	306375	Nut, 1/4	2
7	800254	Wave washer	2	14	306396	Lockwasher, 1/4	2
8	818527	Rod, shifter	1				



**P.T.O. SHAFT EXTENSION**

Ref. No.	Part No.	Description	No. Req'd	Ref. No.	Part No.	Description	No. Req'd
1	883006	Drive shaft complete w/sprocket .....	1	14	815814	. Nut, bearing adjusting .....	1
or	883005	Drive shaft complete w/o sprocket .....	1	15	815816	. Seal .....	2
2	817427	. Seal, cork .....	1	16	814473	. Cone, bearing .....	2
3	817336	. Cap, dust .....	1	17	814474	. Cup, bearing .....	2
4	817335	. Universal joint, includes trunnion, bearing, snap ring & lubrication fitting .....	2	18	815812	. Housing, rear bearing .....	1
5	807443	. Lubrication fitting .....	2	19	805874	. Key .....	1
6	883331	. Yoke w/sprocket .....	1	20	880158	. Shaft .....	1
7	817448	. Sleeve w/plug and fitting .....	1	21	551041	. Key .....	1
8	807439	. Lubrication fitting .....	1	22	815802	. Spline, extension .....	1
9	817337	. Plug .....	1	24	815818	. Washer, spline .....	1
23	817747	. Yoke .....	1	25	800292	. Nut, 3/8-16 .....	1
10	304632	Nut, 3/8-16 .....	2	26	816961	Shield, spline .....	1
11	800289	Set screw, 3/8-16 x 3/4 .....	2	27	306562	Nut, 3/8 .....	8
12	880157	Shaft, complete .....	1	28	120177	Lockwasher, 3/8 .....	8
13	800268	. Nut, 1-14 .....	1	29	822956	Support, bearing .....	1
				30	306562	Screw, 3/8 .....	4
				31	306835	Screw, 3/8 .....	4

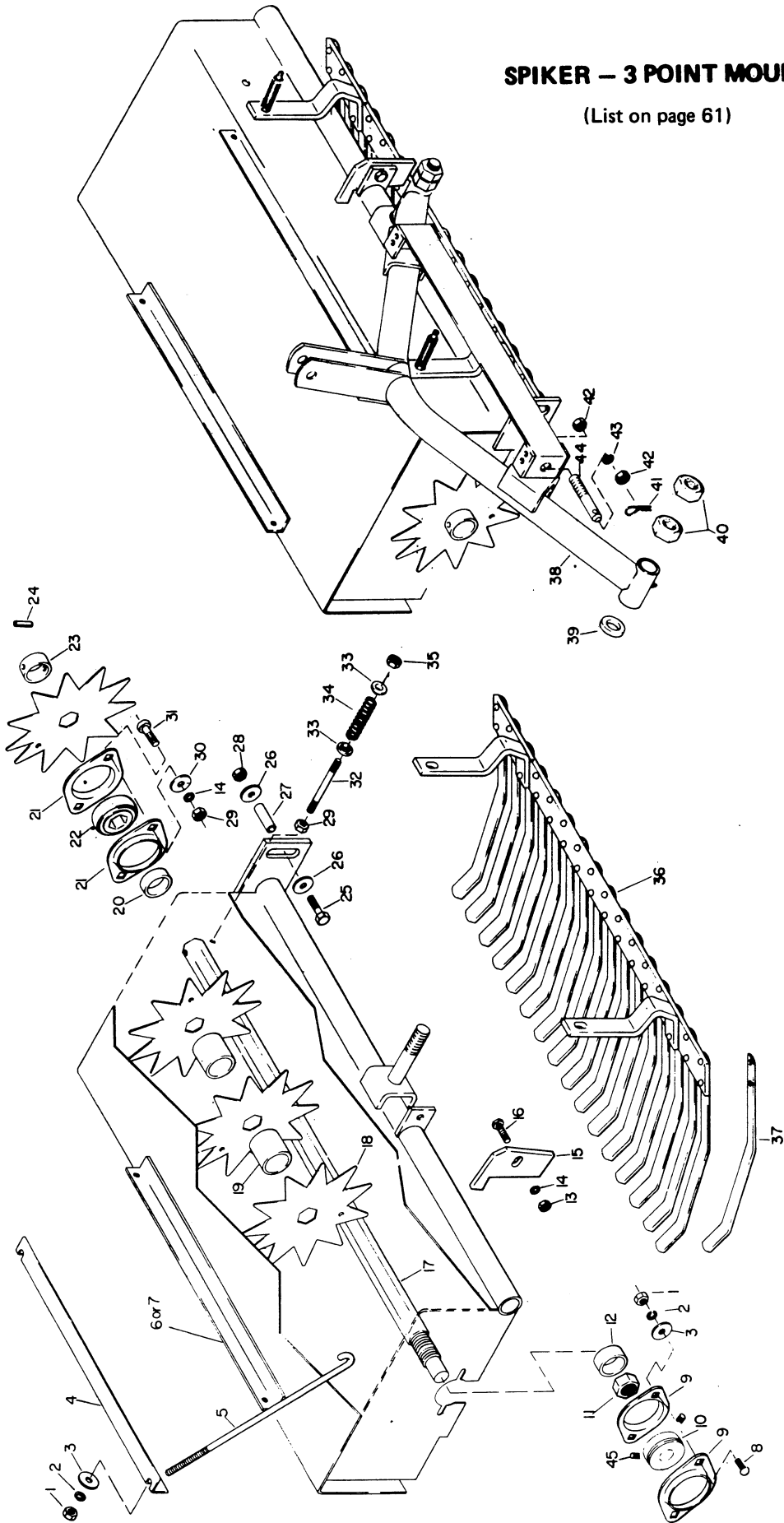


### HYDRAULIC SYSTEM

Ref. No.	Part No.	Description	No. Req'd	Ref. No.	Part No.	Description	No. Req'd
1	883004	Pump assy., hydraulic .....	1	23	817387	Connector .....	2
2	823214	Adapter .....	1	24	823213	Rod, pump to bellcrank .....	1
3	883058	Bracket assy., pump control .....	1	25	883003	Bellcrank .....	1
4	306463	Cotter pin .....	2	26	800254	Washer, wave .....	1
5	308089	Washer .....	2	27	306966	Pin, roll, 1/8 x 3/4" .....	1
6	823225	Pin .....	2	28	823229	Rod, pump control shifter 4-wheel ..	1
7	821164	Hairpin .....	3	29	883060	Lever assembly .....	1
8	306981	Washer .....	5	30	812997	Knob, shifter lever .....	1
9	883055	Support assy., pump mounting .....	1	31	807439	Lubrication fitting .....	1
10	306835	Screw .....	2	32	306487	Screw .....	4
11	120177	Lockwasher .....	3	33	306396	Lockwasher .....	4
12	306562	Nut .....	2	34	306375	Nut .....	4
13	306932	Nut .....	3	35	823118	Connector, straight hydraulic .....	2
14	306325	Lockwasher .....	2	36	823103	Hose, hydraulic pump to frame .....	2
15	103867	Washer .....	2	37	604540	Washer, quick disconnect wave .....	4
16	306416	Screw .....	2	38	308091	Washer, quick disconnect .....	2
17	823097	Sprocket, pump shaft .....	1	39	882995	Coupler assy., quick disconnect .....	1
18	823096	Sprocket, P.T.O. shaft .....	1	40	823076	Plug, coupler .....	1
19	823195	Chain roller pump .....	1	41	823077	Cap, coupler .....	1
20	304364	Nut, chain adj. rod .....	4	42	306328	Pin, cotter .....	1
21	815558	Rod, chain adj. .....	1	43	805408	Spring .....	1
22	306834	Screw .....	1	44	823587	Plug, vented .....	1

# SPIKER - 3 POINT MOUNT

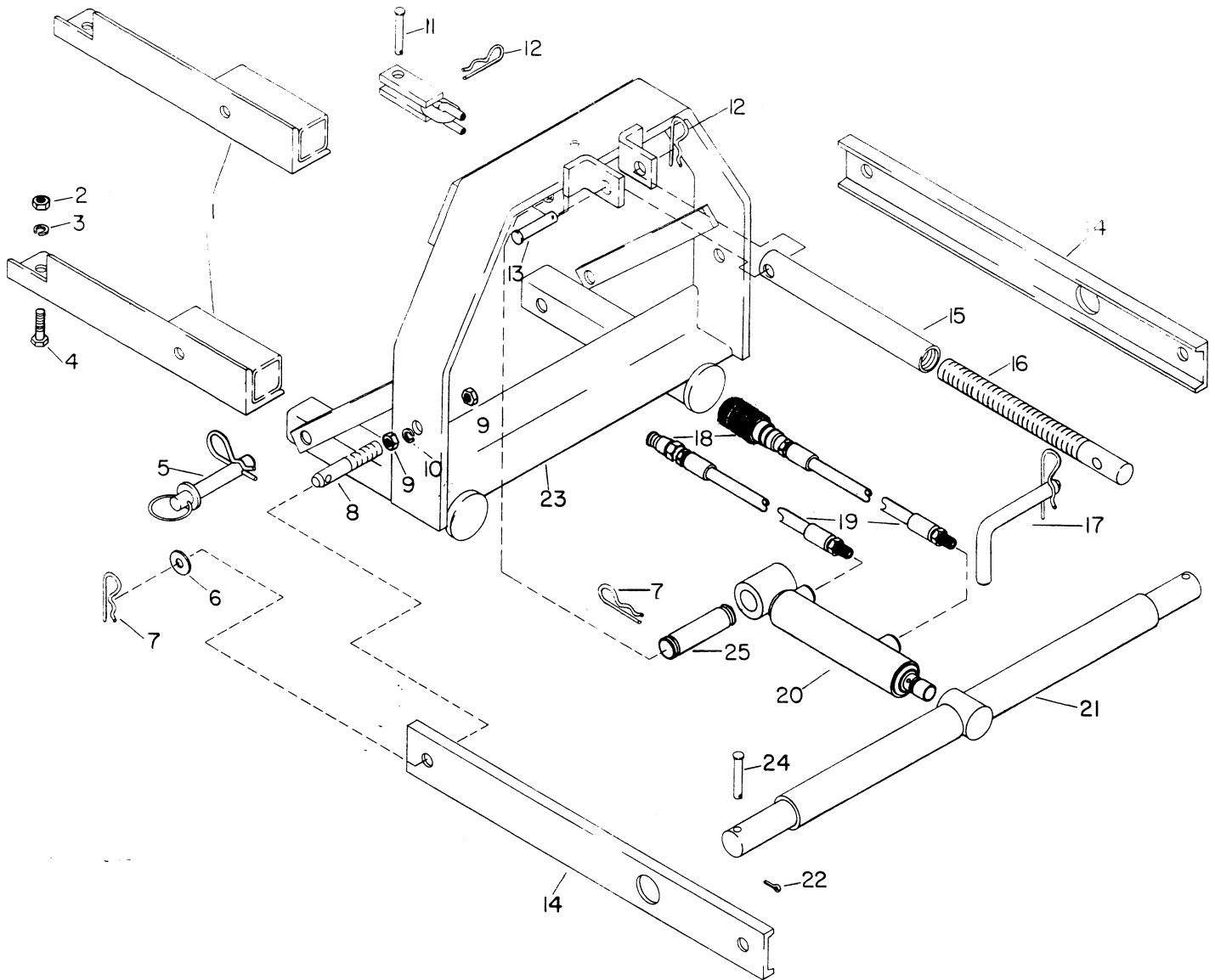
(List on page 61)



### SPIKER – 3 POINT MOUNT

(Illustrated on page 60)

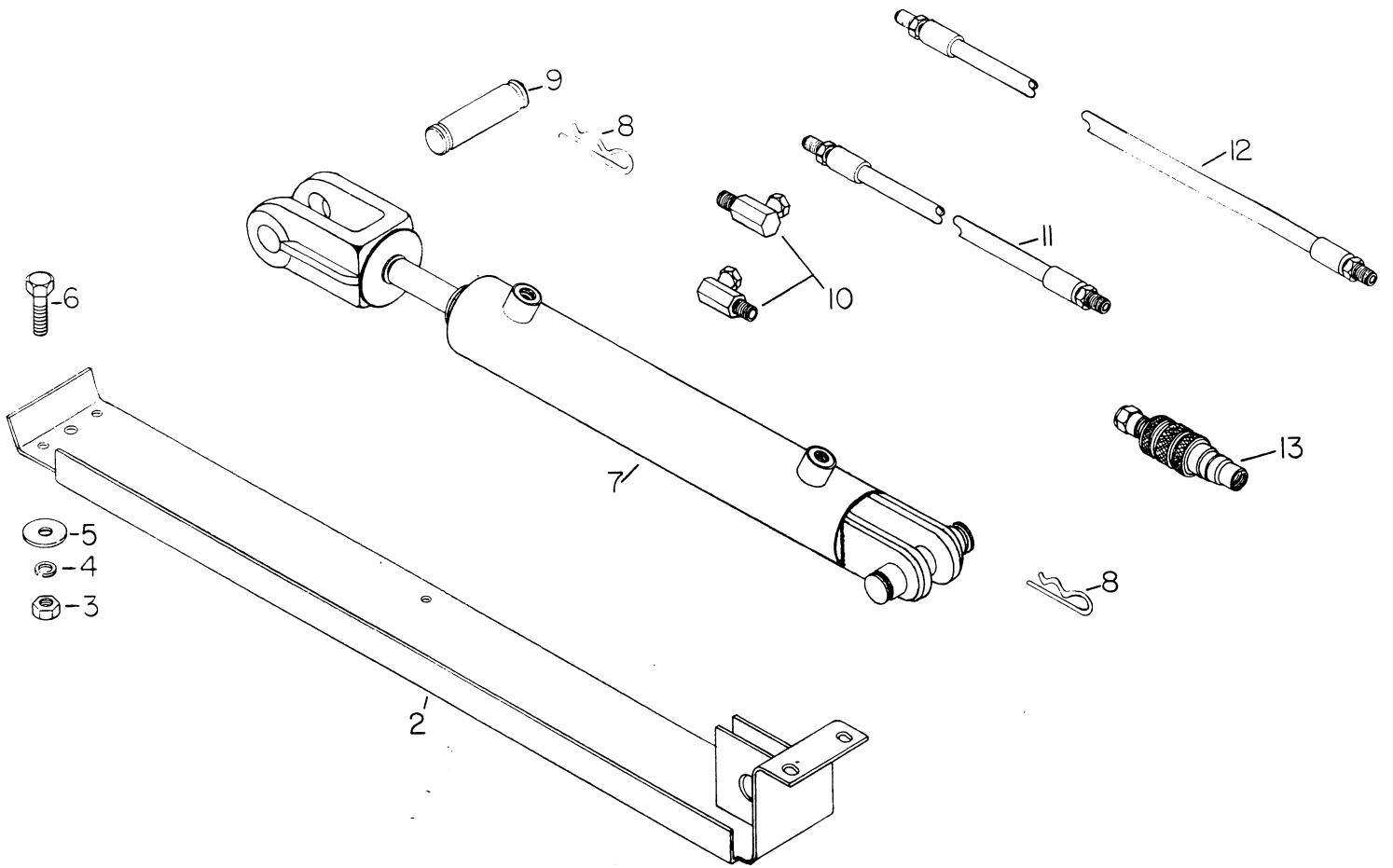
Ref. No.	Part No.	Description	No. Req'd	Ref. No.	Part No.	Description	No. Req'd
	883018	Spiker (3-Point Hitch) Assy. ....	1	22	822637	Bearing, hex. ....	2
	883071	Unit Assembly, right .....	1	23	822606	Collar .....	2
	883072	Unit Assembly, left .....	1	24	307982	Roll pin .....	2
1	306932	Nut .....	10	25	311213	Screw .....	1
2	306325	Lockwasher .....	10	26	306981	Washer .....	2
3	103867	Washer .....	10	27	822711	Bushing .....	1
4	822683	Retainer .....	4	28	800292	Nut .....	1
5	822709	"J" Bolt .....	8	29	306562	Nut .....	6
6	883069	Frame assembly, spiker right .....	1	30	306981	Washer .....	4
7	883070	Frame assembly, spiker left .....	1	31	306414	Screw .....	4
8	800085	Carriage bolt .....	4	32	822668	Stud, turf guard .....	4
9	822628	Flange bearing mounting .....	4	33	516922	Spring, retainer .....	8
10	822630	Bearing with set screws .....	2	34	518509	Spring .....	4
11	800268	Nut .....	2	35	800292	Nut .....	4
12	822617	End spacer .....	2	36	882749	Guard, turf .....	2
13	306562	Nut .....	2	37	822669	Blade, turf guard .....	16
14	120177	Lockwasher .....	6	38	883068	Lift Assembly .....	1
15	822523	Stop, turf guard .....	2	39	816701	Washer .....	2
16	306835	Screw .....	2	40	305134	Nut .....	4
17	822621	Axle .....	2	41	809265	Cotter pin .....	2
18	520180	Disc, spiker .....	34	42	200652	Nut, jam .....	4
19	822598	Spacer .....	30	43	310856	Lockwasher .....	2
20	822620	Spacer .....	2	44	822961	Lift arm pin .....	2
21	822638	Flange, hex. ....	4	45	800099	Set screw .....	4



### 3-POINT HITCH

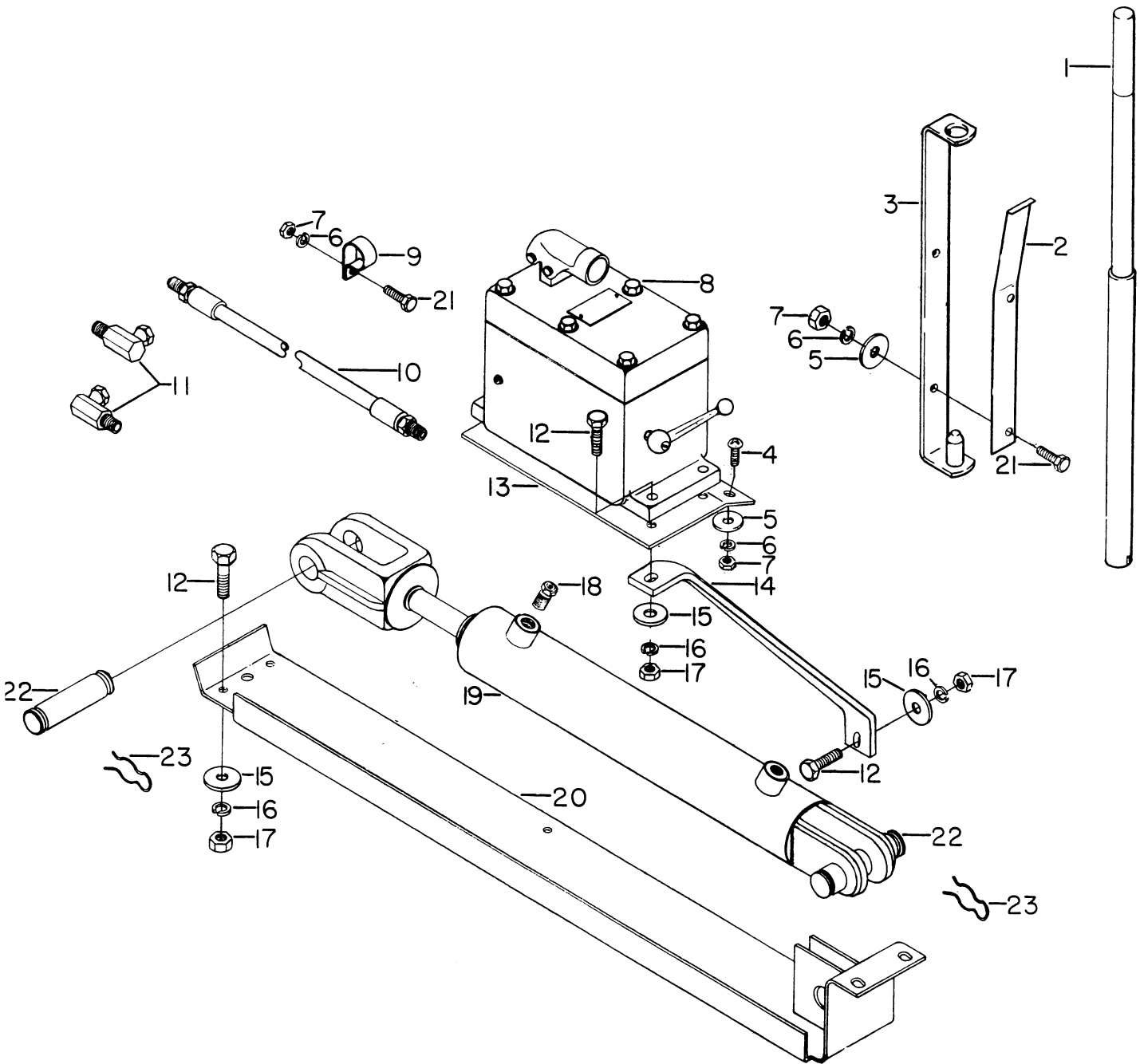
Ref. No.	Part No.	Description	No. Req'd	Ref. No.	Part No.	Description	No. Req'd
	883002	3-Point Hyd. Hitch Set Comp. ....	1	13	817127	Pin .....	1
1	882999	Support assembly hitch .....	2	14	823094	Arms, lower link .....	2
2	304364	Nut .....	3	15	822963	Link mast .....	1
3	303269	Lockwasher .....	3	16	822964	Link mast, adj. ....	1
4	308197	Screw .....	3	17	882933	Pin assembly mast .....	1
5	882770	Pin assembly hitch .....	2	18	882995	Coupling assy. quick disconnect .....	1
6	809156	Washer .....	2	19	823117	Hose hyd. 3-point hitch .....	2
7	809265	Pin, clevis .....	4	20	882994	Cylinder assy. 3-point hitch .....	1
8	822961	Pin, lift arm .....	2	21	883000	Crossmember assy. 3-point hitch .....	1
9	200652	Nut .....	4	22	306372	Pin, cotter .....	2
10	306494	Lockwasher .....	2	23	883001	Frame assy. 3-point hitch .....	1
11	822772	Pin .....	1	24	812478	Pin .....	2
12	822529	Pin, hair .....	2	25	824299	Pin, clevis .....	1





### DUMP CYLINDER

Ref. No.	Part No.	Description	No. Req'd	Ref. No.	Part No.	Description	No. Req'd
	883024	Dump Set Hyd. Cvl. ....	1	7	882993	Cylinder .....	1
2	382909	Support assy., cylinder .....	1	8	809265	Hairpin .....	4
3	306932	Nut .....	4	9	823185	Pin .....	2
4	306325	Lockwasher .....	4	10	823119	Adapter, 90° swivel .....	4
5	103867	Washer .....	4	11	823116	Hose (short) .....	1
6	306416	Screw .....	4	12	823115	Hose (long) .....	1
				13	882995	Coupler, quick disconnect .....	1

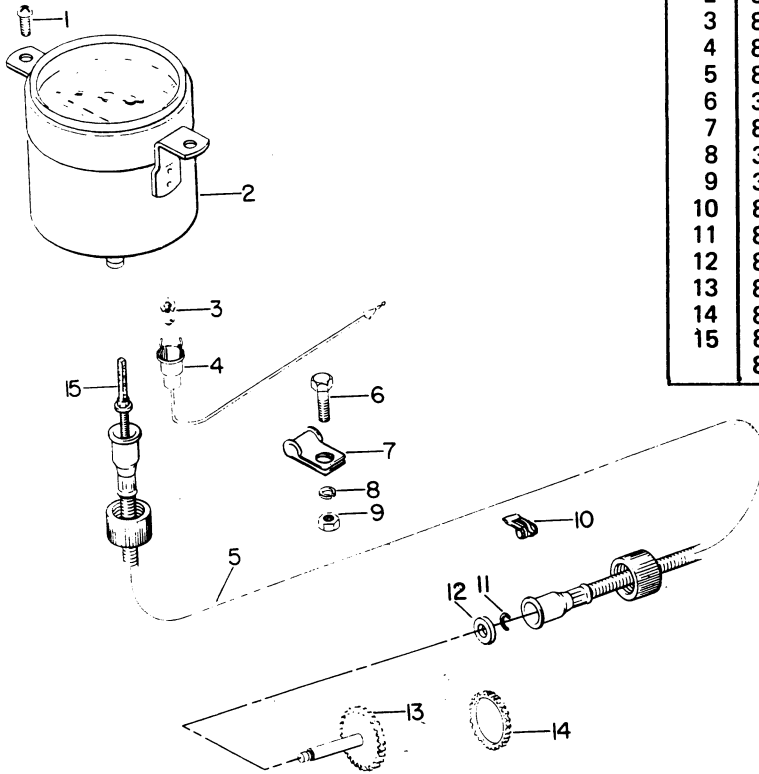


### MANUAL HYDRAULIC DUMP CONTROLS

Ref. No.	Part No.	Description	No. Req'd	Ref. No.	Part No.	Description	No. Req'd
1	882349	Jack Handle .....	1	13	823253	Support, pump .....	1
2	822220	Bracket, holder .....	1	14	823254	Bracket, support .....	2
3	882346	Holder .....	1	15	103867	Washer, 5/16 .....	11
4	300646	Screw, ¼ PTH .....	2	16	306325	Lockwasher, 5/16 .....	11
5	308090	Washer, ¼ .....	2	17	306932	Nut, 5/16 .....	11
6	306396	Lockwasher, ¼ .....	5	18	823255	Plug, breather .....	1
7	306375	Nut, ¼ .....	5	19	882993	Cylinder, hydraulic .....	1
8	883066	Pump, hydraulic .....	1	20	882909	Support, cylinder .....	1
9	809117	Clamp .....	2	21	306487	Screw, ¼ .....	4
10	823115	Hose, hydraulic .....	1	22	823185	Pin .....	2
11	823119	Adapter, 90 degree hyd. swivel .....	2	23	809265	Hair pin .....	4
12	306416	Screw, 5/16 .....	11				

## SPEEDOMETER

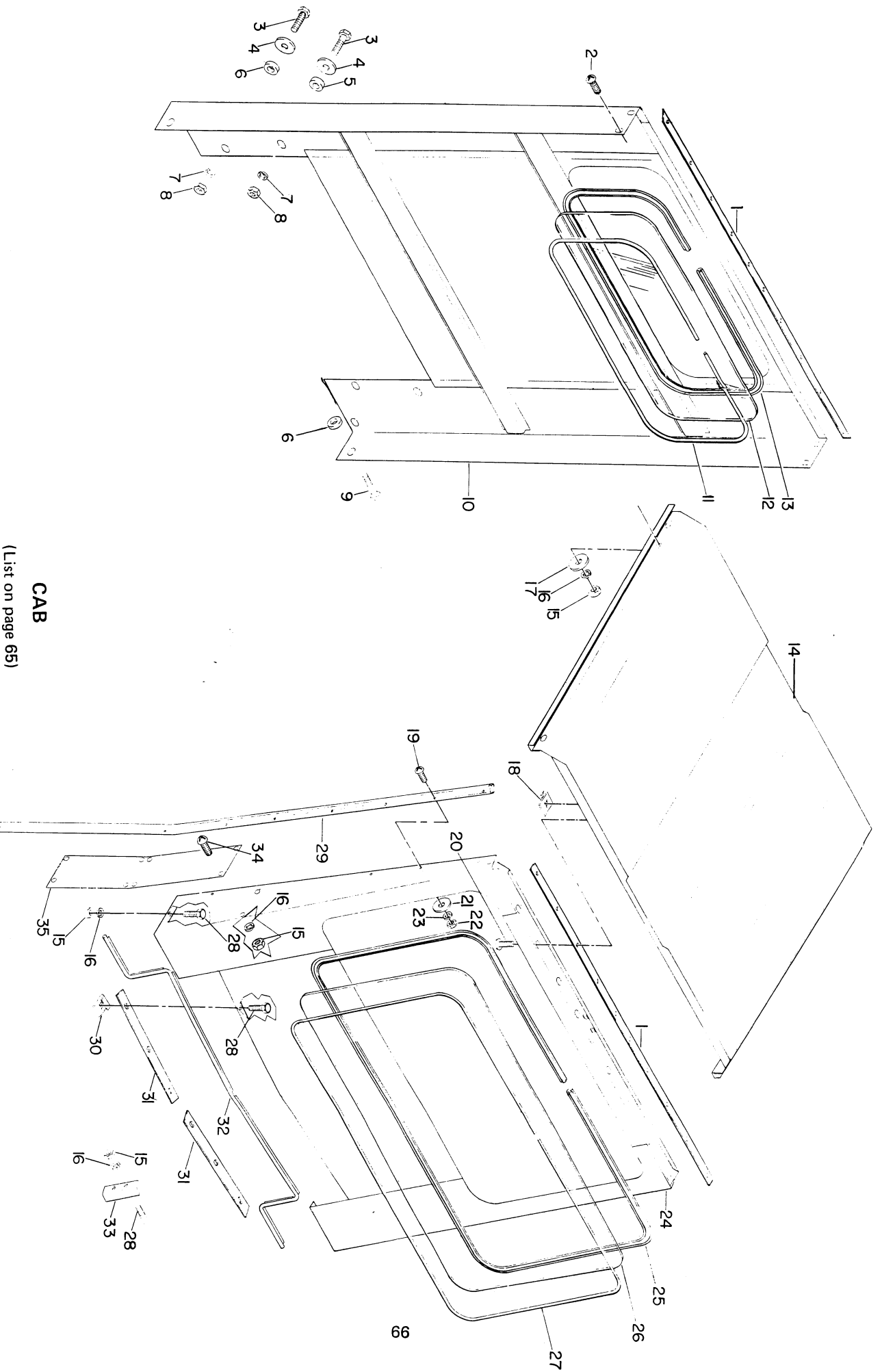
Ref. No.	Part No.	Description	No. Req'd
1	317358	Screw, No. 10-32 x 5/8 truss hd. ....	2
2	880844	Speedometer head .....	1
3	811953	Bulb .....	1
4	817513	Light, harness .....	1
5	821339	Cable assembly, speedometer .....	1
6	306419	Screw, 1/4-20 x 1/2 hex. hd. ....	2
7	809143	Clip .....	2
8	306396	Lockwasher, 1/4 .....	2
9	306375	Nut, 1/4-20 hex. ....	2
10	813840	Clip .....	1
11	809257	Retaining ring .....	1
12	809018	Spacer .....	1
13	821153	Gear, driven .....	1
14	821154	Gear, drive .....	1
15	821342	Core, cable .....	1
	823538	Grommet - not illustrated .....	1



## CAB

(Illustrated on page 66)

Ref. No.	Part No.	Description	No. Req'd	Ref. No.	Part No.	Description	No. Req'd
	882143	Cab set, complete .....	1	20	800327	Screw, No. 14 x 5/8 .....	20
1	820169	Seal, foam, 90" .....	1	21	308089	Washer, No. 10 .....	12
2	306419	Screw, 1/4-20 x 1/2 .....	6	22	306531	Nut, No. 10-24 .....	16
3	306435	Screw, 5/16-18 x 1 1/4 .....	4	23	120052	Lockwasher, No. 10 .....	16
4	103867	Washer, 5/16 .....	4	24	882254	Panel, w/window, front .....	1
5	812644	Spacer, 3/8" .....	2	25	811760	Seal, front .....	1
		(all models except 1/2 ton) ....	2	26	811758	Windshield, front .....	1
6	808975	Spacer, 7/16" (all models) .....	4	27	812468	Strip, filler, front .....	1
7	306325	Lockwasher 5/16 .....	4	28	300646	Screw, 1/4-20 x 3/4 .....	16
8	306932	Nut, 5/16-18 .....	4	29	821115	Post, right side .....	1
9	302030	Screw, 1/4-20 x 1 1/4 .....	2			or	
10	882253	Panel w/window, rear .....	1		821116	Post, left side .....	1
11	812649	Strip, filler, rear .....	1	30	800196	Nut, 1/4 speed .....	6
12	812652	Window, rear .....	1	31	821320	Strip, speed nut mounting .....	2
13	812648	Seal, rear .....	1	32	820716	Seal, panel to hood .....	1
14	882140	Panel, roof .....	1	33	820707	Bracket, panel to hood .....	2
15	306375	Nut, 1/4-20 .....	28	34	800019	Screw, 1/4-20 .....	12
16	306396	Lockwasher, 1/4 .....	28	35	821211	Plate, reinforcement .....	2
17	308090	Washer, 1/4 .....	10	*	875995	Mirror set .....	1
18	800333	Nut, No. 14 speed .....	20	*	878744	Wiper set .....	1
19	800271	Screw, No. 10-24 x 1/2 .....	16				



**CAB**

(List on page 65)

### DRIVE UNIT

(Illustrated on page 68)

Ref. No.	Part No.	Description	No. Req'd	Ref. No.	Part No.	Description	No. Req'd
1	306562	Nut, 3/8 .....	15	24	307665	Nut, 3/4 .....	1
2	120177	Lockwasher, 3/8 .....	15	25	822556	Chain, No. 40 roller .....	1
3	306981	Washer, 3/8 .....	15	26	876431	Link, connector .....	2
4	882724	Retainer set, bearing .....	6	27	822550	Brush .....	1
5	822479	Bearing .....	6	28	120166	Lockwasher, 1/2 .....	2
6	800099	Set screw, 1/4 .....	20	29	130541	Nut, 1/2 .....	1
7	822480	Sprocket, 8 Tooth .....	4	30	823205	Chain, No. 40 roller .....	1
8	309855	Key, No. A Woodruff .....	5	31	306875	Screw, 1/2 .....	1
9	822485	Shaft, conveyer .....	1	32	551094	Screw, 3/8 .....	1
10	551041	Key, No. 6 Woodruff .....	1	33	882698	Idler arm, chain .....	1
11	882693	Conveyer complete .....	1	34	807439	. Lubrication fitting .....	1
12	822493	. Slat, conveyer .....	67	35	805441	Spring .....	1
13	822483	Shaft, idler .....	1	36	808931	Bushing .....	1
14	800073	Bolt, carriage, 3/8 .....	12	37	306416	Screw, 5/16 .....	4
15	822566	Shaft, brush drive .....	1	38	103867	Washer, 5/16 .....	4
16	306367	Key, No. 9 Woodruff .....	2	39	306325	Lockwasher, 5/16 .....	4
17	822534	Sprocket, 12 Tooth .....	2	40	821030	Hairpin .....	6
18	822495	Gear, drive .....	1	41	822491	Gear box complete .....	1
19	882697	Idler gear, conveyer .....	1	42	317754	Key, No. 4 Woodruff .....	2
20	805192	. Bushing .....	2	43	822533	Sprocket, 11 Tooth .....	2
21	807439	. Lubrication fitting .....	1	44	301988	Nut, 1/2 .....	1
22	822565	Sprocket, 18 Tooth .....	2	45	883042	Shaft, PTO extension .....	1
23	312272	Lockwasher, 3/4 .....	1	46	822529	Pin .....	1

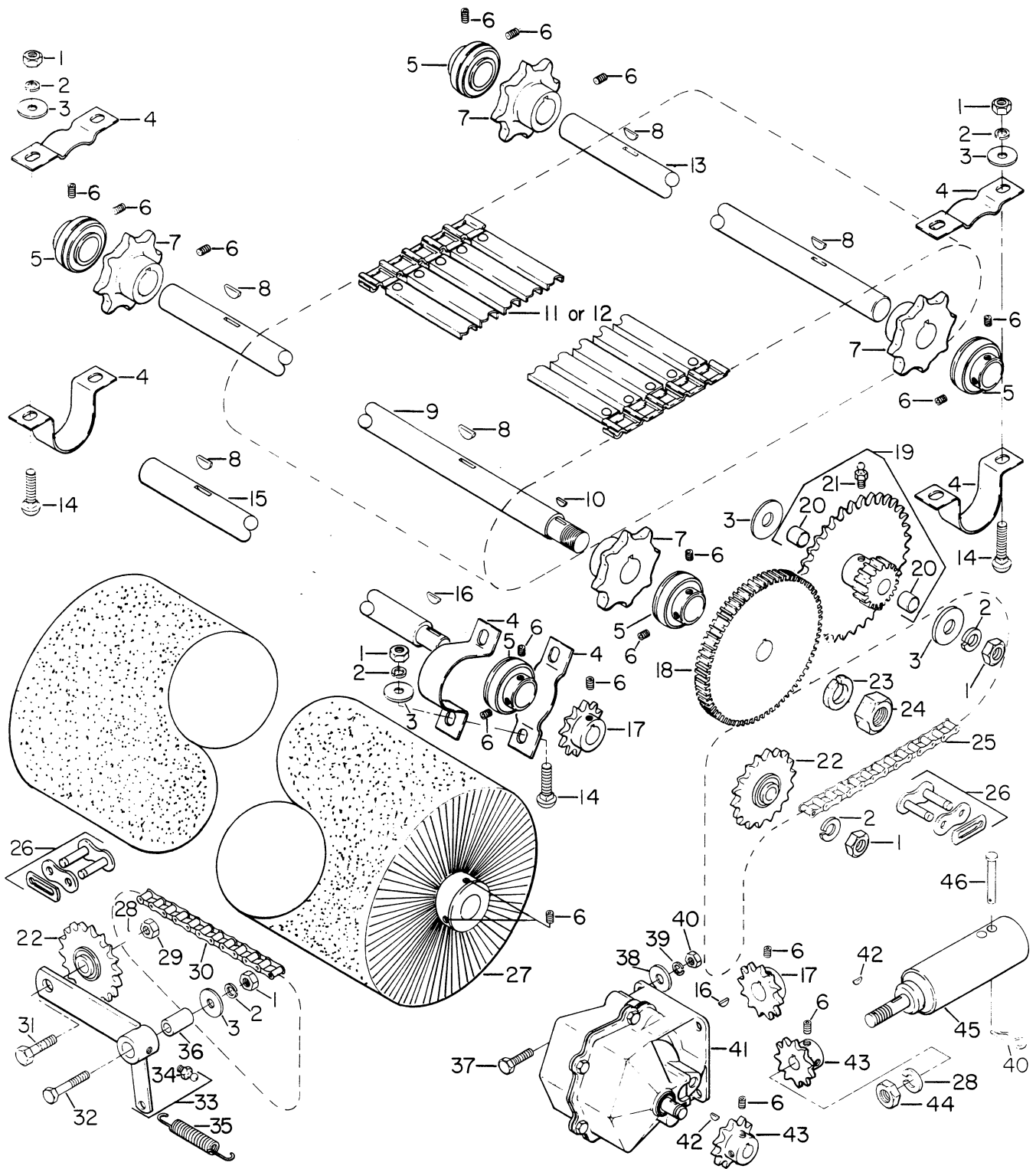
INDENTED PART NAMES INDICATE THESE PARTS ARE INCLUDED IN PREVIOUS ASSEMBLY

### HOPPER AND FRAME

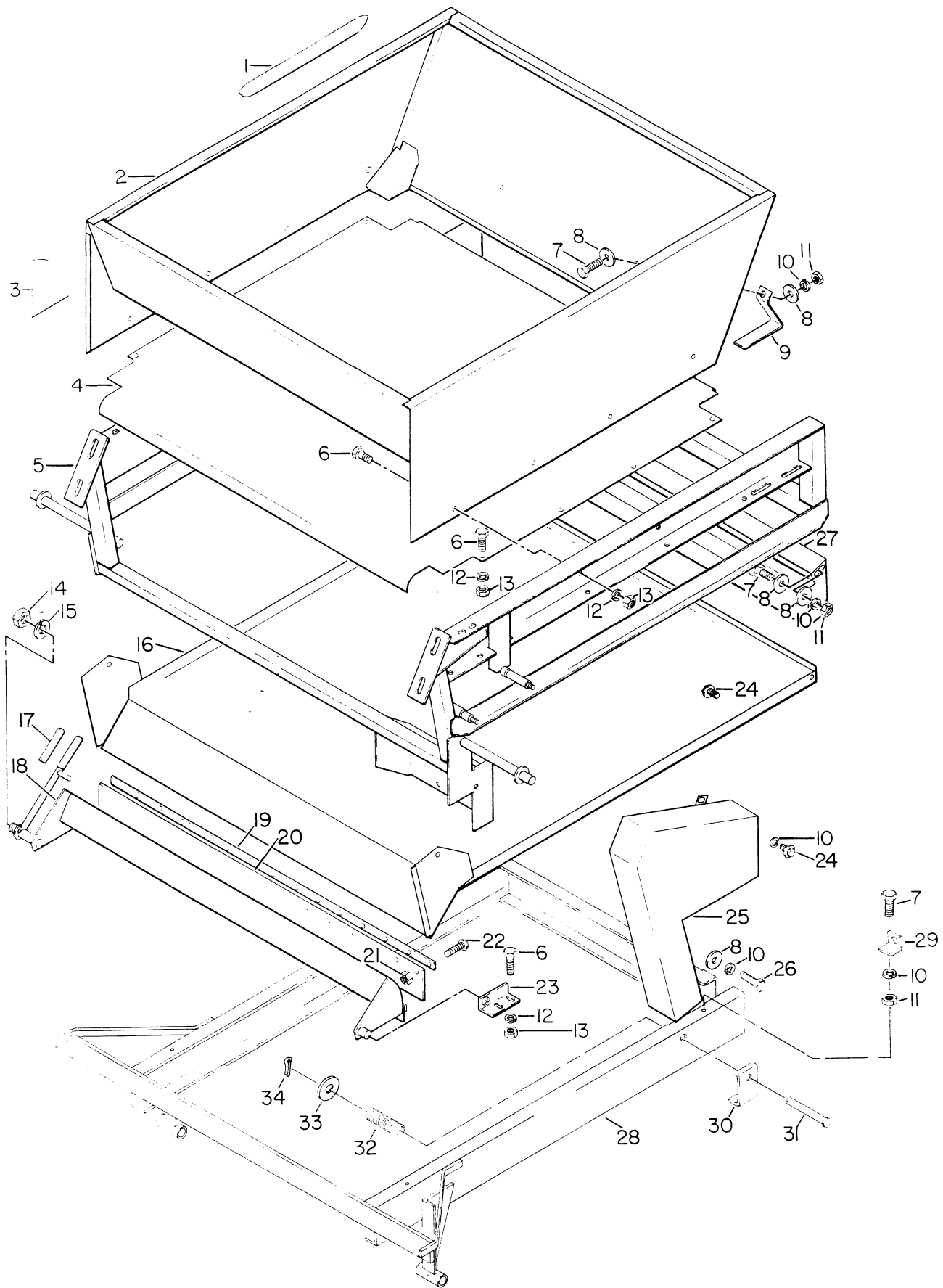
(Illustrated on page 69)

Ref. No.	Part No.	Description	No. Req'd	Ref. No.	Part No.	Description	No. Req'd
1	817251	Decal, Cushman .....	2	18	882694	Gate .....	1
2	882691	Hopper .....	1	19	822487	Retainer, strip .....	1
3	822567	Decal, Metering Gate .....	1	20	822486	Strip, gate .....	1
4	822502	Panel, bottom .....	1	21	800053	Nut, No. 10 .....	15
5	882692	Frame .....	1	22	306401	Screw, No. 10 .....	15
6	306450	Screw, 5/16 .....	20	23	822528	Bracket, gate .....	2
7	306487	Screw, 1/4 .....	6	24	112050	Screw, 1/4 .....	5
8	308090	Washer, 1/4 .....	9	25	882713	Guard, chain .....	1
9	822475	Guide, conveyer .....	2	26	306419	Screw, 1/4 .....	1
10	306396	Lockwasher, 1/4 .....	8	27	882705	Cover, chain .....	1
11	306375	Nut, 1/4 .....	6	28	882956	Frame Assy. Top Dresser Adapter .....	1
12	306325	Lockwasher, 5/16 .....	20	29	816187	Bracket, retaining .....	2
13	306932	Nut, 5/16 .....	20	30	823344	Bracket, frame hold-down .....	1
14	301988	Nut, 1/2 .....	1	31	821030	Pin, frame hold-down .....	1
15	120166	Lockwasher, 1/2 .....	1	32	819508	Spring .....	1
16	882695	Deflector .....	1	33	103867	Washer .....	1
17	821696	Grip .....	1	34	306956	Cotter pin .....	1

INDENTED PART NAMES INDICATE THESE PARTS ARE INCLUDED IN PREVIOUS ASSEMBLY



**TOP DRESSER  
DRIVE UNIT**



**TOP DRESSER  
HOPPER AND FRAME**

