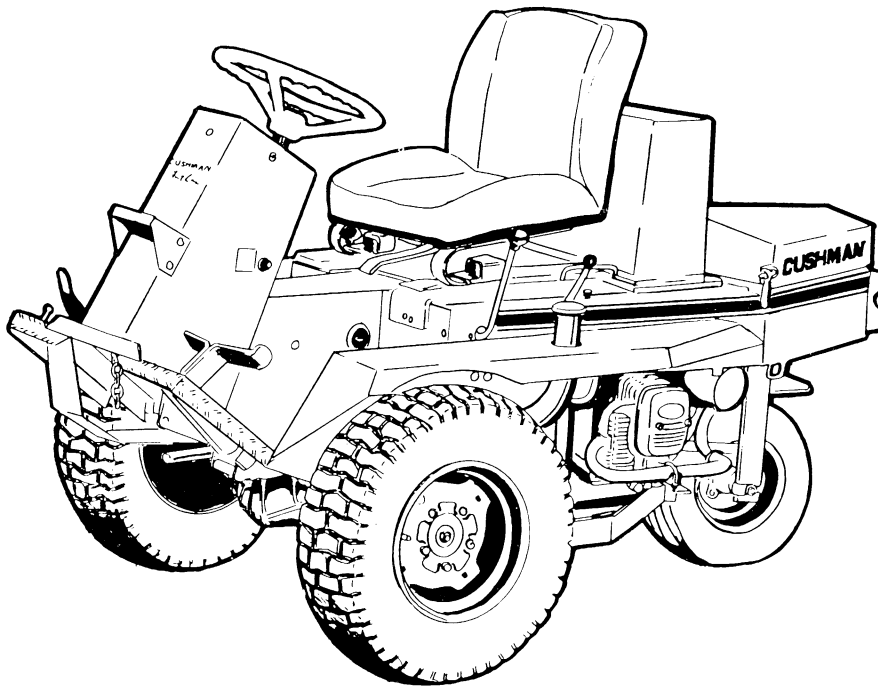




PARTS MANUAL

NOTE

- THIS MANUAL INCLUDES PARTS FOR THE BASIC POWER UNIT, WIRING DIAGRAM AND FACTORY MODIFICATIONS
- REFER TO MANUAL PART NO. 833300 FOR ACCESSORY SETS FOR THE POWER UNIT



FRONT LINE® POWER UNIT

MODEL 898804 – 3 WHEEL
WITH AIR COOLED ENGINE

FRONT LINE®



SAFETY WARNING

- **When replacement parts are required, use genuine Cushman parts or parts with equivalent characteristics including type, strength, and material. Failure to do so may result in product malfunction and possible injury to the operator and/or bystanders.**
- **Illustrations in this manual are a reference guide for parts identification only. Since these illustrations may not depict actual positioning of component parts, they should not be used as an assembly diagram. Doing so may result in improper assembly leading to sudden failure.**

Cushman Inc., A Ransomes Company, reserves the right to make changes at any time, without notice, in specifications and models and also to discontinue models and the accessories designed to be used on these models. The right is also reserved to change specifications or parts at any time without incurring any obligation to equip same on models manufactured prior to date of such change.

While the information contained in this parts manual is based on the latest product information available at the time of publication, the continuing accuracy of this parts manual cannot be guaranteed.

VEHICLE IDENTIFICATION

THESE IDENTIFICATION NUMBERS MUST APPEAR ON ALL CORRESPONDENCE CONCERNING THE VEHICLE.

VEHICLE MODEL NUMBER EARLIER MODELS

The model number and model year are shown on the nameplate attached to the RIGHT side of the vehicle console (See Figure 1).

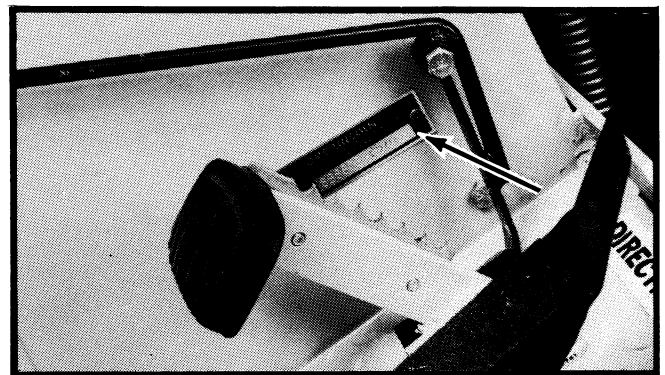
LATER MODELS

The model number, model year and serial number are on

the decal attached to the RIGHT SIDE of the vehicle console. The complete (10) ten digit number is required to identify certain parts. The suffix (9010, 9020 etc.) indicates part changes within a model year (See Figure 2). The model number is also stamped in the RIGHT REAR FRAME MEMBER (See Figure 4).

NOTE

- A new system has been implemented for model identification of vehicles. The new system eliminates the model year designation following the six digit vehicle model number printed on the Identification/Nameplate decal on each vehicle. *You must be aware of the new system for correct parts ordering information.*
- For example: instead of having a 898804-9210 designation, the 1992 models will be shown as 898804 only. If the model undergoes any major changes, A is added to the model number, so any vehicle purchased after the first major change will be shown as a 898804A model. The suffix will change (B, C, etc.) with each subsequent major change to the model. The suffix does not have to change at the beginning of each production year unless a major change is incorporated at that time.
- The vehicle model year will continue to be the first two digits of the serial number. For example: the serial number 92000877 would indicate a 1992 model year vehicle.



**Figure 1
Earlier Model
Model Number and Model Year on Nameplate**

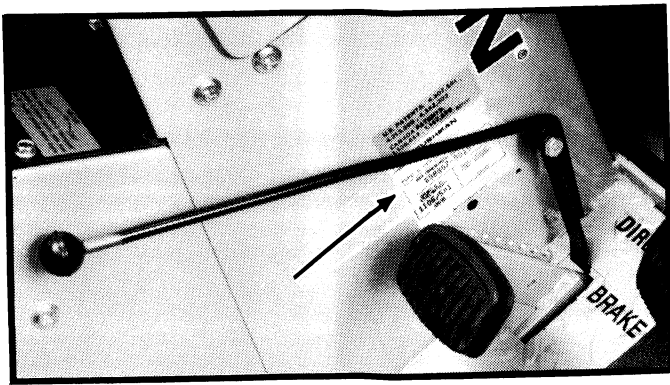


Figure 2
Model Number, Model Year and Serial Number
on Decal (Later Model)

VEHICLE SERIAL NUMBER

EARLIER MODELS

The vehicle serial number is stamped in the LEFT REAR side frame member at the rear and below the edge of the fender.

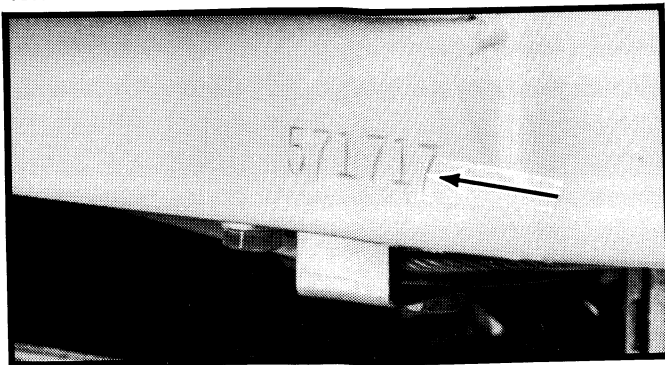


Figure 3
Vehicle Serial Number on Left Side

LATER MODELS

The vehicle serial number and model number are stamped in the RIGHT REAR side frame member below the CUSHMAN name decal.

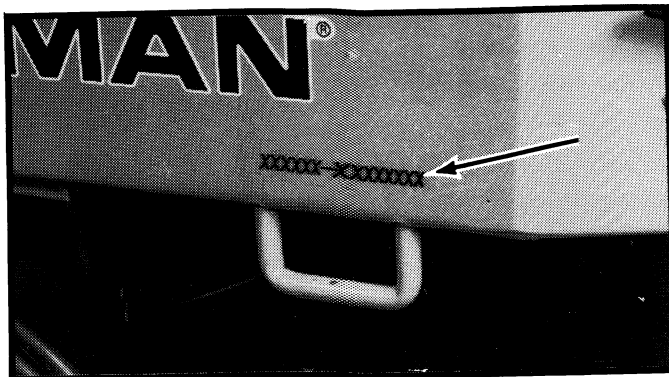
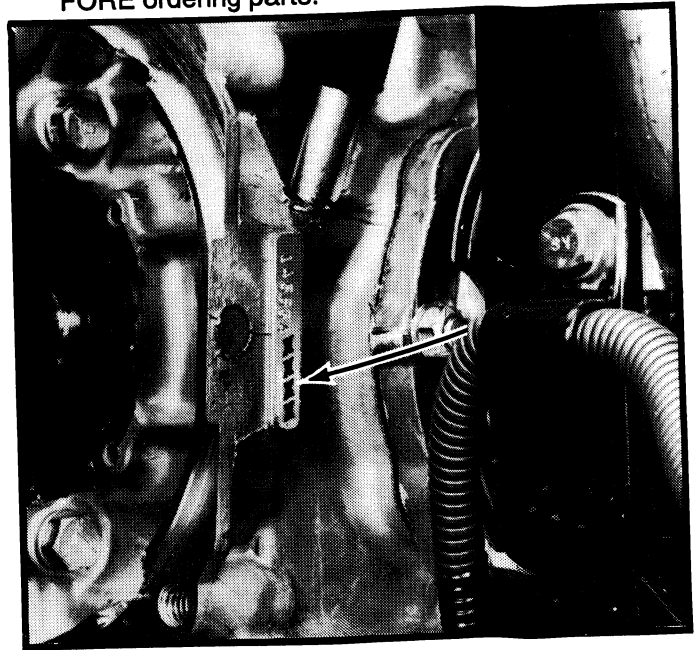


Figure 4
Model Number and Serial Number on Right Side

NOTE

- Beginning approximately January, 1985, the short blocks, replacement engines and production engines are stamped either 18 H.P. or 22 H.P. (indicated by XXXX) on the flat surface of the crankcase below and to the rear of the dipstick opening. See Photo.
- Make sure the engine is identified (18 or 22 H.P.) BEFORE ordering parts.



ENGINE REPLACEMENT
18 H.P.

Engine:

When ordering an 18 H.P. engine, order part number 885313. Engines include the timer-governor, starter, carburetor, exhaust manifolds, fuel pump and fan housing. The alternator is NOT included.

Engine Short Block:

When ordering a 18 H.P. engine short block, order part number 885516. Short blocks include valves, oil pump, rocker arm oil drain tubes and required gaskets. They DO NOT include rocker arms, oil strainer, oil pressure relief valve, valve lifters, push rods or push rod tubes.

ENGINE REPLACEMENT
22 H.P.

Engine:

When ordering an 22 H.P. engine, order part number 887265. Engines include the timer-governor, starter, carburetor, exhaust manifolds, fuel pump and fan housing. The alternator is NOT included.

Engine Short Block:

When ordering a 22 H.P. engine short block, order part

number 887217. Short blocks include valves, oil pump, rocker arm oil drain tubes and required gaskets. They DO NOT include rocker arms, oil strainer, oil pressure relief valve, valve lifters, push rods or push rod tubes.

SERVICE PUBLICATIONS

Additional Parts Manuals are available for:

Accessories:

- Order Part No. 833300

Operator's Manuals:

- Order Part No. 827355 – 8310 and Prior
- Order Part No. 830488 – 8410
- Order Part No. 830947 – Beginning with 8510

Service Manuals:

1980 – 1984 18 H.P.

- Order Part No. 830442

1985 and Later 22 H.P.

- Order Part No. 823881

Order for a minimum charge at this address:

CUSHMAN, INC.
Attn.: Cushman Service Dept.
P.O. Box 82409
Lincoln, NE 68501-2409 USA

TOUCH-UP PAINT

Evergreen Green (dark green)

- 16 oz. (0.5L) spray. Order Part No. 825361.
- 1 quart (0.95L) can. Order Part No. 825363.

Turfkin Green (light green)

- 16 oz. (0.5L) spray, LEAD FREE. Order Part No. 523340.
- 1 quart (0.95L) can, LEAD FREE. Order Part No. 523339.

IMPORTANT!

• INDENTED PART NAMES INDICATE THESE PARTS ARE INCLUDED IN THE PRECEDING ASSEMBLY.

* INDICATES: PARTS NOT ILLUSTRATED.

◇ INDICATES: SEE NOTE BELOW THE PARTS LIST.

AFTER YOU IDENTIFY A PART BY THE REFERENCE NUMBER AND THE SIX DIGIT CUSHMAN PART NUMBER, **ALWAYS READ THE DESCRIPTION OF THE PART TO BE SURE IT IS THE PART YOU WANT.**

QUICK REFERENCE INDEX

A	Page
Accessories: REFER TO ACCESSORY PARTS MANUAL, PART NO. 833300	
Accessory Lift Controls	56, 77
Adapter, Air Cleaner(Fender Mounted)	37
Adapter, Drive Shaft:	
8310 and Prior	39
8410 and Later	64-65
Adapter, Hydrostat	62
Air Cleaner and Pre-Cleaner, 8210 and Prior	36
Air Cleaner, 8310 – 8710	37
Air Cleaner, 8810 and Later	38
Air Filter	68-69
Alternator	39
Axle:	
Front	60-61
Rear	93
Service Set, Rear, Part No. 887129	96-97
B	
Baffles, Oil Cooler:	
8310 and Prior	63
8410 and Later	67
Battery Hold -down	40
Belt Cover	64-65
Belts, Drive	62
Body	80-81
Body Support	78
Brake Linkage, Wheel and Parking	44-45
Brake, Wheel	92
Bushings	102
C	
Camshaft:	
18 H.P.	14
22 H.P.	15
Carburetor and Connector:	
Stamped B70D on Flange, KEIHIN	20-21
Stamped B70E on Flange, KEIHIN	22-23
Stamped B11AT on Flange, KEIHIN	24-25
WALBRO	28-29
ZENITH	26-27
Conversion set, Part No. 887492	26-27
Chain, Lift	76
Choke Control	77
Clamps, Clips, Grommets, Wire Ties	102
Clutch:	
8310 and Prior	50-53
8410 – 8710, HEAVY DUTY	54-57
8810 and Later	56-59
Connecting Rods:	
18 H.P.	12
22 H.P.	13

Counter Weights	103
Coupling, Drive:	
8310 and Prior	50-51
8410 and Later	54-55
Connectors, Electrical	105
Cover, Battery Terminal	102
Crankcase, Breather	37
Crankshaft:	
18 H.P.	12
22 H.P.	13
Cylinder, Engine:	
18 H.P.	8-9
22 H.P.	10-11
Cylinder, Hydraulic Lift	76

D	
Decals	100-101
Differential	60-61
Direction/Speed Control Linkage:	
8310 and Prior	46-47
8410 and Later	48-49
Drive Shaft (coupling):	
8310 and Prior	50-51
8410 - 8710	54-55
8810 and Later	56-57
Hanger	102

E	
Electrical Components	98-99
Engine Frame	78
Engine Oil Cooler	18
Engine Overhaul Gasket Set	5
Gasket Set (One Cylinder)	7
Gasket Set (Valve Grind)	6
Engine Support, Rear	43
Engine Temperature Warning System	70-71
Exhaust System	43

F	
Fan Housing	41
Filtered Air System	68-69
Flywheel	40
Screen: 8310 and Prior:	39
Fork (Wheel Yoke)	79
Fuel System: 8410 and Prior:	
Filter	86-87
Hoses	86-87
Pump	86-87
Tank	86-87
Fuel System: 8510 and Later:	
Filter	88-89
Hoses	88-89
Pump	88-89
Tank	88-89

G	
Gas Spring (Seat Base Support)	67
Governor:	
18 H.P., 2 Weight	30-31
22 H.P., 4 Weight	32-33

H	
Hour Meter	98-99
Hubs:	
Front	92
Rear	93
Hydraulic System:	
8210 and Prior	72-73
Oil Cooler, 8010 - 8310	63
8310 and Later	74-75
Oil Cooler, 8410 and Later	67

Hydrostat:	
Adapter	62
Coupling	62
Drive Belt	62
Drive Belt Idler	78
Hub	62
Pulley	62

I	
Ignition Components	34

M	
Manifolds	42
Mats	80-81
Modification :	
Four Wheel Rear Axle, Mod. 408	96-97
Tire, 23-8.50 x 12.00, 4 ply, Mod. 406	DISC. 94-95
Tire, 23-10.50 x 12.00, 4 ply	94-95

O	
Oil Cooler:	
8310 and Prior	63
8410 and Later	67
Oil Supply, Engine	16-17

P	
Panels, Body	82
Pistons:	
18 H.P.	12
22 H.P.	13
Power Take-Off (P.T.O.) Shaft, 8310 and	
Prior, DISCONTINUED	50-51
8410 - 8710	54-55
8810 and Later	56-57, 104
Conversion Set	56-57
Pulley, Drive Shaft	50-51, 54-57
Pulley, Idler, Drive Belts	78
Push Rods:	
18 H.P.	14
22 H.P.	15

R

Rear Cover:	
8310 and Prior	82
8410 and Later	68-69
Remote Oil Fill Tube	19

S

Seat and Base:	
8310 and Prior	83
8410 and Later	66
Latch, Locking Seat Base	80-81
Starter Motor	35
Steering:	
Cables	85
Chains	85
Gear	84
Pulleys	85
Stop, Lift Chain	76
Switches:	
Horn	98-99
Ignition	98-99
Micro	98-99
P.T.O. and Neutral	98-99

Seat:

8010 - 8810	90
8910 and Later	91
Solenoid	98-99

T

Tank, Hydraulic Oil:	
8010 - 8210	72-73
8310 and Later	74-75
Tension Spring Bracket	80-81
Throttle Control , Hand	77
Timer:	
18 H.P.	30-31
22 H.P.	32-33
Tires and Wheels	94-95
Traction Assist Pedal Linkage	44-45

V

Valves:	
18 H.P.	14
22 H.P.	15

W

Weight, Counter	103
Wiring Diagrams:	
Vehicle, 8410 and Prior	106-107
Vehicle, 8510 and Later	108-109

**ENGINE OVERHAUL GASKET SET
(USED FOR COMPLETE DISASSEMBLY OF ENGINE)**

Ref. No.	Part No.	Description	No. Req'd.	Ref. No.	Part No.	Description	No. Req'd.
*◇	887256	Gasket set, engine overhaul . . .	1		111828	•Gasket, valve cover nut	4
	111173	•Washer, rubber seal(air cleaner)	2		111834	•Gasket, breather valve cover . . .	1
	111715	•Gasket, cylinder to crankcase . .	2		111837	•Seal, camshaft cover	1
	111716	•Gasket, valve cover	2		111838	•'O' ring, oil supply tube to cylinder	2
	111726	•Gasket, strainer cover to crankcase	1		111877	•Gasket, air cleaner to bracket . .	1
	111745	•Gasket, drain block to crankcase	2		111961	•Cover, camshaft	1
	111748	•'O' ring, oil drain tube	4		160700	•Seals, valve stem	2
	111751	•'O' ring, push rod housing	8		831006	•Gasket, air cleaner to connector	1
	111761	•Gasket, exhaust manifold	4		831024	•Seal set, oil, front, crankshaft . .	1
	111764	•'O' ring, oil supply tube to crankcase	2		831025	•Seal set, oil, rear, crankshaft . . .	1
	111767	•Gasket, carburetor to manifold . .	1		887018	•Seals, valve stem	2
	111769	•Gasket, timer to housing	1		887249	•Gasket set, air cleaner, w/'O' ring	1
	111771	•Gasket, governor housing to crankcase	1		111173	••Washer, rubber seal (air cleaner)	2
	111773	•Gasket, oil filler to crankcase . .	1	◇◇	••Gasket, air cleaner to connector	1	
	111775	•Gasket, oil pump cover to crankcase	1	◇◇	••'O' ring, air cleaner	1	
	111779	•Gasket, fuel pump to crankcase	2	887254	•Seal, bellows	2	
	111783	•Gasket, relief valve screw	1	887274	•Seal set, camshaft	1	
	111784	•Gasket, oil filler cap	1	308132	••Plug, welch expansion, 15/16 camshaft	1	
	111792	•Gasket, relief valve housing to crankcase	1				

* Not Illustrated. Parts are shown where they are used.

◇ Discard parts NOT required for application.

◇◇ Not offered.

• INDENTED PART NAMES INDICATE THESE PARTS ARE INCLUDED IN PRECEDING ASSEMBLY.

**ENGINE GASKET SET (VALVE GRIND SET)
(USED WHEN BOTH CYLINDERS ARE REMOVED
BUT THE CRANKCASE IS NOT DISASSEMBLED)**

Ref. No.	Part No.	Description	No. Req'd.	Ref. No.	Part No.	Description	No. Req'd.
*◇	887845	Valve grind gasket set	1		111838	•'O' ring, oil supply tube to cylinder	2
	111715	•Gasket, cylinder to crankcase	2		111877	•Gasket, air cleaner to bracket	1
	111716	•Gasket, valve cover	1		160700	•Seals, valve stem	2
	111745	•Gasket, drain block to crankcase	2		831006	•Gasket, air cleaner to connector	1
	111748	•'O' ring, oil drain tube	4		887018	•Seals, valve stem	2
	111751	•'O' ring, push rod housing	8		887249	•Gasket set, air cleaner, w/'O' ring	1
	111761	•Gasket, exhaust manifold	4		111173	••Washer, rubber seal (air cleaner)	2
	111764	•'O' ring, oil supply tube to crankcase	2				
	111828	•Gasket, valve cover nut	4				

* Not Illustrated. Parts are shown where they are used.

◇ Discard parts NOT required for application.

• INDENTED PART NAMES INDICATE THESE PARTS ARE INCLUDED IN PRECEDING ASSEMBLY.

**ENGINE GASKET SET
(USED WHEN ONE CYLINDER IS REMOVED
BUT THE CRANKCASE IS NOT DISASSEMBLED)**

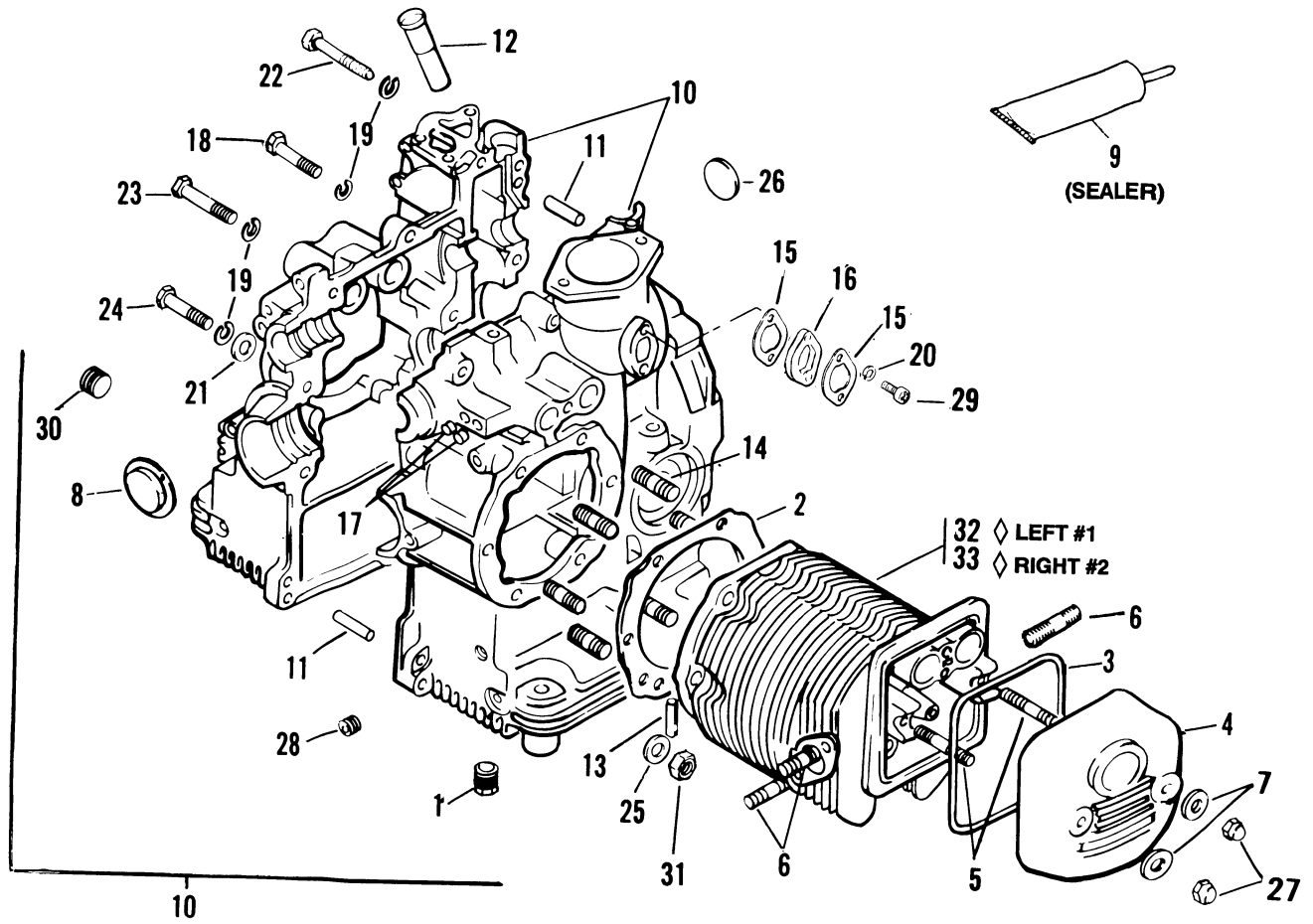
Ref. No.	Part No.	Description	No. Req'd.	Ref. No.	Part No.	Description	No. Req'd.
*◇	160439	Engine gasket set	1		111767	•Gasket, carburetor to manifold	1
	111715	•Gasket, cylinder to crankcase	1		111775	•Gasket, oil pump cover to crankcase	1
	111716	•Gasket, valve cover	1		111783	•Gasket, relief valve screw	1
	111726	•Gasket, strainer cover to crankcase	1		111784	•Gasket, oil filler cap	1
	111745	•Gasket, drain block to crankcase	1		111828	•Gasket, valve cover nut	2
	111748	•'O' ring, oil drain tube	2		111834	•Gasket, breather valve cover	1
	111751	•'O' ring, push rod housing	4		111838	•'O' ring, oil supply tube to cylinder	1
	111761	•Gasket, exhaust manifold	2				
	111764	•'O' ring, oil supply tube to crankcase	2				

* Not Illustrated. Parts are shown where they are used.

◇ Discard parts NOT required for application.

• INDENTED PART NAMES INDICATE THESE PARTS ARE INCLUDED IN PRECEDING ASSEMBLY.

18 H.P.
CYLINDERS AND CRANKCASE



**18 H.P.
CYLINDERS AND CRANKCASE**

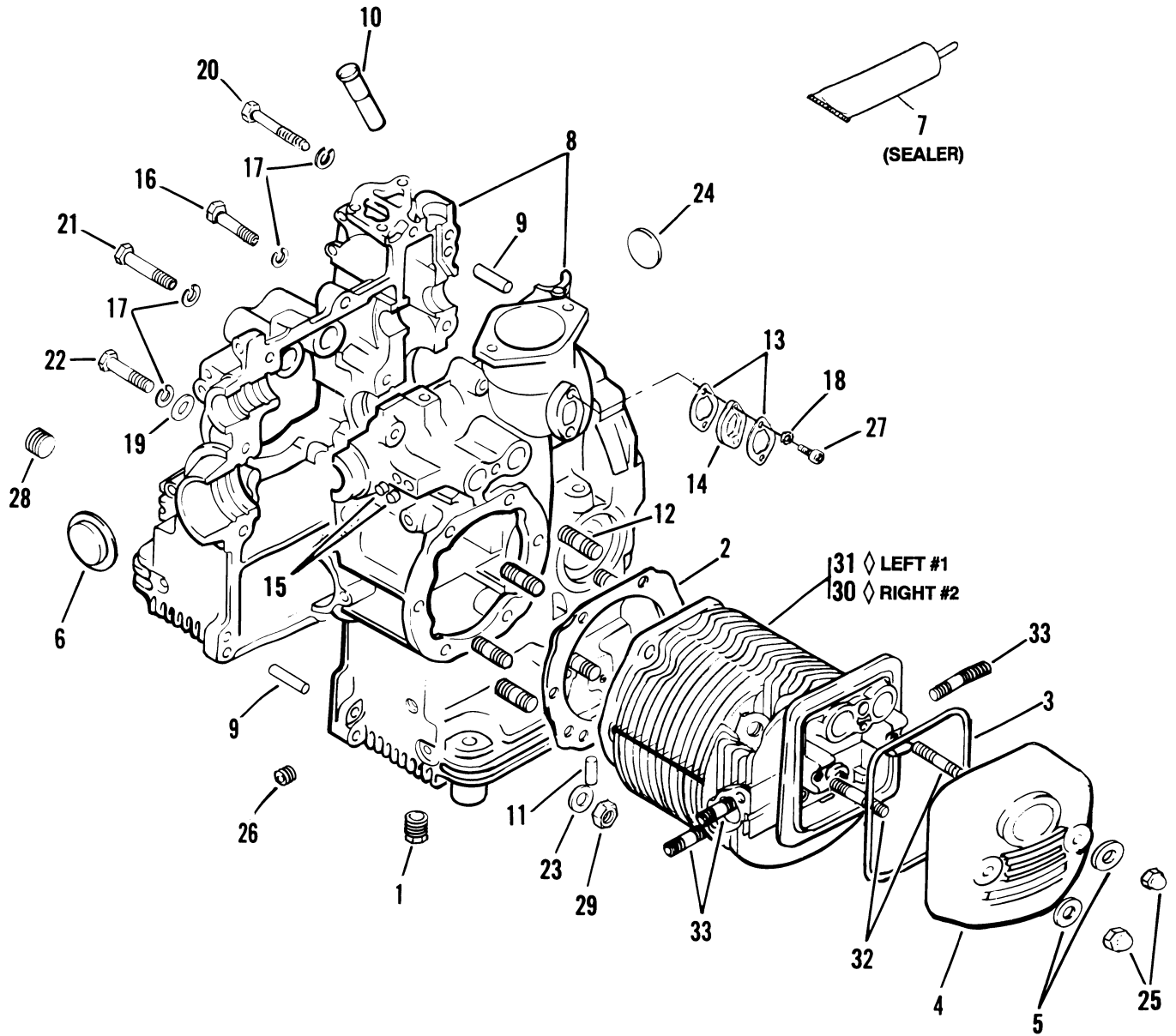
Ref. No.	Part No.	Description	No. Req'd.	Ref. No.	Part No.	Description	No. Req'd.
1	111071	Plug, drain, 1/2"	1	19	306353	•Lockwasher, 3/8	13
2	111715	Gasket, cylinder	2	20	306396	•Lockwasher, 1/4	2
3	111716	Gasket, valve cover	2	21	306405	•Washer, 3/8	2
4	111731	Cover, valve	2	22	306837	•Screw, 3/8-16 x 3 1/4	1
5	111762	Stud, rocker arm	4	23	307776	•Screw, 3/8-16 x 2 3/4	2
6	111786	Stud, manifold	8	24	551094	•Screw, 3/8-16 x 1 3/4	2
7	111828	Gasket, nut	4	25	306405	Washer, 3/8	12
8	111961	Cover, camshaft	1	26	308132	Plug, welch expansion, 15/16" ..	1
9	112008	Sealer, crankcase	1	27	800217	Nut, acorn, 5/16-24	4
10	160354	Crankcase set	1	28	800228	Plug, 3/4", pipe	1
11	111043	•Pin, taper	1	29	800229	Screw, 1/4-20 x 1, filister hd. ...	2
12	111349	•Tube, dipstick	1	30	800356	Plug, 1/2", pipe	1
13	111717	•Shaft, oil pump idler	1	31	805837	Nut, 3/8-24, lock	12
14	111758	•Stud, cylinder	12	32◇	885084	Cylinder, LEFT, w/valve seats & guide only	◇
15	111779	•Gasket, fuel pump	2	33◇	885085	Cylinder, RIGHT, w/valve seats & guide only	◇
16	111890	•Block, fuel pump insulator	1	*	887256	Gasket set, engine overhaul ...	As Req'd
17	114082	•Plug, oil galley	4				
18	302600	•Screw, 3/8-16 x 1 1/2	8				

* Not Illustrated. Refer to page 5 for parts included in gasket set. Order set required.

◇ Not available, refer to pages 10-11 for replacement cylinders.

•INDENTED PART NAMES INDICATE THESE PARTS ARE INCLUDED IN PRECEDING ASSEMBLY.

22 H.P.
CYLINDERS AND CRANKCASE



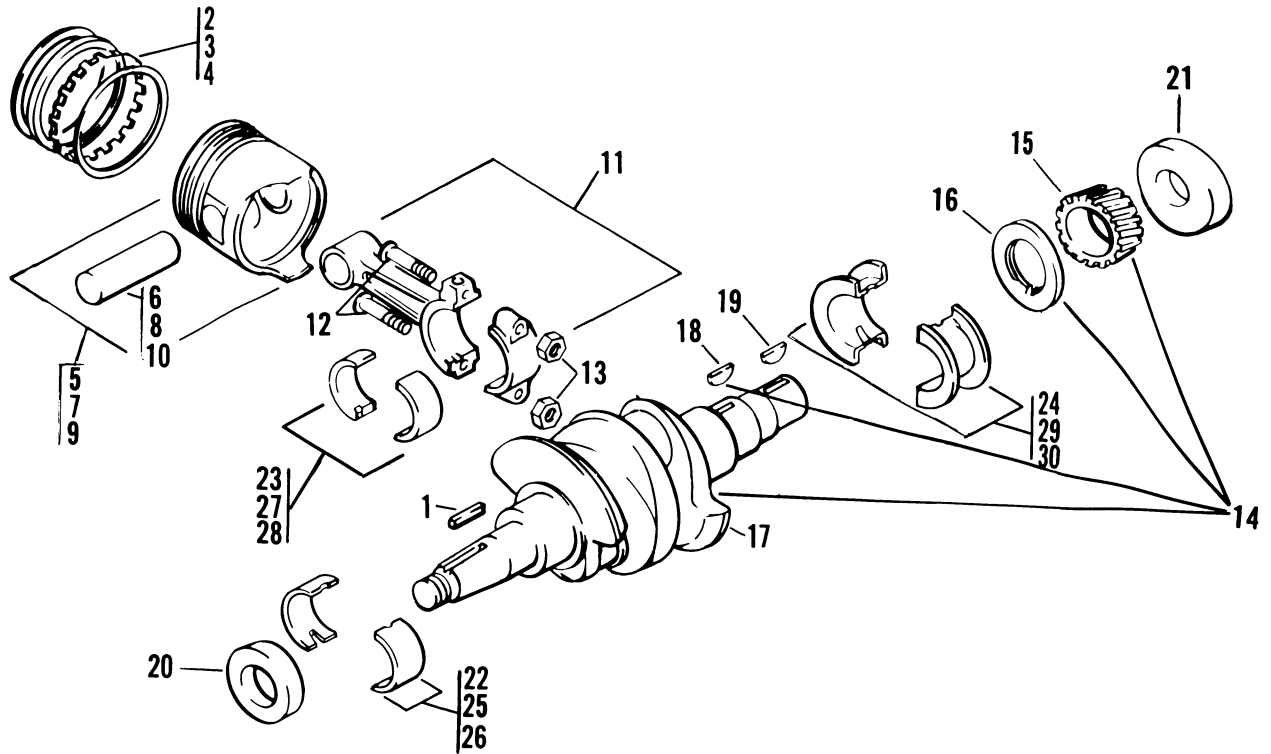
**22 H.P.
CYLINDERS AND CRANKCASE**

Ref. No.	Part No.	Description	No. Req'd.	Ref. No.	Part No.	Description	No. Req'd.
1	111071	Plug, drain, 1/2"	1	28	800356	Plug, 1/2", pipe	1
2	111715	Gasket, cylinder	2	29	805837	Nut, 3/8-24, lock	12
3	111716	Gasket, valve cover	2	30◇	887240	Cylinder, complete, RIGHT #2 w/non-replaceable valve guide . .	1
4	111731	Cover, valve	2		OR		
5	111828	Gasket, nut	4	31◇	887241	Cylinder, complete, LEFT #2 w/non-replaceable valve guide . .	1
6	111961	Cover, camshaft	1	◇	111658	•Retainer, valve spring	1
7	112008	Sealer, crankcase	1	◇	111739	•Valve, intake	1
8	160354	Crankcase set	1	◇	111741	•Keeper half	4
9	111043	•Pin, taper	1	◇	111742	•Washer, valve spring	2
10	111349	•Tube, dipstick	1	◇	111745	•Gasket, oil drain block	1
11	111717	•Shaft, oil pump idler	1	◇	111746	•Block, oil drain	1
12	111758	•Stud, cylinder	12	◇	111747	•Tube, oil drain	1
13	111779	•Gasket, fuel pump	2	◇	111748	•'O' ring, oil drain tube	2
14	111890	•Block, fuel pump insulator	1	◇	111750	•Spring, valve, intake	1
15	114082	•Plug, oil galley	4	◇	111762	•Stud, rocker arm shaft	2
16	302600	•Screw, 3/8-16 x 1 1/2	8	32	111786	•Stud, manifold	4
17	306353	•Lockwasher, 3/8	13	33	111964	•Rotator, valve	1
18	306396	•Lockwasher, 1/4	2	◇	111966	•Valve, exhaust	1
19	306405	•Washer, 3/8	2	◇	111967	•Spring, valve, exhaust	1
20	306837	•Screw, 3/8-16 x 3 1/4	1	◇	302288	•Screw, 1/4-20 x 1	1
21	307776	•Screw, 3/8-16 x 2 3/4	2	◇	303459	•Screw, 1/4-20 x 1 1/2	1
22	551094	•Screw, 3/8-16 x 1 3/4	2	◇	306396	•Lockwasher, 1/4	2
*	160439	Gasket set, engine	As Req'd	◇	838191	•Plug, spark	1
23	306405	Washer, 3/8	12	◇	887018	•Seal set, valve	1
24	308132	Plug, welch expansion, 15/16" . . .	1	*	887256	Gasket set, engine overhaul . . .	As Req'd
25	800217	Nut, acorn, 5/16-24	4				
26	800228	Plug, 3/4", pipe	1	*	887845	Gasket set, valve grind	As Req'd
27	800229	Screw, 1/4-20 x 1, sockethead . .	2				

* Not Illustrated. Refer to pages 5, 6, 7 for parts included in gasket set. Order set required.

◇ Refer to proper sections (valves, oil supply, ignition components) for parts not illustrated.

•INDENTED PART NAMES INDICATE THESE PARTS ARE INCLUDED IN PRECEDING ASSEMBLY.

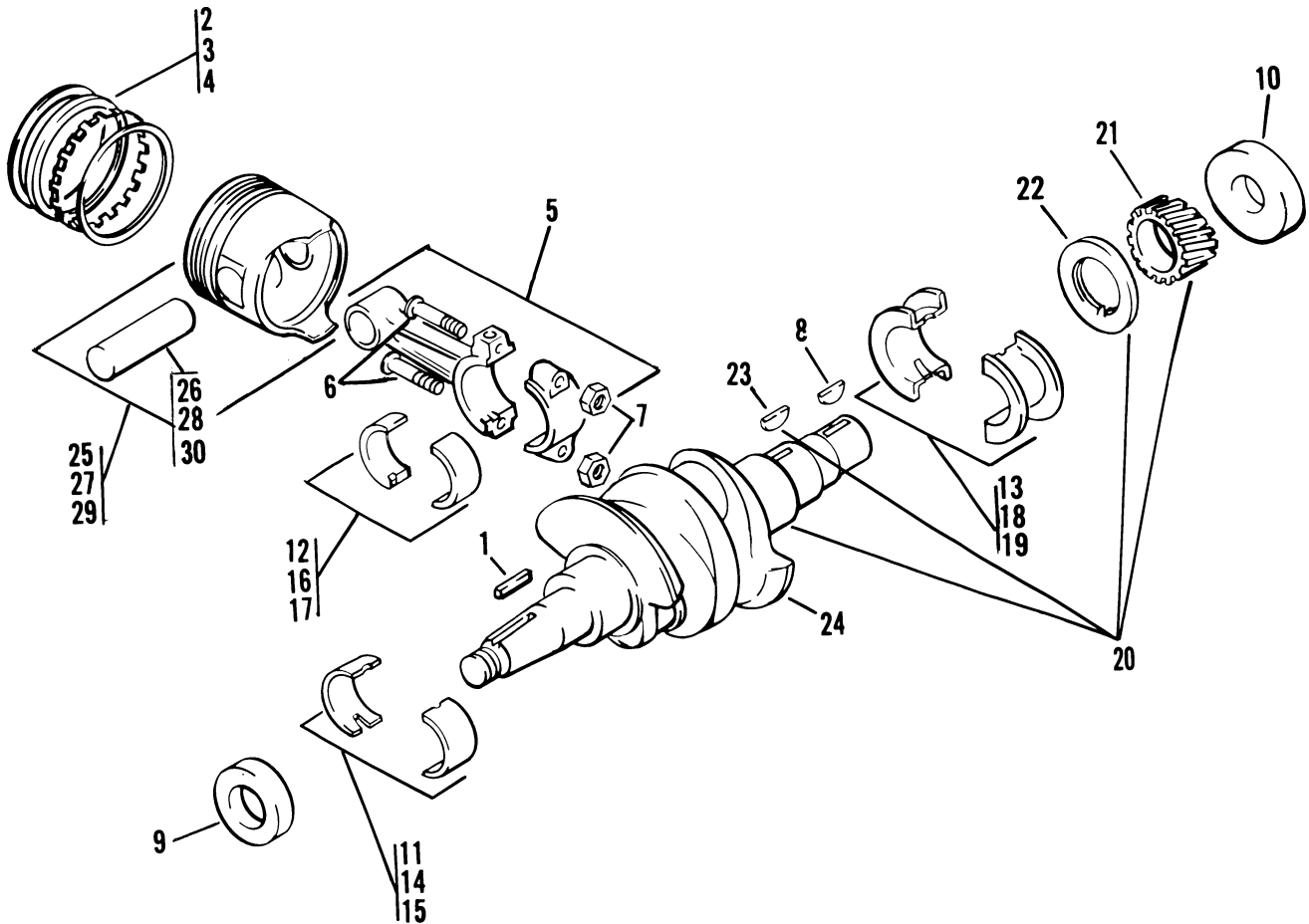


**18 H.P.
CRANKSHAFT, PISTONS AND CONNECTING RODS**

Ref. No.	Part No.	Description	No. Req'd.	Ref. No.	Part No.	Description	No. Req'd.
1	111807	Key, crankshaft to flywheel	1	16	111659	•Spacer, gear	1
2	160434	Ring set, standard	2	17	◇	•Crankshaft	1
3	160435	Ring set, .020 O/S	2	18	307661	•Key, #11, woodruff	1
4	160436	Ring set, .030 O/S	2	19	307662	Key, #15, woodruff	1
5	160441	Piston, w/wrist pin, standard	2	20	831024	Seal set, front, oil	1
6	831370	•Pin, wrist	1	21	831025	Seal set, rear, oil	1
7	160442	Piston, w/wrist pin, .020 o/s	2	22	884989	Brg. set, standard, front main	1
8	831370	•Pin, wrist	1	23	885146	Inserts, standard, conn. rod brg	2
9	160443	Piston, w/wrist pin, .030 o/s	2	24	885212	Brg. set, standard, rear main	1
10	831370	•Pin, wrist	1	25	885218	Brg. set, .015 U/S, front main	1
11	160867	Rod w/hardware (order inserts separately)	2	26	885235	Brg. set, .030 U/S, front main	1
12	111694	•Screw, connecting rod	2	27	885251	Inserts, .015 U/S, conn. rod brg	2
13	800221	•Nut, lock, connecting rod	2	28	885252	Inserts, .030 U/S conn. rod brg	2
14	160361	Crankshaft, complete	1	29	885253	Brg. set, .015 U/S rear main	1
15	111656	•Gear, pinion timing	1	30	885254	Brg. set, .030 U/S rear main	1

◇ Not offered.

•INDENTED PART NAMES INDICATE THESE PARTS ARE INCLUDED IN PRECEDING ASSEMBLY.

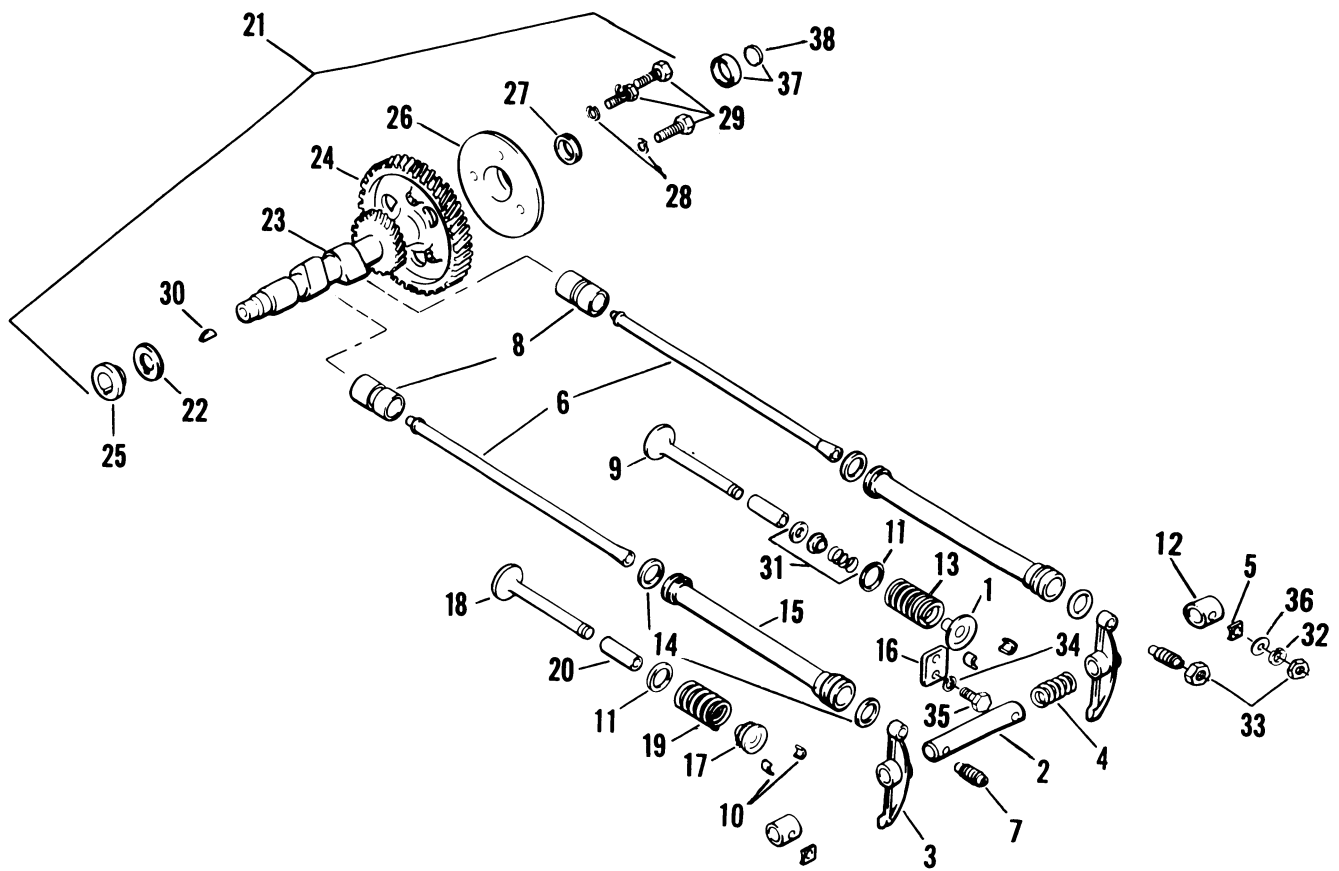


**22 H.P.
CRANKSHAFT, PISTONS AND CONNECTING RODS**

Ref. No.	Part No.	Description	No. Req'd.	Ref. No.	Part No.	Description	No. Req'd.
1	111807	Key, crankshaft to flywheel	1	16	885251	Inserts, .015 U/S, conn. rod brg	2
2	160434	Ring set, standard	2	17	885252	Inserts, .030 U/S conn. rod brg.	2
3	160435	Ring set, .020 O/S	2	18	885253	Brg. set, .015 U/S rear main	1
4	160436	Ring set, .030 O/S	2	19	885254	Brg. set, .030 U/S rear main	1
5	160867	Rod w/hardware (order inserts separately)	2	20	886811	Crankshaft, complete	1
6	111694	•Screw, connecting rod	2	21	111656	•Gear, pinion timing	1
7	800221	•Nut, lock, connecting rod	2	22	111659	•Spacer, gear	1
8	307662	Key, #15, woodruff	1	23	307661	•Key, #11, woodruff	1
9	831024	Seal set, front, oil	1	24	◇	•Crankshaft	1
10	831025	Seal set, rear, oil	1	25	886916	Piston, w/wrist pin, standard	2
11	884989	Brg. set, standard, front main	1	26	831370	•Pin, wrist	1
12	885146	Inserts, standard, conn. rod brg	2	27	886917	Piston, w/wrist pin, .020 O/S	2
13	885212	Brg. set, standard, rear main	1	28	831370	•Pin, wrist	1
14	885218	Brg. set, .015 U/S, front main	1	29	886918	Piston, w/wrist pin, .030 O/S	2
15	885235	Brg. set, .030 U/S, front main	1	30	831370	•Pin, wrist	1

◇ Not offered.

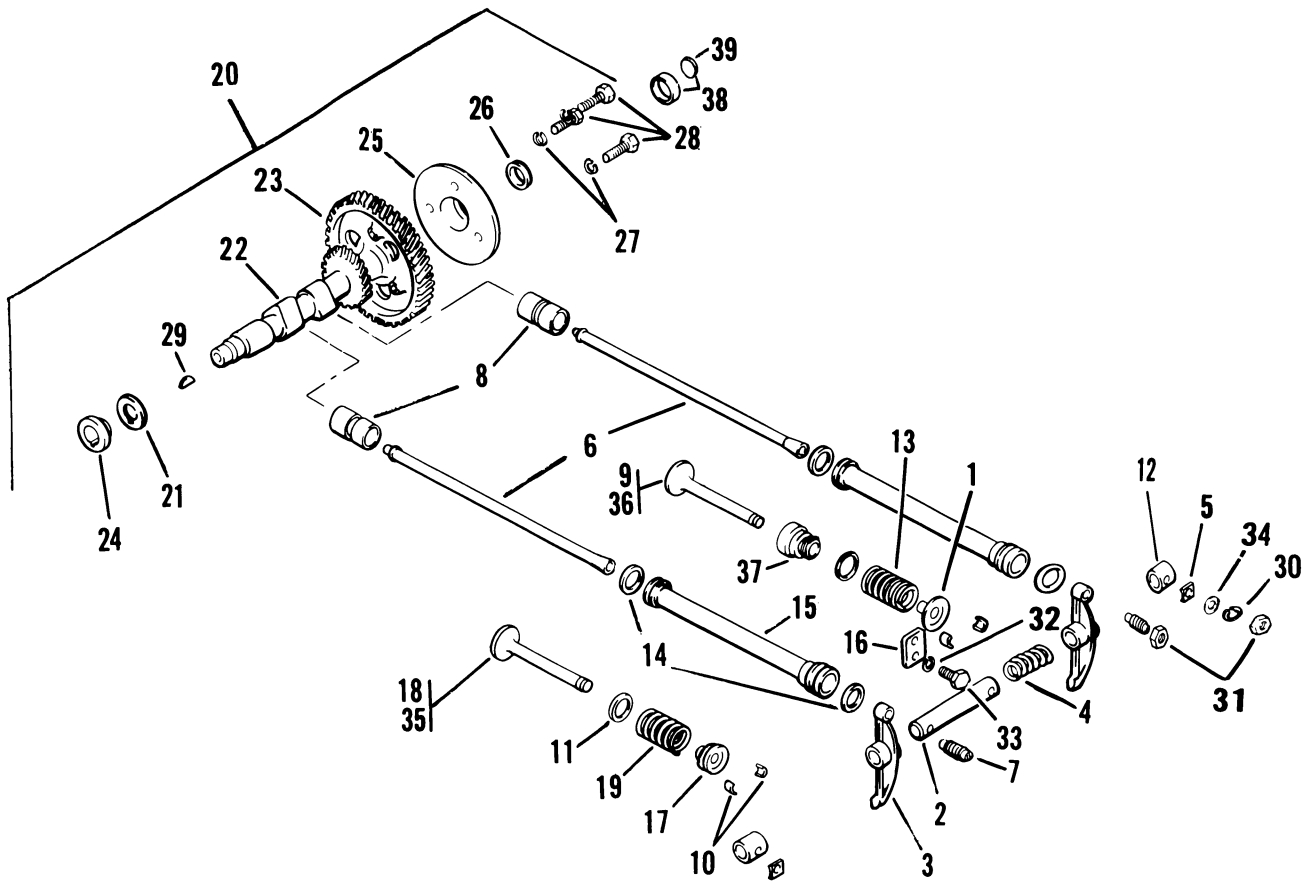
•INDENTED PART NAMES INDICATE THESE PARTS ARE INCLUDED IN PRECEDING ASSEMBLY.



**18 H.P.
CAMSHAFT, VALVES AND PUSH RODS**

Ref. No.	Part No.	Description	No. Req'd.	Ref. No.	Part No.	Description	No. Req'd.
1	111658	Retainer, valve spring	2	20	112007	Guide, valve	4
2	111668	Shaft, rocker arm	2	21	160379	Camshaft	1
3	111669	Arm, rocker	4	22	111660	•Washer, thrust	1
4	111727	Spring, spacer	2	23	111661	•Camshaft	1
5	111728	Cap, shaft	4	24	111662	•Gear, timing	1
6	111730	Rod, push	4	25	111667	•Collar, retaining	1
7	111732	Screw, tappet adjusting	4	26	111734	•Cover, timing gear	1
8	111733	Tappet	4	27	111837	•Seal, cover	1
9	111739	Valve, intake	2	28	306396	•Lockwasher, 1/4	3
10	111741	Keeper half	8	29	306419	•Screw, 1/4-20 x 1/2	3
11	111742	Washer, valve spring	4	30	306560	•Key	2
12	111743	Bushing, shaft	4	31	160700	Seal set, valve	2
13	111750	Spring, valve	2	32	306325	Lockwasher, 5/16	4
14	111751	'O' ring	8	33	306390	Nut, 5/16-24	8
15	111752	Housing, push rod	4	34	306396	Lockwasher, 1/4	4
16	111759	Retainer, housing	2	35	306487	Screw, 1/4-20 x 5/8	4
17	111964	Rotator, valve	2	36	309948	Washer, 5/16	4
18	111966	Valve, exhaust	2	37	887274	Seal set, camshaft	1
19	111967	Spring, valve, exhaust	2	38	308132	•Plug, expansion	1

•INDENTED PART NAMES INDICATE THESE PARTS ARE INCLUDED IN PRECEDING ASSEMBLY.



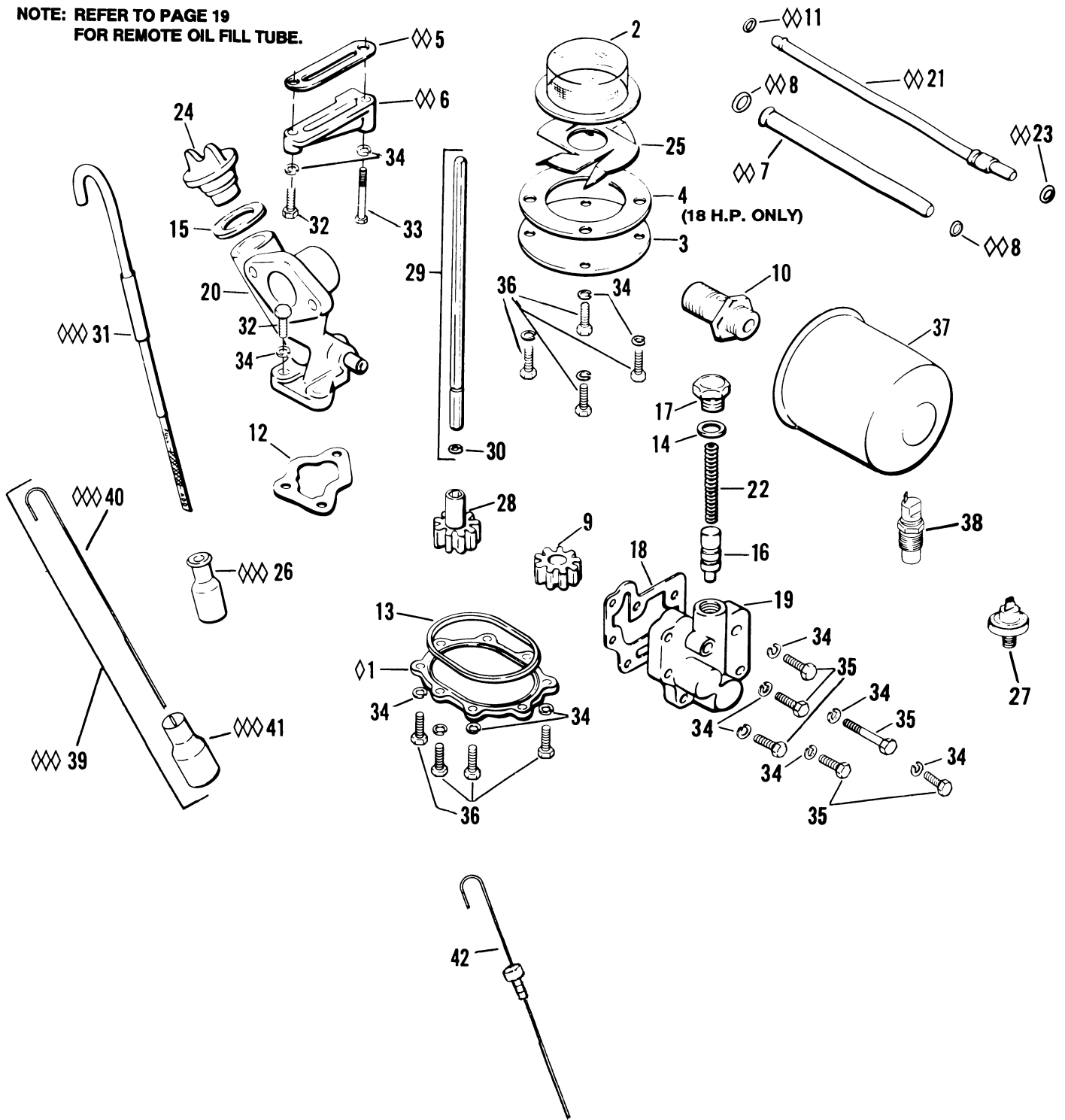
**22 H.P.
CAMSHAFT, VALVES AND PUSH RODS**

Ref. No.	Part No.	Description	No. Req'd.	Ref. No.	Part No.	Description	No. Req'd.
1	111658	Retainer, valve spring	2	21	111660	•Washer, thrust	1
2	111668	Shaft, rocker arm	2	22	111661	•Camshaft	1
3	111669	Arm, rocker	4	23	111662	•Gear, timing	1
4	111727	Spring, spacer	2	24	111667	•Collar, retaining	1
5	111728	Cap, shaft	4	25	111734	•Cover, timing gear	1
6	111730	Rod, push	4	26	111837	•Seal, cover	1
7	111732	Screw, tappet adjusting	4	27	306396	•Lockwasher, 1/4	3
8	111733	Tappet	4	28	306419	•Screw, 1/4-20 x 1/2	3
9	111739	Valve, intake	2	29	306560	•Key	2
10	111741	Keeper half	8	30	306325	Lockwasher, 5/16	4
11	111742	Washer, valve spring	4	31	306390	Nut, 5/16-24	8
12	111743	Bushing, shaft	4	32	306396	Lockwasher, 1/4	4
13	111750	Spring, valve	2	33	306487	Screw, 1/4-20 x 5/8	4
14	111751	'O' ring	8	34	309948	Washer, 5/16	4
15	111752	Housing, push rod	4	35	830571	Valve, exhaust, .010 O/S	2
16	111759	Retainer, housing	2	36	830572	Valve, intake, .010 O/S	2
17	111964	Rotator, valve	2	37	887018	Seal set, valve	2
18	111966	Valve, exhaust	2	38	887274	Seal set, camshaft	1
19	111967	Spring, valve, exhaust	2	39	308132	•Plug, expansion	1
20	160379	Camshaft	1				

•INDENTED PART NAMES INDICATE THESE PARTS ARE INCLUDED IN PRECEDING ASSEMBLY.

OIL SUPPLY

NOTE: REFER TO PAGE 19
FOR REMOTE OIL FILL TUBE.



OIL SUPPLY

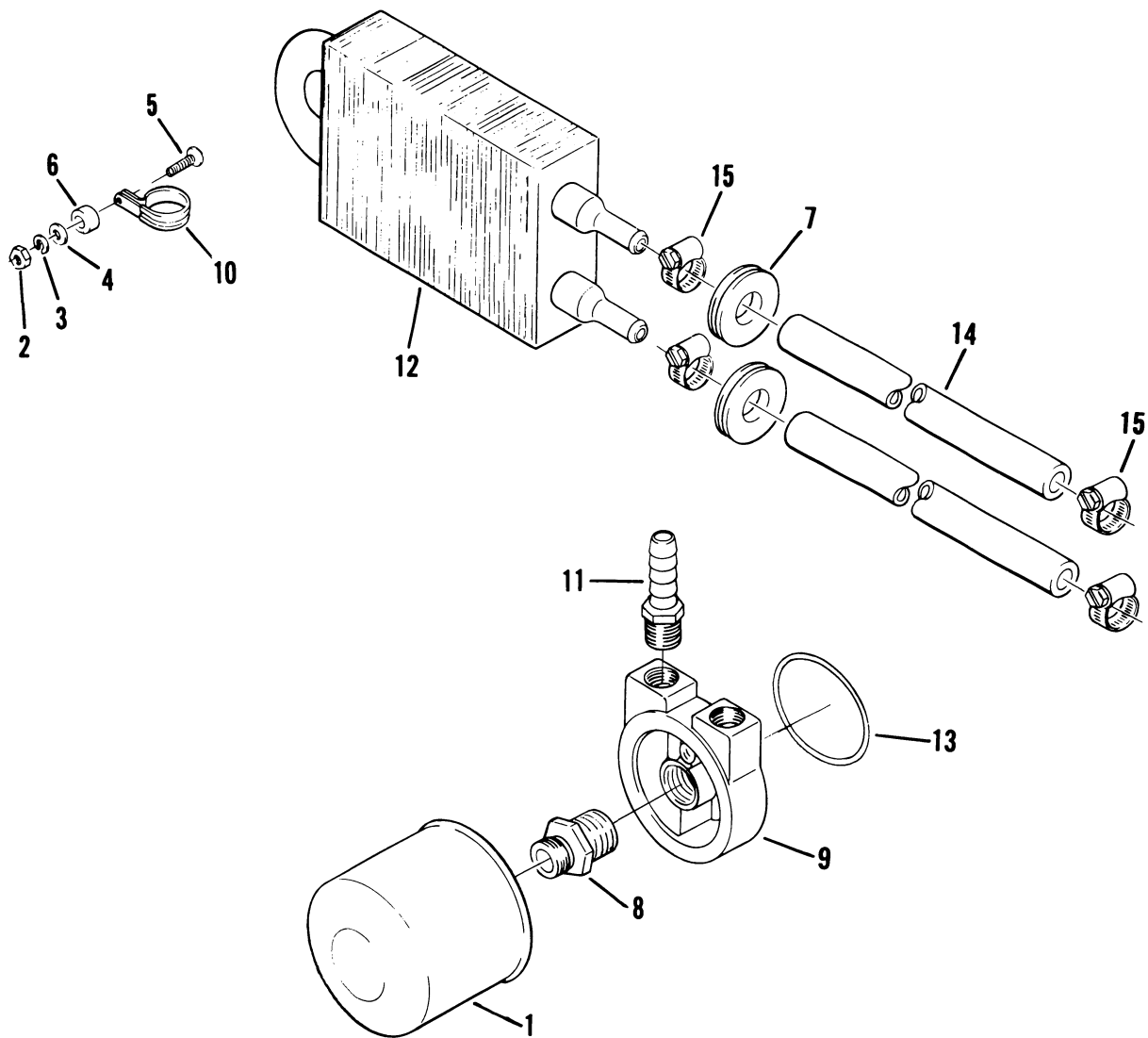
Ref. No.	Part No.	Description	No. Req'd.	Ref. No.	Part No.	Description	No. Req'd.
1	111719	Cover, oil pump	◇1	22	111827	Spring, relief valve	1
2	111720	Strainer, oil	1	23	111838	'O' ring	◇◇1
3	111721	Cover, oil strainer	1	24	111858	Cap, oil filler	1
4	111726	Gasket (18 H.P. only)	1	25	111860	Retainer, oil strainer	1
5	111745	Gasket	◇◇1	26	111885	Seal, dipstick tube	◇◇◇
6	111746	Block, oil drain	◇◇1	27	111920	Switch, oil pressure	1
7	111747	Tube, oil drain	◇◇1	28	160376	Gear and shaft	1
8	111748	'O' ring	◇◇1	29	160380	Shaft, drive w/ring	1
9	111753	Gear, oil pump idler	1	30	111777	•Ring, retaining	1
10	111757	Connector, oil filter	1	31	160782	Dipstick	◇◇◇
11	111764	'O' ring	◇◇1	32	302288	Screw, 1/4-20 x 1	4
12	111773	Gasket	1	33	303459	Screw, 1/4-20 x 1 1/2	3
13	111775	Gasket	1	34	306396	Lockwasher, 1/4	25
14	111783	Gasket, screw	1	35	306418	Screw, 1/4-20 x 1 1/8	5
15	111784	Gasket	1	36	306487	Screw, 1/4-20 x 5/8	12
16	111790	Valve, pressure relief	1	37	111836	Filter, oil	1
17	111791	Screw, pressure relief valve	1	38	830288	Sender, oil temperature	1
18	111792	Gasket	1	39	887601	Kit, dipstick w/seal	◇◇◇
19	111793	Housing, pressure relief valve	1	40	831371	•Dipstick	◇◇◇
20	111804	Filler, oil	1	41	831372	•Seal, dipstick	◇◇◇
21	111810	Tube, oil supply	◇◇1	42	888907	Dipstick	1

◇Later 111719 does NOT have gasket groove. Gasket 111775 is not required.

◇◇Quantity per cylinder.

◇◇◇DISCONTINUED - Use Part No. 888907.

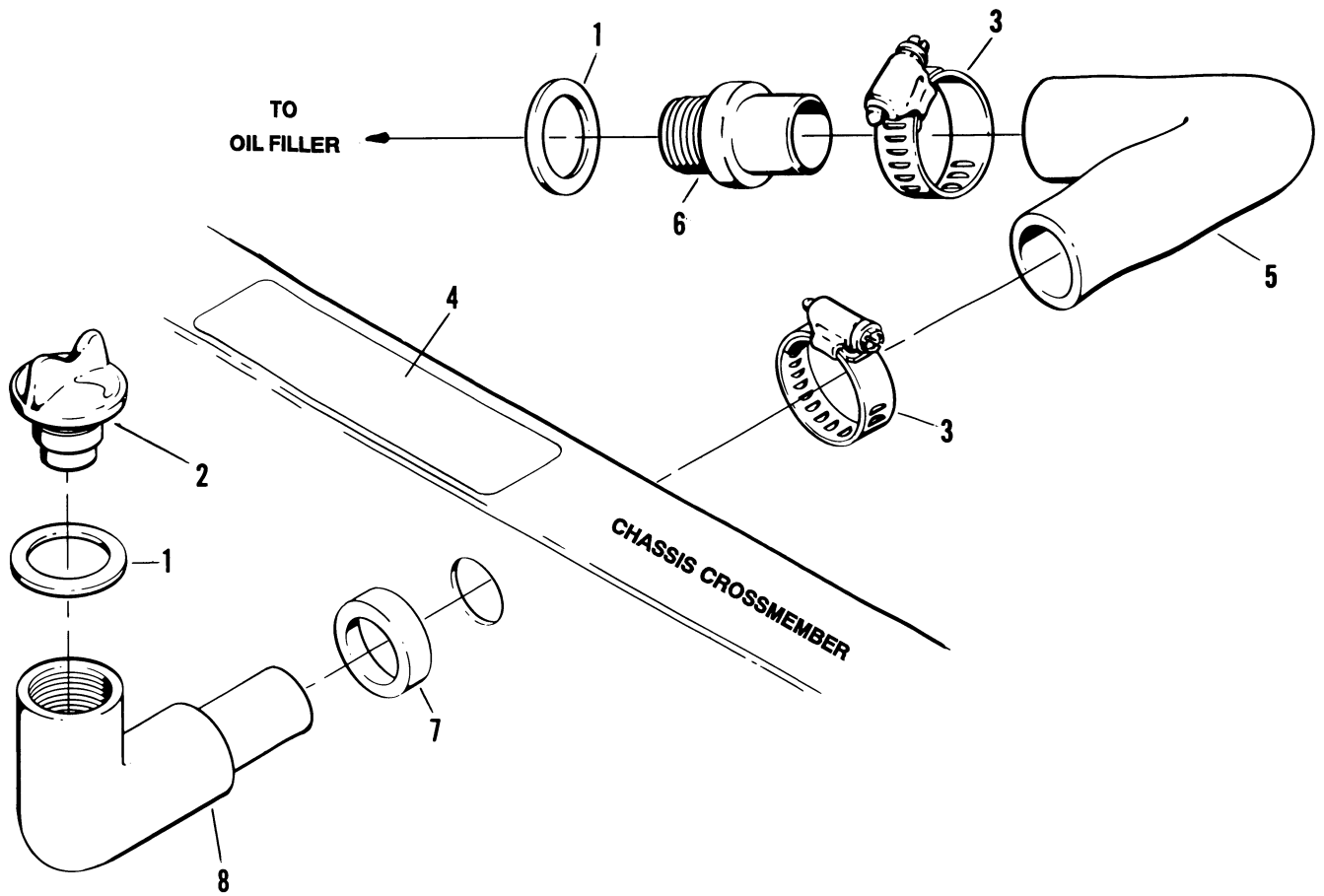
•INDENTED PART NAMES INDICATE THESE PARTS ARE INCLUDED IN PRECEDING ASSEMBLY.



**ENGINE OIL COOLER
AND
ACCESSORY SET
PART NO. 887220**

Ref. No.	Part No.	Description	No. Req'd	Ref. No.	Part No.	Description	No. Req'd
	887220	Oil cooler set, complete	1	8	830175	•Connector	1
1	111836	•Filter, oil	1	9	830176	•Plate, oil cooler	1
2	306375	•Nut, 1/4-20	1	10	830203	•Clamp	1
3	306396	•Lockwasher, 1/4	1	11	830650	•Fitting, barb	2
4	308090	•Washer, 1/4	1	12	830797	•Cooler, oil	1
5	800017	•Screw, 1/4-20 x 1, P.T.H.	1	13	830920	•'O' ring	1
6	809027	•Spacer	1	14	830929	•Hose, engine oil	2
7	827797	•Grommet	2	15	832033	•Clamp, hose	4

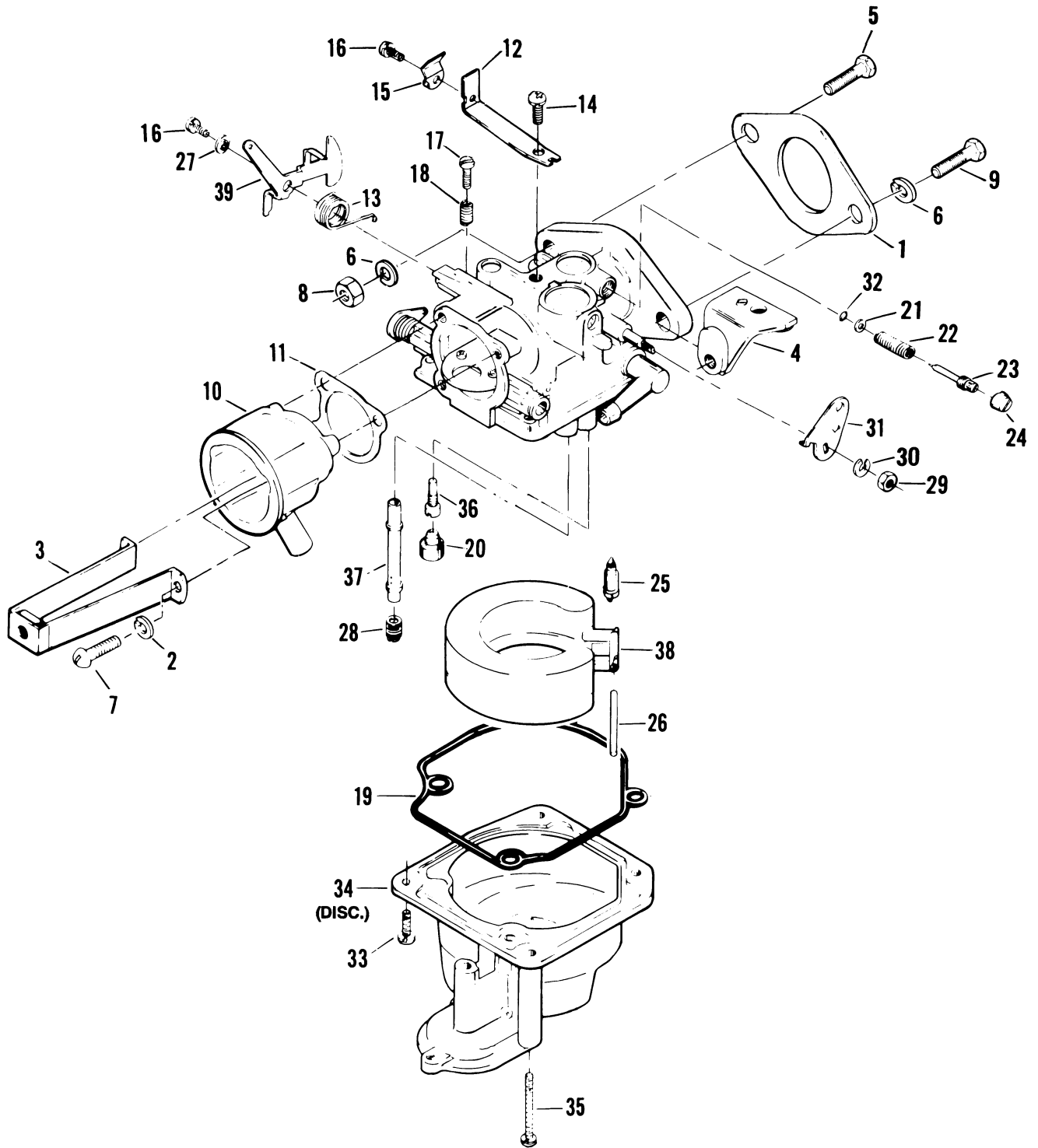
•INDENTED PART NAMES INDICATE THESE PARTS ARE INCLUDED IN PRECEDING ASSEMBLY.



**8410 AND LATER
REMOTE OIL FILL TUBE**

Ref. No.	Part No.	Description	No. Req'd	Ref. No.	Part No.	Description	No. Req'd
1	111784	Gasket, adapter and cap	2	5	830278	Hose	1
2	111858	Cap	1	6	830281	Adapter	1
3	820889	Clamp	2	7	830283	Spacer	1
4	830274	Decal	1	8	886818	Elbow	1

**CARBURETOR AND CONNECTOR
STAMPED B70D ON FLANGE**



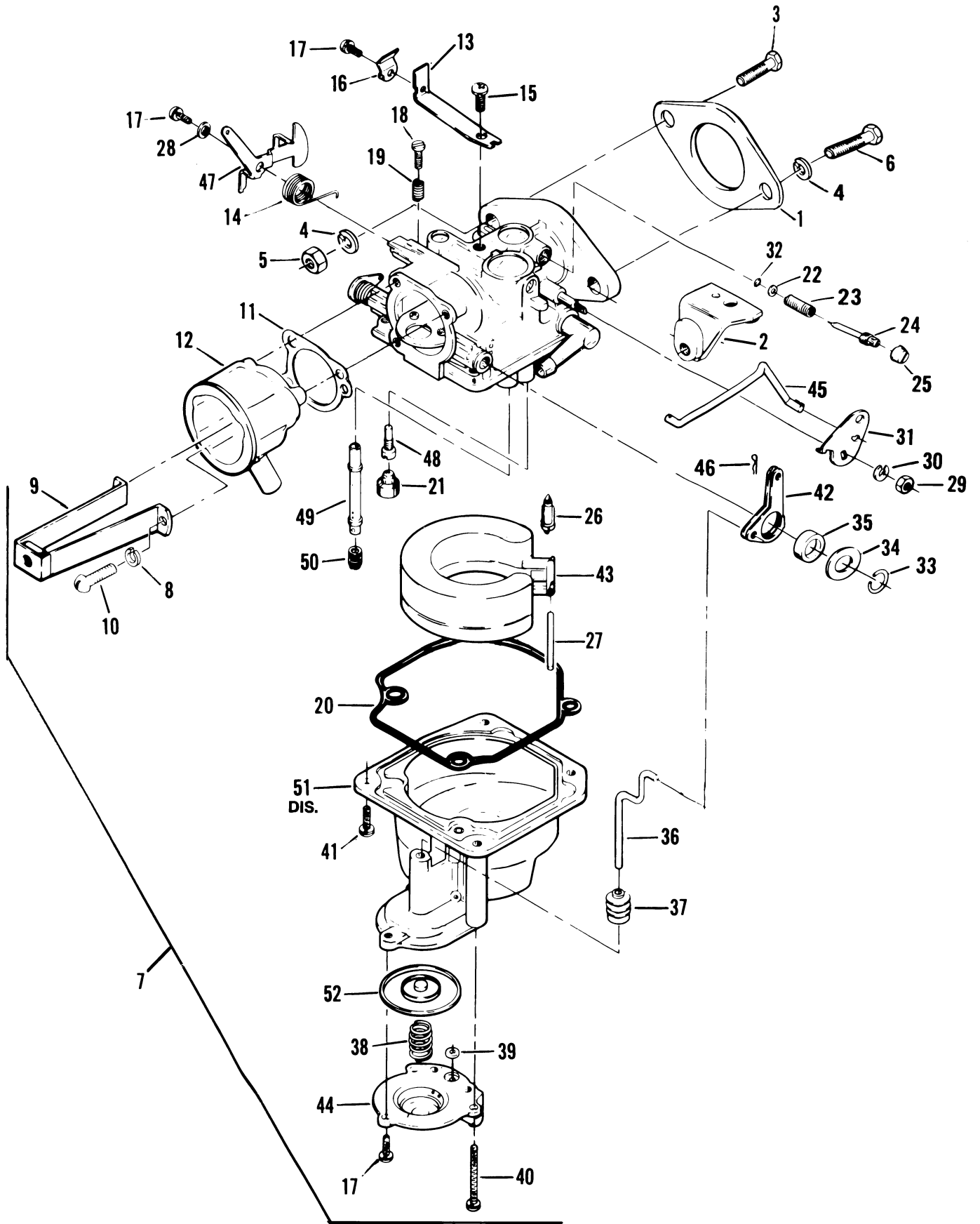
**CARBURETOR AND CONNECTOR
STAMPED B70D ON FLANGE**

Ref. No.	Part No.	Description	No. Req'd	Ref. No.	Part No.	Description	No. Req'd
1	111767	Gasket, carburetor mounting . . .	1	20	826176	•Plug, slow passage	1
2	120052	Lockwasher, #10	2	21	826178	•Washer, idle mixture screw . . .	1
3	161735	Bracket	1	22	826179	•Spring, idle mixture screw	1
4	162277	Bracket, throttle cable	1	23	826180	•Screw, idle mixture	1
5	302479	Screw, 5/16-18 x 1 1/8	1	24	826181	•Cap, idle mixture screw limiter .	1
6	306325	Lockwasher, 5/16	2	25	826184	•Valve, fuel, w/clip	1
7	306527	Screw, #10-24 x 3/4, rd. hd. . . .	2	26	826185	•Pin, float	1
8	306932	Nut, 5/16-18	1	27	826610	•Collar	1
9	307718	Screw, 5/16-24 x 1 1/8	1	28	826761	•Jet, main	1
10	825604	Connector	1	29	826762	•Nut	1
11	826444	Gasket, carburetor to conn.	1	30	826763	•Washer, spring	1
	◇	Carburetor, complete	1	31	826764	•Lever, throttle	1
12	826089	•Plate, stay, choke cable	1	32	826809	•'O' ring, idle mixture screw	1
13	826090	•Spring, lever return	1	33	827012	•Screw, bowl, short	3
14	826165	•Screw, stay plate	1	34	827013	•Bowl	DISC.
15	826166	•Bracket, choke cable set	1	35	827021	•Screw, bowl, long	1
16	826167	•Screw, bracket and housing	2	36	827799	•Jet, slow	1
17	826169	•Screw, throttle stop	1	37	827812	•Nozzle, main	1
18	826170	•Spring, throttle stop screw	1	38	829075	•Float	1
19	826171	•Gasket, bowl	1	39	829267	•Lever, choke cable	1

◇Carburetor NOT available. Order carburetor and connector, Part No. 884889, pages 22-23.

•INDENTED PART NAMES INDICATE THESE PARTS ARE INCLUDED IN PRECEDING ASSEMBLY.

**CARBURETOR AND CONNECTOR
(WITH ACCELERATOR PUMP)
STAMPED B70E ON FLANGE**



**CARBURETOR AND CONNECTOR
(WITH ACCELERATOR PUMP)
STAMPED B70E ON FLANGE**

Ref. No.	Part No.	Description	No. Req'd	Ref. No.	Part No.	Description	No. Req'd
1	111767	Gasket, carburetor mounting . . .	1	27	826185	••Pin, float	1
2	162277	Bracket, throttle cable	1	28	826610	••Collar	1
3	302479	Screw, 5/16-18 x 1 1/8	1	29	826762	••Nut	1
4	306325	Lockwasher, 5/16	2	30	826763	••Washer, spring	1
5	306932	Nut, 5/16-18	1	31	826764	••Lever, throttle	1
6	307718	Screw, 5/16-24 x 1 1/8	1	32	826809	••O' ring, idle mixture screw . . .	1
7	884889	Carburetor & connector, complete	1	33	826822	••Ring, spring	1
8	120052	•Lockwasher, #10	2	34	826823	••Washer	1
9	161735	•Bracket	1	35	826934	••Collar	1
10	306527	•Screw, #10-24 x 3/4, rd.hd. . . .	2	36	826935	••Rod, accelerator pump	1
11	826444	•Gasket, carburetor to connector	1	37	826990	••Boot	1
12	828085	•Connector	1	38	827002	••Spring	1
	◇	•Carburetor, complete	1	39	827009	••O' ring	1
13	826089	••Plate, stay, choke cable	1	40	827011	••Screw, bowl, long	1
14	826090	••Spring, lever return	1	41	827012	••Screw, bowl, short	3
15	826165	••Screw, stay plate	1	42	829074	••Lever, accelerator pump link . .	1
16	826166	••Bracket, choke cable set	1	43	829075	••Float	1
17	826167	••Screw, bracket and housing . . .	3	44	829077	••Housing, pump	1
18	826169	••Screw, throttle stop	1	45	829080	••Rod, accelerator pump link . . .	1
19	826170	••Spring, throttle stop screw . . .	1	46	829081	••Pin, rod	1
20	826171	••Gasket, bowl	1	47	829267	••Lever, choke cable	1
21	826176	••Plug, slow passage	1	48	829790	••Jet, slow	1
22	826178	••Washer, idle mixture screw . . .	1	49	829791	••Nozzle, main	1
23	826179	••Spring, idle mixture screw	1	50	829792	••Jet, main	1
24	826180	••Screw, idle mixture	1	51	830407	••Bowl	DISC.
25	826181	••Cap, idle mixture screw limiter	1	52	885021	••Diaphragm	1
26	826184	••Valve, fuel, w/clip	1				

◇Carburetor NOT available. Order carburetor and connector, Part No. 884889.

•INDENTED PART NAMES INDICATE THESE PARTS ARE INCLUDED IN PRECEDING ASSEMBLY.

**CARBURETOR AND CONNECTOR
STAMPED B11AT ON FLANGE
(WITH ACCELERATOR PUMP)**

8410 - 8510

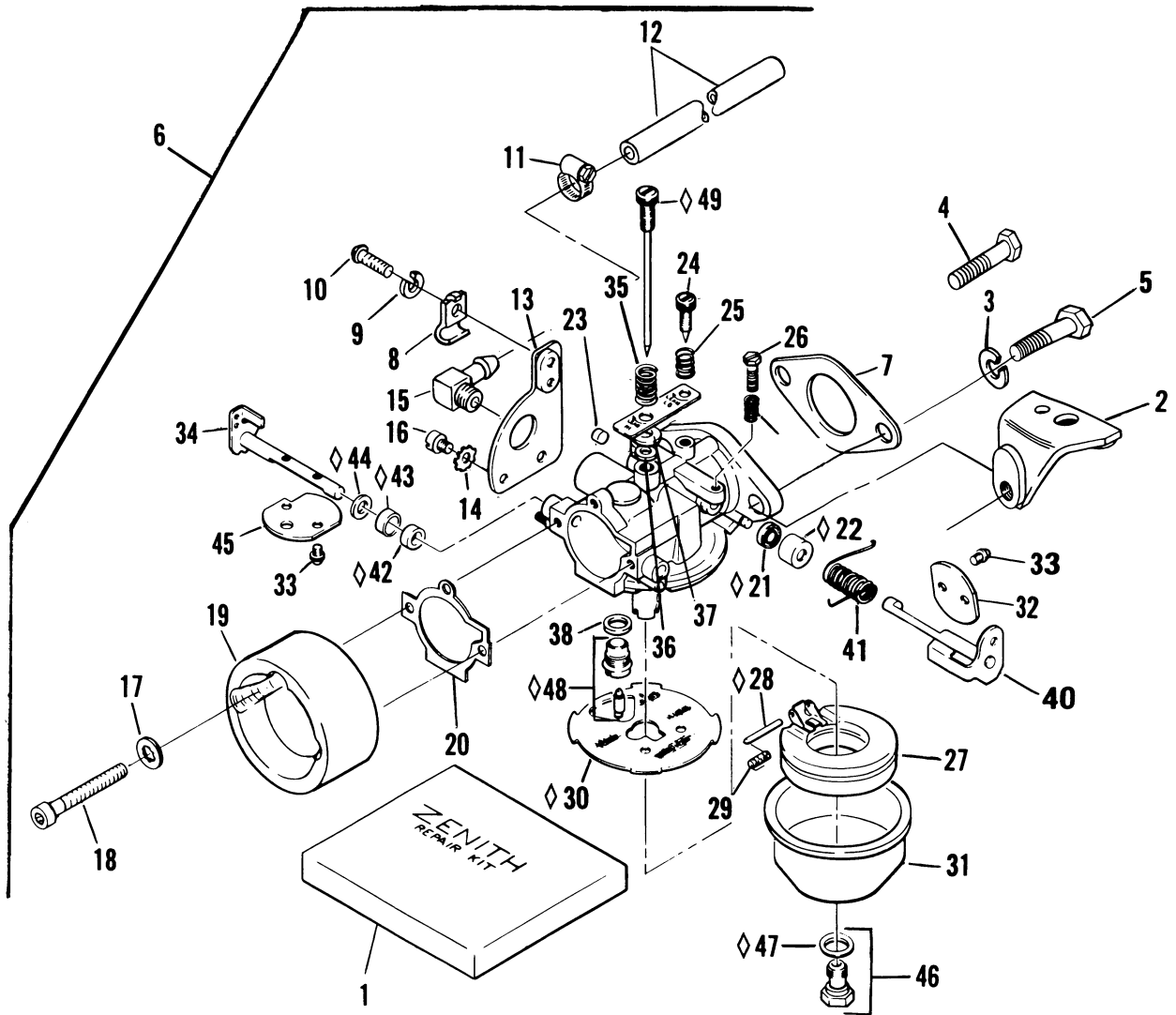
USE WITH FENDER MOUNTED AIR CLEANER

Ref. No.	Part No.	Description	No. Req'd	Ref. No.	Part No.	Description	No. Req'd
1	111767	Gasket, carburetor mounting . . .	1	27	826759	••Jet, slow	1
2	162277	Bracket, throttle cable	1	28	826761	••Jet, main	1
3	302479	Screw, 5/16-18 x 1 1/8	1	29	826762	••Nut	1
4	306325	Lockwasher, 5/16	2	30	826763	••Washer, spring	1
5	306932	Nut, 5/16-18	1	31	826764	••Lever, throttle	1
6	307718	Screw, 5/16-24 x 1 1/8	1	32	826809	••'O' ring, idle mixture screw . . .	1
7	886505	Carburetor & connector, set	1	33	826822	••Ring, spring	1
8	306527	•Screw, #10-24 x 3/4, rd.hd. . . .	2	34	826823	••Washer	1
9	826444	•Gasket, carburetor to connector	1	35	826934	••Collar	1
10	829597	•Connector	1	36	826935	••Rod, accelerator pump	1
	◇	•Carburetor, complete	1	37	826970	••Clip, accelerator pump link lever	1
11	826089	••Plate, stay, choke cable	1	38	826990	••Boot	1
12	826090	••Spring, lever return	1	39	827001	••Bowl	DISC.
13	826165	••Screw, stay plate	1	40	827002	••Spring	1
14	826166	••Bracket, choke cable set	1	41	827009	••'O' ring	1
15	826167	••Screw, bracket and housing	3	42	827010	••Housing, pump	1
16	826169	••Screw, throttle stop	1	43	827011	••Screw, bowl, long	1
17	826170	••Spring, throttle stop screw . . .	1	44	827012	••Screw, bowl, short	3
18	826171	••Gasket, bowl	1	45	829048	••Nozzle, main	1
19	826176	••Plug, slow passage	1	46	829074	••Lever, accelerator pump link . .	1
20	826178	••Washer, idle mixture screw . . .	1	47	829075	••Float	1
21	826179	••Spring, idle mixture screw	1	48	829080	••Rod, accelerator pump link . . .	1
22	826180	••Screw, idle mixture	1	49	829267	••Lever, choke cable	1
23	826181	••Cap, idle mixture screw limiter	1	50	830668	••Filter, inlet	1
24	826184	••Valve, fuel, w/clip	1	51	885021	••Diaphragm	1
25	826185	••Pin, float	1				
26	826610	••Collar	1				

◇Carburetor NOT available. Order carburetor and connector set, Part No. 886505.

•INDENTED PART NAMES INDICATE THESE PARTS ARE INCLUDED IN PRECEDING ASSEMBLY.

ZENITH CARBURETOR
8610 - 8710
ALSO
CARBURETOR CONVERSION SET
PART NO. 887492



ZENITH CARBURETOR
8610 – 8710
ALSO
CARBURETOR CONVERSION SET
PART NO. 887492

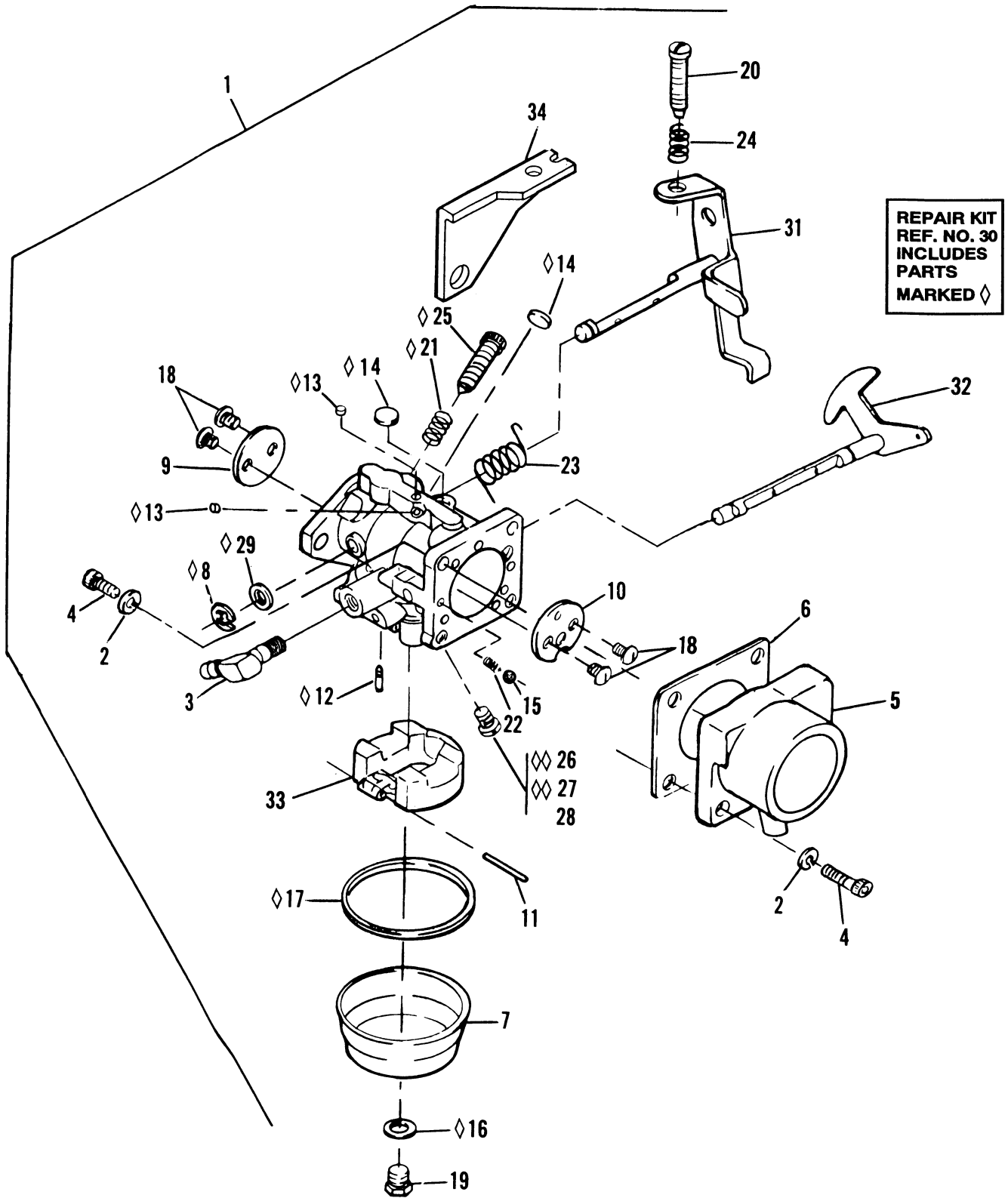
Ref. No.	Part No.	Description	No. Req'd	Ref. No.	Part No.	Description	No. Req'd
1	161768	Carburetor Repair Kit . . .	As Req'd.	23	113421	•••Plug, throttle shaft	1
2	162277	Bracket	1	24	113422	•••Needle, idle adjusting	1
3	306325	Lockwasher, 5/16	2	25	113423	•••Spring, idle needle	1
4	306504	Screw, 5/16–24 x 1	1	26	113428	•••Screw, throttle stop	1
5	307718	Screw, 5/16–24 x 1 1/8	1	27	113429	•••Float	1
6	877492	Carburetor conversion set, complete	1	28◇	113430	•••Pin, float	1
7	111767	•Gasket	1	29	113431	•••Spring, float	DISC. ◇◇
8	111898	•Clamp, cable	1	30◇	113432	•••Gasket, bowl	1
9	120052	•Lockwasher, #10	1	31	113433	•••Bowl, fuel	1
10	306460	•Screw, #10–24 x 3/8, rd.hd.	1	32	113436	•••Plate, throttle	1
11	825624	•Clamp, hose	4	33	113437	•••Screw, choke & throttle plate	4
12	826590	•Hose, fuel line 25'(7.6M) As Req'd. ◇◇ •Carburetor, connector & bracket	1	34	113438	•••Choke shaft & lever	1
13	161678	•Bracket	1	35	113441	•••Spring, main needle	1
14	301736	•Lockwasher, #10 shkprf.	2	36	113442	•••Washer, rubber	1
15	306266	•Elbow, fuel	1	37	113443	•••Washer, main needle	1
16	314492	•Screw, #10–32 x 5/16, pan hd.	2	38	113447	•••Washer, fuel valve	1
17	800489	•Lockwasher, #10 I.T. shkprf., special	3	39	113448	•••Spring, throttle stop	1
18	800498	•Cap screw, hex socket, #10–32 x 3/4	3	40	113449	•••Throttle shaft & lever	1
19	831303	•Connector	1	41	113450	•••Spring, throttle	1
20	831304	•Gasket, conn. to carb. ◇◇ •Carburetor, ZENITH	1	42◇	113451	•••Seal, choke shaft	1
21◇	113419	•••Seal, throttle shaft	1	43◇	113452	•••Retainer, shaft seal	1
22◇	113420	•••Retainer	1	44◇	113453	•••Washer, choke shaft	1
				45	113454	•••Plate, choke	1
				46	113455	•••Main jet	1
				47◇	113445	•••Washer, main jet	1
				48◇	113456	•••Valve and seat	1
				49◇	113457	•••Idle jet/main adj. needle	1

◇Included in repair kit Part No. 161768.

◇◇ Not Offered.

•INDENTED PART NAMES INDICATE THESE PARTS ARE INCLUDED IN PRECEDING ASSEMBLY.

WALBRO CARBURETOR AND CONNECTOR
PART NO. 888098
8810 AND LATER



**WALBRO CARBURETOR AND CONNECTOR
PART NO. 888098
8810 AND LATER**

Ref. No.	Part No.	Description	No. Req'd.	Ref. No.	Part No.	Description	No. Req'd.
1	888098	Carburetor and connector	1	19	832622	•Screw, bowl retainer	1
2	120052	•Lockwasher, #10	4	20	832623	•Screw, throttle adjusting	1
3	306266	•Elbow, fuel	1	21◇	832624	•Spring, idle needle	1
4	800498	•Screw, #10-32 x 3/4, socket head, Grade 8	4	22	832625	•Spring, choke friction	1
5	831984	•Connector, carburetor	1	23	832626	•Spring, throttle return	1
6	832443	•Gasket	1	24	832627	•Spring, throttle adj. screw	1
	◇◇	•Carburetor	1	25◇	832628	•Needle, idle	1
7	832610	•Bowl, fuel	1	26◇◇	832629	•Jet, main, .044, HIGH ALTITUDE	1
8◇	832611	•Clip, shaft retainer	1	27◇◇	832630	•Jet, main, .0465, HIGH ALTITUDE	1
9	832612	•Valve, throttle	1	28	832631	•Jet, main, .050, STANDARD	1
10	832613	•Valve, choke	1	29◇	832705	•Washer, throttle shaft	1
11◇	832614	•Shaft, float	1	30	888124	•Repair kit, includes parts indicated◇	As Req'd
12◇	832615	•Valve, inlet needle	1	31	888125	•Shaft, throttle	1
13◇	832616	•Plug, cup	2	32	888126	•Shaft, choke	1
14◇	832617	•Plug, welch	2	33	888127	•Float	1
15	832618	•Ball, choke friction	1	34	888226	Bracket, throttle cable	1
16◇	832619	•Gasket, bowl retainer	1	*	110893	•Plug, driven	1
17◇	832620	•Gasket, body to bowl	1	*	111767	•Gasket	1
18	832621	•Screw, throttle/choke valve	4				

INDENTED PART NAMES INDICATE THESE PARTS ARE INCLUDED IN PRECEDING ASSEMBLY

◇ Included in Repair Kit, Part No. 888124

◇◇ Part No. 832629 – Use Above 6000 Feet

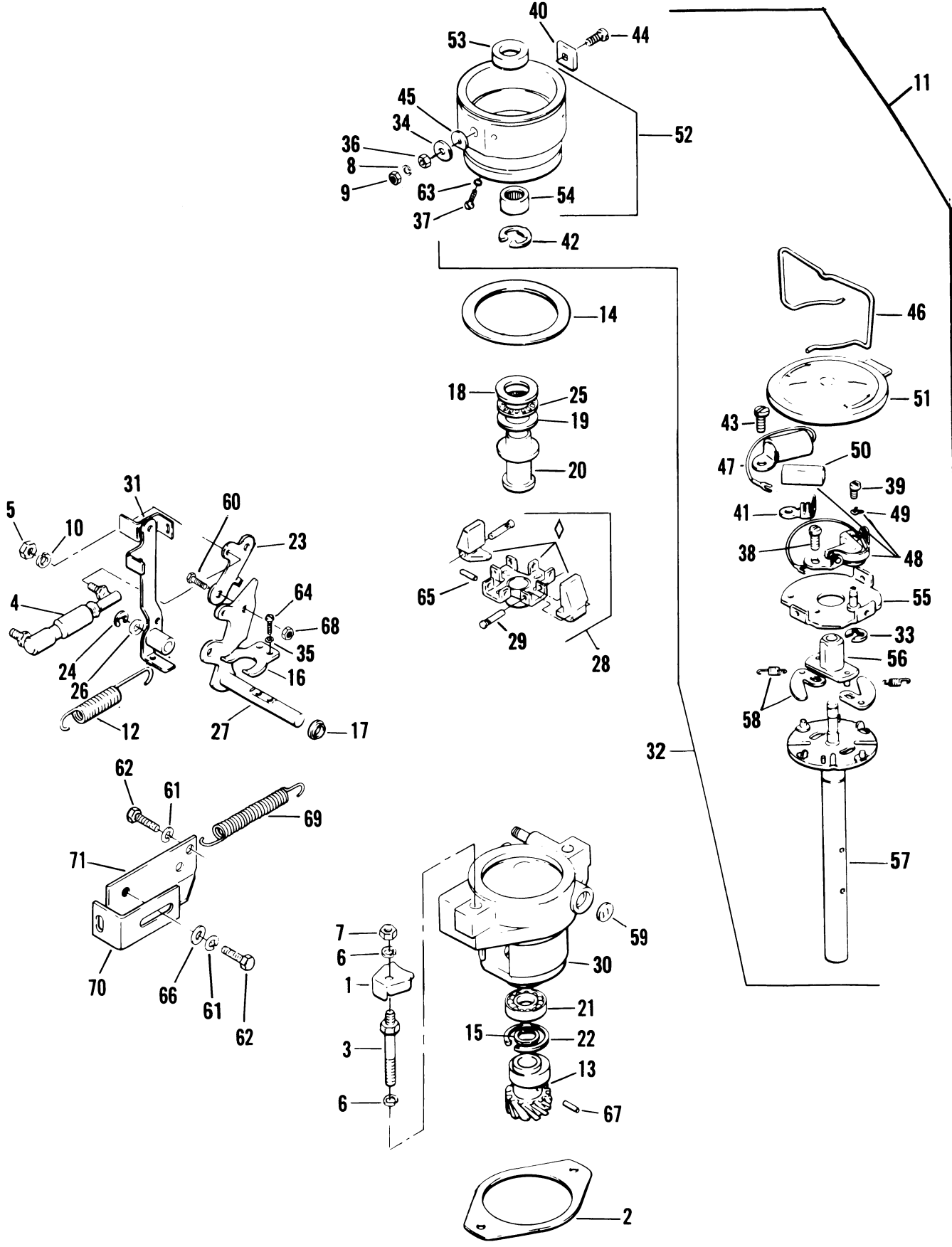
◇◇ Part No. 832630 – Use 4000 to 6000 Feet

Not included with carburetor. Order High Altitude Set, Part Number 888123.

*Not Illustrated.

◇◇◇ Not offered.

**18 H.P.
TIMER AND GOVERNOR
[2 WEIGHT]**



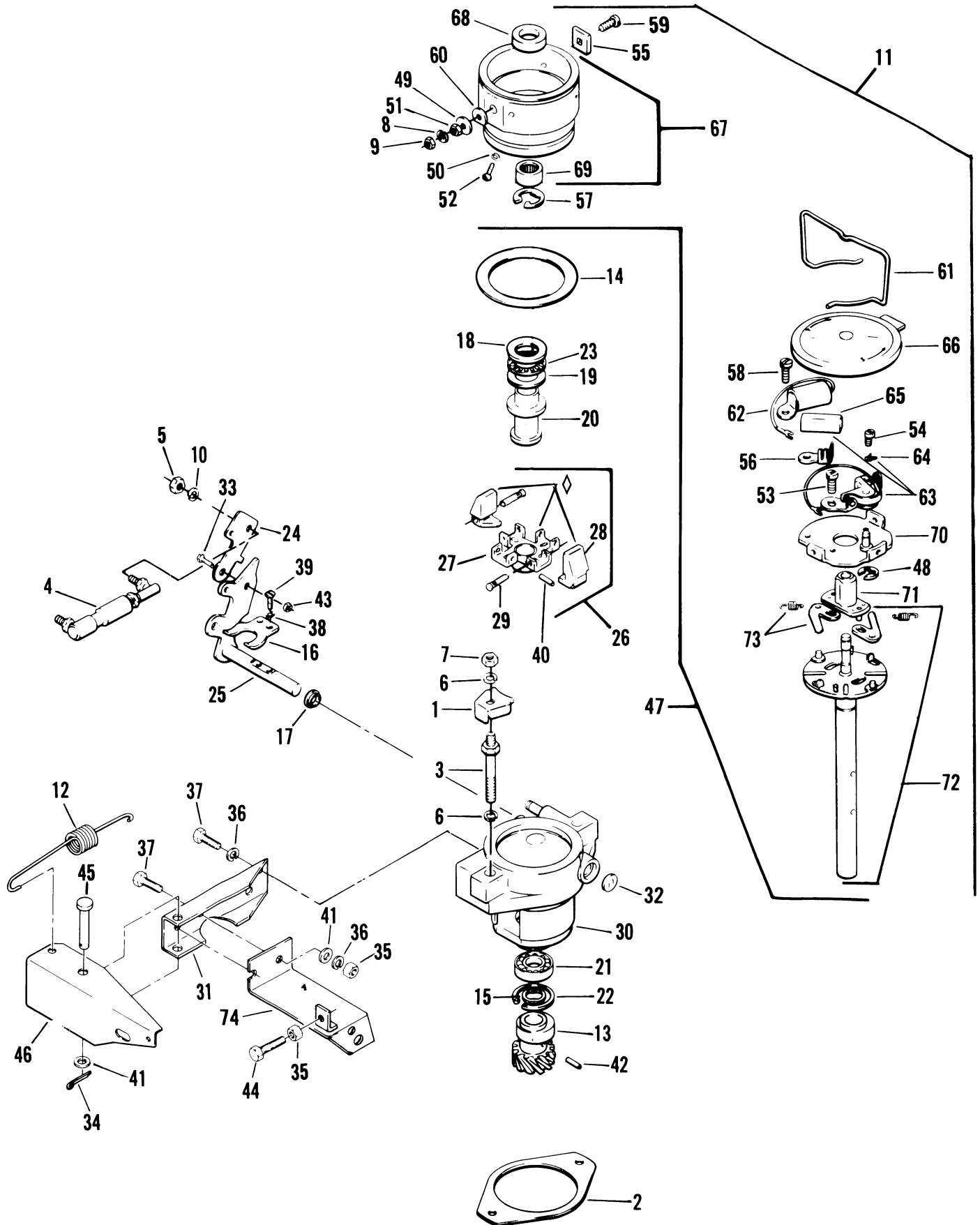
**18 H.P.
TIMER AND GOVERNOR
[2 WEIGHT]**

Ref. No.	Part No.	Description	No. Req'd.	Ref. No.	Part No.	Description	No. Req'd.
1	111768	Clamp, timer	2	36	306510	••Nut, #6-32, brass	1
2	111771	Gasket, timer	1	37	307136	••Screw, #6-32 x 5/16, filister hd.	3
3	111824	Stud, timer	2	38	308120	••Screw, #10-32 x 1/4, pan hd.	1
4	112048	Connector, ball link	1	39	510185	••Screw, eccentric	1
5	133079	Nut, #8-32	2	40	510479	••Block, insulating	1
6	306396	Lockwasher, 1/4	4	41	510480	••Clip, oiler	1
7	306397	Nut, 1/4-28	2	42	510487	••Ring, retaining	1
8	306506	Lockwasher, #6	1	43	510490	••Screw, #10-32 x 1/4, pan hd. sems	1
9	306510	Nut, #6-32, brass	1	44	510530	••Screw, terminal	1
10	306991	Lockwasher, #8	2	45	510598	••Bushing	1
11	885214	Timer and governor (2 wt.)	1	46	510599	••Bail, timer	1
12	110895	•Spring	1	47	510613	••Condenser	1
13	111755	•Gear, driven	1	48	580394	••Point set, breaker	1
14	111769	•Gasket, timer	1	49	307594	••Clip, spring	1
15	111770	•Washer, wave	1	50	581010	••Wick, oiler	1
16	111812	•Yoke	1	51	580427	••Cover, dust	1
17	111813	•Seal	1	52	580433	••Housing, bearing and seal	1
18	111814	•Washer, thrust	1	53	510499	••Seal	1
19	111816	•Washer, thrust	1	54	510505	••Bearing, needle	1
20	111817	•Spool, governor	1	55	580485	••Base and post	1
21	111822	•Bearing, ball	1	56	580518	••Cam and pin	1
22	111823	•Ring, retaining	1	57	887261	••Shaft & weight base	1
23	111891	•Lever	1	58	887262	••Spring & weight set (2 each)	1
24	111939	•Ring, retaining	1	59	202310	•Plug, 1/2", expansion	1
25	112840	•Bearing, thrust	1	60	300977	•Screw, 1/4-28 x 5/8	1
26	120590	•Washer, special	1	61	306396	•Lockwasher, 1/4	3
27	160409	•Lever and shaft	1	62	306487	•Screw, 1/4-20 x 5/8	3
28	160411	•Carrier and weight	1	63	306506	•Lockwasher, #6	2
	◇	••Carrier	1	64	306915	•Screw, #6-32 x 5/16	2
	◇	••Weight	2	65	306966	•Pin, 1/8 x 3/4, roll	1
29	111820	••Pin, weight	2	66	308090	•Washer, 1/4	1
30	160423	•Housing and pin	1	67	603501	•Pin, spirol, 1/8 x 3/4	1
31	160836	•Arm, throttle	1	68	800048	•Nut, 1/4-28, lock	1
32	161902	•Timer, complete	1	69	828547	•Spring	1
33	111939	••Ring, retaining	1	70	828548	•Bracket	1
34	121038	••Washer, #6, brass	1	71	885738	•Bracket	1
35	306506	••Lockwasher, #6	3				

◇DISCONTINUED, use Part No. 160411.

•INDENTED PART NAMES INDICATE THESE PARTS ARE INCLUDED IN PRECEDING ASSEMBLY.

**22 H.P.
GOVERNOR AND CONTROL
(4 WEIGHT TIMER)**

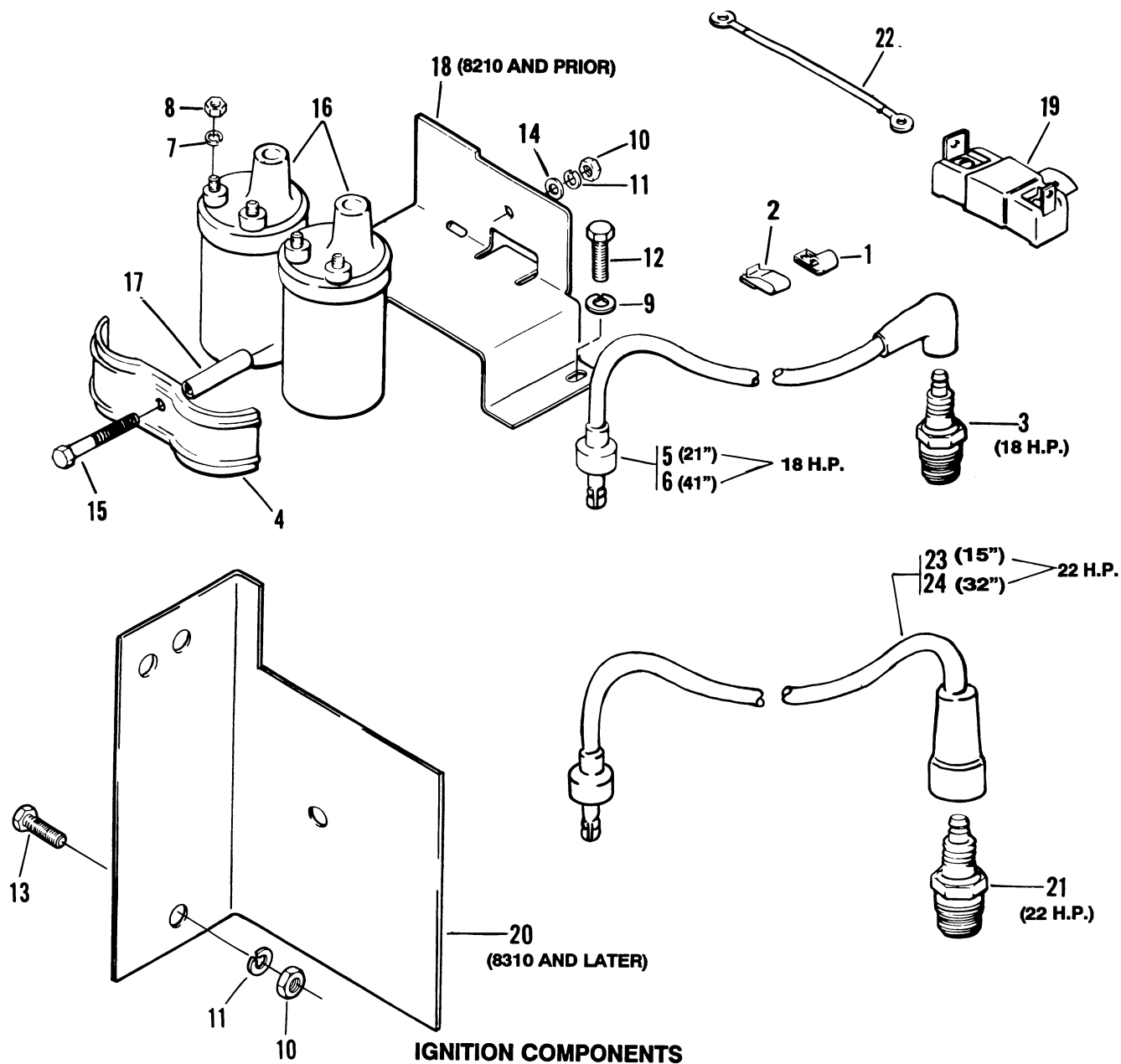


**22 H.P.
GOVERNOR AND CONTROL
(4 WEIGHT TIMER)**

Ref. No.	Part No.	Description	No. Req'd.	Ref. No.	Part No.	Description	No. Req'd.
1	111768	Clamp, timer	2	39	306915	•Screw, #6-32 x 5/16, pan hd.	2
2	111771	Gasket, timer	1	40	306966	•Pin, roll, 1/8 x 3/4	1
3	111824	Stud, timer	2	41	308090	•Washer, 1/4	3
4	112048	Connector, ball link	1	42	603501	•Pin, spirol, 1/8 x 3/4	1
5	133079	Nut, #8-32	2	43	800048	•Nut, lock, 1/4-28	1
6	306396	Lockwasher, 1/4	4	44	800263	•Screw, 1/4-20 x 1 1/4, P.T.H.	1
7	306397	Nut, 1/4-28	2	45	830784	•Pin, governor pivot	1
8	306506	Lockwasher, #6	1	46	832553	•Arm, governor pivot	1
9	306510	Nut, #6-32, brass	1	47	886835	•Timer, complete	1
10	306991	Lockwasher, #8	2	48	111939	••Ring, retaining	1
11	886914	Timer and governor (4 wt.)	1	49	121038	••Washer, #6, brass	1
12	110700	•Spring, governor control	1	50	306506	••Lockwasher, #6	3
13	111755	•Gear, driven	1	51	306510	••Nut, #6-32, brass	1
14	111769	•Gasket, timer	1	52	307136	••Screw, #6-32 x 5/16, filister hd.	3
15	111770	•Washer, wave	1	53	308120	••Screw, #10-32 x 1/4, pan hd.	1
16	111812	•Yoke	1	54	510185	••Screw, eccentric	1
17	111813	•Seal	1	55	510479	••Block, insulating	1
18	111814	•Washer, thrust	1	56	510480	••Clip, oiler	1
19	111816	•Washer, thrust	1	57	510487	••Ring, retaining	1
20	111817	•Spool, governor	1	58	510490	••Screw, #10-32 x 1/4, pan hd., sems	1
21	111822	•Bearing, ball	1	59	510530	••Screw, terminal	1
22	111823	•Ring, retaining	1	60	510598	••Bushing	1
23	112840	•Bearing, thrust	1	61	510599	••Bail, timer	1
24	114308	•Lever	1	62	510613	••Condenser	1
25	160409	•Lever and shaft	1	63	580394	••Point set, breaker	1
26	160410	•Carrier and weight (4 wt.)	1	64	307594	•••Clip, spring	1
27	◇	••Carrier	◇1	65	581010	•••Wick, oiler	1
28	◇	••Weight, governor	◇4	66	580427	••Cover, dust	1
29	111820	••Pin, weight	4	67	580433	••Housing, bearing and seal	1
30	160423	•Housing and pin	1	68	510499	••Seal	1
31	160766	•Bracket and pin	1	69	510505	••Bearing, needle	1
32	202310	•Plug, 1/2", expansion	1	70	580485	••Base and post	1
33	300977	•Screw, 1/4-28 x 5/8	1	71	580518	••Cam and pin	1
34	306328	•Pin, cotter, 3/32 x 3/4	1	72	887235	••Shaft and weight base w/spring and weights	1
35	306375	•Nut, 1/4-20	3	73	887260	•••Spring and weight (2 ea.) set	1
36	306396	•Lockwasher, 1/4	4	74	888093	•Bracket, governor cable	1
37	306487	•Screw, 1/4-20 x 5/8	4				
38	306506	•Lockwasher, #6	2				

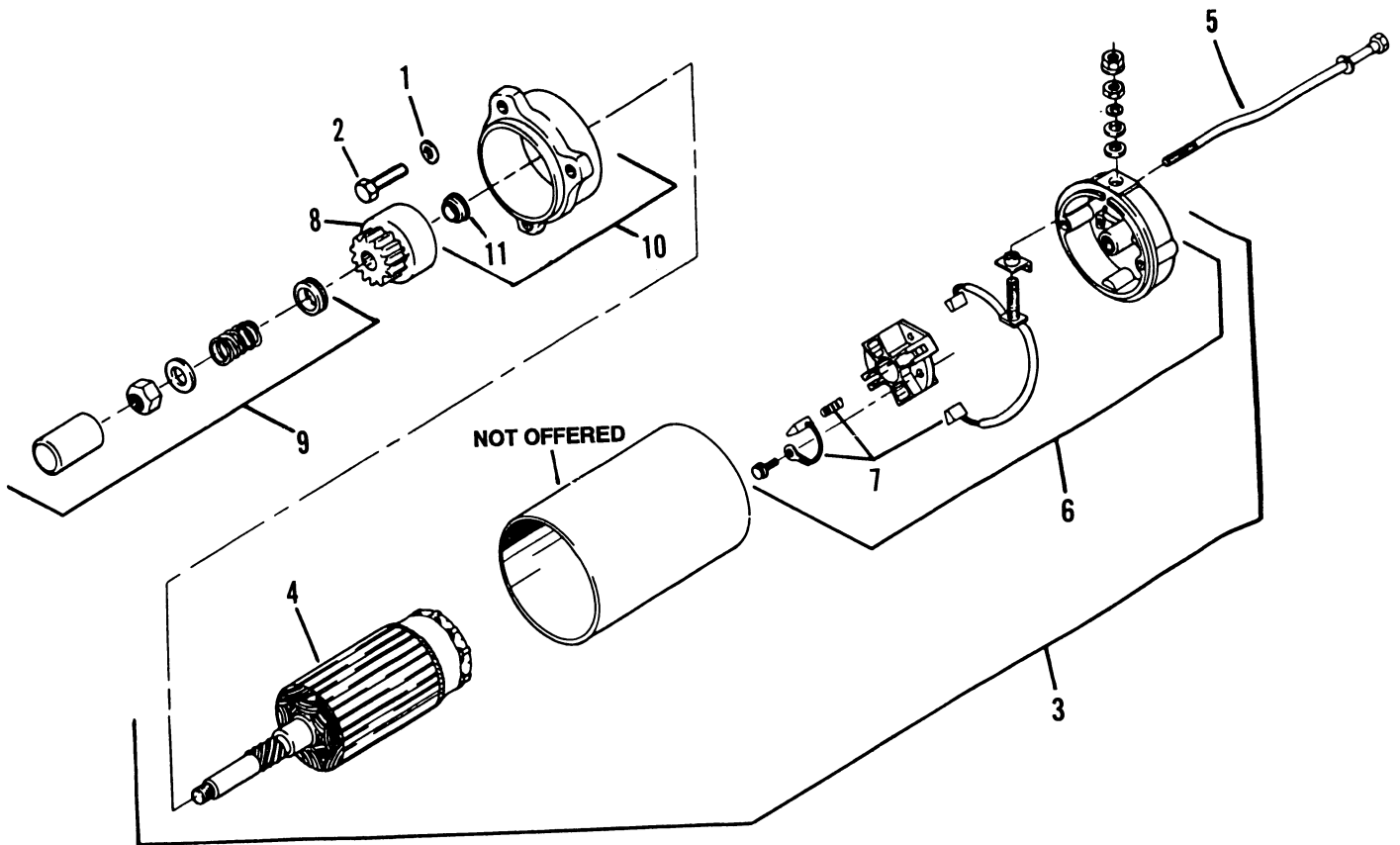
◇Discontinued—Use Part No. 160410.

INDENTED PART NAMES INDICATE THESE PARTS ARE INCLUDED IN PRECEDING ASSEMBLY



IGNITION COMPONENTS

Ref. No.	Part No.	Description	No. Req'd	Ref. No.	Part No.	Description	No. Req'd
1	111886	Clip, wire	1	14	308090	Washer, 1/4	1
2	111887	Clip, wire	1	15	316907	Screw, 1/4-20 x 2 3/4	1
3	111960	Plug, spark (18 H.P.)	2	16	383444	Coil, ignition	2
4	112940	Clamp, ignition coil	1	17	823319	Spacer	1
5	113745	Wire, RIGHT plug 21"(533 mm), 18 H.P.	1	18	825731	Bracket, coil mounting (8210 & Prior)	1
6	113746	Wire, LEFT plug 41"(1046 mm), 18 H.P.	1	19	825994	Resistor, ignition	1
7	120052	Lockwasher, #10	4	20	829586	Bracket, coil mounting (8310 & Later)	1
8	132520	Nut, #10-32	4	21	838191	Plug, spark (22 H.P.)	2
9	306325	Lockwasher, 5/16	1	22	884384	Wire, ignition coil	1
10	306375	Nut, 1/4-20	3	23	886898	Wire, RIGHT plug 15"(381 mm), 22 H.P.	1
11	306396	Lockwasher, 1/4	3	24	886899	Wire, LEFT plug 32"(818 mm), 22 H.P.	1
12	306450	Screw, 5/16-18 x 3/4	1				
13	306487	Screw, 1/4-20 x 5/8	2				



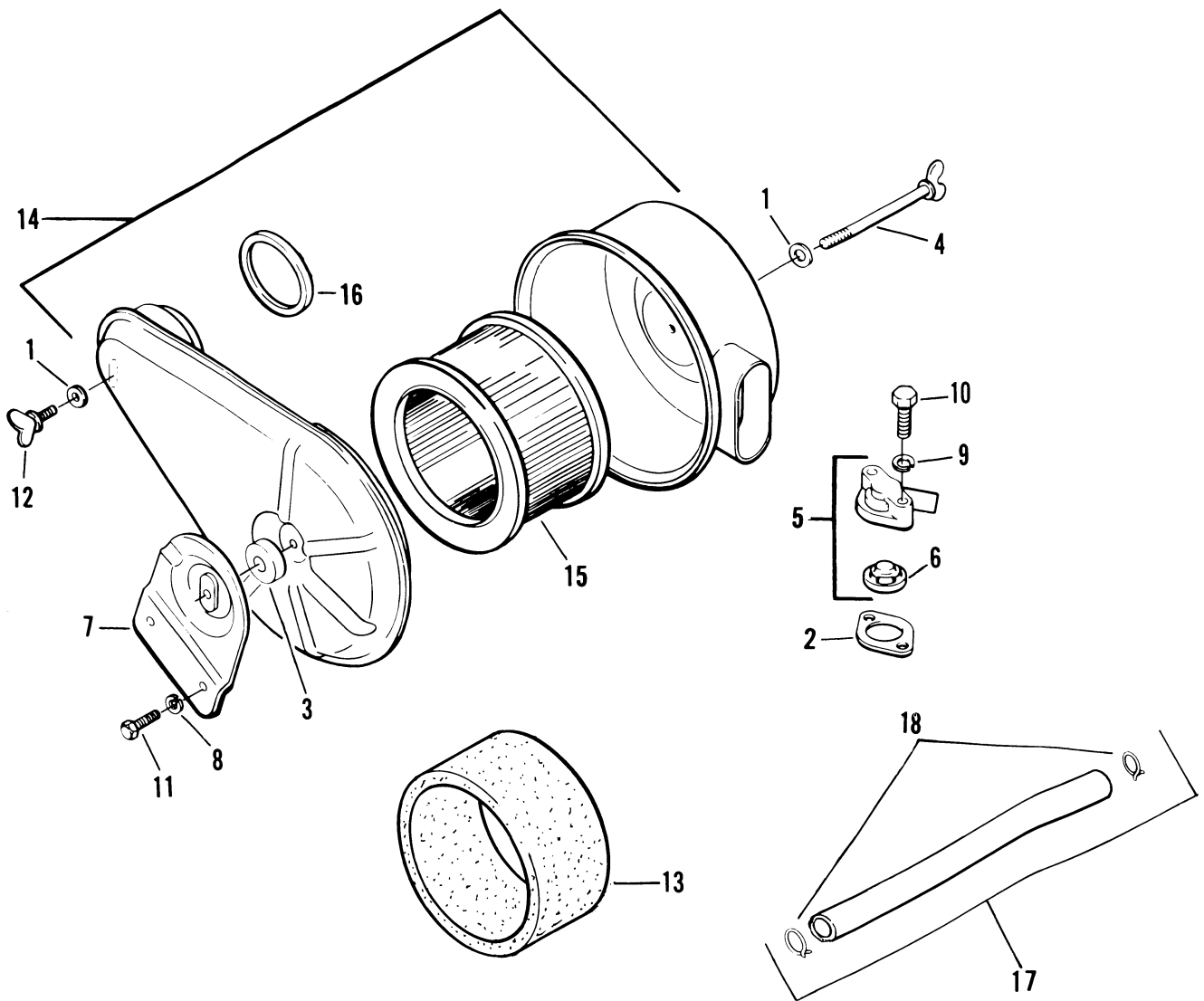
STARTER MOTOR

Ref. No.	Part No.	Description	No. Req'd	Ref. No.	Part No.	Description	No. Req'd
1	120177	Lockwasher, 3/8	5	8	887923	••Drive	1
2	306414	Screw, 3/8-16 x 1	3	*	885987	•••SPECIAL grease	1
3	884982	Starter motor set, complete	1	9	887924	••Drive kit	1
	◇	•Starter motor	1	*	885987	•••SPECIAL grease	1
4	318584	••Armature	1	10	888033	••End cap & seal kit	1
5	826087	••Bolts, thru package (includes two bolts & two lockwashers)	1	11	832481	•••Seal, starter drive	1
6	887515	••Cap w/brushes & springs	1	*	885987	•••SPECIAL grease	1
7	385952	•••Brush & spring kit	1	◇		•••Cap, drive end	1

*Not illustrated.

◇Not offered.

•INDENTED PART NAMES INDICATE THESE PARTS ARE INCLUDED IN PRECEDING ASSEMBLY.

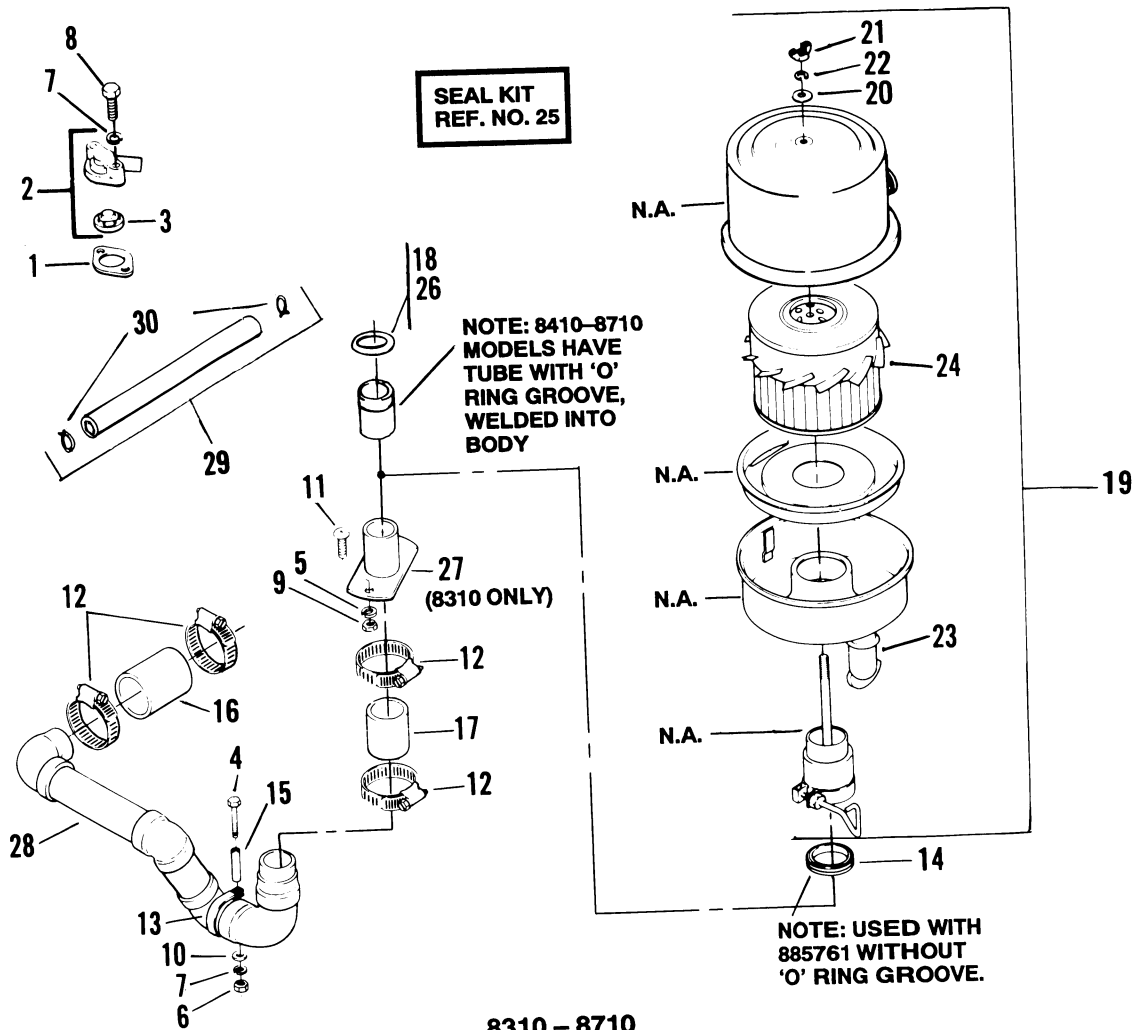


**8210 AND PRIOR
AIR CLEANER, PRE-CLEANER & CRANKCASE BREATHER**

Ref. No.	Part No.	Description	No. Req'd	Ref. No.	Part No.	Description	No. Req'd
1	111173	Washer, rubber seal	2	11	306555	Screw, 5/16-18 x 5/8	2
2	111834	Gasket, breather housing	1	12	604213	Screw, wing	1
3	111877	Gasket	1	13	827374	Pre-cleaner	1
4	111881	Screw, wing	1	14	884209	Air cleaner	1
5	160387	Cover & valve	1	15	111316	•Element, air cleaner	1
6	111744	•Valve, breather	1	*	111332	•Decal, air cleaner	1
7	160401	Bracket	1	16	831006	•Gasket, adapter	1
8	306325	Lockwasher, 5/16	2	17	888487	Hose kit, breather	1
9	306396	Lockwasher, 1/4	2	18	832949	•Clamp, hose	2
10	306418	Screw, 1/4-20 x 1 1/8	2				

*Not illustrated.

•INDENTED PART NAMES INDICATE THESE PARTS ARE INCLUDED IN PRECEDING ASSEMBLY.



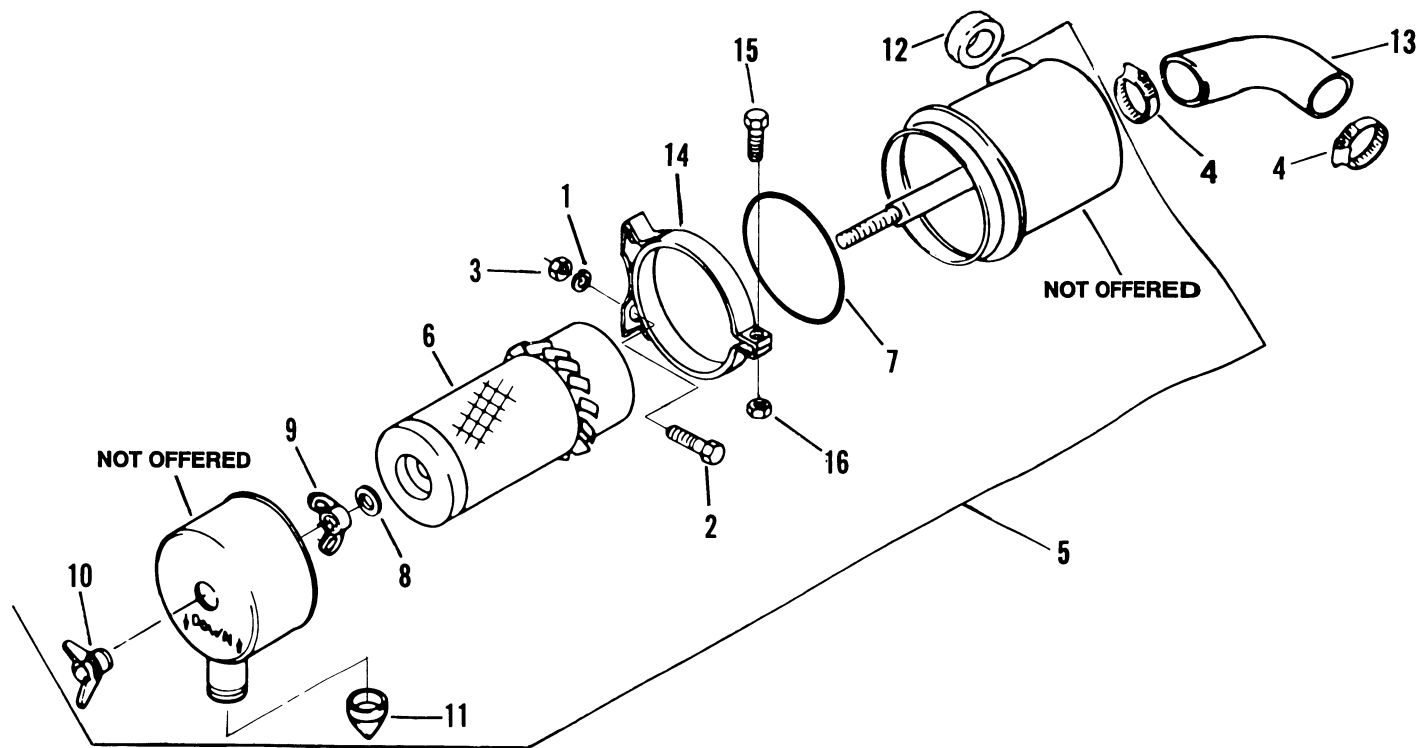
**8310 - 8710
FENDER MOUNT ADAPTER, AIR CLEANER;
CRANKCASE BREATHER, HOSES, CLAMPS AND TUBE**

Ref. No.	Part No.	Description	No. Req'd	Ref. No.	Part No.	Description	No. Req'd
1	111834	Gasket, breather housing	1	16	829601	Hose	1
2	160387	Cover & valve	1	17	829619	Hose	1
3	111744	•Valve, breather	1	18	829971	'O' ring	1
4	302754	Screw, 1/4-20 x 2 1/4	1	19	885183	Air cleaner, complete	1
5	306325	Lockwasher, 5/16	2	20	828183	•Washer	1
6	306375	Nut, 1/4-20	1	21	828184	•Nut, wing	1
7	306396	Lockwasher, 1/4	1	22	828185	•Lockwasher	1
8	306418	Screw, 1/4-20 x 1 1/8	2	23	830804	•Valve	1
9	306932	Nut, 5/16-18	4	24	885497	•Element	1
10	308090	Washer, 1/4	1	25*	887181	•Seal kit	1
11	800177	Screw, 5/16-18 x 3/4, P.T.H.	2	26	829971	••'O' ring	1
12	825358	Clamp, hose	4	27	885761	Adapter (8310)	1
13	826457	Clamp, hose	1	28	886407	Tube	1
14	827917	Seal, dust	1	29	888487	Hose kit, breather	1
15	829583	Support, clamp	1	30	832949	•Clamp, hose	2

N.A. indicates NOT AVAILABLE.

*Not Illustrated.

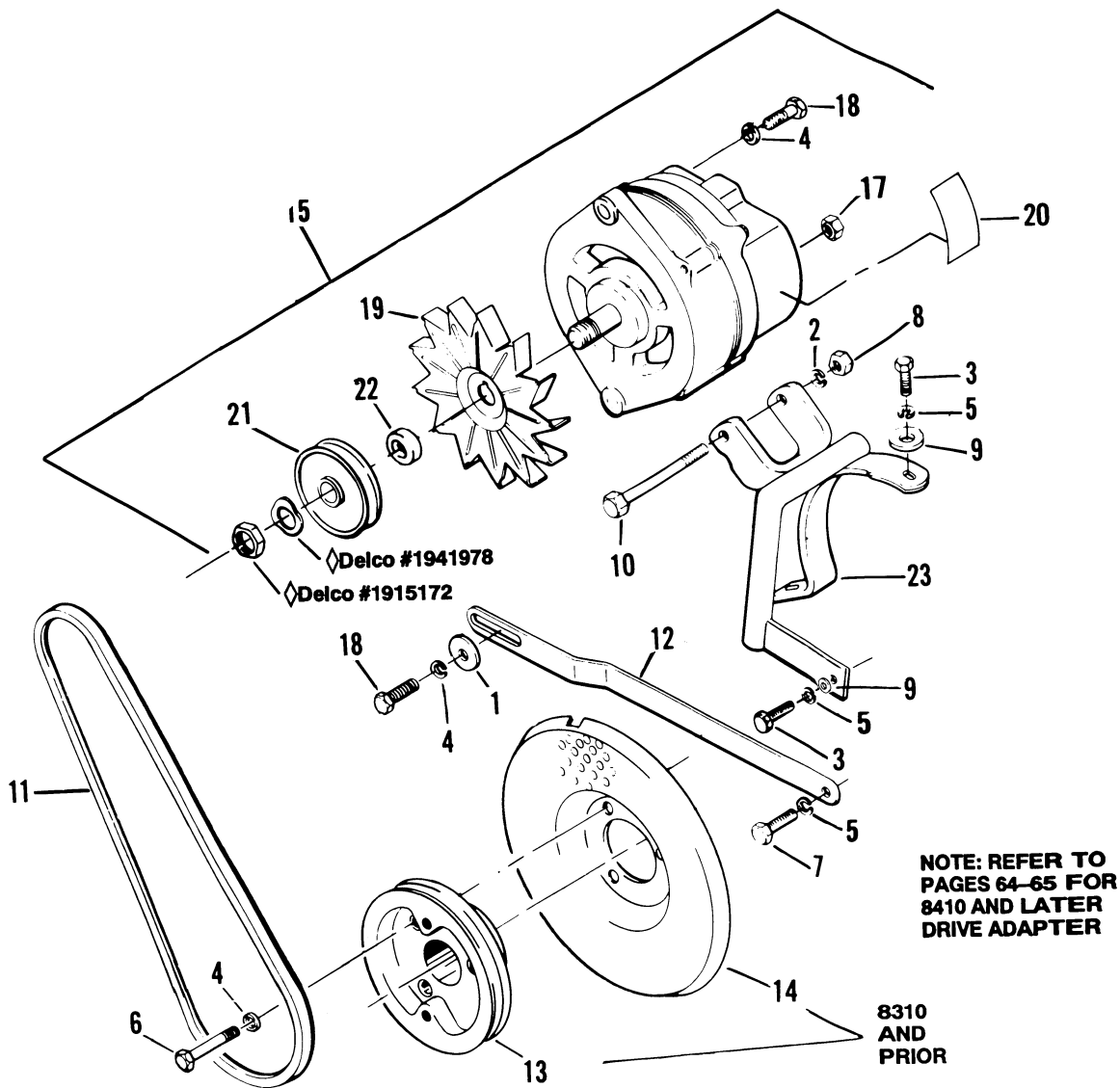
•INDENTED PART NAMES INDICATE THESE PARTS ARE INCLUDED IN PRECEDING ASSEMBLY.



**AIR CLEANER
8810 AND LATER**

Ref. No.	Part No.	Description	No. Req'd	Ref. No.	Part No.	Description	No. Req'd
1	306325	Lockwasher, 5/16	2	9	832607	•Wing nut, element	1
2	306450	Screw, 5/16-18 x 3/4	2	10	832608	•Wingnut, cover	1
3	306932	Nut, 5/16-18	2	11	832609	•Valve, dust ejector	1
4	825358	Clamp, hose	2	12	832551	Gasket	1
5	832460	Air cleaner, complete	1	13	832552	Hose	1
6	832537	•Element, air cleaner	1	14	888075	Mounting, air cleaner	1
7	832605	•'O' ring	1	15	302288	•Screw, 1/4-20 x 1	1
8	832606	•Washer	1	16	306375	•Nut, 1/4-20	1

•INDENTED PART NAMES INDICATE THESE PARTS ARE INCLUDED IN PRECEDING ASSEMBLY.



ALTERNATOR, ADAPTER AND FLYWHEEL SCREEN

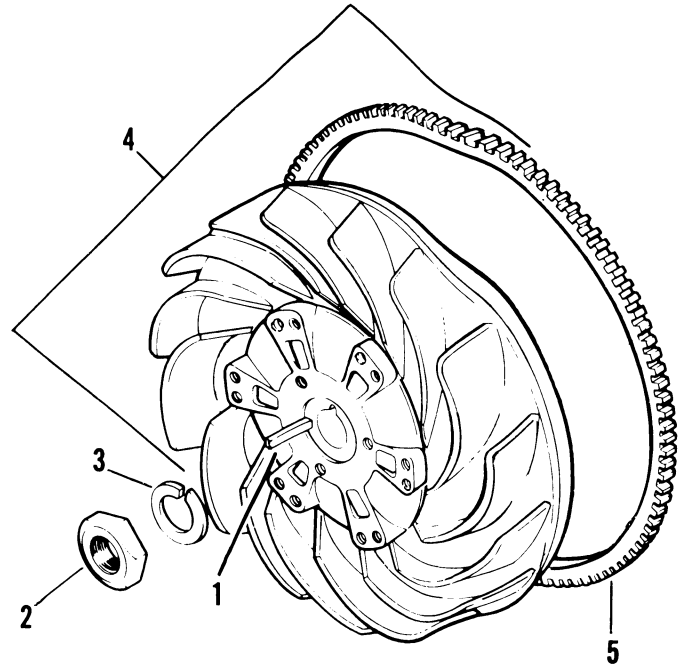
Ref. No.	Part No.	Description	No. Req'd	Ref. No.	Part No.	Description	No. Req'd
				14	827383	Screen, flywheel (8310 & Prior)	1
				15	883239	Alternator set (w/fan & pulley)	1
1	103867	Washer, 5/16	1	16	306325	•Lockwasher, 5/16	1
2	120177	Lockwasher, 3/8	1	17	800413	•Nut, M6 x 1	1
3	302288	Screw, 1/4-20 x 1	3	18	800414	•Screw, M8 x 1.25 x 30 mm	2
4	306325	Lockwasher, 5/16	4	19	816867	•Fan	1
5	306396	Lockwasher, 1/4	4	20	826468	•Decal	1
6	306423	Screw, 5/16-18 x 1 3/4	3	21	830377	•Pulley, alternator	1
7	306487	Screw, 1/4-20 x 5/8	1	22	830378	•Spacer, pulley	1
8	306562	Nut, 3/8-16	1		◇	•Nut, order Delco #1915172	1
9	308090	Washer, 1/4	3		◇	•Washer, wave, order Delco #1941978	1
10	311213	Screw, 3/8-16 x 3	1	23	888638	Bracket set, alternator	1
11	816864	Belt, V	1				
12	816873	Bracket, alternator adjustment	1				
13	827085	Adapter, drive (8310 & Prior)	1				

◇May be obtained from Delco Service Center.

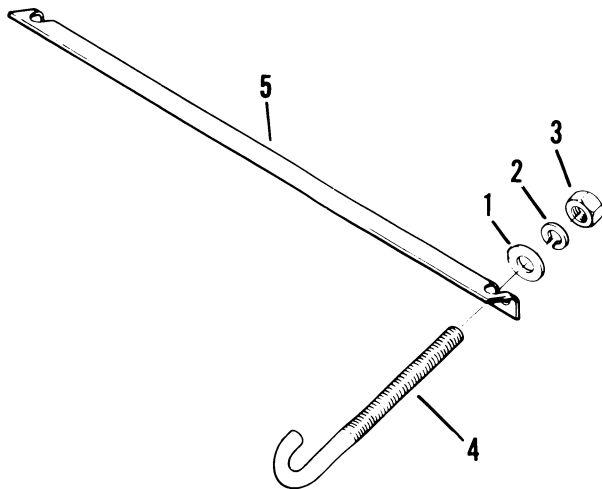
•INDENTED PART NAMES INDICATE THESE PARTS ARE INCLUDED IN PRECEDING ASSEMBLY.

FLYWHEEL

Ref. No.	Part No.	Description	No. Req'd
1	111807	Key	1
2	305134	Nut, jam 7/8-14	1
3	308008	Lockwasher, 7/8	1
4	580563	Flywheel & gear	1
5	510551	•Gear, ring	1

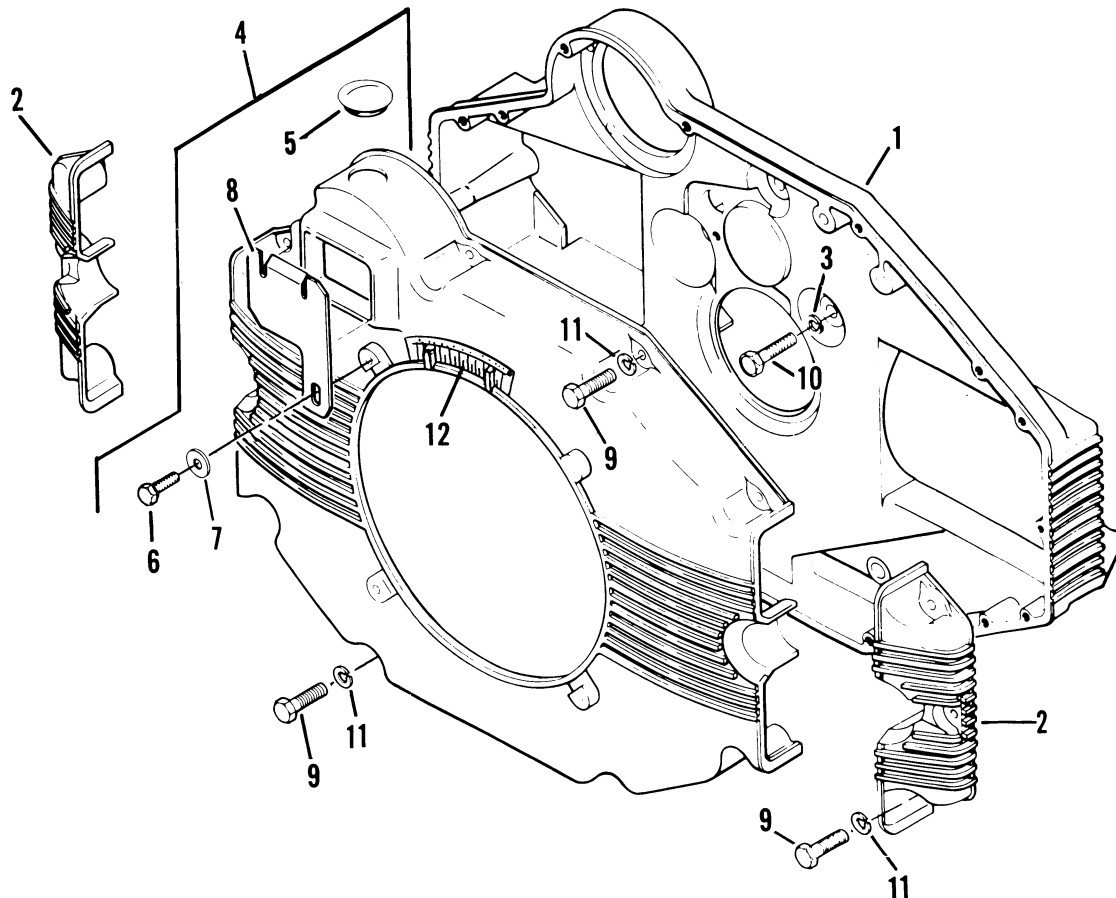


•INDENTED PART NAMES INDICATE THESE PARTS ARE INCLUDED IN PRECEDING ASSEMBLY.



BATTERY HOLDDOWN

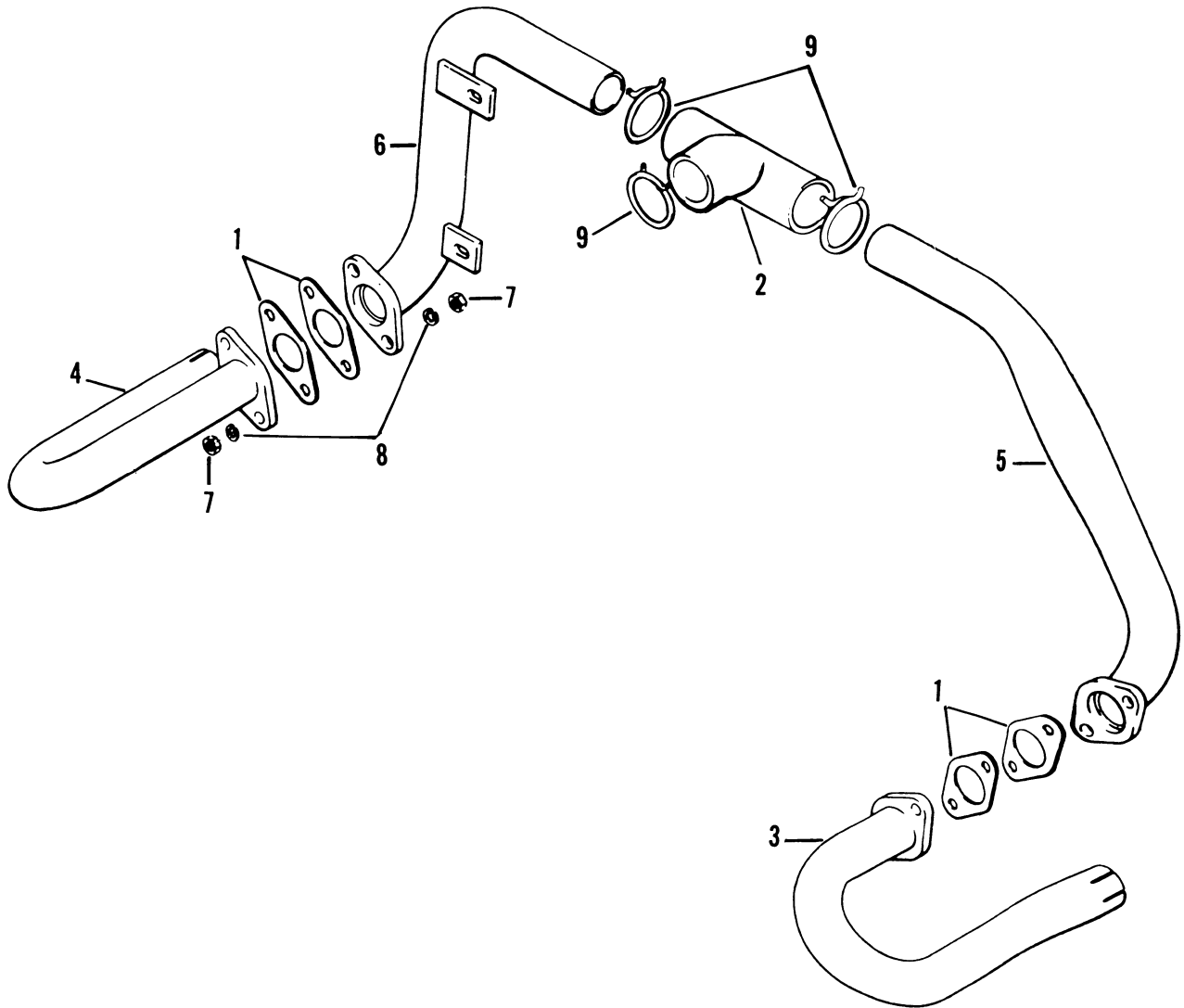
Ref. No.	Part No.	Description	No. Req'd
1	103867	Washer, 5/16	2
2	306325	Lockwasher, 5/16	2
3	306932	Nut, 5/16-18	2
4	806953	Bolt, battery	2
5	815847	Holddown, battery	2



FAN HOUSING

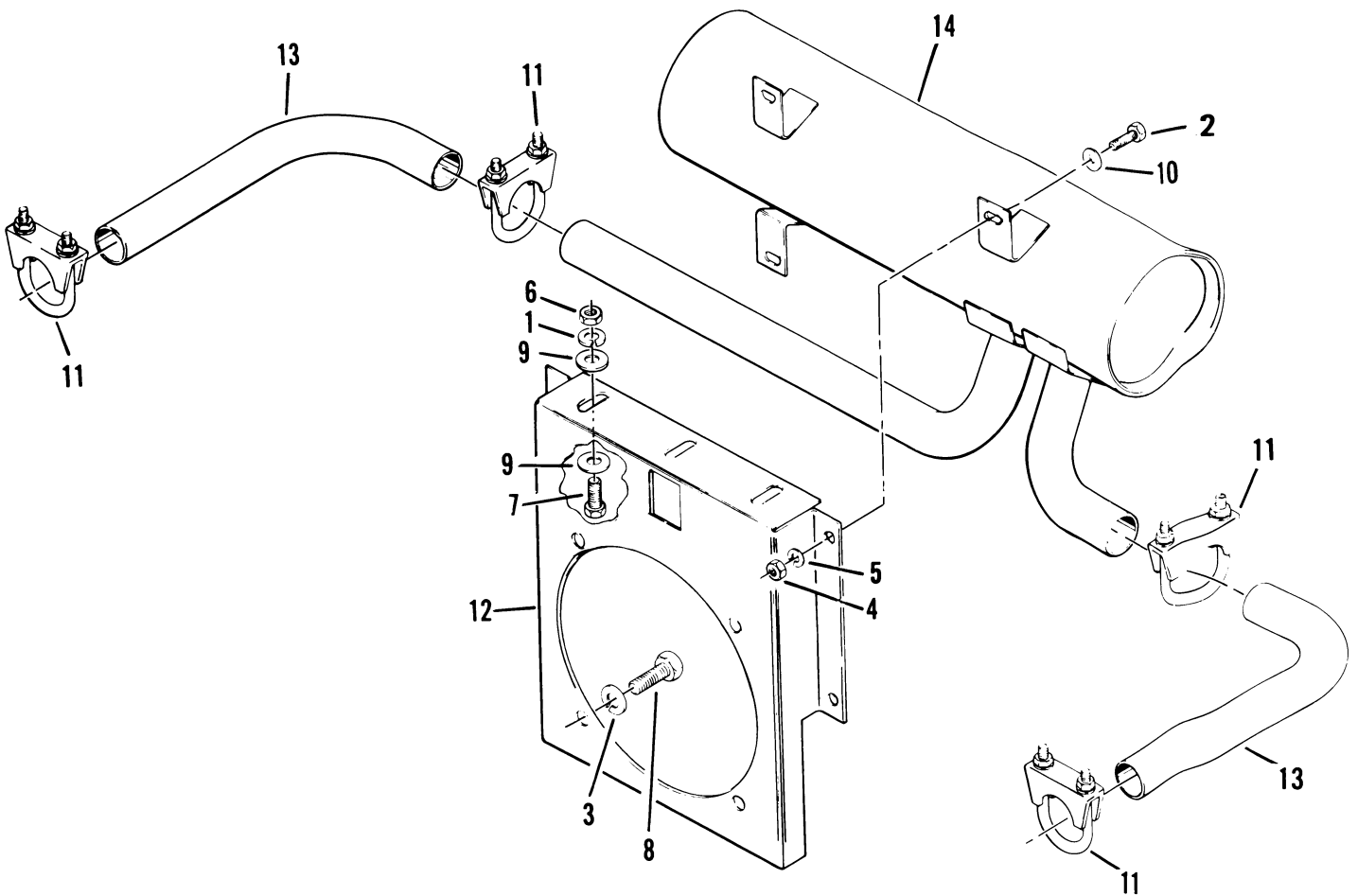
Ref. No.	Part No.	Description	No. Req'd	Ref. No.	Part No.	Description	No. Req'd
1	111796	Housing, rear fan	1	7	308090	•Washer, 1/4	1
2	111797	Cap, fan housing	2	8	825621	•Cover, access hole	1
3	120177	Lockwasher, 3/8	5	9	302288	Screw, 1/4-20 x 1	15
4	160365	Housing, front fan	1	10	302600	Screw, 3/8-16 x 1 1/2	5
5	112002	•Plug, rubber	1	11	306396	Lockwasher, 1/4	15
6	306419	•Screw, 1/4-20 x 1/2	1	12	830910	Decal, timing	1

•INDENTED PART NAMES INDICATE THESE PARTS ARE INCLUDED IN PRECEDING ASSEMBLY.



MANIFOLDS

Ref. No.	Part No.	Description	No. Req'd.	Ref. No.	Part No.	Description	No. Req'd.
1	111761	Gasket, manifold	4	6	160835	Manifold, intake, RIGHT	1
2	111908	Connector, carb. to intake	1	7	306320	Nut, 5/16-24	8
3	160395	Manifold, exhaust, LEFT	1	8	306325	Lockwasher, 5/16	8
4	160396	Manifold, exhaust, RIGHT	1	9	308180	Clamp	3
5	160397	Manifold, intake, LEFT	1				



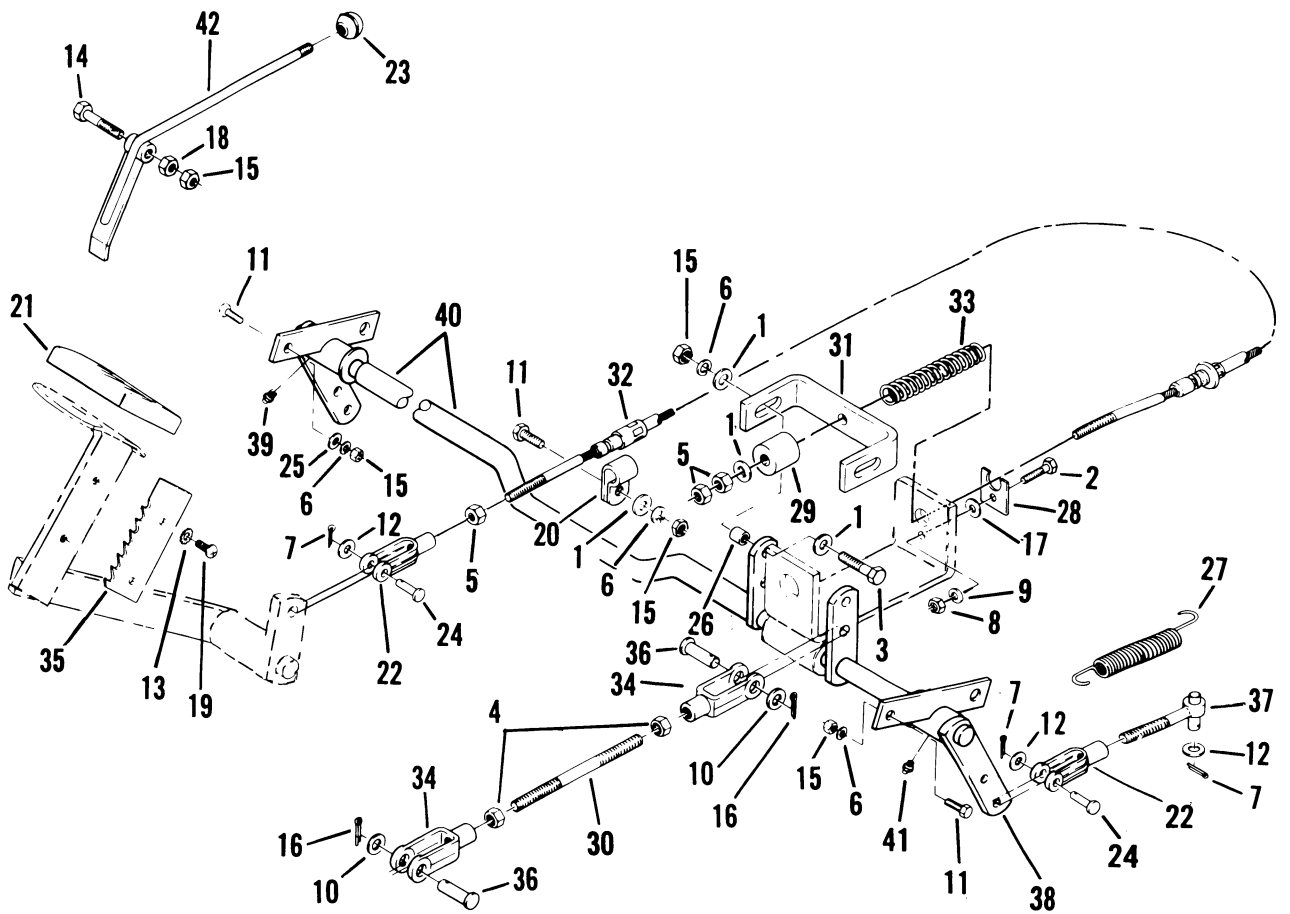
EXHAUST SYSTEM AND ENGINE SUPPORT

Ref. No.	Part No.	Description	No. Req'd	Ref. No.	Part No.	Description	No. Req'd
1	120177	Lockwasher, 3/8	3	8	306838	Screw, 7/16-14 x 1	4
2	300646	Screw, 1/4-20 x 3/4	3	9	306981	Washer, 3/8	6
3	303269	Lockwasher, 7/16	4	10	308090	Washer, 1/4	3
4	306375	Nut, 1/4-20	3	11	813688	Clamp, exhaust tube	4
5	306396	Lockwasher, 1/4	3	12	827101	Support, engine, rear	1
6	306562	Nut, 3/8-16	3	13	827118	Tube, muffler inlet	2
7	306834	Screw, 3/8-16 x 3/4	3	14	885116	Muffler	1

**LINKAGE: TRACTION ASSIST PEDALS, BRAKE SHAFTS,
WHEEL BRAKE AND PARKING BRAKE**

NOTE

BEGINNING WITH THE 8310 MODEL 898804
THE BRAKE SHAFTS ARE ATTACHED WITH
SCREWS, NOT WELDED TO THE BODY.

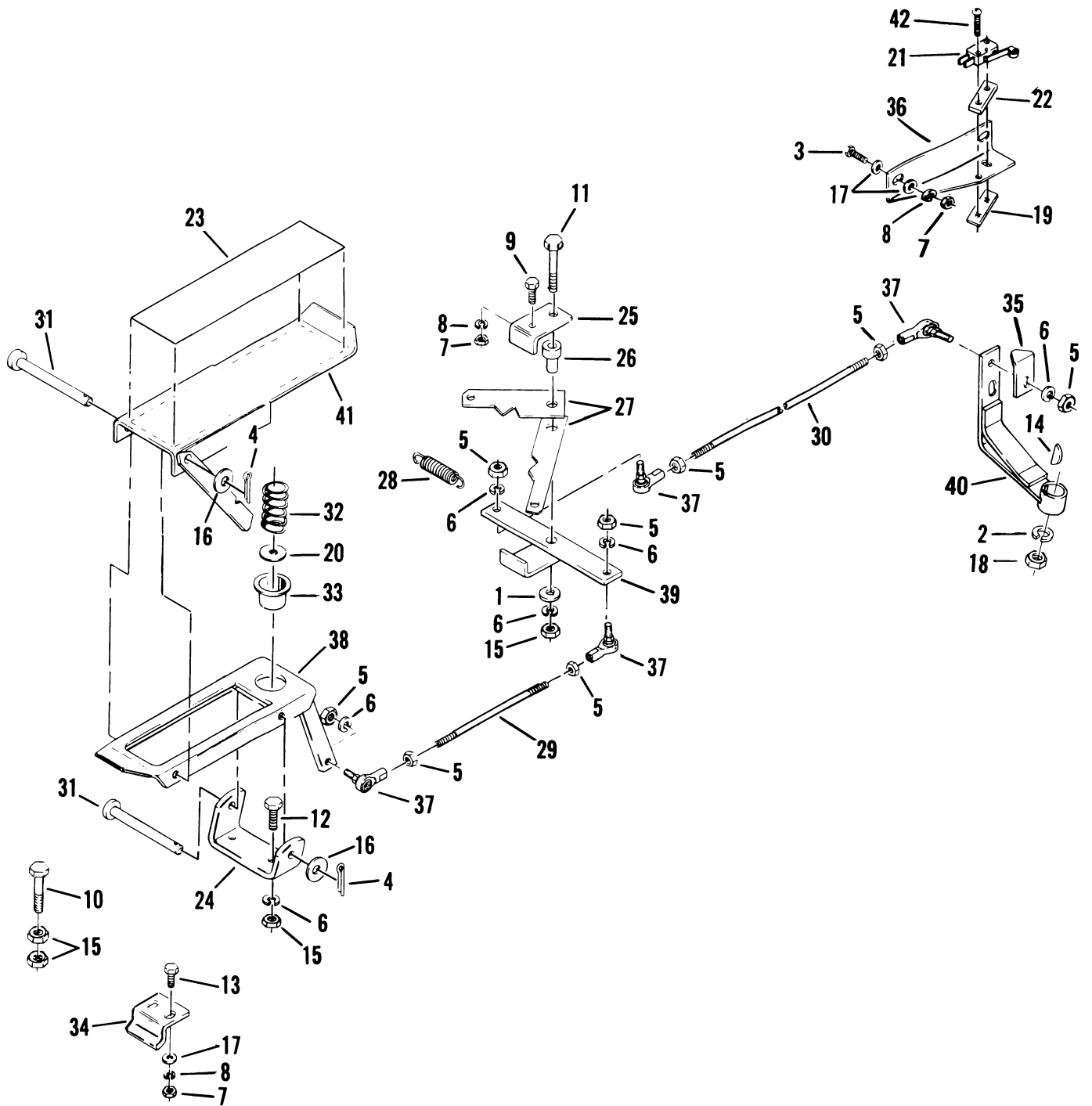


**LINKAGE: TRACTION ASSIST PEDALS, BRAKE SHAFTS,
WHEEL BRAKE AND PARKING BRAKE**

Ref. No.	Part No.	Description	No. Req'd	Ref. No.	Part No.	Description	No. Req'd
1	103867	Washer, 5/16	6	23	812997	Ball	1
2	302288	Screw, 1/4-20 x 1	1	24	814079	Pin	3
3	304055	Screw, 5/16-18 x 1 3/8	2	25	821702	Washer	1
4	306319	Nut, 3/8-24	4	26	821896	Bushing	2
5	306320	Nut, 5/16-24	3	27	823089	Spring	2
6	306325	Lockwasher, 5/16	4	28	825380	Clamp, plate	1
7	306328	Pin, cotter, 3/32 x 3/4	5	29	825450	Bushing	1
8	306375	Nut, 1/4-20	1	30	827260	Rod, pedal	2
9	306396	Lockwasher, 1/4	1	31	827288	Yoke	1
10	306405	Washer, 3/8	4	32	827289	Cable, parking brake	1
11	306450	Screw, 5/16-18 x 3/4	3	33	827298	Spring	1
12	306453	Washer, 5/16	5	34	827498	Yoke, adjusting	4
13	306488	Lockwasher, 1/4, E.T.	2	35	827773	Latch	1
14	306501	Screw, 5/16-18 x 1 1/2	1	36	832185	Pin	4
15	306932	Nut, 5/16-18	5	37	885158	Rod end	2
16	306956	Pin, cotter, 1/8 x 3/4	4	38	885159	Shaft, brake, LEFT	1
17	308090	Washer, 1/4	1	39	807439	•Fitting, lubrication, 1/4-28 straight	1
18	548048	Nut, 5/16-18, lock	1	40	885160	Shaft, brake, RIGHT	1
19	800019	Screw, 1/4-20 x 1/2, P.T.H.	2	41	807439	•Fitting, lubrication, 1/4-28 straight	1
20	809121	Clamp, cable	1	42	885271	Pawl	1
21	810152	Pad, pedal	1				
22	810722	Yoke, adjusting	3				

•INDENTED PART NAMES INDICATE THESE PARTS ARE INCLUDED IN PRECEDING ASSEMBLY.

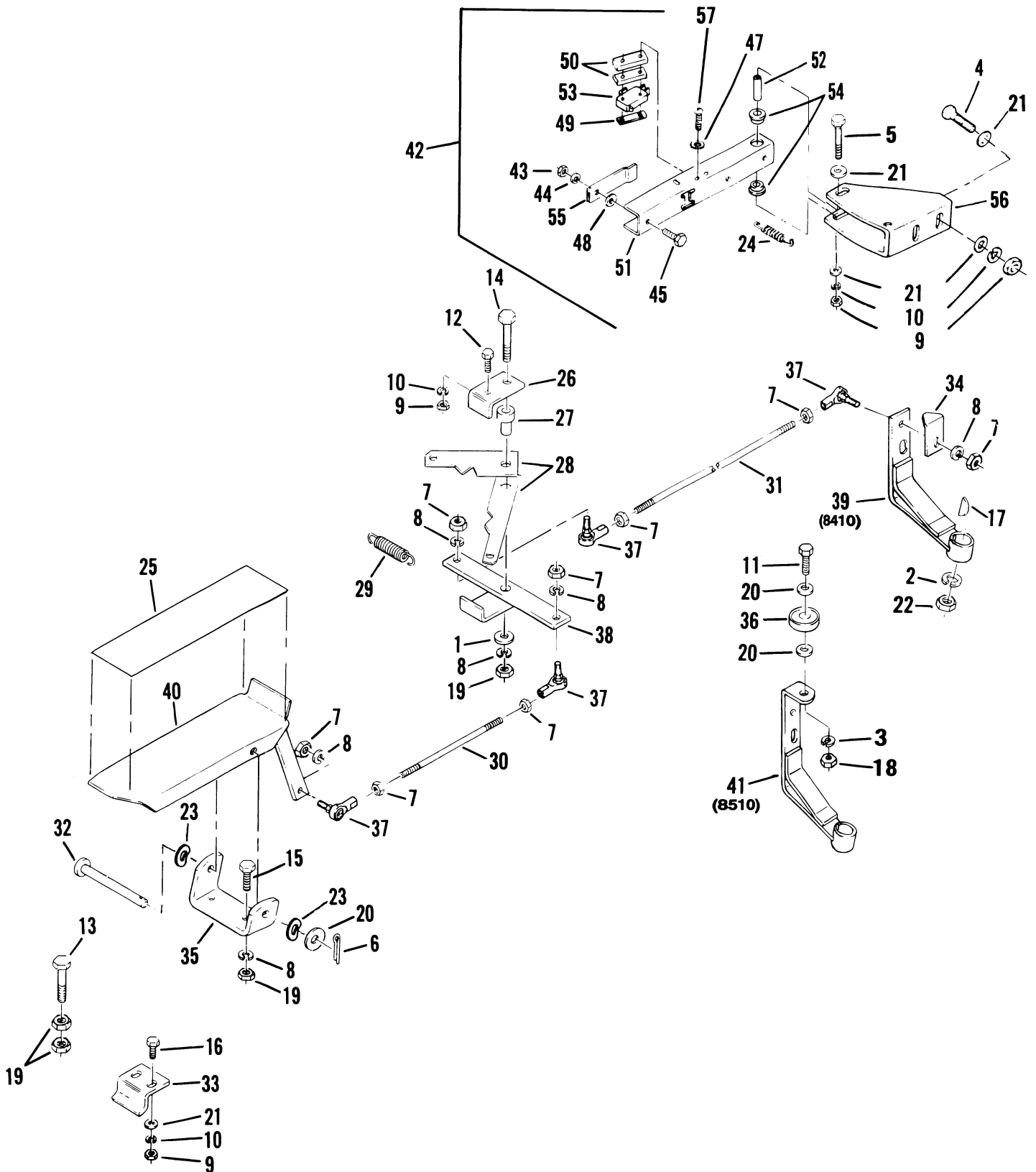
DIRECTION-SPEED CONTROLS/LINKAGE AND NEUTRAL SWITCH
8310 AND PRIOR



**DIRECTION-SPEED CONTROLS/LINKAGE AND NEUTRAL SWITCH
8310 AND PRIOR**

Ref. No.	Part No.	Description	No. Req'd	Ref. No.	Part No.	Description	No. Req'd
1	103867	Washer, 5/16	1	22	825218	Spacer	1
2	120166	Lockwasher, 1/2	1	23	827284	Tread, pedal	1
3	300646	Screw, 1/4-20 x 3/4	2	24	827314	Bracket, control pedal mounting	1
4	304636	Pin, cotter, 1/8 x 1 1/8	2	25	827316	Stop, control arm	1
5	306320	Nut, 5/16-24	8	26	827319	Bushing, control bellcrank	1
6	306325	Lockwasher, 5/16	7	27	827320	Arm, control spring retainer	2
7	306375	Nut, 1/4-20	3	28	827323	Spring, control centering	1
8	306396	Lockwasher, 1/4	3	29	827324	Rod, control	1
9	306419	Screw, 1/4-20 x 1/2	1	30	827325	Rod, hydrostat control	1
10	306423	Screw, 5/16-18 x 1 3/4	1	31	827326	Pin	2
11	306424	Screw, 5/16-18 x 2	1	32	827469	Spring, detent	1
12	306450	Screw, 5/16-18 x 3/4	2	33	827472	Retainer, detent spring	1
13	306487	Screw, 1/4-20 x 5/8	2	34	827474	Strike, pedal detent	1
14	306560	Key, woodruff, #5	1	35	828418	Cam, switch	1
15	306932	Nut, 5/16-18	5	36	828419	Bracket, switch	1
16	306981	Washer, 3/8	2	37	831586	End, rod	4
17	308090	Washer, 1/4	6	38	885167	Pedal, control	1
18	308332	Nut, 1/2-13	1	39	885168	Arm, control bellcrank	1
19	800421	Nut, speed	2	40	885169	Arm, hydrostat shifter	1
20	815680	Washer	1	41	885237	Pedal, control	1
21	825217	Switch, neutral starting	1	42	888503	Service set, screw	1

DIRECTION-SPEED CONTROLS/LINKAGE AND NEUTRAL SWITCH
8410 AND LATER

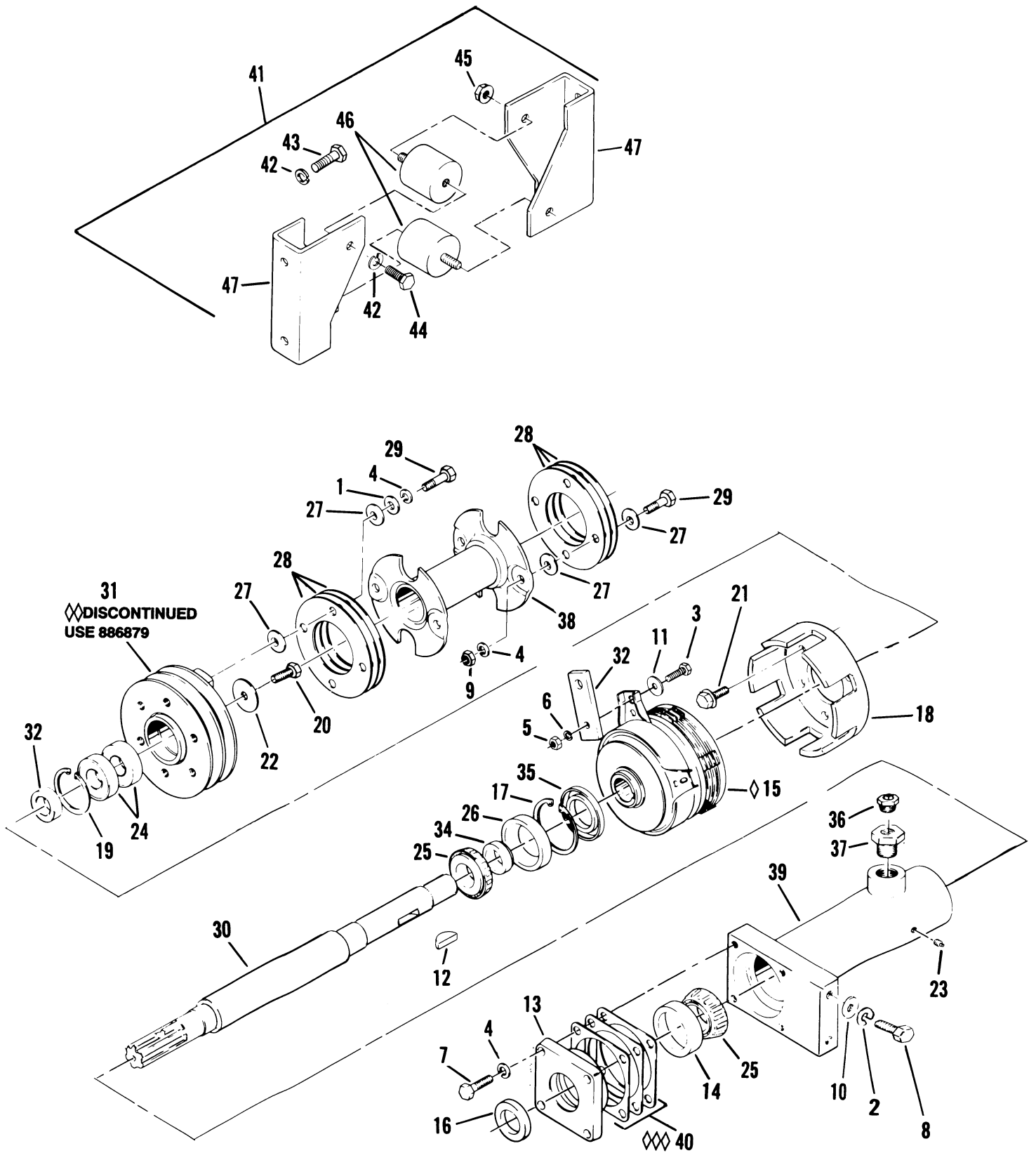


**DIRECTION-SPEED CONTROLS/LINKAGE AND NEUTRAL SWITCH
8410 AND LATER**

Ref. No.	Part No.	Description	No. Req'd	Ref. No.	Part No.	Description	No. Req'd
1	103867	Washer, 5/16	1	31	827325	Rod, hydrostat control	1
2	120166	Lockwasher, 1/2	1	32	827326	Pin	1
3	120177	Lockwasher, 3/8	1	33	827474	Strike, pedal detent	1
4	300646	Screw, 1/4-20 x 3/4	2	34	828418	Bracket, cam	1
5	302754	Screw, 1/4-20 x 2 1/4	1	35	830137	Bracket, control pedal mounting	1
6	304636	Pin, cotter, 1/8 x 1 1/8	1	36	830140	Bearing, cam	1
7	306320	Nut, 5/16-24	8	37	831586	End, rod	4
8	306325	Lockwasher, 5/16	7	38	885168	Arm, control bellcrank	1
9	306375	Nut, 1/4-20	3	39	885169	Arm, hydrostat shifter	1
10	306396	Lockwasher, 1/4	3	40	886774	Pedal, control	1
11	306414	Screw, 3/8-16 x 1	1	41	887266	Arm, hydrostat shifter (8510 & later)	1
12	306419	Screw, 1/4-20 x 1/2	1	42	887812	Arm, neutral switch	1
13	306423	Screw, 5/16-18 x 1 3/4	1	43	306375	•Nut, 1/4-20	2
14	306424	Screw, 5/16-18 x 2	1	44	306396	•Lockwasher, 1/4	2
15	306450	Screw, 5/16-18 x 3/4	2	45	306419	•Screw, 1/4-20 x 1/2	1
16	306487	Screw, 1/4-20 x 5/8	2	46	306832	•Screw, 1/4-20 x 2	1
17	306560	Key, woodruff, #5	1	47	306990	•Washer, shakeproof, #6	2
18	306562	Nut, 3/8-16	1	48	308090	•Washer, 1/4	3
19	306932	Nut, 5/16-18	5	49	800421	•Nut, speed	1
20	306981	Washer, 3/8	3	50	825218	•Spacer, micro switch	2
21	308090	Washer, 1/4	6	51	830115	•Arm, neutral switch	1
22	308332	Nut, 1/2-13	1	52	830135	•Bushing, switch arm	1
23	800254	Washer, wave	4	53	830139	•Switch, activator	1
24	805444	Spring	1	54	830165	•Bushing, flanged	2
25	827284	Tread, pedal	1	55	831009	•Strike, switch	1
26	827316	Stop, control arm	1	56	831828	•Bracket, mounting	1
27	827319	Bushing, control bellcrank	1	57	888503	•Service set, screw	1
28	827320	Arm, control spring retainer	2				
29	827323	Spring, control centering	1				
30	827324	Rod, control	1				

•INDENTED PART NAMES INDICATE THESE PARTS ARE INCLUDED IN PRECEDING ASSEMBLY.

**8310 AND PRIOR
COUPLING, DRIVE SHAFT, PULLEY, CLUTCH AND P.T.O. SHAFT**



**8310 AND PRIOR
COUPLING, DRIVE SHAFT, PULLEY, CLUTCH AND P.T.O. SHAFT**

Ref. No.	Part No.	Description	No. Req'd	Ref. No.	Part No.	Description	No. Req'd
1	103867	Washer, 5/16	4	25	814473	Cone, roller bearing	2
2	120177	Lockwasher, 3/8	2	26	814474	Cup, roller bearing	1
3	300646	Screw, 1/4-20 x 3/4	2	27	817358	Spacer, drive shaft	16
4	306325	Lockwasher, 5/16	12	28	817362	Plate, flex	6
5	306375	Nut, 1/4-20	2	29	817731	Screw, special, shoulder	8
6	306396	Lockwasher, 1/4	2	30	827215	Shaft, power take off	1
7	306416	Screw, 5/16-18 x 1	4	31	◇◇	Pulley, drive	1
8	306834	Screw, 3/8-16 x 3/4	3	32	827332	Arm, clutch	2
9	306932	Nut, 5/16-18	4	33	827432	Spacer	1
10	306981	Washer, 3/8	2	34	827433	Sleeve, wear	1
11	308090	Washer, 1/4	2	35	827466	Seal	1
12	515016	Key, woodruff, special	1	36	827486	Valve, pressure relief	1
13	545050	Bearing, cage	1	37	827487	Reducer, pipe	1
14	814474	•Cup, roller bearing	1	38	885104	Shaft, drive	1
15◇	545644	Clutch	1	39	885132	Tube, bearing support	1
16	548272	Seal	1	40	885666	Kit, shim	◇◇◇1
17	548326	Ring, lock	1	41	886250	Coupling set, complete	1
18	548630	Cup, drive (cover)	1	42	306325	•Lockwasher, 5/16	2
19	548821	Ring, lock	1	43	306450	•Screw, 5/16-18 x 3/4	4
20	548905	Screw, 3/8-16 x 1, flangelock	1	44	306555	•Screw, 5/16-18 x 5/8	2
21	548971	Screw, 5/16-18 x 3/4, flangelock	6	45	548911	•Nut, 5/16-18, flangelock	2
22	604174	Washer, special	1	46	829148	•Mount, isolation	2
23	800114	Plug, sq.hd., 1/8-27 NPT	1	47	829150	•Driver, coupling	2
24	808074	Bearing	2	*	885239	•Baffle	1

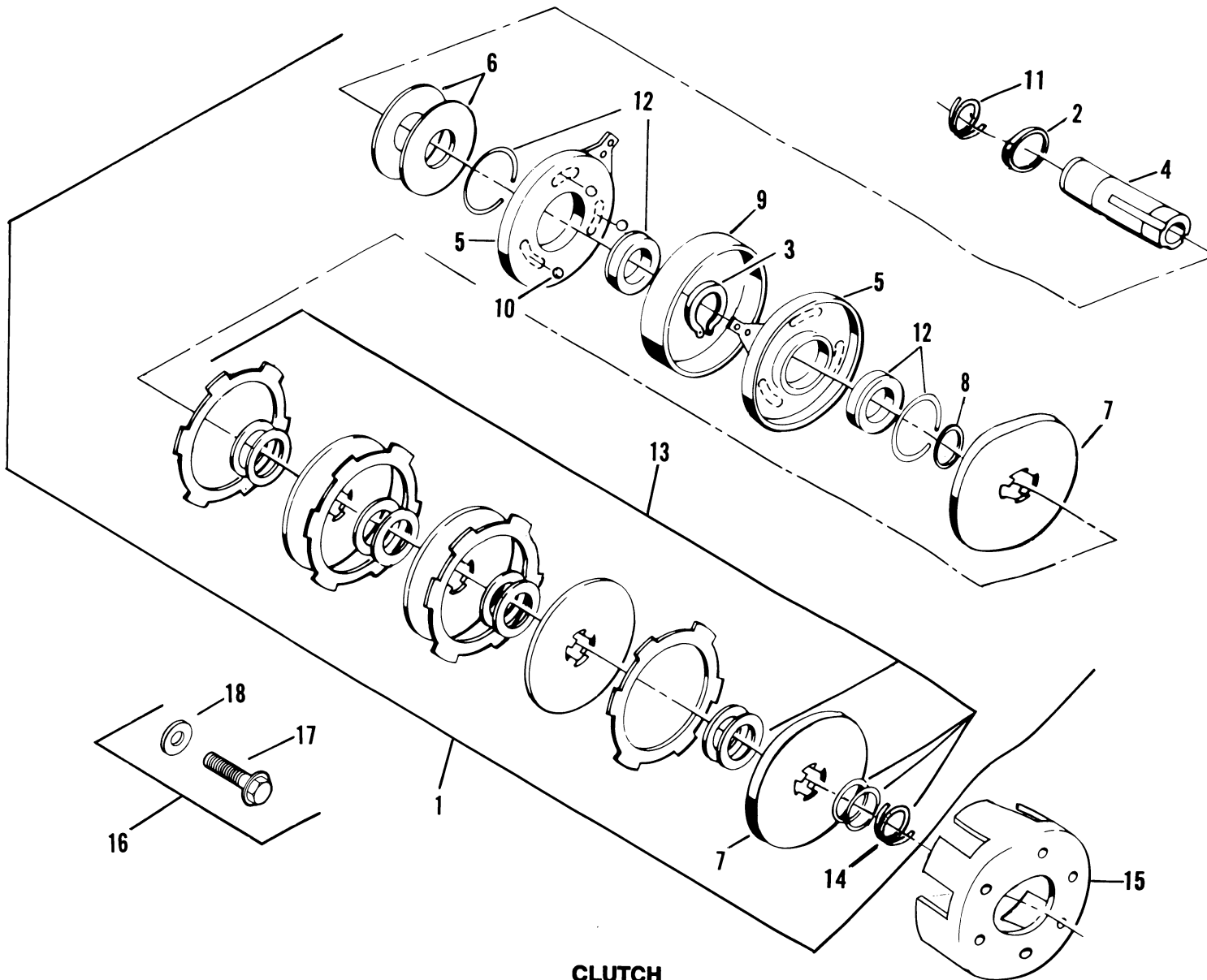
* Not illustrated.

◇ Refer to CLUTCH, page 52 for service parts.

◇◇ DISCONTINUED, USE 886879, pages 55-56.

◇◇◇ Install shims required to obtain .002 (0.06 mm) to .006 (0.16 mm) end play on shaft.

• INDENTED PART NAMES INDICATE THESE PARTS ARE INCLUDED IN PRECEDING ASSEMBLY.

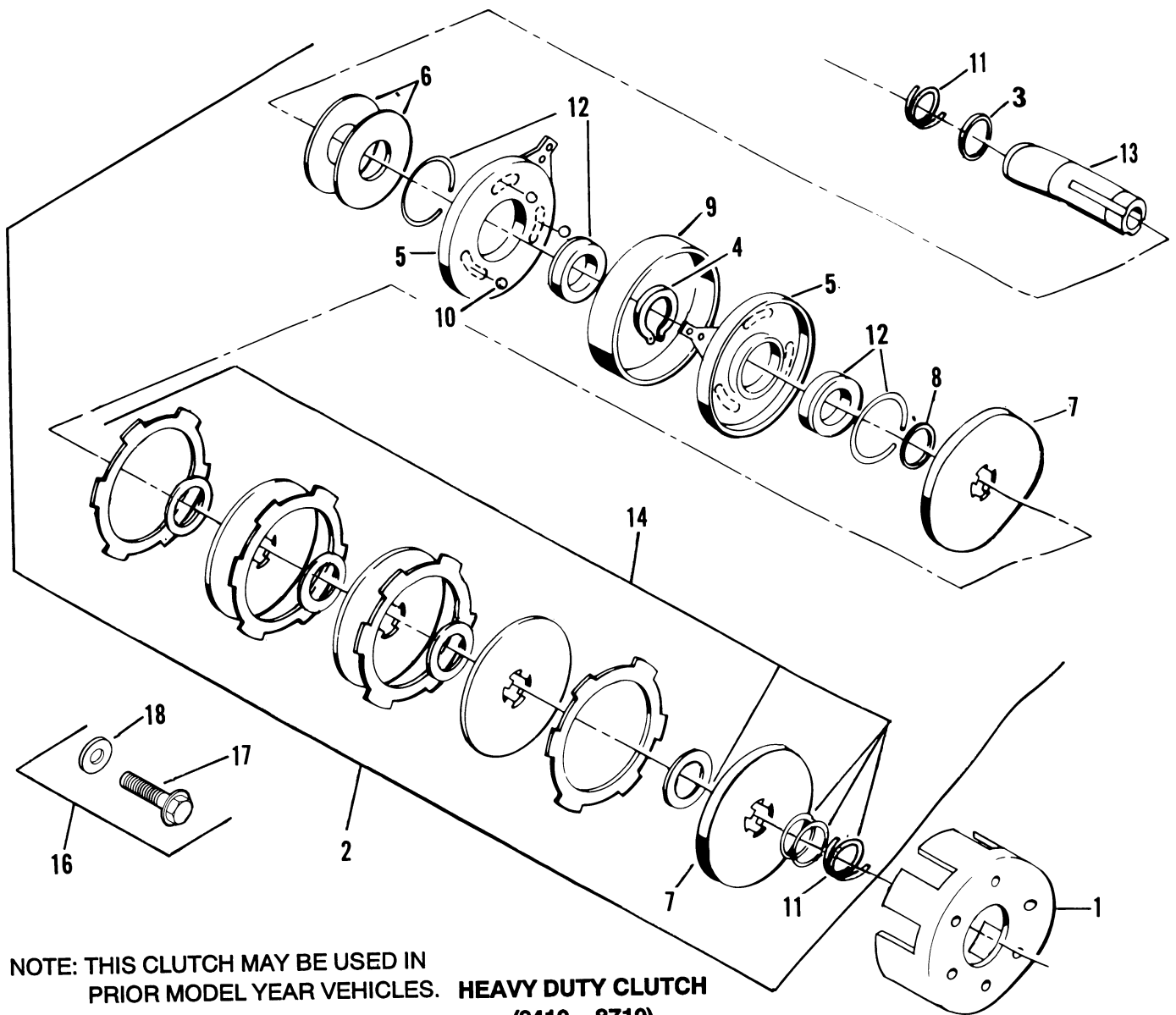


**CLUTCH
(8310 AND PRIOR)**

Ref. No.	Part No.	Description	No. Req'd	Ref. No.	Part No.	Description	No. Req'd
1	545644	Clutch	1	12	548640	•Cam bearing w/snap ring	2
2	521673	•Retainer, snap ring	1	13	883613	•Kit, clutch repair	1
3	521674	•Ring, snap	1	14	548638	••Ring, spirolox snap	1
4	548626	•Hub	1			••Friction disc (.041" at tabs)	4
5	548627	•Cam	2			••Shim	3
6	548628	•Spring, load	2			••Spring, release	8
7	548629	•Plate, pressure	2			••Separator disc	3
8	548632	•Spacer	1	15	548630	Cup, drive (cover)	1
9	548633	•Cam cover	1	16	887498	•Retainer set, clutch	1
10	548636	•Cam ball	1	17	548905	••Screw, 3/8-16 x 1, flangelock	1
11	548638	•Ring, spirolox snap	1	18	604174	••Washer, special	1

◇Not offered.

•INDENTED PART NAMES INDICATE THESE PARTS ARE INCLUDED IN PRECEDING ASSEMBLY.



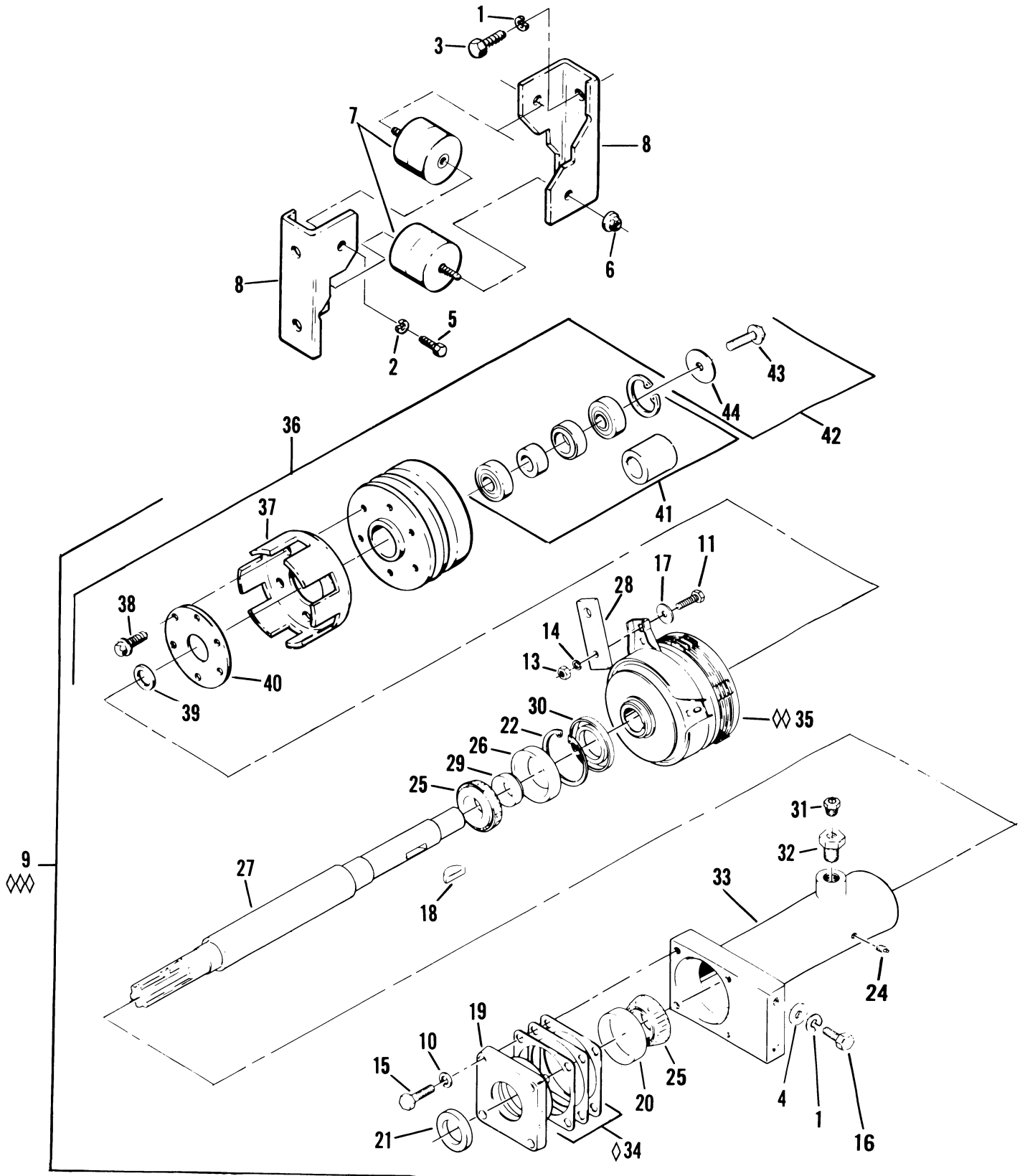
NOTE: THIS CLUTCH MAY BE USED IN PRIOR MODEL YEAR VEHICLES. **HEAVY DUTY CLUTCH (8410 - 8710)**

Ref. No.	Part No.	Description	No. Req'd	Ref. No.	Part No.	Description	No. Req'd
1	548630	Cup, drive (cover)	1	12	548640	•Cam bearing w/snap ring	2
2	886878	Clutch	1	13	830272	•Hub	1
3	521673	•Retainer, snap ring	1	14	886910	•Kit, clutch repair	1
4	521674	•Ring, snap	1	15	548638	••Ring, spriolox snap	1
5	548627	•Cam	2			••Friction disc (.076" at tabs)	4
6	548628	•Spring, load	2			••Shim	3
7	548629	•Plate, pressure	2			••Spring, release, wave	4
8	548632	•Spacer	1			••Separator disc	3
9	548633	•Cam cover	1	16	887498	•Retainer set, clutch	1
10	548636	•Cam ball	1	17	548905	••Screw, 3/8-16 x 1, flangelock	1
11	548638	•Ring, spriolox snap	1	18	604174	••Washer, special	1

◇ Not offered.

•INDENTED PART NAMES INDICATE THESE PARTS ARE INCLUDED IN PRECEDING ASSEMBLY.

8410 AND LATER
COUPLING, PULLEY, CLUTCH AND P.T.O. SHAFT



**8410 AND LATER
COUPLING, PULLEY, CLUTCH AND P.T.O. SHAFT**

Ref. No.	Part No.	Description	No. Req'd	Ref. No.	Part No.	Description	No. Req'd
1	120177	Lockwasher, 3/8	6	25	814473	•Cone, roller bearing	2
2	306325	Lockwasher, 5/16	4	26	814474	•Cup, roller bearing	1
3	306834	Screw, 3/8-16 x 3/4	6	27	827215	•Shaft, power take off	1
4	306981	Washer, 3/8	2	28	827332	•Arm, clutch	2
5	309512	Screw, 5/16-18 x 1/2	2	29	827433	•Sleeve, wear	1
6	548911	Nut, 5/16-18, flangelock	2	30	827466	•Seal	1
7	829148	Mount, isolation	2	31	827486	•Valve, pressure relief	1
8	830336	Driver, coupling	2	32	827487	•Reducer, pipe	1
9	885143	Shaft, P.T.O., complete . ◇◇DISC.		33	885132	•Tube, bearing support	1
10	120177	•Lockwasher, 3/8	2	34	885666	•Kit, shim	◇1
11	300646	•Screw, 1/4-20 x 3/4	2	35	886878	•Clutch, heavy duty	◇1
12	306325	•Lockwasher, 5/16	4	36	886879	•Pulley, universal	1
13	306375	•Nut, 1/4-20	2	37	548630	••Cup, clutch drive	1
14	306396	•Lockwasher, 1/4	2	38	548971	••Screw, 5/16-18 x 3/4, flangelock	6
15	306416	•Screw, 5/16-18 x 1	4	39	829496	••Washer, special	1
16	306834	•Screw, 3/8-16 x 3/4	1	40	830275	••Plate, bearing support	1
17	308090	•Washer, 1/4	2	41	887267	••Bearing service set, includes bearings, spacers & installation tool	1
18	515016	•Key, woodruff, special	1	42	887498	•••Retainer set, clutch	1
19	545050	•Bearing, cage	1	43	548905	••••Screw, 3/8-16 x 1, flangelock	1
20	814474	••Cup, roller bearing	1	44	604174	••••Washer, special	1
21	548272	•Seal	1				
22	548326	•Ring, lock	1				
23	604174	•Washer, special	1				
24	800114	•Plug, sq.hd., 1/8-27 NPT	1				

◇ Install shims required to obtain .002 (0.06 mm) to .006 (0.16 mm) end play on shaft.

◇◇ Refer to HEAVY DUTY CLUTCH, page 53 for service parts.

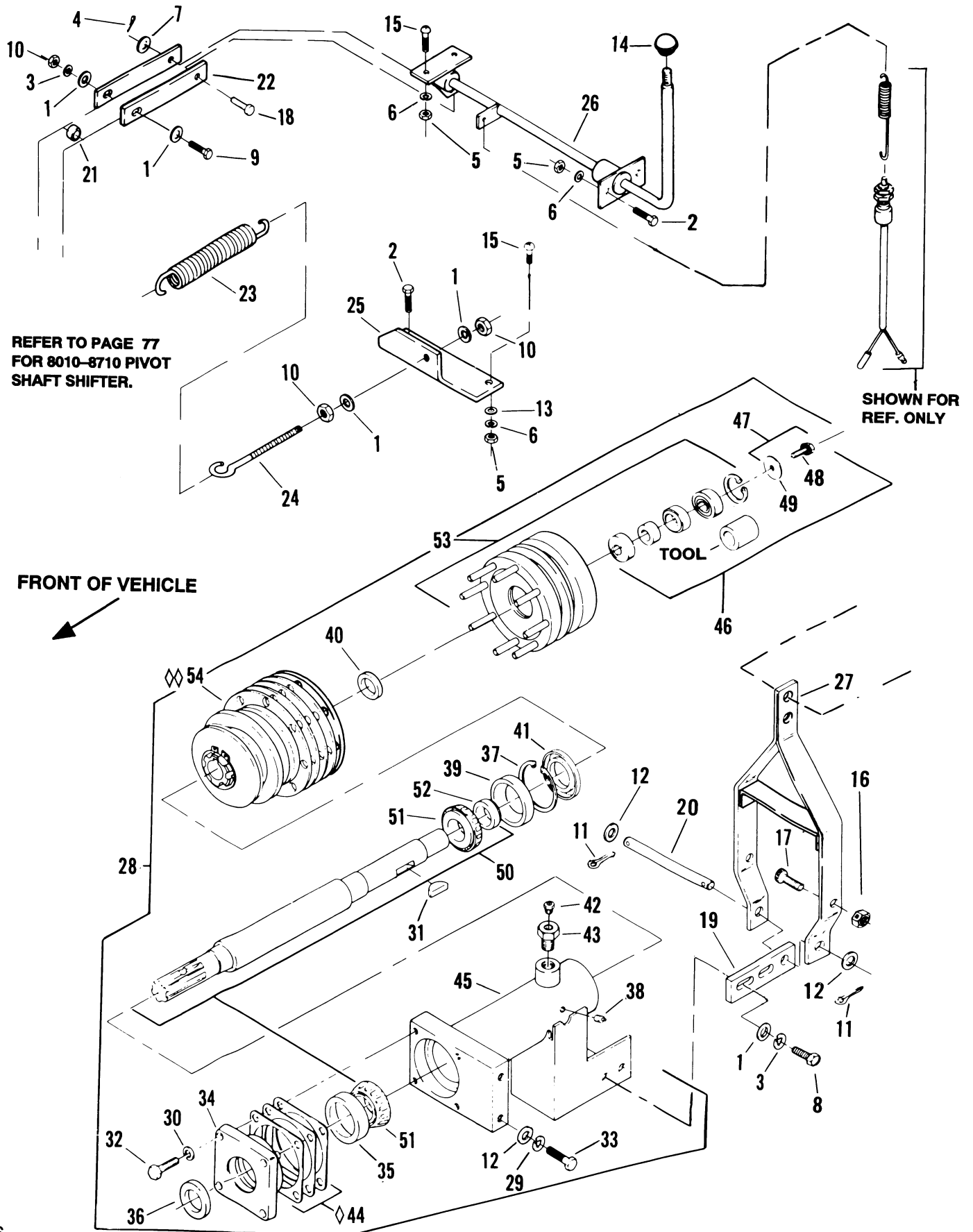
◇◇◇ DISCONTINUED, USE 888139, pages 56-57.

• INDENTED PART NAMES INDICATE THESE PARTS ARE INCLUDED IN PRECEDING ASSEMBLY.

**UPDATE
CLUTCH CONVERSION SET
8010-8710**

PART NO. 888139

**PULLEY, CLUTCH ARM, CLUTCH, P.T.O. SHAFT, P.T.O. PIVOT SHAFT, SPRING AND BRACKET
ALSO STANDARD 8810 AND LATER**



UPDATE
CLUTCH CONVERSION SET
8010-8710
PART NO. 888139
PULLEY, CLUTCH ARM
CLUTCH AND P.T.O. SHAFT
P.T.O. PIVOT SHAFT, SPRING AND BRACKET
ALSO STANDARD 8810 AND LATER

Ref. No.	Part No.	Description	No. Req'd	Ref. No.	Part No.	Description	No. Req'd
	888139	Clutch conversion set, complete	1	28	887696	•Shaft, P.T.O., complete	1
1	103867	•Washer, 5/16	7	29	120177	••Lockwasher, 3/8	2
2	300646	•Screw, 1/4 x 3/4	3	30	306325	••Lockwasher, 5/16	4
3	306325	•Lockwasher, 5/16	51	31	306367	••Key, woodruff #9	1
4	306328	•Pin, cotter, 3/32 x 3/4	1	32	306416	••Screw, 5/16-18 x 1	4
5	306375	•Nut, 1/4-20	6	33	306834	••Screw, 3/8-16 x 3/4	2
6	306396	•Lockwasher, 1/4	4	34	545050	••Cage, bearing	1
7	306405	•Washer, 3/8	1	35	814474	•••Cup, bearing	1
8	306450	•Screw, 5/16-18 x 3/4	4	36	548272	••Seal	1
9	306501	•Screw, 5/16-18 x 1 1/2	1	37	548326	••Ring, lock	1
10	306932	•Nut, 5/16-18	3	38	800114	••Plug, square head, 1/8-27NPT	1
11	306956	•Pin, cotter, 1/8 x 3/4	2	39	814474	••Cup, bearing	1
12	306981	•Washer, 3/8	4	40	823844	••Washer	1
13	308090	•Washer, 1/4	2	41	827466	••Seal	1
14	548171	•Knob	1	42	827486	••Valve, pressure relief	1
15	800026	•Screw, 1/4-20 x 3/4, P.T.H.	3	43	827487	••Reducer, pipe	1
16	800290	•Nut, 5/16-18, lock	2	44	885666	••Kit, shim	◇1
17	800491	•Screw, 5/16 x 1/2, socket head	2	45	886437	••Tube, bearing	1
18	815636	•Pin, clevis	1	46	887267	••Bearing service set w/bearings, spacers, screws, washers & installation tool.	1
*	827629	•Pulley, hydrostat	1				
19	829370	•Bracket, pivot	1	47	887498	•••Retainer set, clutch	1
20	829371	•Pin, pivot	1	48	548905	••••Screw, 3/8-16 x 1, flangelock	1
21	829372	•Bushing	1				
22	829373	•Bar, tie	2	49	604174	••••Washer, special	1
23	829500	•Spring	1	50	887701	••Shaft, P.T.O.	1
24	829590	•Bolt, spring adjustment	1	51	814473	•••Bearing cone	2
25	830222	•Bracket, spring bolt mounting	1	52	827433	•••Sleeve, wear	1
26	886373	•Pivot, P.T.O. shaft	1	53	887874	•Pulley, complete	1
27	887521	•Arm, clutch	1	54	888083	•Clutch, complete	◇◇1

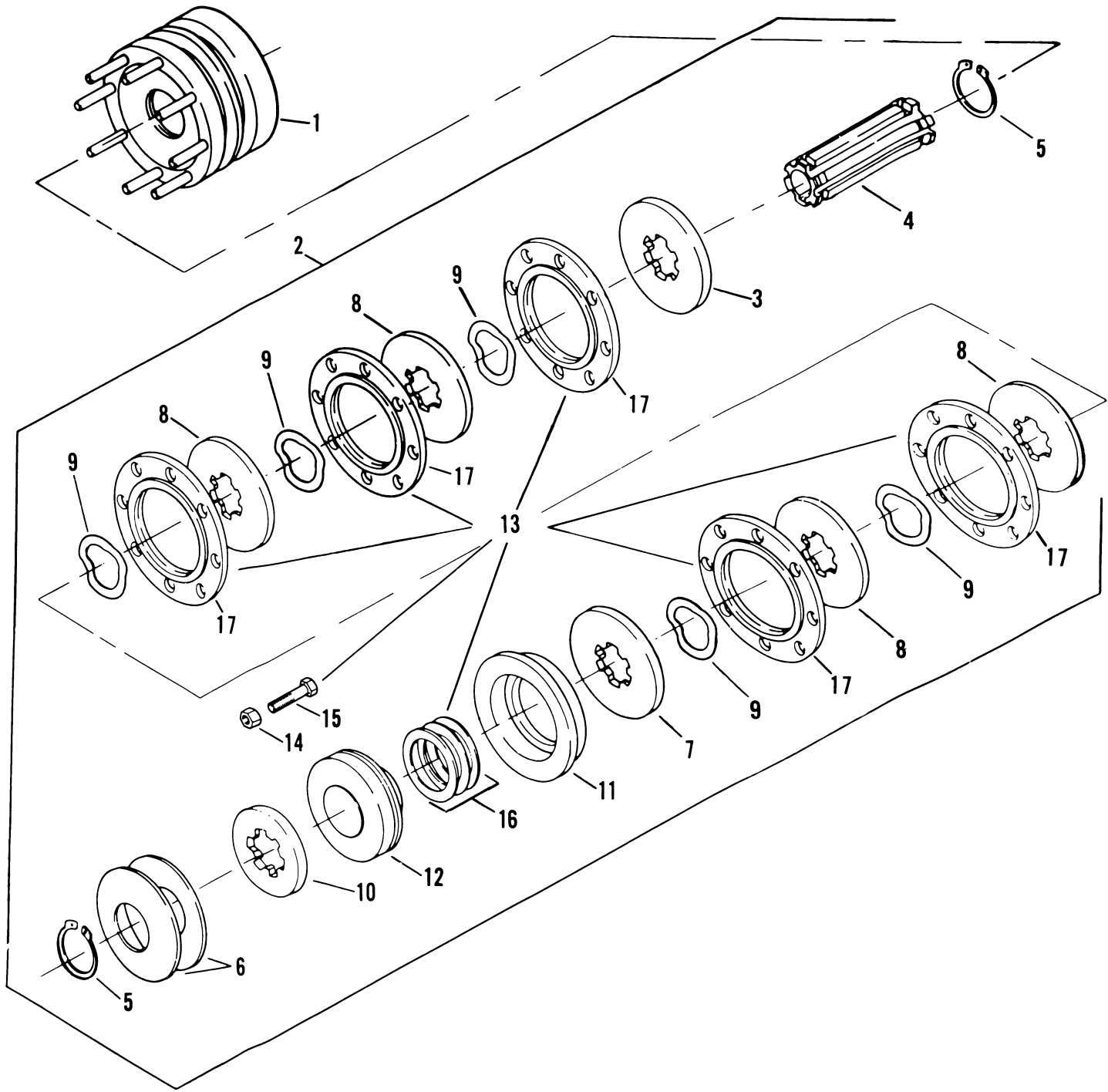
* Not illustrated, refer to page 62.

◇ Install shims required to obtain .002 (0.06 mm) to .066 (0.16 mm) end play on shaft.

◇◇ Refer to clutch assembly pages 58-59 for service parts.

• INDENTED PART NAMES INDICATE THESE PARTS ARE INCLUDED IN PRECEDING ASSEMBLY.

**PULLEY AND CLUTCH
8810 AND LATER**



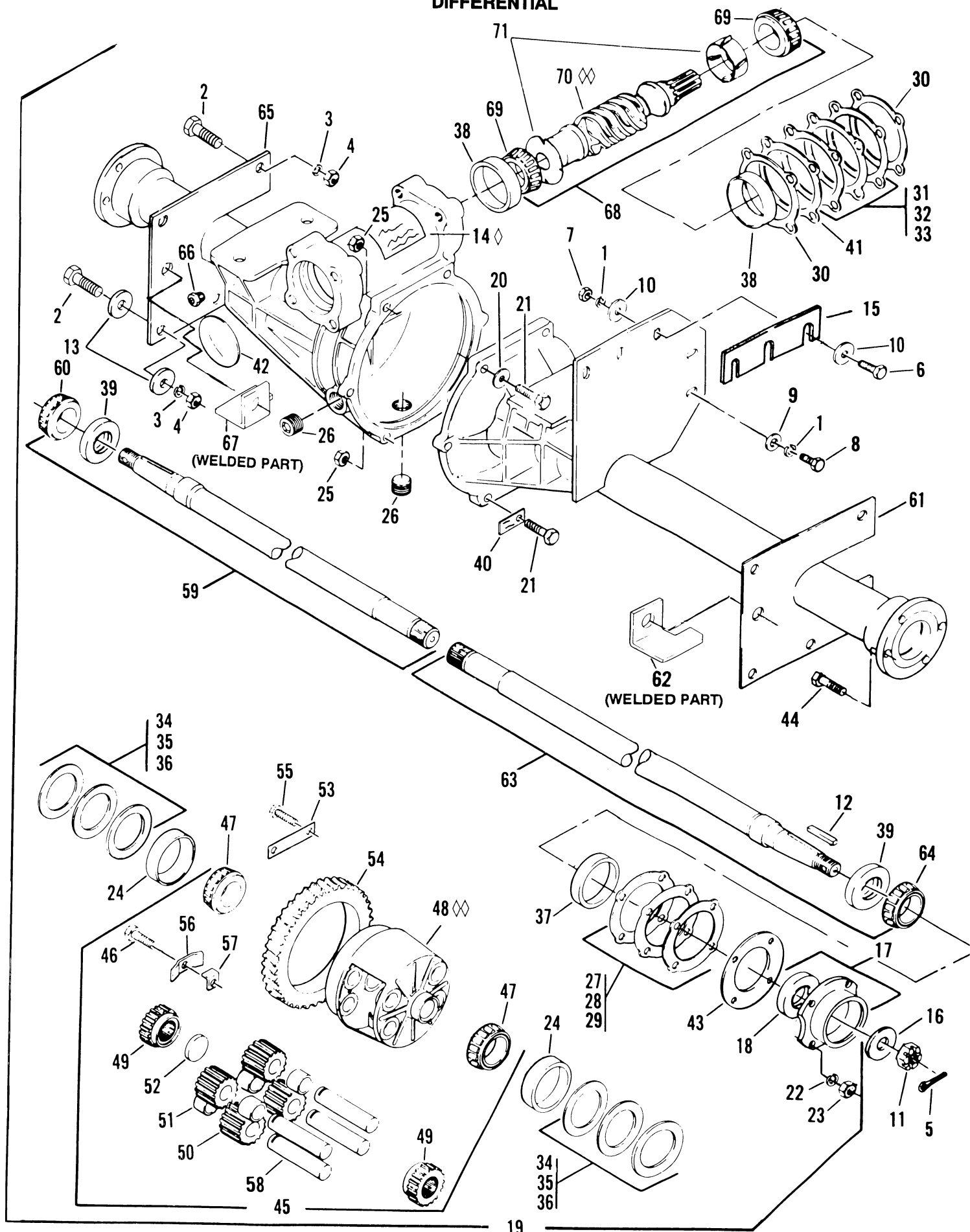
PULLEY AND CLUTCH

Ref. No.	Part No.	Description	No. Req'd	Ref. No.	Part No.	Description	No. Req'd
1	887874	Pulley, complete	1	10	831425	•Plate, bearing	1
2	888083	Clutch, complete	1	11	831427	•Ring, bearing	1
3	522697	•Plate, clutch drive	1	12	831557	•Bearing, ball	1
4	522698	•Hub, clutch	1	13	887806	•Kit, clutch repair, (includes parts shown)	1
5	829576	•Ring, snap	2	14	800290	••Nut, lock, 5/16-18,	2
6	829577	•Spring, Belleville	2	15	800491	••Screw, 5/16-18 x 1/2 skt. hd.	2
7	829578	•Plate, clutch drive	1	16	829585	••Shim, .005	3
8	829579	•Disc, separator	4	17	◇	••Plate, friction	5
9	829581	•Spring, clutch	5				

◇ Not Offered.

• INDENTED PART NAMES INDICATE THESE PARTS ARE INCLUDED IN PRECEDING ASSEMBLY.

DIFFERENTIAL



DIFFERENTIAL

Ref. No.	Part No.	Description	No. Req'd.	Ref. No.	Part No.	Description	No. Req'd.
1	120177	Lockwasher, 3/8	5	38	814476	•Cup, worm bearing	2
2	130538	Screw, 7/16-14 x 1 1/4	10	39	814477	•Seal, axle	2
3	303269	Lockwasher, 7/16	10	40	816046	•Tag (15.67: ratio)	1
4	304364	Nut, 7/16-14	10	41	816515	•Shim, bearing retainer (.003) . As Req'd	
5	304636	Pin, cotter, 1/8 x 1 1/8	2	42	818226	•Plug, special	1
6	306414	Screw, 3/8-16 x 1	3	43	814472	•Retainer, wheel bearing	2
7	306562	Nut, 3/8-16	3	44	827380	•Screw, special	8
8	306834	Screw, 3/8-16 x 3/4	2	45	880176	•Gear, carrier, complete, (15.67:1 ratio)	1
9	306981	Washer, 3/8	2	46	306555	••Screw, 5/16-18 x 3/4	2
10	604174	Washer, special	6	47	386767	••Cone, carrier bearing	2
11	805843	Nut, 5/8-18, castle	2	48	◇◇	••Housing, carrier	1
12	805875	Key	2	49	814481	••Gear, axle	2
13	823269	Washer	12	50	814482	••Gear, planet	4
14◇	827164	Decal, differential ... Discontinued		51	814483	••Spacer, gear, planet	4
15	832917	Shim	As Req'd	52	814484	••Spacer, axle end play	1
16	836674	Washer	2	53	815794	••Plate, lock	3
17	879476	Retainer w/seal	2	54	816038	••Gear, worm (15.67:1 ratio)	1
18	814488	•Seal, oil	1	55	816812	••Screw, special	6
19	887586	Differential, complete 15.67:1 ratio	1	56	816823	••Plate, shaft retainer	2
20	103867	•Washer, 5/16	5	57	816824	••Plate, lock	2
21	304055	•Screw, 5/16-18 x 1 3/8	6	58	816825	••Shaft, planet gear	4
22	306325	•Lockwasher, 5/16	8	59	882055	•Axle, RIGHT, 17 1/8" (435mm) w/bearing	1
23	306932	•Nut, 5/16-18	8	60	814473	••Cone, wheel bearing	1
24	320122	•Cup, differential bearing	2	61	885091	•Housing, LEFT, 22 31/64" (571mm)	1
**	548187	•Lockwasher, 3/8, special	4	62	829588	••Bracket, push arm (WELDED)	1
25	800290	•Nut, 5/16-18, centerlock	6	63	885093	•Axle, LEFT, 26 43/64"(677mm) w/bearing	1
26	800356	•Plug, filler and drain	2	64	814473	••Cone, wheel bearing	1
*	800415	•Screw, 3/8-16 x 3 1/2, skt.hd.	4	65	885095	•Housing, RIGHT, 15 5/64" (383mm)	1
27	805320	•Shim, wheel bearing (.005) .. As Req'd		66	827486	••Valve, pressure relief	1
28	805321	•Shim, wheel bearing (.010) .. As Req'd		67	829587	••Bracket, push arm (WELDED)	1
29	805322	•Shim, wheel bearing (.030) .. As Req'd		68	885114	•Worm, complete	1
30	814465	•Gasket, worm bearing retainer	2	69	814475	••Cone, worm bearing	2
31	814466	•Shim, worm bearing (.005) .. As Req'd		70	◇◇	••Worm, 15.67:1, special	1
32	814467	•Shim, worm bearing (.010) .. As Req'd		71	886706	••Slinger set, oil	1
33	814468	•Shim, worm bearing (.030) .. As Req'd		*	814466	•••Shim (.005)	2
34	814469	•Shim, differential (.003) As Req'd		*	814468	•••Shim (.030)	1
35	814470	•Shim, differential (.005) ... As Req'd		*	816515	•••Shim (.003)	2
36	814471	•Shim, differential (.010) As Req'd		**	885115	•Hydrostat housing adapter	1
37	814474	•Cup, wheel bearing	2	**	120177	••Lockwasher, 3/8	2
				**	551094	••Screw, 3/8-16 x 1 3/4	2

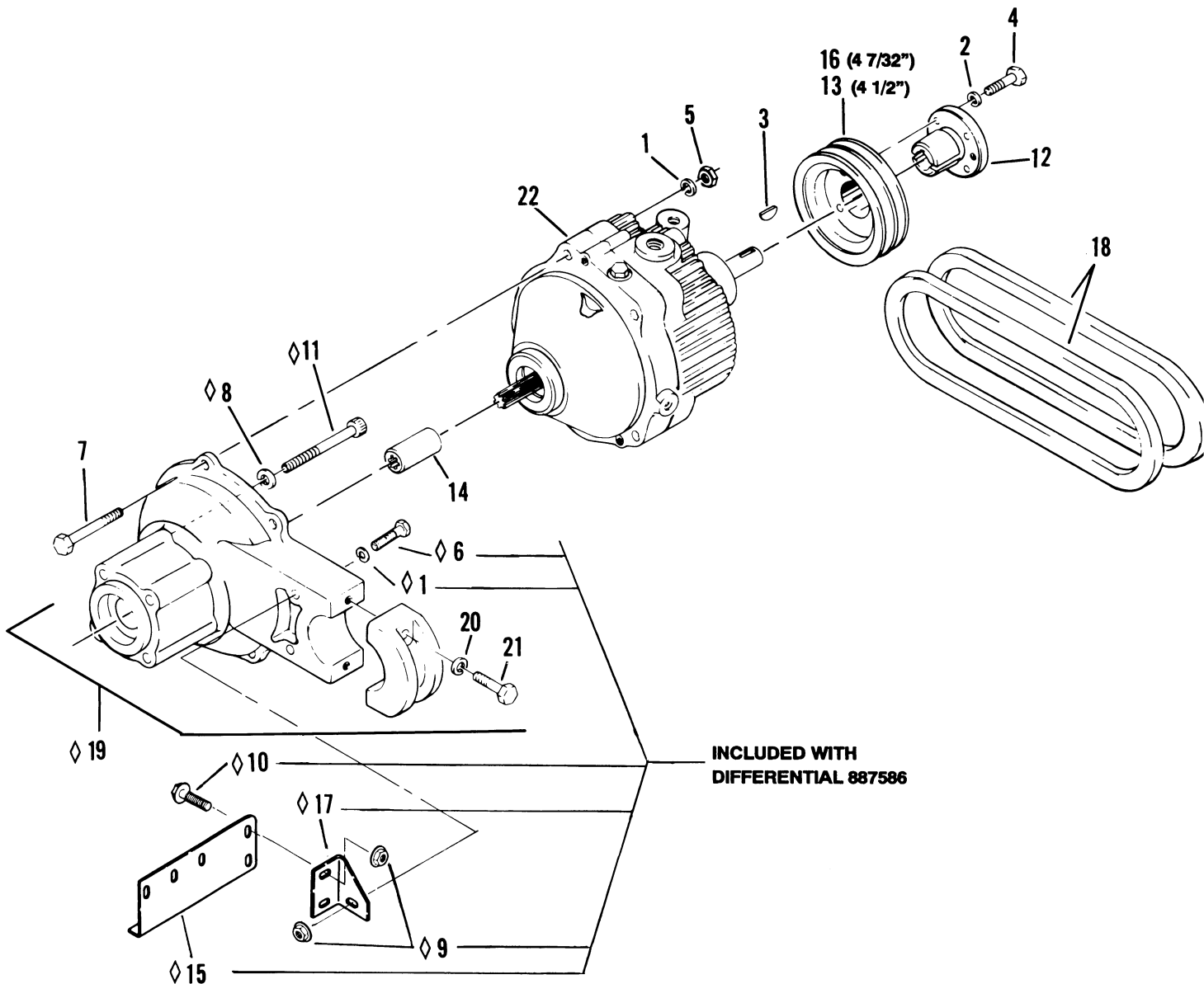
◇ Discontinued

◇◇ NOT OFFERED

* Not illustrated.

** Not illustrated, refer to page 62.

• INDENTED PART NAMES INDICATE THESE PARTS ARE INCLUDED IN PRECEDING ASSEMBLY.



INCLUDED WITH
DIFFERENTIAL 887586

HYDROSTAT, PULLEY, HUB, COUPLING, BELTS AND ADAPTER

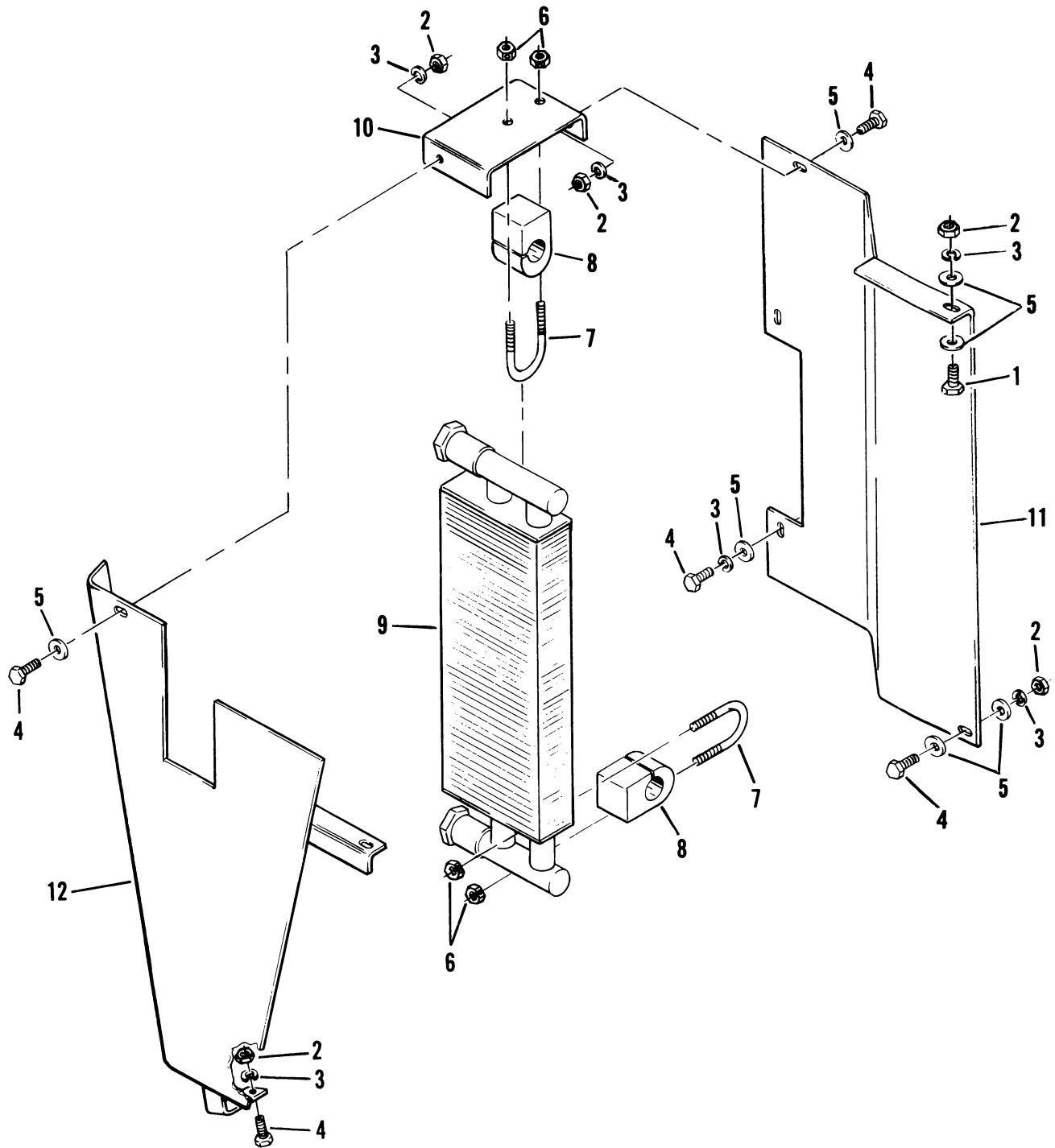
Ref. No.	Part No.	Description	No. Req'd	Ref. No.	Part No.	Description	No. Req'd
1	120177	Lockwasher, 3/8	5	13	827072	Pulley, hydrostat 4 1/2" dia. (114 mm)	◇1
2	306325	Lockwasher, 5/16	4	14	827076	Coupling, hydrostat	◇1
3	306367	Key, woodruff, #9	1	15	827448	Bracket, mounting	◇1
4	306435	Screw, 5/16-18 x 1 1/4	4	16	827629	Pulley, hydrostat 4 7/32" (107 mm)	◇◇1
5	306562	Nut, 3/8-16	4	17	833260	Bracket, P.T.O. support	◇1
6	307776	Screw, 3/8-16 x 2 3/4	1	18	885097	Belt set (two)	1
7	311213	Screw, 3/8-16 x 3	4	19	885115	Adapter	1
8	548187	Lockwasher, 3/8, special	4	20	120177	•Lockwasher, 3/8	2
9	548804	Nut, 3/8-16, whizlock	3	21	551094	•Screw, 3/8-16 x 1 3/4	2
10	800385	Screw, 3/8-16 x 3/4, flangelock	2	22	885130	Hydrostat	1
11	800415	Screw, 3/8-16 x 3 1/2, socket hd.	4				
12	827071	Hub, pulley	1				

◇ Included in differential 887586.

◇◇ Used on 8010-8710.

◇◇◇ Used on 8810 and Later.

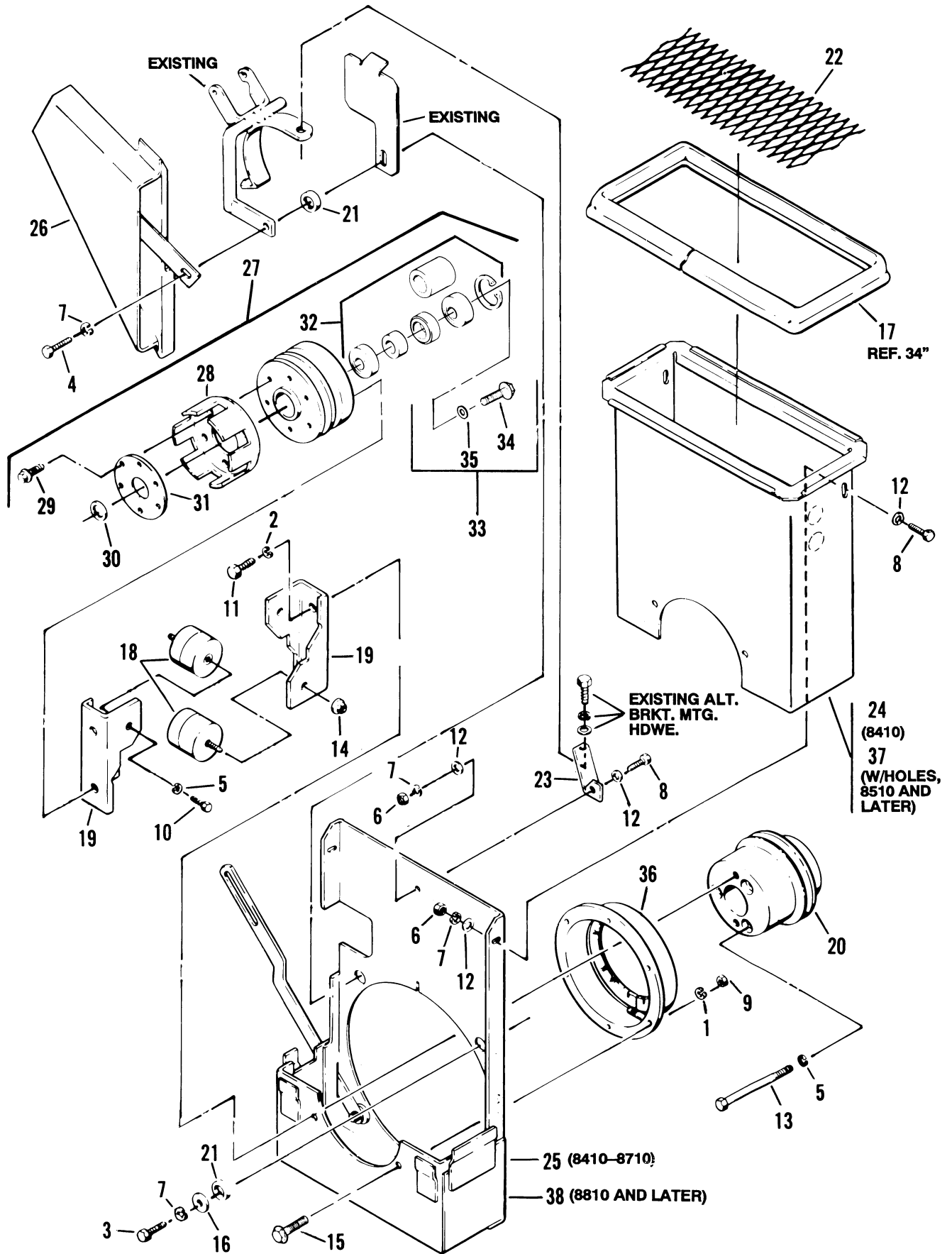
• INDENTED PART NAMES INDICATE THESE PARTS ARE INCLUDED IN PRECEDING ASSEMBLY.



**HYDRAULIC OIL COOLER AND BAFFLES
8010-8310**

Ref. No.	Part No.	Description	No. Req'd	Ref. No.	Part No.	Description	No. Req'd
1	300646	Screw, 1/4-20 x 3/4	2	7	812809	'U' bolt	2
2	306375	Nut, 1/4-20	6	8	816667	Block, rubber	2
3	306396	Lockwasher, 1/4	8	9	827243	Cooler, hydraulic oil	1
4	306487	Screw, 1/4-20 x 5/8	6	10	827347	Bracket, cooler mounting	1
5	308090	Washer, 1/4	10	11	827484	Baffle	1
6	800290	Nut, 5/16-18 centerlock	4	12	885239	Baffle, cooler	1

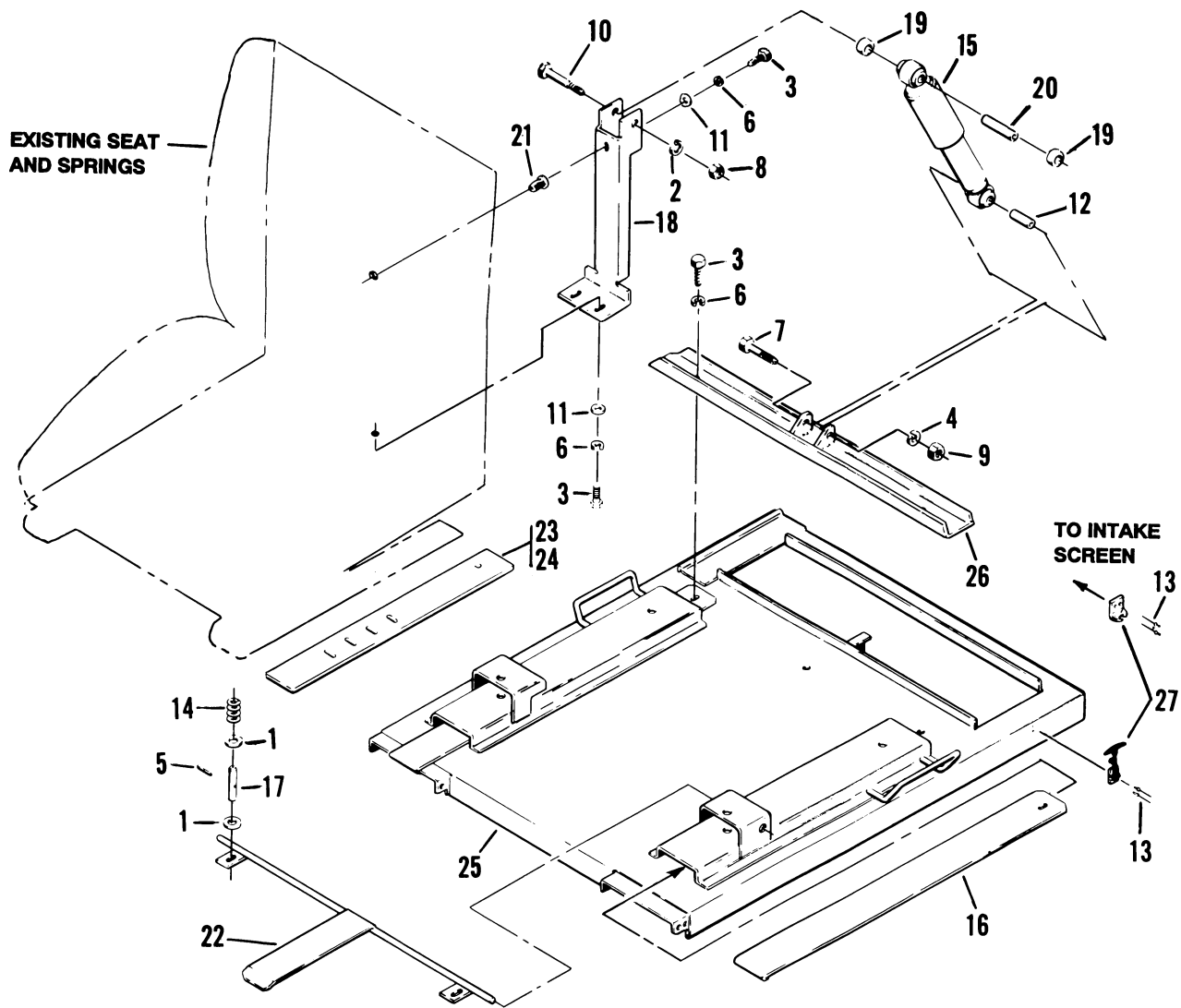
**8410 AND LATER
 ADAPTER, AIRDUCT, BELT COVER
 8410 AND LATER COUPLING, DRIVE PULLEY
 8810 AND LATER REAR AIRDUCT**



**8410 AND LATER
ADAPTER, AIRDUCT, BELT COVER
8410 AND LATER COUPLING, DRIVE PULLEY
8810 AND LATER REAR AIRDUCT**

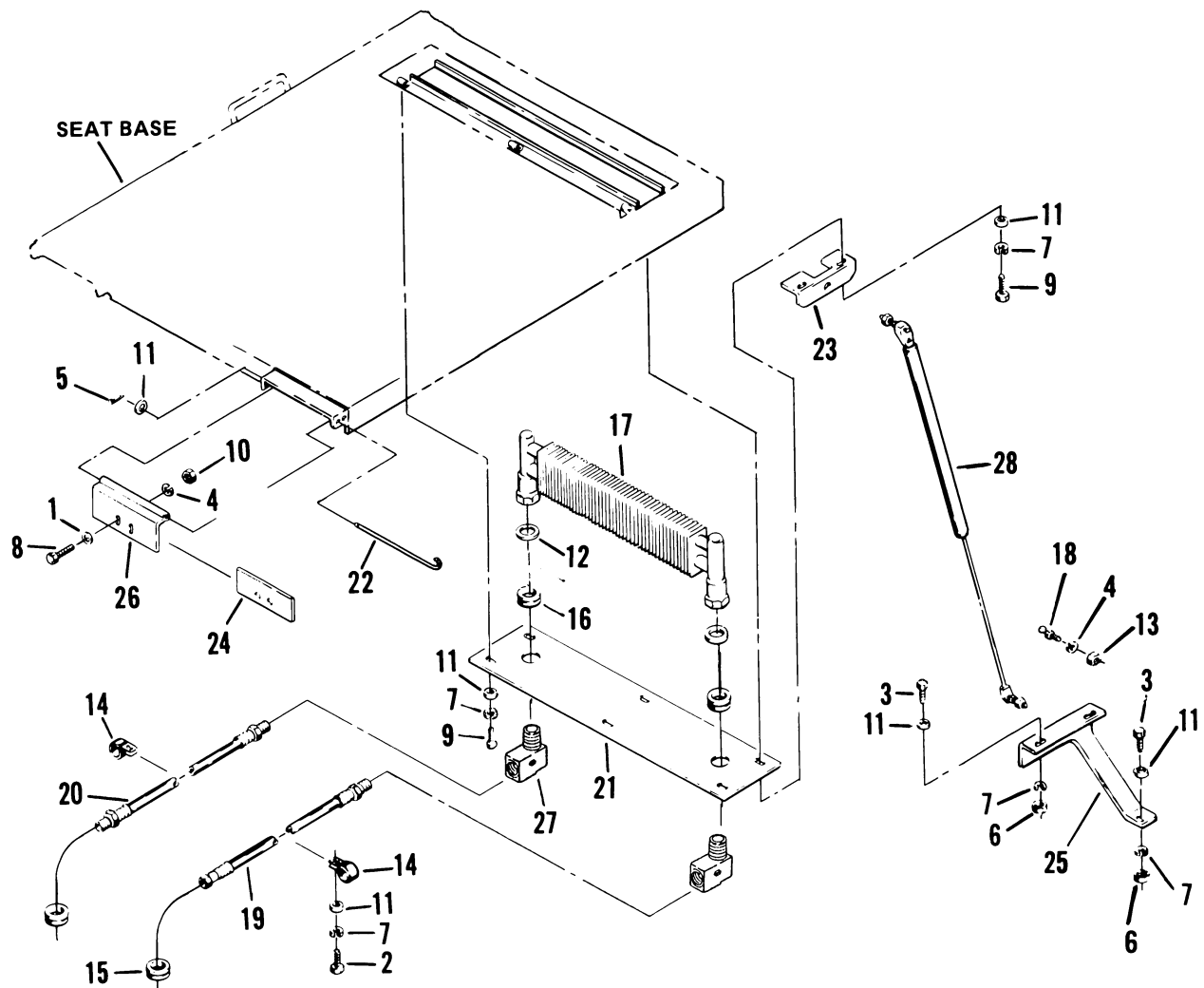
Ref. No.	Part No.	Description	No. Req'd	Ref. No.	Part No.	Description	No. Req'd
1	120052	Lockwasher, #10	4	22	830356	Screen	1
2	120177	Lockwasher, 3/8	4	23	830466	Bracket, air duct	1
3	300646	Screw, 1/4-20 x 1/2	2	24	886822	Duct, air, FRONT (8410 MODEL)	1
4	302288	Screw, 1/4-20 x 1	2	25	886824	Duct, air, REAR	1
5	306325	Lockwasher, 5/16	5	26	886870	Cover, belt	1
6	306375	Nut, 1/4-20	3	27	886879	Pulley, universal	1
7	306396	Lockwasher, 1/4	6	28	548630	•Cup, clutch drive	1
8	306487	Screw, 1/4-20 x 5/8	6	29	548971	•Screw, 5/16-18 x 3/4, flangelock	6
9	306531	Nut, #10-24	4	30	829496	•Washer, special	1
10	306555	Screw, 5/16-18 x 5/8	2	31	830275	•Plate, bearing support	1
11	306834	Screw, 3/8-16 x 3/4	4	32	887267	•Bearing service set, includes bearing, spacers, & installation tool	1
12	308090	Washer, 1/4	6				
13	313040	Screw, 5/16-18 x 3	3				
14	548911	Nut, 5/16-18, flangelock	2	33	887498	••Retainer set, clutch	1
15	548987	Screw, #10-24 x 5/8, flangelock	4	34	548905	•••Screw, 3/8-16 x 1, flangelock	1
16	815680	Washer, special	3	35	604174	•••Washer, special	1
17	828976	Seal, 25' (7.6 M)	As Req'd.	36	886924	Housing, w/seal	1
18	829148	Mount, isolation	2	37	887239	Duct, air, FRONT, (8510 & later)	1
19	830336	Driver, coupling	2	38	888091	Duct, air, REAR	1
20	830337	Adapter, drive	1				
21	830340	Spacer	4				

•INDENTED PART NAMES INDICATE THESE PARTS ARE INCLUDED IN PRECEDING ASSEMBLY.



**8410 AND LATER
SEAT BASE**

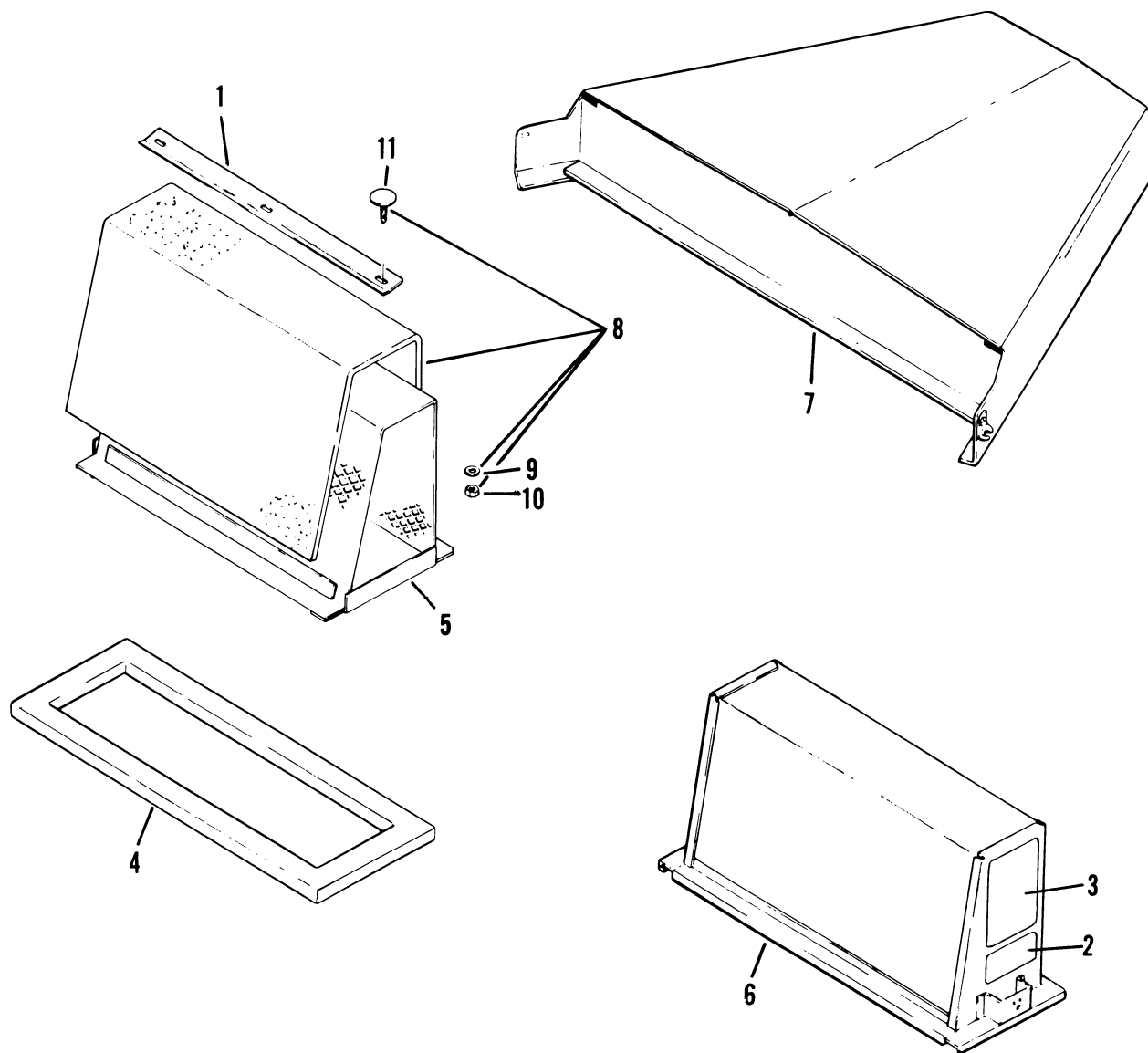
Ref. No.	Part No.	Description	No. Req'd	Ref. No.	Part No.	Description	No. Req'd
1	103867	Washer, 5/16	4	15	807332	Absorber, shock	1
2	120177	Lockwasher, 3/8	1	16	830311	Slide	2
3	300646	Screw, 1/4-20 x 3/4	5	17	830316	Pin, seat latch	2
4	306325	Lockwasher, 5/16	2	18	830362	Bracket, shock	1
5	306328	Cotter pin, 3/32 x 3/4	1	19	830367	Spacer, shock	2
6	306396	Lockwasher, 1/4	6	20	830368	Bushing, shock	1
7	306424	Screw, 5/16-18 x 2	1	21	830432	Nut, molly, 1/4-20	1
8	306562	Nut, 3/8-16	1	22	886794	Lever, latch	1
9	306932	Nut, 5/16-18	1	23	886819	Plate, locator, right	1
10	307776	Screw, 3/8-16 x 2 3/4	1	24	886820	Plate, locator, left	1
11	308090	Washer, 1/4	2	25	886826	Seat base (deck)	1
12	516548	Bushing, shock	1	26	886869	Bracket, shock	1
13	800390	Pop rivet	6	27	888102	Latch, complete	2
14	805408	Spring	2				



**8410 AND LATER
OIL COOLER, HINGES & GAS SPRING**

Ref. No.	Part No.	Description	No. Req'd	Ref. No.	Part No.	Description	No. Req'd
1	103867	Washer, 5/16	4	15	809206	Grommet	2
2	112050	Screw, 1/4-20 x 5/8, tapping	2	16	810441	Grommet	2
3	300646	Screw, 1/4-20 x 3/4	3	17	827243	Cooler, oil	1
4	306325	Lockwasher, 5/16	6	18	828879	Stud	2
5	306328	Pin, cotter, 3/32 x 3/4	2	19	830285	Hose, valve to cooler	1
6	306375	Nut, 1/4-20	3	20	830286	Hose, filter to cooler	1
7	306396	Lockwasher, 1/4	11	21	830313	Plate, oil cooler mounting	1
8	306416	Screw, 5/16-18 x 1	4	22	830328	Pin, hinge	1
9	306487	Screw, 1/4-20 x 1/2	6	23	830359	Bracket	1
10	306932	Nut, 5/16-18	4	24	830360	Shim, hinge	As Req'd.
11	308090	Washer, 1/4	13	25	830361	Support, lower	1
12	548176	Washer	2	26	831857	Pivot, seat	2
13	800428	Nut, M8 x 1.25	2	27	832799	Elbow	2
14	809092	Clamp	2	28	884967	Spring, gas	1

8410 AND LATER
AIR FILTER AND REAR COVER



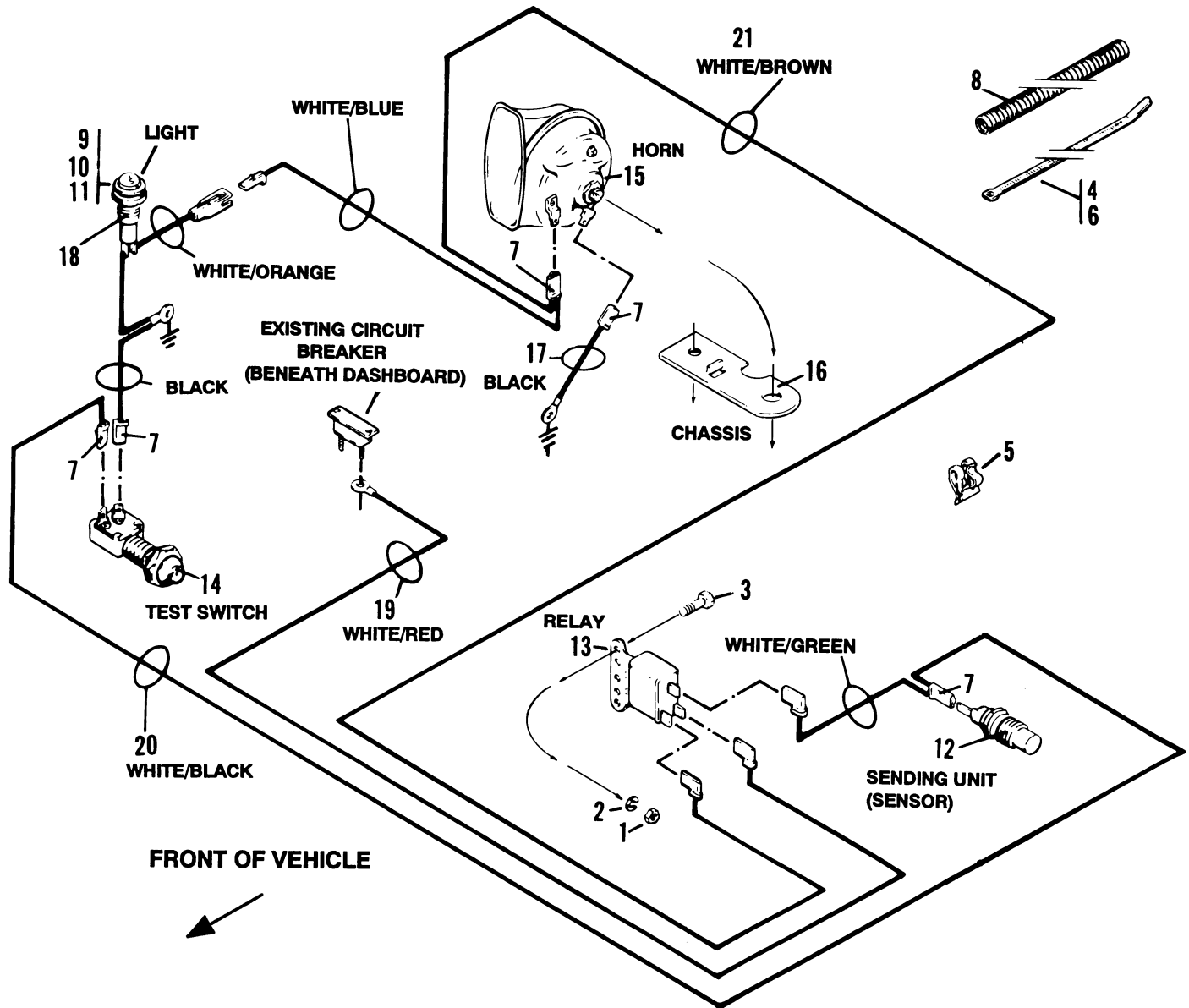
**8410 AND LATER
AIR FILTER AND REAR COVER**

Ref. No.	Part No.	Description	No. Req'd	Ref. No.	Part No.	Description	No. Req'd
1	829352	Retainer, filter	2	7	886358	Cover, rear	1
2	829417	Decal	1	8	887444	Filter, set, complete	1
3	830276	Decal, daily check	1	9	103867	•Washer, 5/16	3
4	830326	Seal, air box	1	10	306932	•Nut, 5/16-18	3
5	886065	Base, air screen	1	11	829403	•Clip	3
6	886267	Screen, intake	1				

•INDENTED PART NAMES INDICATE THESE PARTS ARE INCLUDED IN PRECEDING ASSEMBLY.

**8410 AND LATER
ENGINE TEMPERATURE WARNING SYSTEM
ALSO
DISCONTINUED SET, PART NO. 886877**

NOTE: WIRING COLOR CODES APPLY TO DISCONTINUED SET 886877 ONLY. IF THE VEHICLE HAS STANDARD EQUIPMENT WARNING SYSTEM, REFER TO THE VEHICLE WIRING DIAGRAM PAGES 108-109.



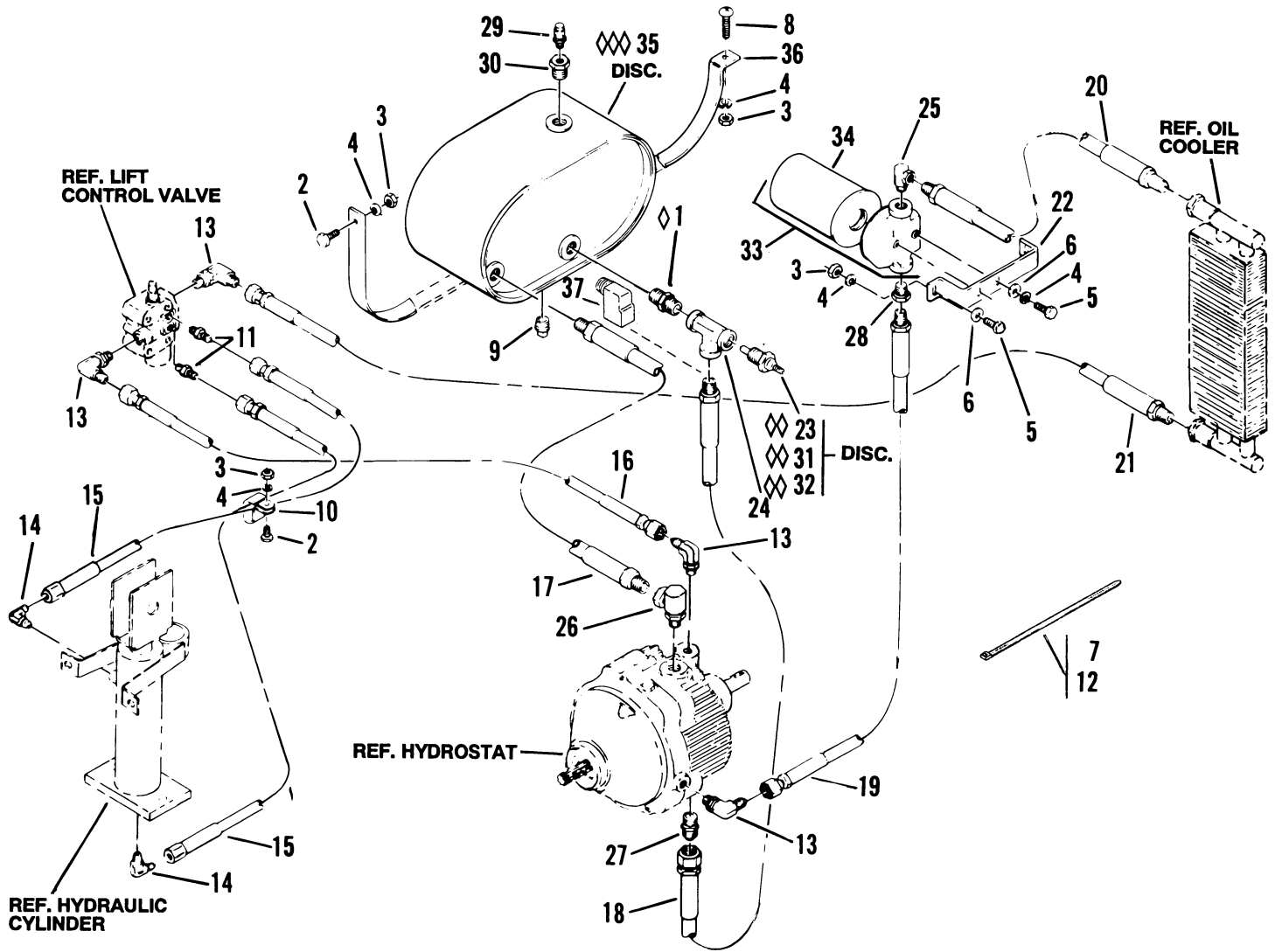
**8410 AND LATER
ENGINE TEMPERATURE WARNING SYSTEM
ALSO
DISCONTINUED SET, PART NO. 886877**

Ref. No.	Part No.	Description	No. Req'd	Ref. No.	Part No.	Description	No. Req'd
	886877	Engine temperature warning system set	DISC.	11	828772	•Lockwasher, special	1
1	306375	•Nut, 1/4-20	2	*	830260	•Decal, daily check	1
2	306396	•Lockwasher, 1/4	2	12	830288	•Sending unit, oil temperature	1
3	306487	•Screw, 1/4-20 x 5/8	2	13	830289	•Relay, warning horn	1
4	320107	•Tie, wire 7" (178 mm)	4	*	830347	•Decal, system test	1
5	813840	•Clip	4	14	830366	•Switch, test	1
6	823549	•Tie, wire 14" (356 mm)	1	15	886090	•Horn w/bracket	1
7	825880	•Connector, single contact	5	16	829695	•Bracket, horn mounting	1
8	826190	•Tubing, convoluted, 3/8" I.D. 50' (15.2 M)	As Req'd.	17	886660	•Wire, horn ground	1
*	827358	•Decal, dash	1	18	886860	•Socket w/wires	1
9	828470	•Lens, light	1	19	886861	•Wire, circuit breaker to relay	1
10	828472	•Bulb, miniature	1	20	886862	•Wire, sending unit to relay & switch	1
				21	886863	•Wire, horn to light & relay	1

* Not illustrated.

•INDENTED PART NAMES INDICATE THESE PARTS ARE INCLUDED IN PRECEDING ASSEMBLY.

8210 AND PRIOR HYDRAULIC SYSTEM



**8210 AND PRIOR
HYDRAULIC SYSTEM**

Ref. No.	Part No.	Description	No. Req'd	Ref. No.	Part No.	Description	No. Req'd
1	133573	Nipple, reservoir	◇DISC.	20	827239	Hose, cooler to filter, 17" (432 mm)	1
2	300646	Screw, 1/4-20 X 3/4	2	21	827240	Hose, control valve to cooler, 33" (842 mm)	1
3	306375	Nut, 1/4-20	6	22	827246	Bracket, filter mounting	1
4	306396	Lockwasher, 1/4	8	23	827344	Sender, heat indicator, AC ◇◇DISC.	
5	306487	Screw, 1/4-20 x 5/8	4	24	827366	Tee, oil reservoir	1
6	308090	Washer, 1/4	4	25	827394	Adapter, oil filter, upper	1
7	320107	Tie, wire, 7" (178 mm)	2	26	827395	Adapter, hydrostat body	1
8	800024	Screw, 1/4-20 x 1 1/2, P.T.H.	1	27	827396	Adapter, hydrostat charge pump	1
9	800113	Plug, drain	1	28	827401	Bushing, oil filter adapter	1
10	817320	Clamp	1	29	827486	Valve, reservoir pressure relief	1
11	823118	Connector	2	30	827487	Reducer, reservoir, pipe	1
12	823549	Tie, wire, 14" (356 mm)	1	31	828314	Sender, heat indicator, "STEWART-WARNER" . ◇◇DISC.	
13	826558	Elbow, hose, 90° w/'O' ring	4	32	828962	Sender, heat indicator, "FARIA" ◇◇DISC.	
14	826560	Elbow, hose, 90°	2	33	885103	Filter, complete	1
15	827231	Hose, valve to cylinder, 38" (870 mm)	2	34	885249	•Element, oil filter	1
16	827234	Hose, pump to valve, 14" (356 mm)	1	35	885141	Tank, oil ◇◇◇DISC.	
17	827235	Hose, reservoir inlet, 10 3/4" (273 mm)	1	36	885216	Band, oil tank	1
18	827237	Hose, reservoir outlet, 18 1/2" (470 mm)	1	37	832799	Elbow, 90°	1
19	827238	Hose, filter to hydrostat, 19" (483 mm)	1				

*Not illustrated.

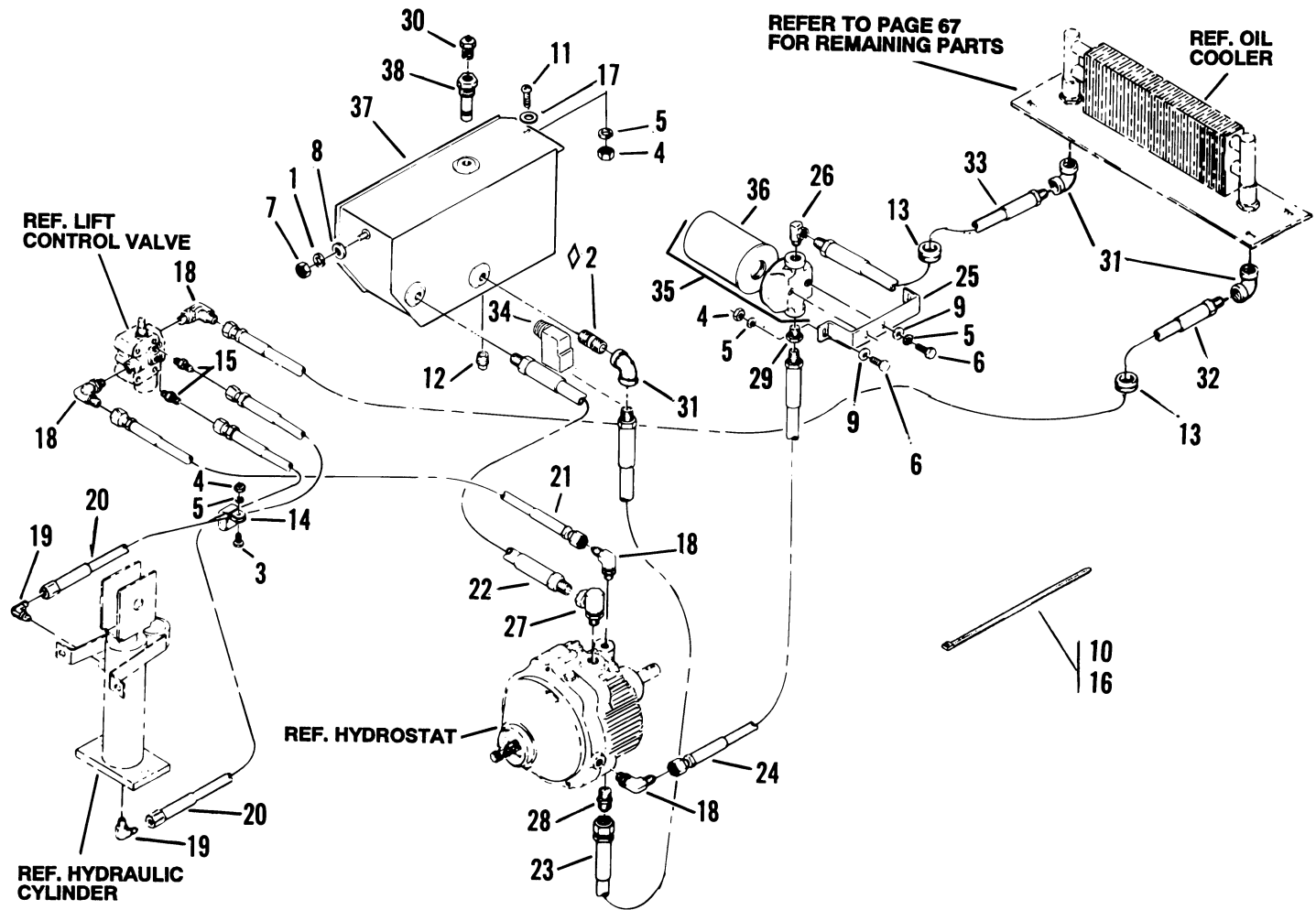
◇ DISCONTINUED – USE Part No. 832799.

◇◇DISCONTINUED – Refer to pages 98–99.

◇◇◇DISCONTINUED – Use Part No. 886352, pages 74–75.

•INDENTED PART NAMES INDICATE THESE PARTS ARE INCLUDED IN PRECEDING ASSEMBLY.

8310 AND LATER HYDRAULIC SYSTEM



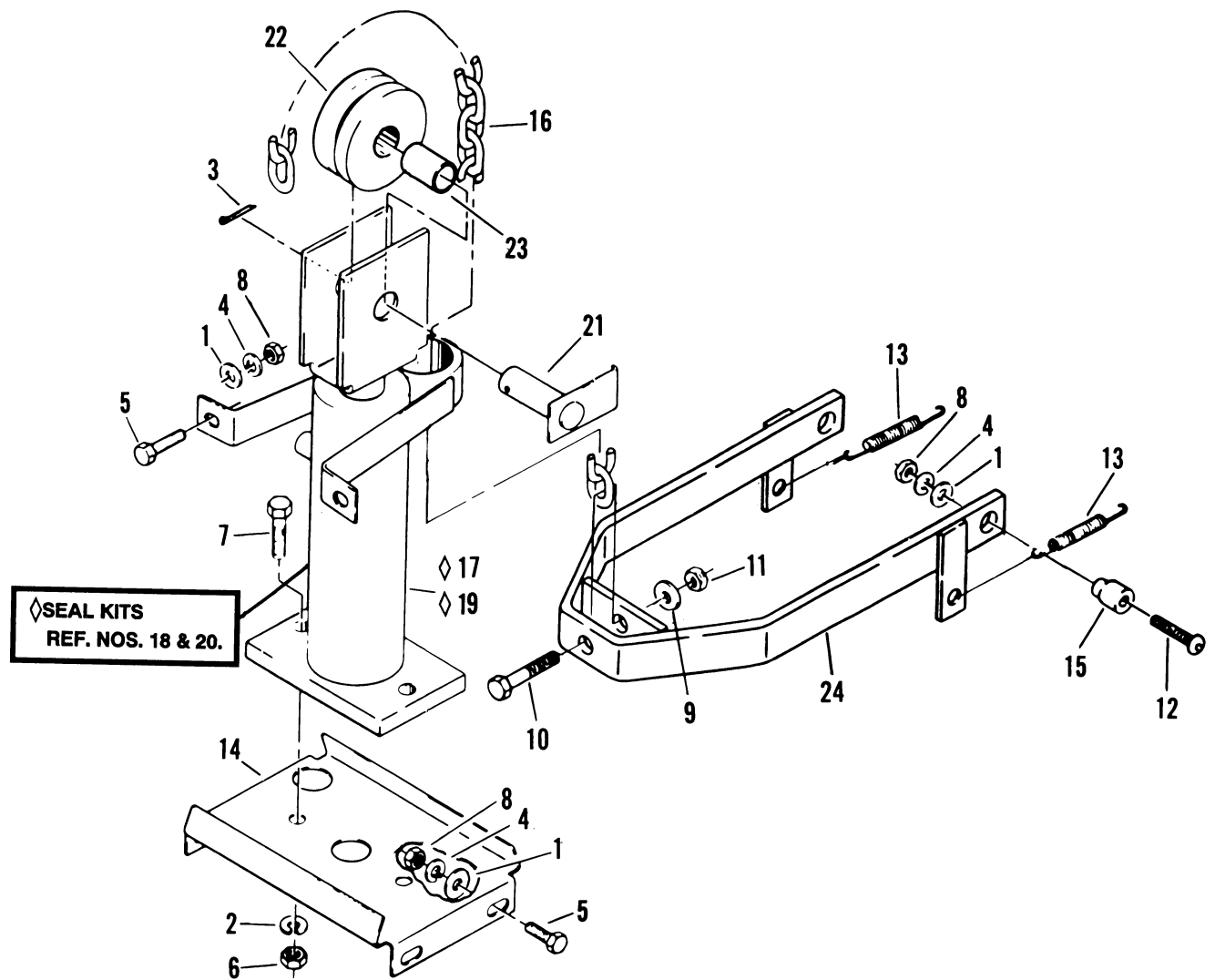
**8310 AND LATER
HYDRAULIC SYSTEM**

Ref. No.	Part No.	Description	No. Req'd	Ref. No.	Part No.	Description	No. Req'd
1	120177	Lockwasher, 3/8	1	22	827235	Hose, reservoir inlet, 10 3/4" (273 mm)	1
2	133573	Nipple, reservoir	◇DISC.	23	827237	Hose, reservoir outlet, 18 1/2" (470 mm)	1
3	300646	Screw, 1/4-20 X 3/4	1	24	827238	Hose, filter to hydrostat, 19" (483 mm)	1
4	306375	Nut, 1/4-20	5	25	827246	Bracket, filter mounting	1
5	306396	Lockwasher, 1/4	7	26	827394	Adapter, oil filter, upper	1
6	306487	Screw, 1/4-20 x 5/8	4	27	827395	Adapter, hydrostat body	1
7	306562	Nut, 3/8-16	1	28	827396	Adapter, hydrostat charge pump	1
8	306981	Washer, 3/8	1	29	827401	Bushing, oil filter adapter	1
9	308090	Washer, 1/4	4	30	827486	Valve, reservoir pressure relief	1
10	320107	Tie, wire, 7" (178 mm)	2	31	829978	Elbow, 90°	3
11	800024	Screw, 1/4-20 x 1 1/2, P.T.H.	1	32	830285	Hose, control valve to cooler, 51" (1300 mm)	1
12	800113	Plug, drain	1	33	830286	Hose, cooler to filter, 42" (1067 mm)	1
13	809206	Grommet	2	34	832799	Elbow, 90°	1
14	817320	Clamp	1	35	885103	Filter, complete	1
15	823118	Connector	2	36	885249	•Element, oil filter	1
16	823549	Tie, wire, 14" (356 mm)	1	37	886352	Reservoir, oil	1
17	825128	Washer	1	38	887085	Dipstick	1
18	826558	Elbow, hose, 90° w/'O' ring	4				
19	826560	Elbow, hose, 90°	2				
20	827231	Hose, valve to cylinder, 38" (870 mm)	2				
21	827234	Hose, pump to valve, 14" (356 mm)	1				

* Not illustrated.

◇ DISCONTINUED – USE Part No. 832799.

• INDENTED PART NAMES INDICATE THESE PARTS ARE INCLUDED IN PRECEDING ASSEMBLY.



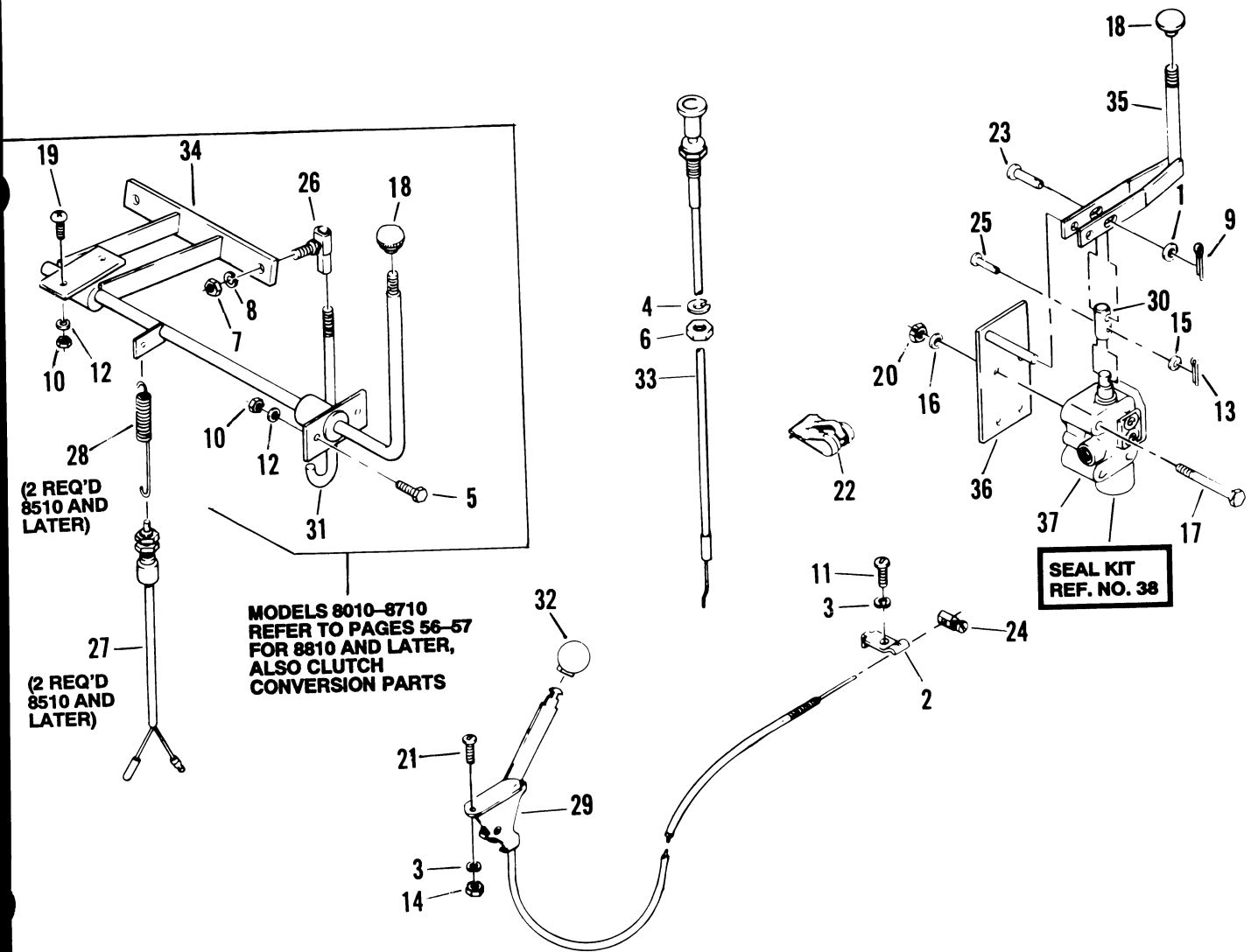
HYDRAULIC CYLINDER, STOP AND CHAIN

Ref. No.	Part No.	Description	No. Req'd	Ref. No.	Part No.	Description	No. Req'd
1	103867	Washer, 5/16	8	17◇	885102	Cylinder, hydraulic, with gland (end cap) held in place with RETAINING RING	1
2	120177	Lockwasher, 3/8	2	18*	885263	•Kit, seal, hydraulic cylinder repair	As Req'd.
3	304636	Pin, cotter, 1/8 x 1 1/8	1	OR			
4	306325	Lockwasher, 5/16	8	19◇	885102	Cylinder, hydraulic with barrel slotted & gland (end cap) held in place with lock wire	1
5	306450	Screw, 5/16-18 x 3/4	6	20*	886010	•Kit, seal, hydraulic cylinder repair	As Req'd.
6	306562	Nut, 3/8-16	2	21	885180	Pin	1
7	306835	Screw, 3/8-16 x 1 1/4	2	22	886119	Pulley, chain	1
8	306932	Nut, 5/16-18	8	23	828084	•Bushing	1
9	306981	Washer, 3/8	1	24	887718	Stop	1
10	551094	Screw, 3/8-16 x 1 3/4	1				
11	800292	Nut, 3/8-16, centerlock	1				
12	800329	Screw, 5/16-18 x 1 1/2, P.T.H.	2				
13	805444	Spring	2				
14	827241	Mounting bracket, cylinder	1				
15	827450	Pivot, chain stop	2				
16	827458	Chain, lift	1				

◇ Make sure correct seal kit is obtained.

* Not illustrated.

•INDENTED PART NAMES INDICATE THESE PARTS ARE INCLUDED IN PRECEDING ASSEMBLY.

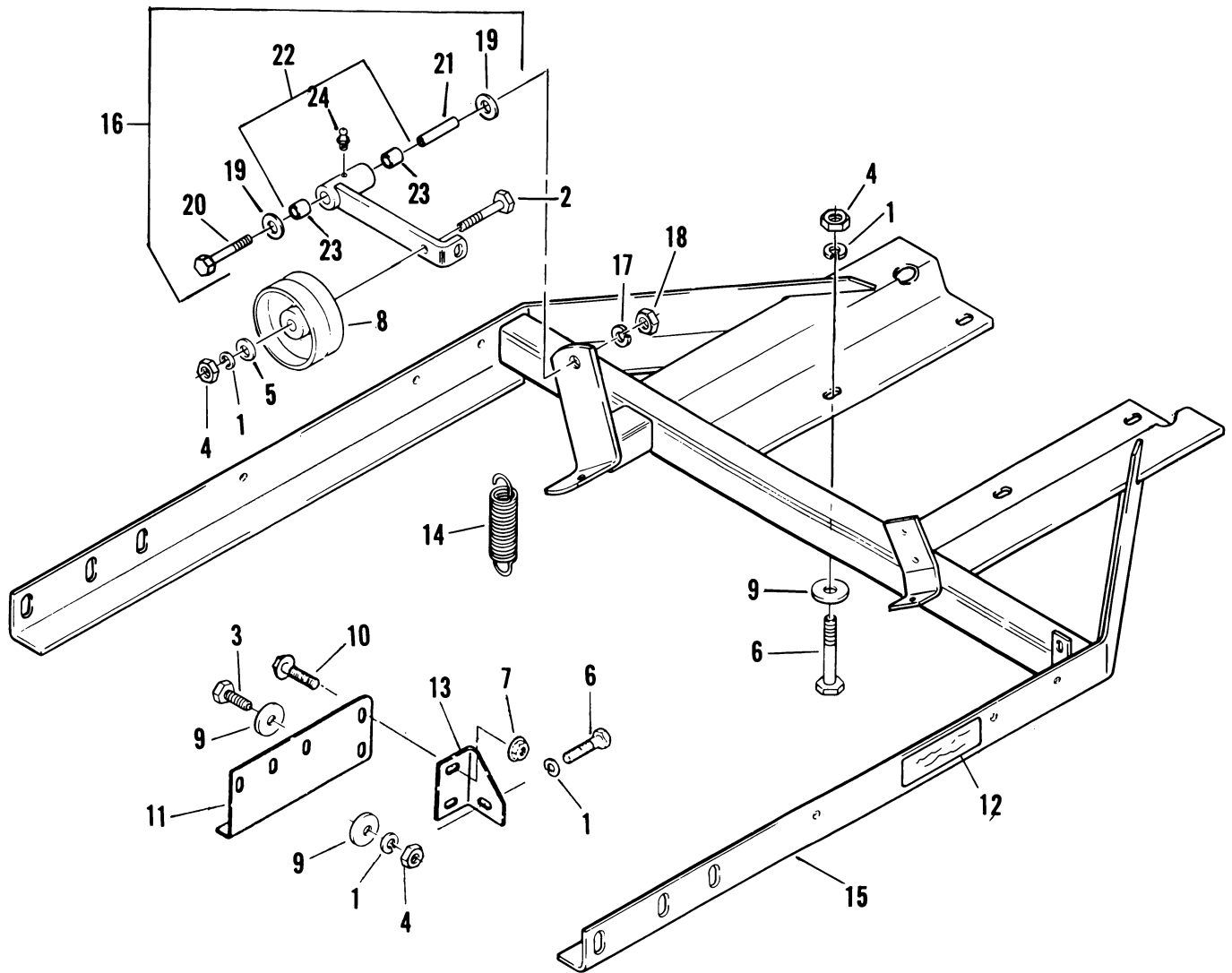


**CONTROLS:
CHOKE, HAND THROTTLE, CLUTCH (P.T.O. SHAFT) AND ACCESSORY LIFT (8010-8710)**

Ref. No.	Part No.	Description	No. Req'd	Ref. No.	Part No.	Description	No. Req'd
1	103867	Washer, 5/16	1	21	800271	Screw, #10-24 x 1/2, P.T.H.	2
2	111898	Clamp, cable	1	22	813840	Clip	1
3	120052	Lockwasher, #10	3	23	814079	Pin	1
4	120177	Lockwasher, 3/8	1	24	817104	Stop, cable	1
5	300646	Screw, 1/4-20 x 3/4	2	25	823225	Pin	1
6	306319	Nut, 3/8-24	1	26	825368	End, rod	2
7	306320	Nut, 5/16-24	2	27	825743	Switch, P.T.O.	2
8	306325	Washer, 5/16	2	28	826455	Spring	1
9	306328	Pin, cotter 3/32 x 3/4	1	29	826464	Cable, throttle control	1
10	306375	Nut, 1/4-20	4	30	826640	Connector	1
11	306391	Screw, #10-32 x 3/8	1	31	827331	Rod, control	2
12	306396	Lockwasher, 1/4	4	32	827821	Ball, control lever	1
13	306463	Pin, cotter, 1/16 x 1/2	1	33	830815	Cable, choke 42 5/8" (1083 mm)	1
14	306531	Nut, #10-24	2	34	885170	Pivot, P.T.O. shifter	1
15	308089	Washer, #10	1	35	885177	Arm, lift control	1
16	308090	Washer, 1/4	6	36	885215	Plate, valve mounting	1
17	316907	Screw, 1/4-20 x 2 3/4	4	37	885234	Valve, lift control	1
18	548171	Knob	2	38*	884599	•Seal kit, hydraulic control valve	As Req'd.
19	800026	Screw, 1/4-20 x 3/4, P.T.H.	2				
20	800059	Nut, 1/4-20, centerlock	4				

* Not illustrated.

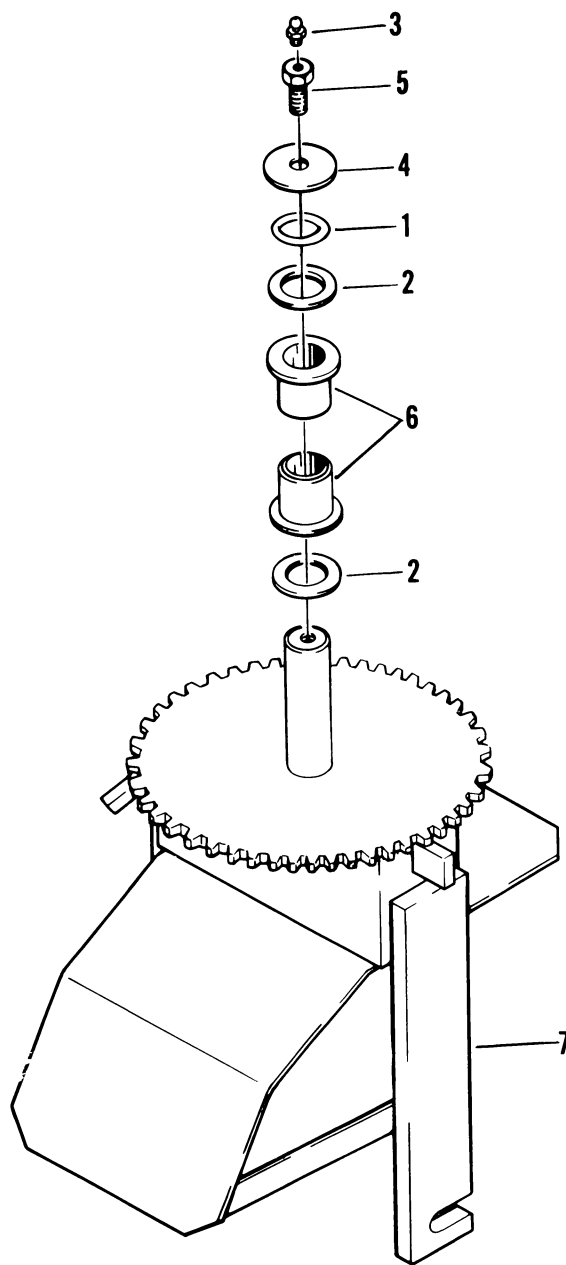
• INDENTED PART NAMES INDICATE THESE PARTS ARE INCLUDED IN PRECEDING ASSEMBLY.



ENGINE FRAME, BODY SUPPORT AND DRIVE BELT IDLER

Ref. No.	Part No.	Description	No. Req'd	Ref. No.	Part No.	Description	No. Req'd
1	120177	Lockwasher, 3/8	9	13	833260	Bracket, P.T.O. support	1
2	131794	Screw, 3/8-16 x 2	1	14	833904	Spring	1
3	306414	Screw, 3/8-16 x 1	3	15	885110	Frame	1
4	306562	Nut, 3/8-16	8	16	886716	Kit, idler arm	1
5	306981	Washer, 3/8	1	17	120177	•Lockwasher, 3/8	1
6	307776	Screw, 3/8-16 x 2 3/4	5	18	306562	•Nut, 3/8-16	1
7	548804	Nut, 3/8-16, flangelock	3	19	306981	•Washer, 3/8	2
8	548942	Pulley, belt idler	1	20	311213	•Screw, 3/8-16 x 3	1
9	604174	Washer, special	10	21	515759	•Bushing, steel	1
10	800385	Screw, 3/8-16 x 3/4, flangelock	2	22	886713	•Arm, idler pulley	1
11	827448	Support, body	1	23	516915	••Bushing, bronze	2
12	829145	Decal, tie down	2	24	807439	••Fitting, lubrication	1

•INDENTED PART NAMES INDICATE THESE PARTS ARE INCLUDED IN PRECEDING ASSEMBLY.



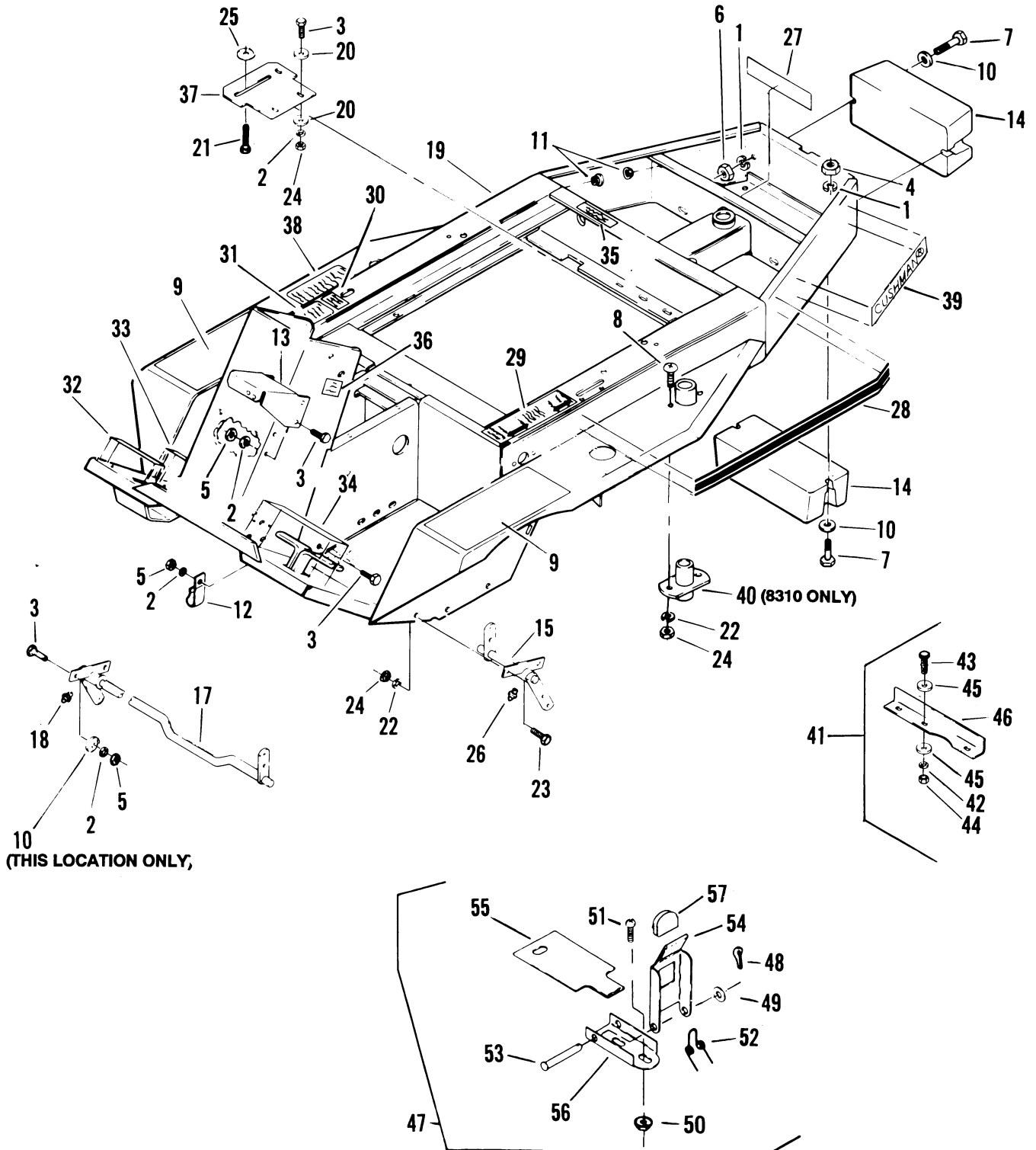
FORK [YOKE] AND SPINDLE

Ref. No.	Part No.	Description	No. Req'd	Ref. No.	Part No.	Description	No. Req'd
1	309978	'O' ring	1	5	827093	Screw, special	1
2	520231	Washer, special	2	6	827099	Bushing, spindle	2
3	548224	Fitting, lubrication	1	7	885108	Fork (yoke)	1
4	827092	Washer, special	1				

AIR CLEANER ADAPTER, BODY, BRAKE SHAFTS, SPRING BRACKET, WEIGHTS AND FRAME BRACE SET

BEGINNING WITH 8310 MODEL 898804:

- THE BRAKE SHAFTS ARE ATTACHED WITH SCREWS, NOT WELDED TO THE BODY. YOU MUST ORDER THE BRAKE SHAFTS AND HARDWARE IN ADDITION TO THE BODY FOR ALL 898804 MODELS.
- THE STEERING PULLEY BRACKET IS ATTACHED WITH SCREWS.
- NEW STYLE WEIGHTS ARE USED (ONE) NEW STYLE WEIGHT REPLACES (SIX) OLD STYLE WEIGHTS.

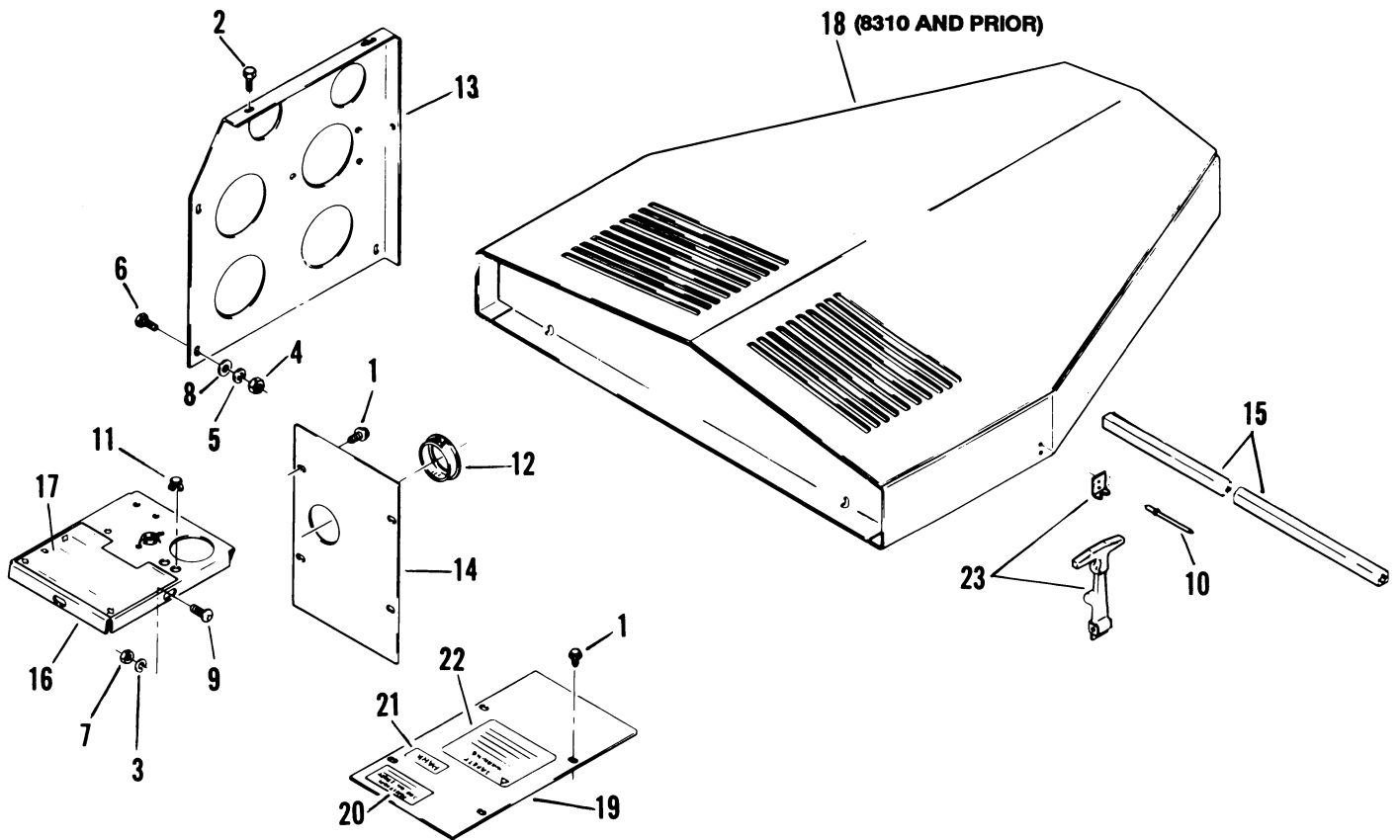


**AIR CLEANER ADAPTER, BODY, BRAKE SHAFTS, SPRING BRACKET, WEIGHTS
AND
FRAME BRACE SET**

Ref. No.	Part No.	Description	No. Req'd	Ref. No.	Part No.	Description	No. Req'd
1	120177	Lockwasher, 3/8	2	28	826450	•Decal, stripe 76" (1.9 M) As Req'd.	
2	306325	Lockwasher, 5/16	9	29	827360	•Decal, throttle & P.T.O.	1
3	306450	Screw, 5/16-18 x 3/4	7	30	827363	•Decal, accessory lift	1
4	306562	Nut, 3/8-16	2	31	827430	•Decal, safety warning, deck lift	1
5	306932	Nut, 5/16-18	9	32	827760	•Decal, direction-speed	1
6	548804	Nut, 3/8-16, flangelock	2	33	827761	•Decal, brake	1
7	551094	Screw, 3/8-16 x 1 3/4	4	34	827762	•Decal, traction assist	1
8	800177	Screw, 5/16-18 x 3/4, P.T.H.	2	35	830274	•Decal, oil fill tube	1
9	821273	Tread, step	2	36	830347	•Decal, system test	1
10	821702	Washer, special	5	37	830405	•Bracket, pulley mounting	1
11	825917	Grommet	2	38	830949	•Decal, operator safety warning	1
12	827485	Hanger, P.T.O.	1	39	832115	•Decal, CUSHMAN	2
13	827978	Bracket, spring	1	40	885761	Adapter, air cleaner	1
14	829611	Weight, counter	2	41	887059	Frame brace set As Req'd.	
15	885159	Shaft, brake, LEFT	1	42	120177	•Lockwasher, 3/8	1
16	807439	•Fitting, lubrication, 1/4-28, straight	1	43	306414	•Screw, 3/8-16 x 1	1
17	885160	Shaft, brake, RIGHT	1	44	306562	•Nut, 3/8-16	1
18	807439	•Fitting, lubrication, 1/4-28, straight	1	45	306981	•Washer, 3/8	1
19	885245	Body, w/decals	1	46	831028	•Brace, frame	1
20	103867	•Washer, 5/16	6	47	888011	Latch, seat	1
21	131794	•Screw, 3/8-16 x 2	1	48	306372	•Pin, cotter, 3/32 x 1/2	1
22	306325	•Lockwasher, 5/16	3	49	308090	•Washer, 1/4	1
23	306450	•Screw, 5/16-18 x 3/4	3	50	548910	•Nut, 1/4-20, flangelock	2
24	306932	•Nut, 5/16-18	3	51	800277	•Screw, 1/4-20 x 5/8, P.T.H.	2
25	604174	•Washer, special	1	52	816401	•Spring	1
26	807439	•Fitting, lubrication, 1/4-28, straight	1	53	830784	•Pin	1
27	816991	•Decal, alternator-battery warning	1	54	832066	•Latch, seat	1
				55	832275	•Plate, striker	1
				56	832276	•Bracket, latch	1
				57	832574	•Cover, seat latch	1

•INDENTED PART NAMES INDICATE THESE PARTS ARE INCLUDED IN PRECEDING ASSEMBLY.

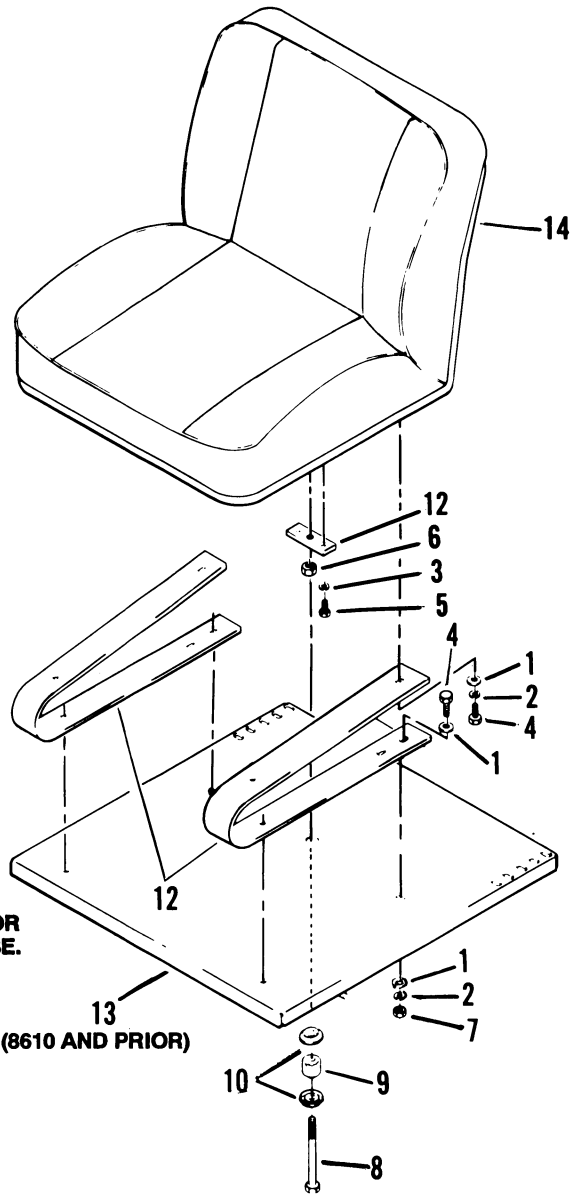
NOTE: REFER TO PAGES 68-69 FOR
8410 AND LATER COVER.



REAR COVER (8310 AND PRIOR) AND BODY PANELS

Ref. No.	Part No.	Description	No. Req'd	Ref. No.	Part No.	Description	No. Req'd
1	112050	Screw, 1/4-20, tapping	8	13	827272	Panel, air box	1
2	300646	Screw, 1/4-20 x 3/4	3	14	827292	Panel, access	1
3	306325	Lockwasher, 5/16	3	15	828389	Strip, cover sealer 10'(3M) As Req'd	
4	306375	Nut, 1/4-20	5	16	885122	Panel, dash, w/decals	1
5	306396	Lockwasher, 1/4	5	17	827358	•Decal, dash	1
6	306487	Screw, 1/4-20 x 5/8	2	18	885165	Cover, rear (8310 & Prior)	1
7	306932	Nut, 5/16-18	3	19	885197	Panel, tunnel top, w/decals	1
8	308090	Washer, 1/4	5	20	827359	•Decal, key switch	1
9	800177	Screw, 5/16-18 x 3/4, P.T.H.	3	21	827763	•Decal, park	1
10	800390	Rivet, pop	6	22	827912	•Decal, safety warning	1
11	825919	Plug, hole	1	23	888102	Latch, complete	2
12	826642	Bushing	1				

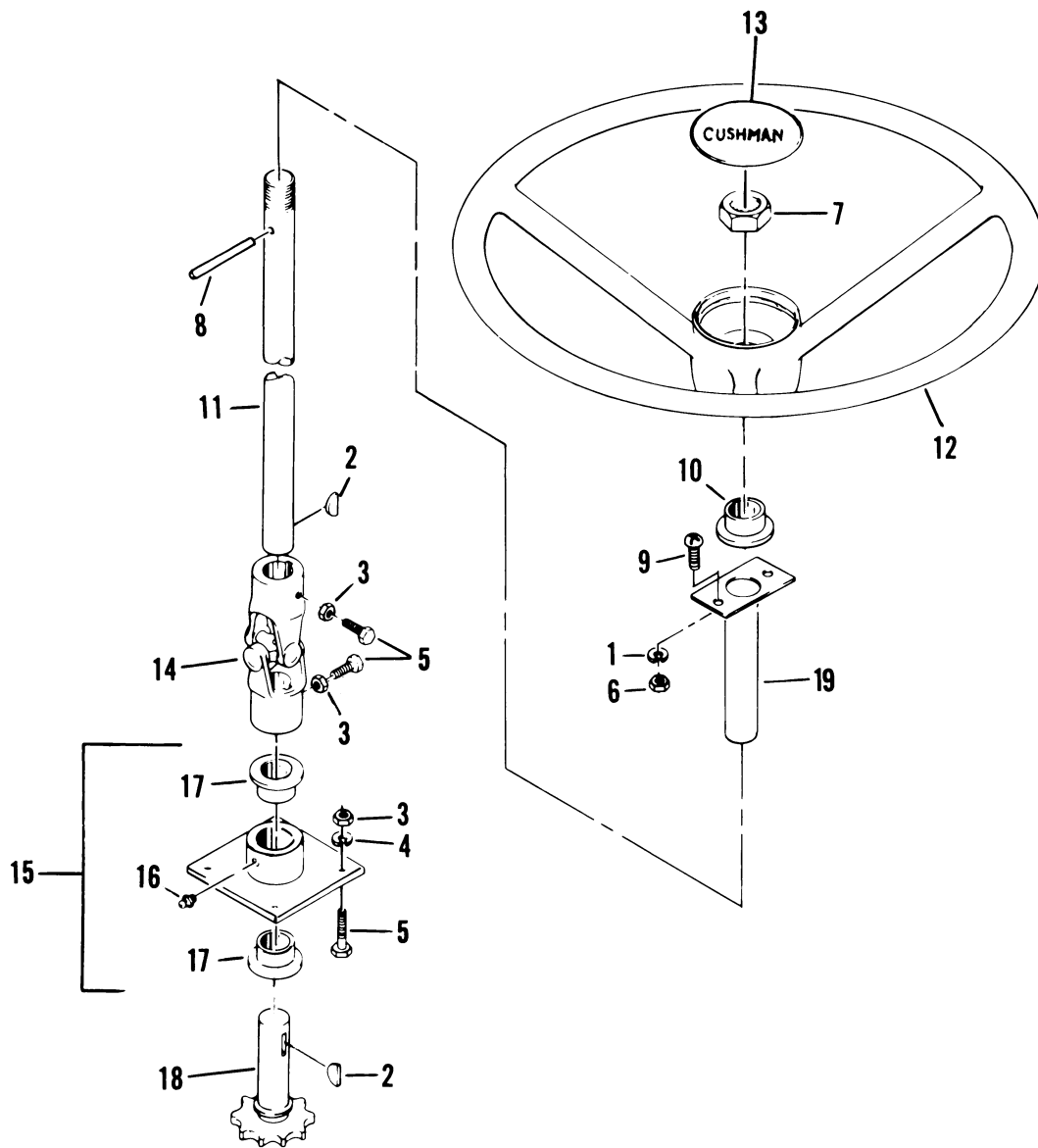
•INDENTED PART NAMES INDICATE THESE PARTS ARE INCLUDED IN PRECEDING ASSEMBLY.



NOTE: REFER TO PAGES 68-69 FOR
8410 AND LATER SEAT BASE.

**SEAT AND BASE
8310 AND PRIOR BASE**

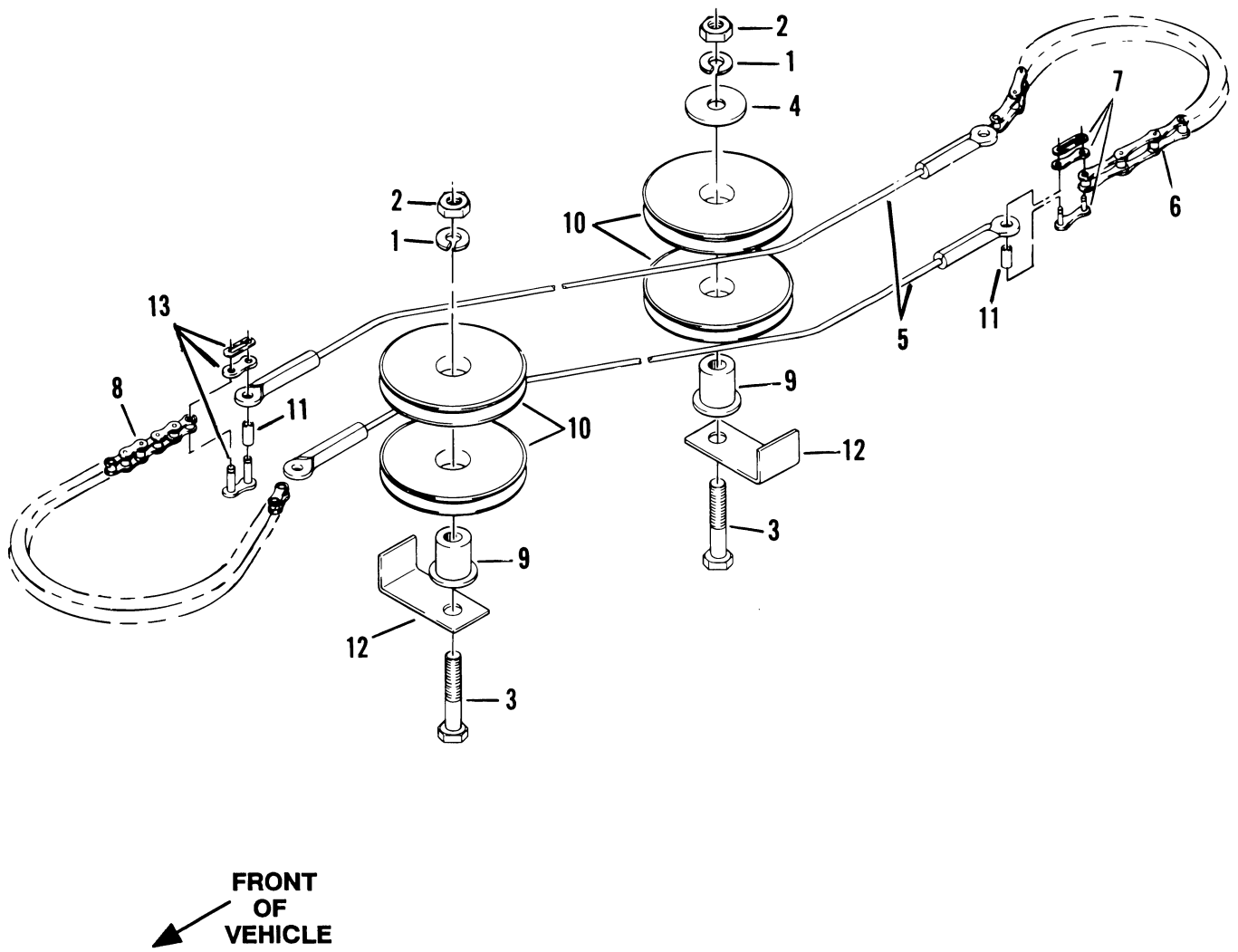
Ref. No.	Part No.	Description	No. Req'd	Ref. No.	Part No.	Description	No. Req'd
1	103867	Washer, 5/16	12	8	311391	Screw, 3/8-16 x 4	1
2	306325	Lockwasher, 5/16	8	9	810157	Bushing, rubber	2
3	306396	Lockwasher, 1/4	2	10	810758	Retainer, bushing	2
4	306416	Screw, 5/16-18 x 3/4	8	11	827464	Spring, seat	2
5	306487	Screw, 1/4-20 x 5/8	2	12	827465	Bracket, upstop	1
6	306562	Nut, 3/8-16	1	13	885179	Base, seat (8310 & Prior)	1
7	306932	Nut, 5/16-18	4	14	885224	Seat	1



STEERING GEAR

Ref. No.	Part No.	Description	No. Req'd	Ref. No.	Part No.	Description	No. Req'd
1	120052	Lockwasher, #10	2	11	827190	Shaft, steering	1
2	306367	Key, #9, woodruff	2	12	827191	Wheel, steering	1
3	306375	Nut, 1/4-20	6	13	831298	Nameplate	1
4	306396	Lockwasher, 1/4	4	14	885107	Joint, universal	1
5	306487	Screw, 1/4-20 x 5/8	6	15	885206	Bushing & plate, steering	1
6	306531	Nut, #10-24	2	16	548224	•Fitting, lubrication	1
7	307665	Nut, 3/4-16	1	17	827188	•Bearing, steering	2
8	316945	Pin, spirol, 1/4 x 1 7/8	1	18	887068	•Sprocket, steering	1
9	800296	Screw, #10-24 x 3/4, P.T.H.	2	19	888057	Retainer, bearing	1
10	827188	Bearing, steering	1				

•INDENTED PART NAMES INDICATE THESE PARTS ARE INCLUDED IN PRECEDING ASSEMBLY.

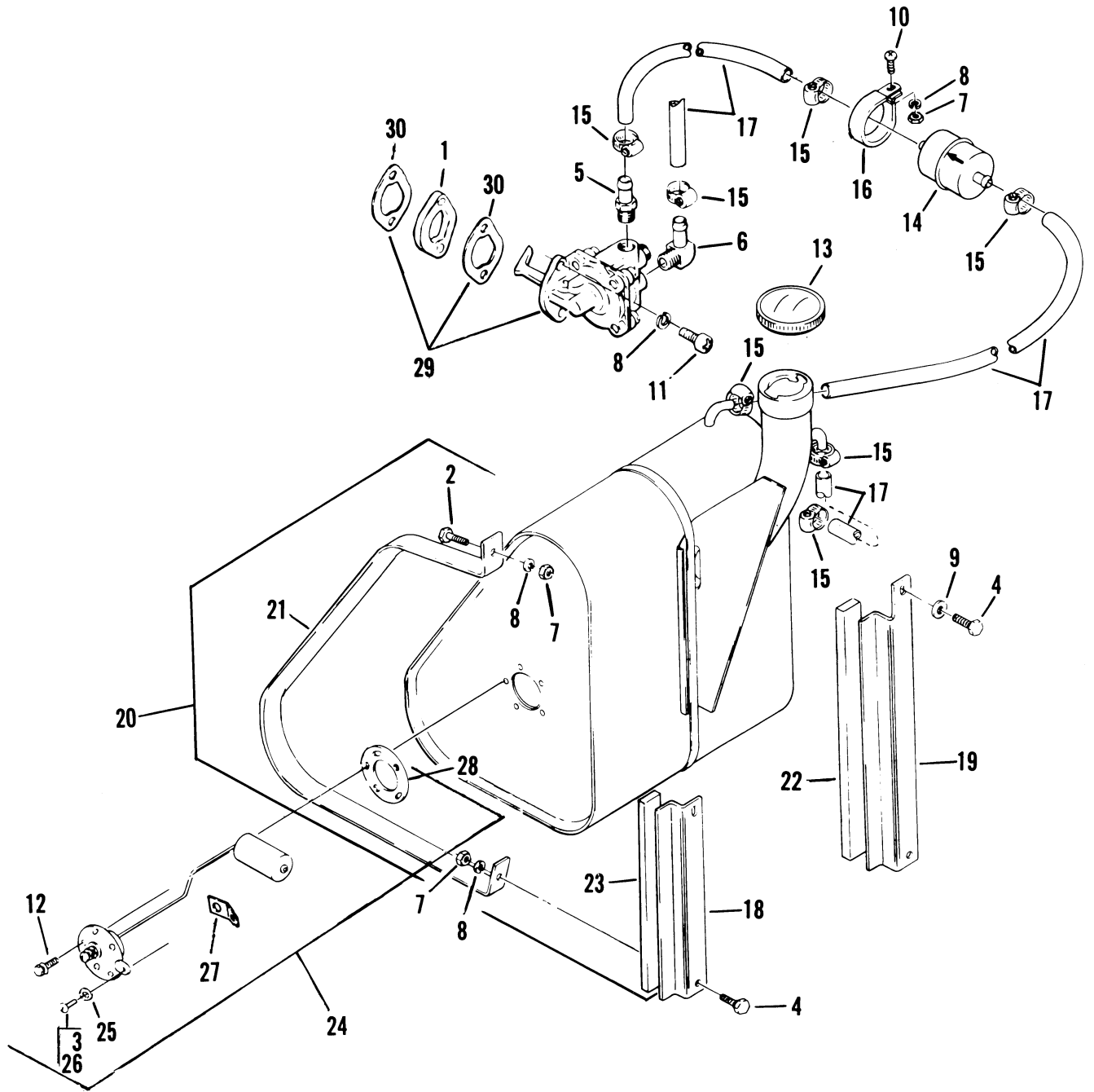


STEERING CABLES, CHAINS AND PULLEYS

Ref. No.	Part No.	Description	No. Req'd	Ref. No.	Part No.	Description	No. Req'd
1	120177	Lockwasher, 3/8	2	8	827167	Chain, steering, front 14 1/2" (368 mm)	1
2	306562	Nut, 3/8-16	2	9	827180	Pivot, pulley	2
3	551094	Screw, 3/8-16 x 1 3/4	2	10	827182	Pulley	4
4	604174	Washer, special	1	11	827490	Bushing, connector link	4
5	827133	Cable, steering	2	12	827817	Retainer, cable	2
6	827166	Chain, steering, rear 31" (792 mm)	1	13	876431	Link, connector, 1/2 pitch #40	2
7	830433	•Link, connector, double pitch #40	2				

•INDENTED PART NAMES INDICATE THESE PARTS ARE INCLUDED IN PRECEDING ASSEMBLY.

8410 AND PRIOR
FUEL SYSTEM, PUMP, TANK, HOSES AND FILTER



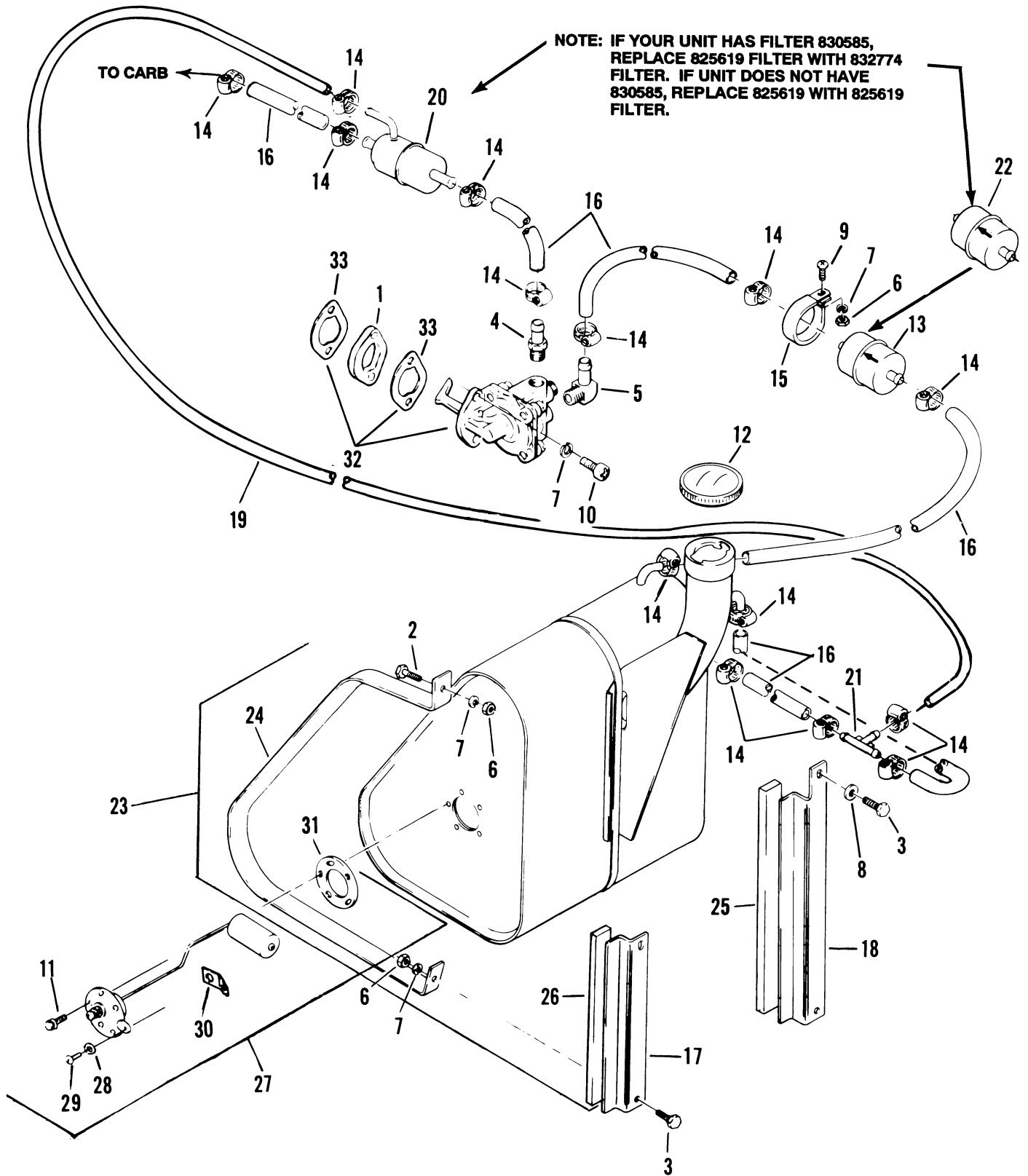
**8410 AND PRIOR
FUEL SYSTEM, PUMP, TANK, HOSES AND FILTER**

Ref. No.	Part No.	Description	No. Req'd	Ref. No.	Part No.	Description	No. Req'd
1	111890	Block, insulator	1	17	826590	Hose, fuel, 25' (7.6 M)	As Req'd.
2	121818	Screw, 1/4-20 x 1 5/8	2	18	827389	Brace, fuel tank (short)	1
3	130255	Screw, #10-24 x 1/4	1	19	827390	Brace, fuel tank (long)	1
4	302288	Screw, 1/4-20 x 1	4	20	886909	Fuel tank set, complete	1
5	303492	Nipple, fuel, straight	1	*	821893	•Trim 12' (3.6 M)	As Req'd.
6	306266	Nipple, fuel, 90°	1	21	827304	•Band, tank	2
7	306375	Nut, 1/4-20	7	22	830308	•Pad, fuel tank (long)	1
8	306396	Lockwasher, 1/4	9	23	830309	•Pad, fuel tank (short)	1
9	308090	Washer, 1/4	2	24	887176	Sending unit, fuel (complete)	1
10	800026	Screw, 1/4-20 x 3/4, P.T.H.	1	25	120052	•Lockwasher, #10	1
11	800229	Screw, 1/4-20 x 1, fillister hd.	2	26	130255	•Screw, #10-24 x 1/4, rd.hd.	1
12	800306	Screw, special sealing	5	27	829787	•Terminal, male	2
13	819494	Cap, fuel tank	1	28	829954	•Gasket	1
14	825619	Filter, fuel	1	29	887257	Pump, fuel w/gaskets	1
15	825624	Clamp, hose	7	30	111779	•Gasket	2
16	825884	Clamp, filter	1				

* Not illustrated.

•INDENTED PART NAMES INDICATE THESE PARTS ARE INCLUDED IN PRECEDING ASSEMBLY.

**8510 AND LATER
FUEL SYSTEM, PUMP, TANK, HOSES AND FILTERS**

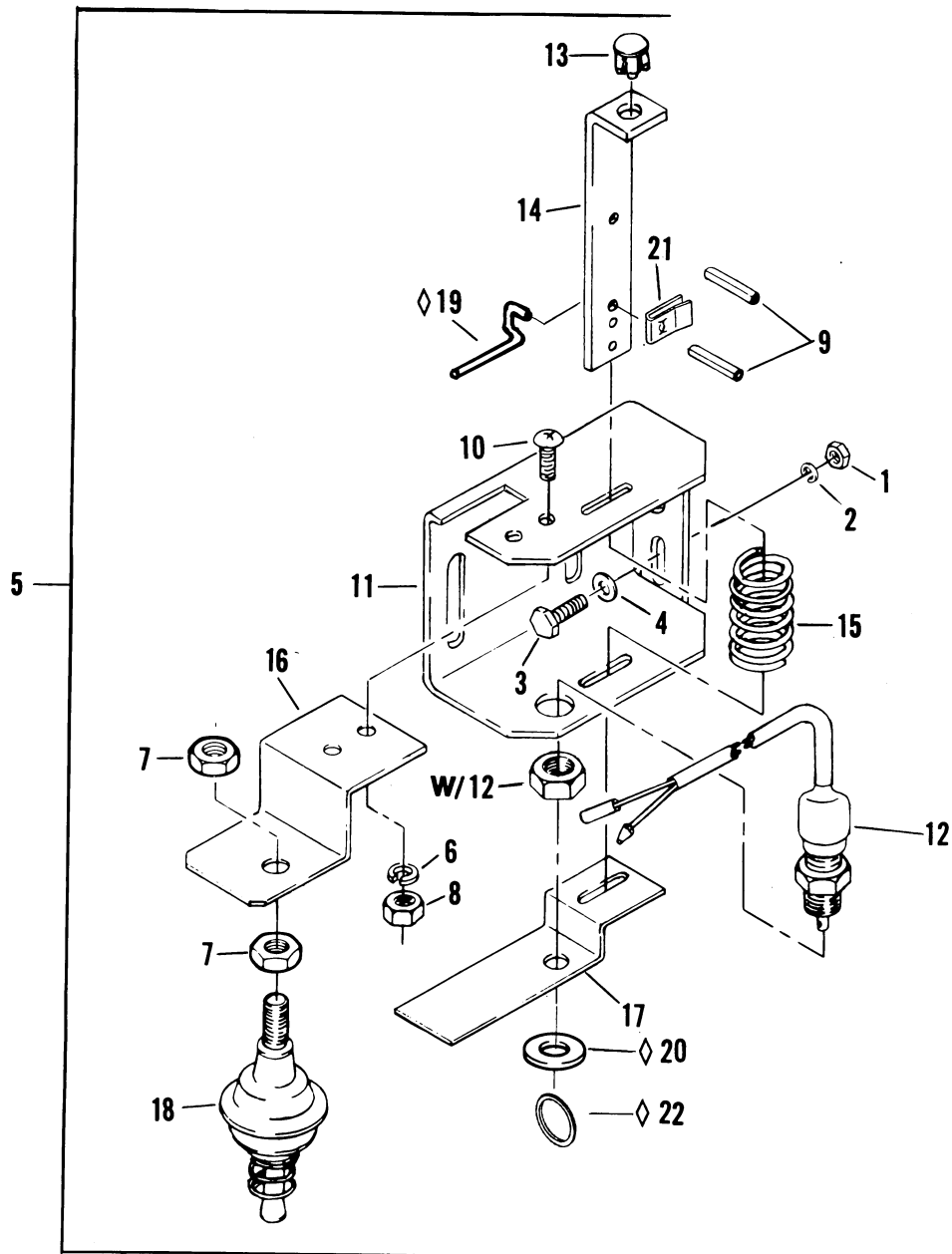


**8510 AND LATER
FUEL SYSTEM, PUMP, TANK, HOSES AND FILTERS**

Ref. No.	Part No.	Description	No. Req'd	Ref. No.	Part No.	Description	No. Req'd
1	111890	Block, insulator	1	18	827390	Brace, fuel tank (long)	1
2	121818	Screw, 1/4-20 x 1 5/8	2	19	830425	Hose, 25' (7.6 M)	As Req'd.
3	302288	Screw, 1/4-20 x 1	4	20	830585	Filter, fuel, bypass	1
4	303492	Nipple, fuel, straight	1	21	830819	Tee, fuel	1
5	306266	Nipple, fuel, 90°	1	22	832774	Filter, fuel	1
6	306375	Nut, 1/4-20	7	23	886909	Fuel tank set, complete	1
7	306396	Lockwasher, 1/4	9	*	821893	•Trim 12' (3.6 M)	As Req'd.
8	308090	Washer, 1/4	2	24	827304	•Band, tank	2
9	800026	Screw, 1/4-20 x 3/4, P.T.H.	1	25	830308	•Pad, fuel tank (long)	1
10	800229	Screw, 1/4-20 x 1, fillister hd.	2	26	830309	•Pad, fuel tank (short)	1
11	800306	Screw, special sealing	5	27	887176	Sending unit, fuel (complete)	1
12	819494	Cap, fuel tank	1	28	120052	•Lockwasher, #10	1
13	825619	Filter, fuel	1	29	130255	•Screw, #10-24 x 1/4, rd.hd.	1
14	825624	Clamp, hose	7	30	829787	•Terminal, male	2
15	825884	Clamp, filter	1	31	829954	•Gasket	1
16	826590	Hose, fuel, 25' (7.6 M)	As Req'd.	32	887258	Pump, fuel w/gaskets	1
17	827389	Brace, fuel tank (short)	1	33	111779	•Gasket	2

* Not illustrated.

•INDENTED PART NAMES INDICATE THESE PARTS ARE INCLUDED IN PRECEDING ASSEMBLY.

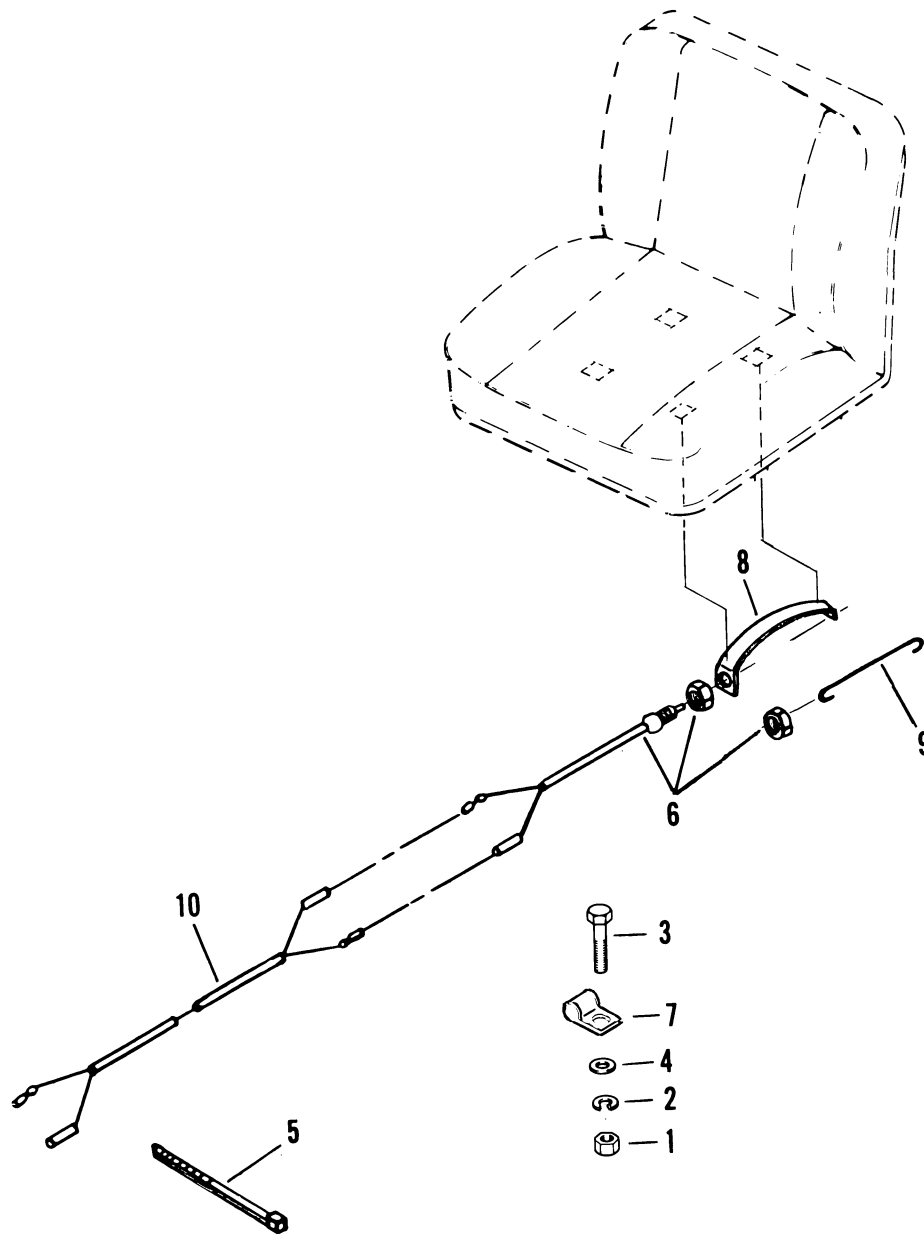


**SEAT SWITCH
8010-8810**

Ref. No.	Part No.	Description	No. Req'd	Ref. No.	Part No.	Description	No. Req'd
1	306375	Nut, 1/4-20	2	12	825743	•Switch	1
2	306396	Lockwasher, 1/4	2	13	825919	•Plug, plastic, hole	1
3	306487	Screw, 1/4-20 x 5/8	2	14	830588	•Strap, seat switch	1
4	308090	Washer, 1/4	3	15	830892	•Spring, seat switch	1
5	883579	Switch, seat	1	16	830945	•Bracket, dash pot mounting	1
6	120052	•Lockwasher, #10	2	17	830946	•Bracket, dash pot actuator	1
7	306390	•Nut, 5/16-24	2	18	830995	•Dash pot, seat switch	1
8	306531	•Nut, #10-24	2	19	888990	•Seat switch kit w/formed wire	1
9	306971	•Pin, roll, 3/16 x 1 1/8	2	20	308090	••Washer, 1/4	◇1
10	800022	•Screw, #10-24 x 3/8, P.T.H.	2	21	800238	••Nut, speed	◇1
11	825182	•Bracket, seat switch	1	22	830988	••Ring	◇1

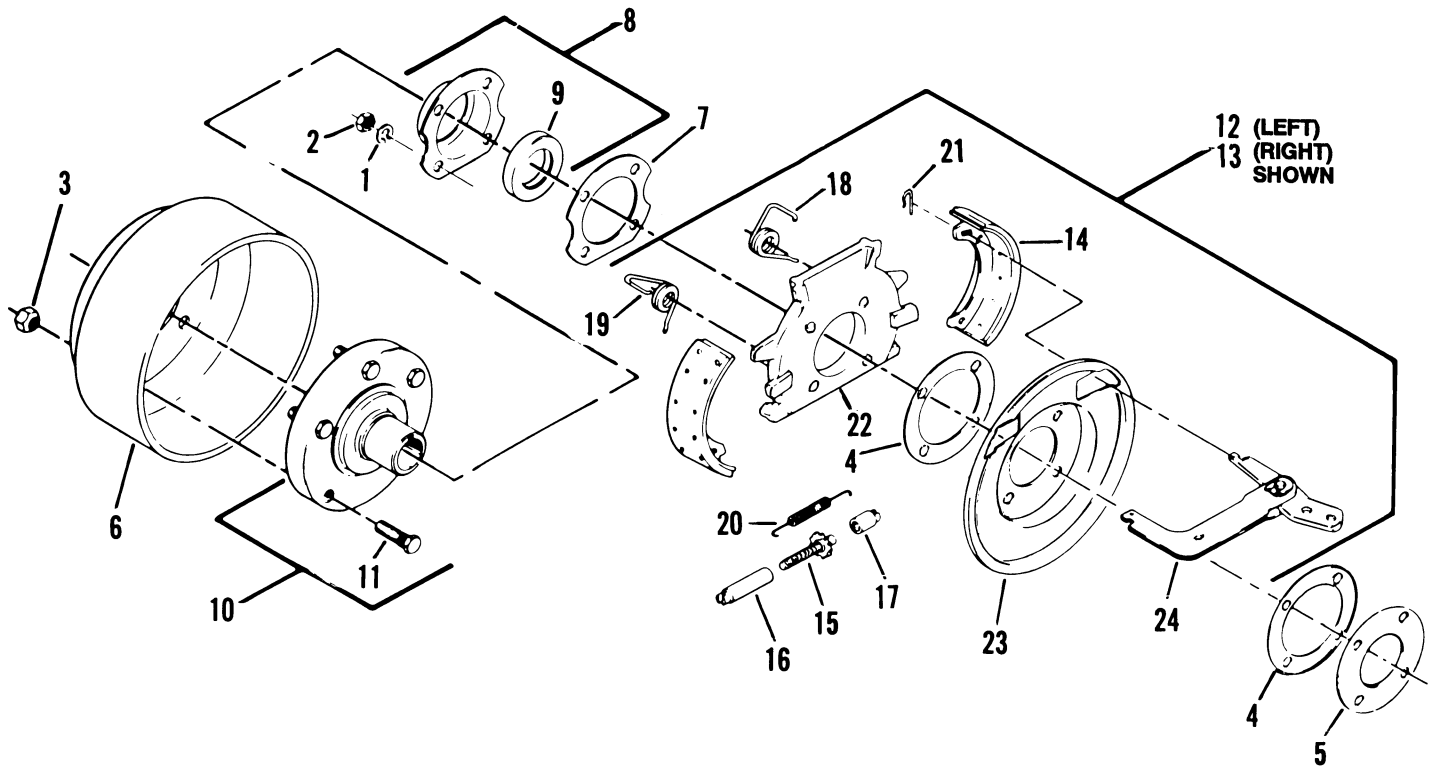
◇ Included in seat switch kit, Part No. 888990.

• INDENTED PART NAMES INDICATE THESE PARTS ARE INCLUDED IN PRECEDING ASSEMBLY.



**SEAT SWITCH
8910 AND LATER**

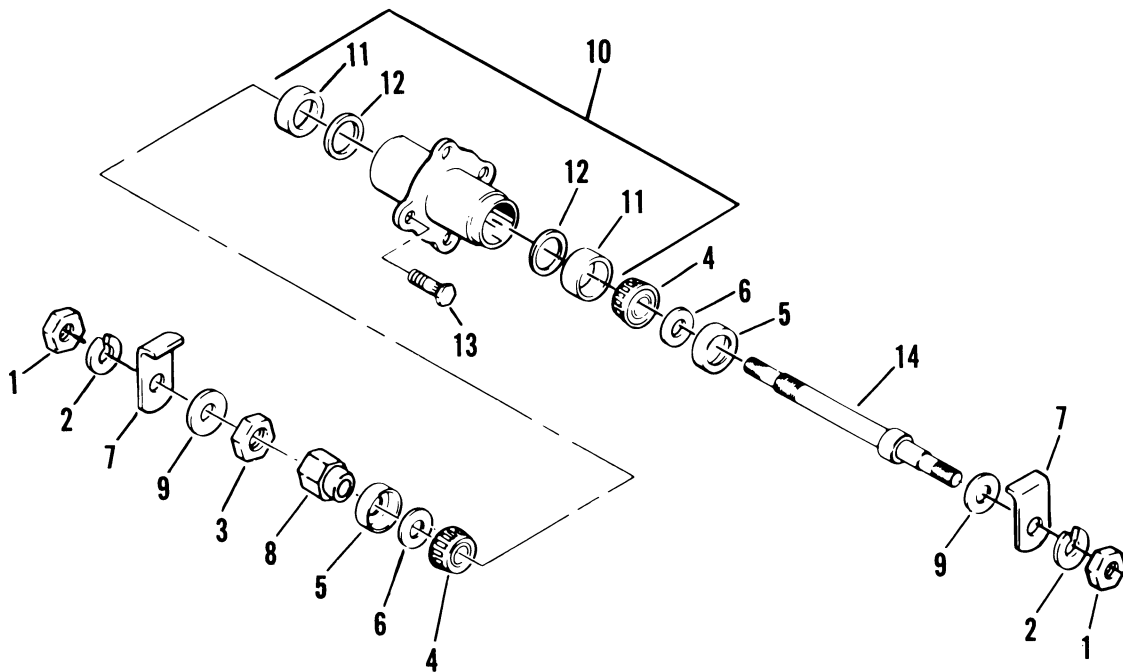
Ref. No.	Part No.	Description	No. Req'd	Ref. No.	Part No.	Description	No. Req'd
1	306375	Nut, 1/4-20	1	6	825743	Switch, pull w/nuts	1
2	306396	Lockwasher, 1/4	1	7	828906	Clamp, wire	1
3	306487	Screw, 1/4-20 x 5/8	1	8	831519	Spring, compression	1
4	308090	Washer, 1/4	1	9	831520	Rod, control	1
5	320107	Tie, 7" (178 mm)	1	10	888500	Harness, wire	1



BRAKE AND HUB

Ref. No.	Part No.	Description	No. Req'd	Ref. No.	Part No.	Description	No. Req'd
1	306325	Lockwasher, 5/16	8	14	824573	•Kit, brake shoe	1
2	306932	Nut, 5/16-18	8	15	824826	•Screw, adjusting	1
3	800419	Nut, wheel retaining	10	16	824827	•Nut, adjusting screw pivot	1
4	808303	Gasket, hub oil seal	4	17	824828	•Socket, adjusting screw	1
5	814472	Retainer, wheel bearing	2	18	824835	•Spring, shoe return, LEFT	1
6	827155	Drum, brake	2	19	824836	•Spring, shoe return, RIGHT	1
7	827204	Gasket, wheel hub	2	20	824837	•Spring, adjusting screw	1
8	879476	Seal and retainer	2	21	827499	•Clip, retainer	2
9	814488	•Seal	1	22	836580	•Spider	1
10	885128	Hub, wheel, complete	2	23	838272	•Shield, dust	1
11	806274	•Screw, wheel mounting	5	24	885250	•Arm, actuating	1
12	885199	Brake, LEFT, complete	1				
	OR						
13	885200	Brake, RIGHT, complete	1				

•INDENTED PART NAMES INDICATE THESE PARTS ARE INCLUDED IN PRECEDING ASSEMBLY.

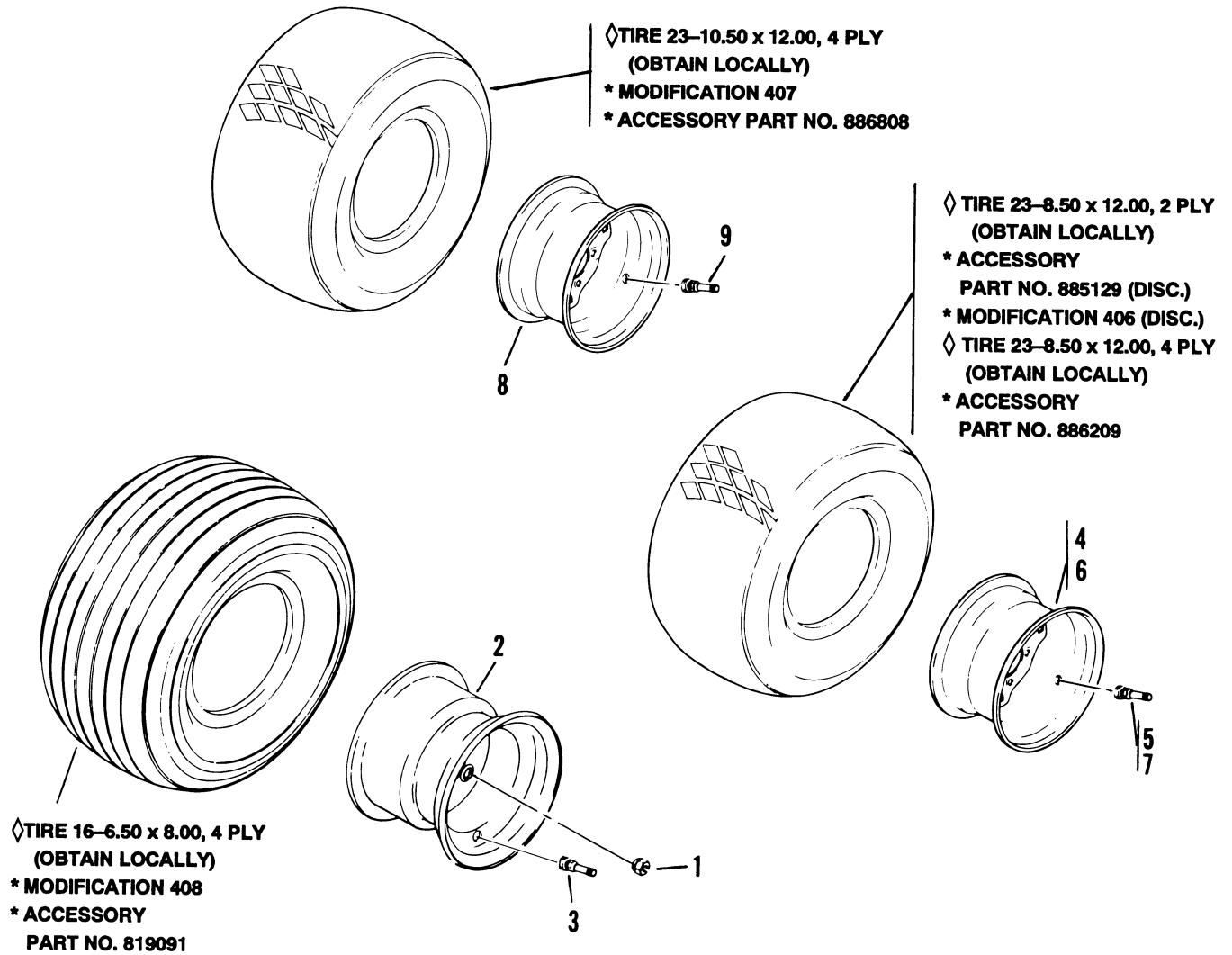


REAR HUB AND AXLE

Ref. No.	Part No.	Description	No. Req'd	Ref. No.	Part No.	Description	No. Req'd
1	130084	Nut, 5/8-18	2	8	831199	Nut, special	1
2	306494	Lockwasher, 5/8	2	9	836674	Washer, special	2
3	307665	Nut, 3/4-16	1	10	880197	Hub	1
4	385174	Cone, bearing	2	11	808088	•Cup, bearing	2
5	807630	Seal, grease	2	12	809268	•Ring, bearing backing	2
6	809229	Slinger, grease	2	13	816320	•Screw, wheel mtg.	4
7	813717	Lock, axle	2	14	885105	Axle, rear	1

•INDENTED PART NAMES INDICATE THESE PARTS ARE INCLUDED IN PRECEDING ASSEMBLY.

**TIRES, WHEELS, SPARE TIRE ACCESSORY SETS
AND
MODIFICATIONS: 406 (DISCONTINUED)
407
408 (PLUS PARTS PAGE 96-97)**



**TIRES, WHEELS, SPARE TIRE ACCESSORY SETS
AND
MODIFICATIONS: 406 (DISCONTINUED)
407
408 (PLUS PARTS PAGE ??????)**

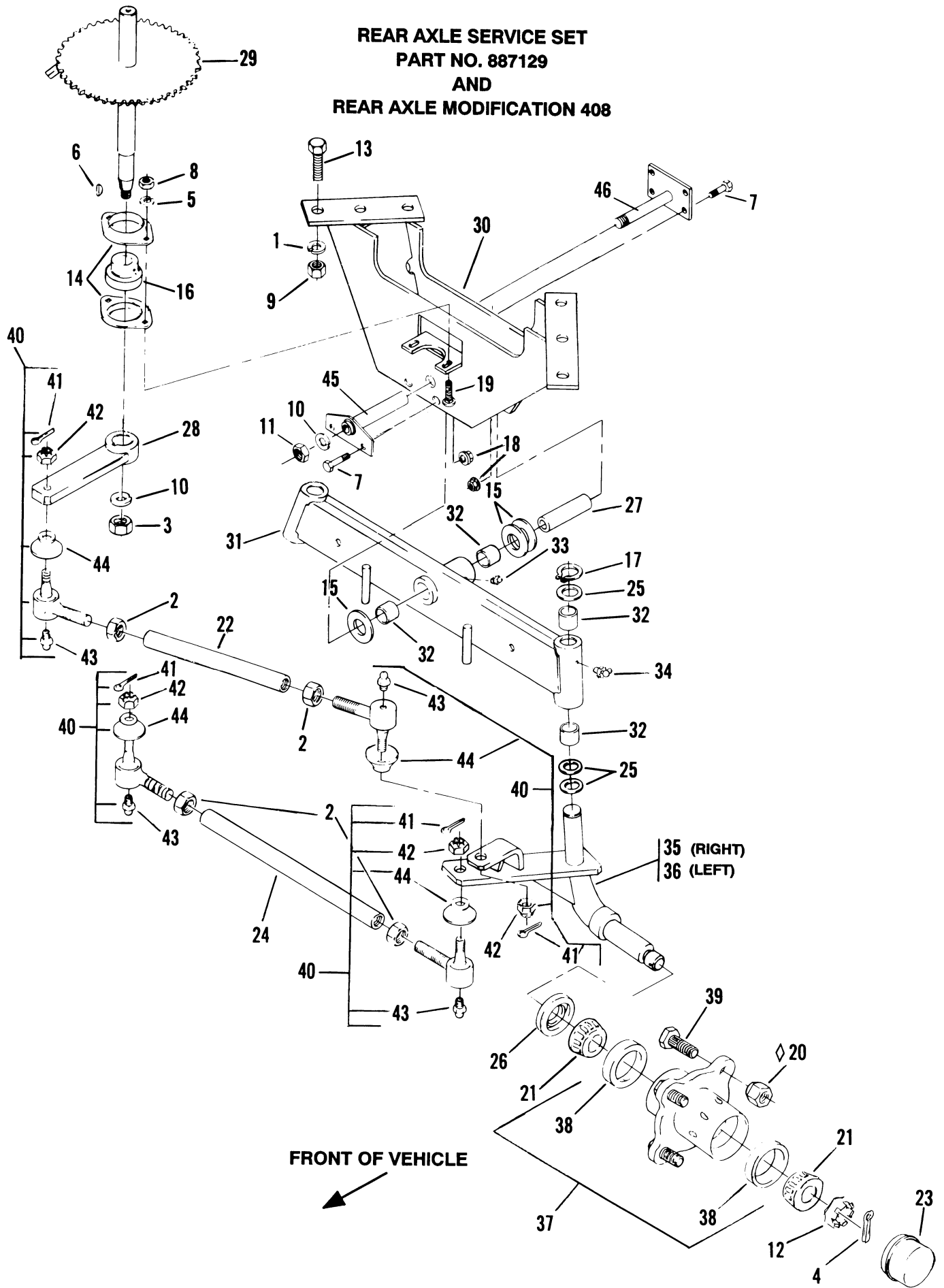
Ref. No.	Part No.	Description	No. Req'd	Ref. No.	Part No.	Description	No. Req'd
1	800419	Nut, wheel retaining	14-19	*	886209	Spare tire, 23-8.50 x 12, Softrac	As Req'd.
*	819091	Spare tire, 16-6.50 x 8.00 4 PLY	As Req'd.	6	827447	•Wheel, 7 x 12.00	1
2	819905	•Wheel, 6.50 x 8.00	1	7	886735	•Stem, valve	1
3	886735	•Stem, valve	1	◇	•Tire, 23-8.50 x 12.00, 4 PLY, obtain locally	1	
	◇	•Tire, 16-6.50 x 8.00, 4 PLY, obtain locally	1	*	886808	Spare tire, 23-10.50 x 12.00, Ultra trac	As Req'd.
*	885129	Spare tire, 23-8.50 x 12, Softrac	DISC.	8	827447	•Wheel, 7 x 12.00	1
4	827447	•Wheel, 7 x 12.00	1	9	886735	•Stem, valve	1
5	886735	•Stem, valve	1	◇	•Tire, 23-10.50 x 12, 4 PLY, Ultra trac	1	
	◇	•Tire, 23-8.50 x 12.00, 2 PLY, obtain locally	1				

* Not illustrated.

◇ Obtain locally.

• INDENTED PART NAMES INDICATE THESE PARTS ARE INCLUDED IN PRECEDING ASSEMBLY.

**REAR AXLE SERVICE SET
PART NO. 887129
AND
REAR AXLE MODIFICATION 408**



**REAR AXLE SERVICE SET
PART NO. 887129
AND
REAR AXLE MODIFICATION 408**

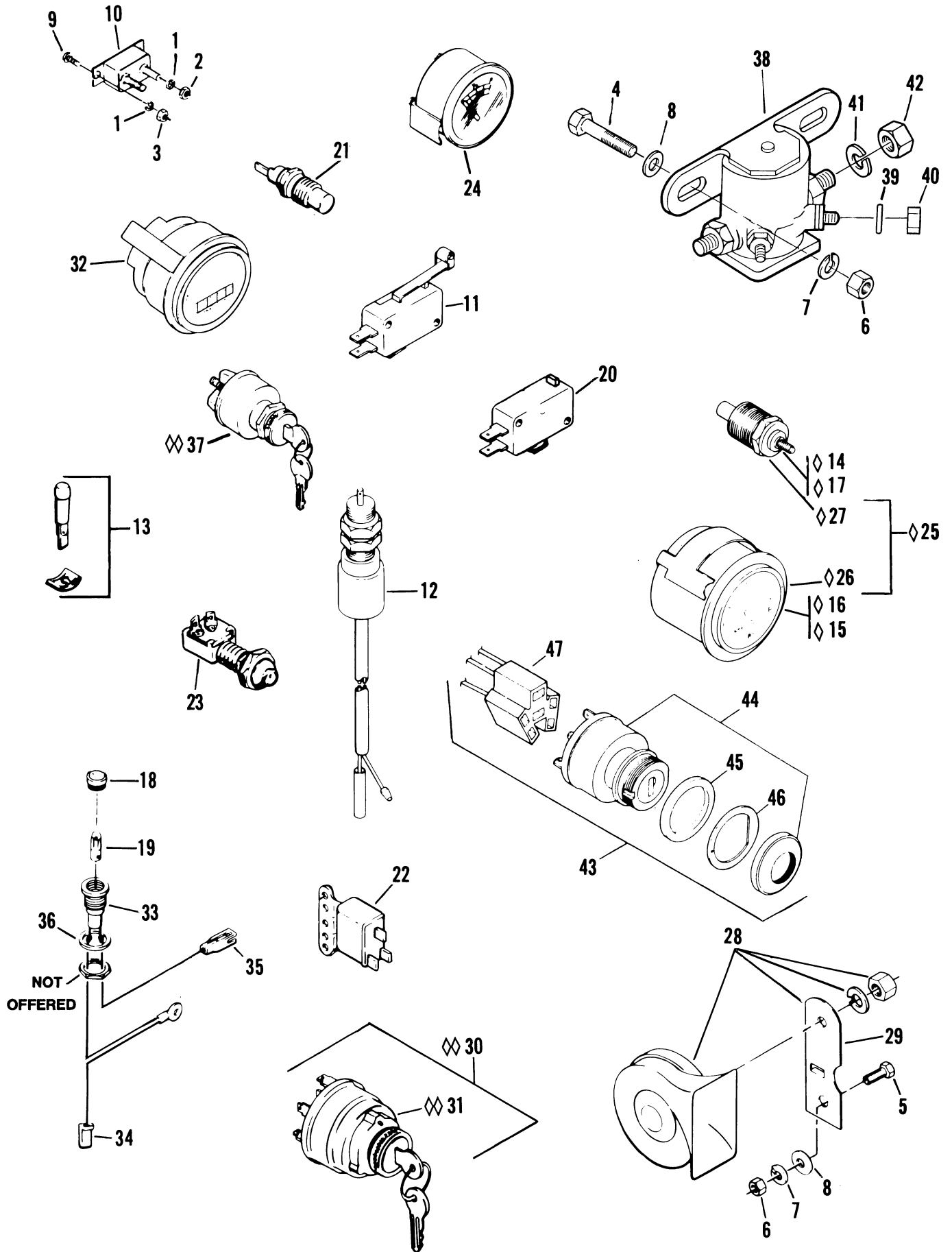
Ref. No.	Part No.	Description	No. Req'd	Ref. No.	Part No.	Description	No. Req'd
	887129	Rear axle service set	1	22	819799	•Rod, tie, short, 7"(178 mm) ...	1
	OR			23	824569	•Cover, axle bearing	2
	408	Rear axle modification, complete	1	24	829443	•Rod, tie, long, 17 7/16"(443 mm)	1
1	120166	•Lockwasher, 1/2	4	25	830692	•Washer, thrust	6
2	302944	•Nut, 9/16-18	4	26	830772	•Seal, grease	2
3	304104	•Nut, 5/8-18	1	27	830912	•Bushing, axle pivot	1
4	304636	•Pin, cotter, 1/8 x 1 1/8	2	28	887027	•Arm, steering	1
5	306325	•Lockwasher, 5/16	2	29	887028	•Shaft, steering	1
6	306367	•Key, woodruff, #9	1	30	887029	•Frame, axle support	1
7	306450	•Screw, 5/16-18 x 3/4	6	31	887030	•Axle, complete	1
8	306932	•Nut, 5/16-18	2	32	520528	••Bushing	6
9	308332	•Nut, 1/2-13	4	33	807439	••Fitting, lubrication, straight ...	1
10	310856	•Lockwasher, 5/8	1	34	807442	••Fitting, lubrication, 90°	2
11	311385	•Nut, 5/8-11	1	35	887032	•Spindle, RIGHT	1
12	311537	•Nut, 3/4-16, castle	2	36	887033	•Spindle, LEFT	1
13	316911	•Screw, 1/2-13 x 1 3/8	4	37	887035	•Hub	2
14	521969	•Housing, bearing	2	38	814474	••Cup, bearing	2
15	522167	•Washer	8	39	816320	••Screw, wheel mounting	4
16	545786	•Bearing, ball w/collar	1	*◇	887068	•Sprocket, steering	1
17	548327	•Ring, lock	2	40	887512	•Tie rod end w/hardware	4
18	800290	•Nut, 5/16-18, lock	6	41	306328	••Pin, cotter, 3/32 x 3/4	1
19	800358	•Bolt, 5/16-18 x 3/4, carriage ..	2	42	306825	••Nut, 7/16-20, castle	1
20◇	800419	•Nut, wheel retaining	4	43	548224	••Fitting, lubrication	1
21	814473	•Cone, bearing	4	44	816586	••Retainer, grease	1
*◇	819091	•Tire and wheel	4	45	890004	Pivot, tube	1
*	819905	••Wheel, 6.50 x 8.00	1	46	890005	Pivot, bolt	1
*	886735	••Stem, valve	1				

◇ 887129 set contains (4) 800419, (1) 819091 (pages 94-95) and (1) 887068 (page 84).

* Not illustrated.

• INDENTED PART NAMES INDICATE THESE PARTS ARE INCLUDED IN PRECEDING ASSEMBLY.

ELECTRICAL COMPONENTS



ELECTRICAL COMPONENTS

Ref. No.	Part No.	Description	No. Req'd	Ref. No.	Part No.	Description	No. Req'd
1	120052	Lockwasher, #10	4	26	828961	•Gauge, oil temperature, "FARIA"	◇DISC.
2	132520	Nut, #10-32	2	27	828962	•Sender, heat indicator, "FARIA"	◇DISC.
3	133079	Nut, #8-32	2	28	886090	Horn w/bracket	1
4	300646	Screw, 1/4-20 x 3/4	2	29	829695	•Bracket, horn mounting	1
5	302288	Screw, 1/4-20 x 1	1	30	886780	Switch, ignition set, complete	◇◇DISC.
6	306375	Nut, 1/4-20	3	31	830095	•Switch, ignition, (blade terminals)	◇◇DISC.
7	306396	Lockwasher, 1/4	3	*	886779	Connector and wire	1
8	308090	Washer, 1/4	3	*	830090	•Connector	1
9	800178	Screw, #8-32 x 1/2, P.T.H.	2	32	886802	Hour meter	1
10	806807	Circuit breaker	1	33	886860	Socket w/wires & hardware (oil temperature)	1
11	825217	Switch, micro	1	34	825880	•Connector, single	1
12	825743	Switch, P.T.O./seat	3	35	826726	•Connector, contact	1
13	825939	Light, warning, alternator & oil	2	36	828772	•Lockwasher, special	1
14	827344	Sender, heat indicator, 'AC'	◇DISC.	37	888178	Switch, ignition (threaded terminals) w/hardware	1
15	827345	Gauge, oil temperature, 'AC'	◇DISC.	38	889673	Solenoid, 12 volt w/nuts	1
16	828313	Gauge, oil temperature, "STEWART-WARNER"	◇DISC.	39	120052	•Lockwasher, #10	2
17	828314	Sender, heat indicator "STEWART-WARNER"	◇DISC.	40	132520	•Nut, #10-32	2
18	828470	Lens, light	1	41	306325	•Lockwasher, 5/16	2
19	828473	Bulb, miniature, #1893	1	42	306932	•Nut, 5/16-18	2
20	830139	Switch, micro	1	43	890154	Switch, ignition set	1
21	830288	Sending unit, heat sensor	1	44	837295	•Switch, ignition, (blade terminals)	1
22	830289	Relay, horn	1	45	837299	•Spacer	1
23	830366	Switch, test	1	46	837300	•Washer	1
24	833279	Receiver unit, fuel	1	47	890158	•Connector and wire	1
25	885617	Oil temperature gauge & sender set	◇DISC.				

* Not illustrated.

◇ All oil temperature senders and gauges are DISCONTINUED. Beginning with 8510 Models oil temperature sensor, Part No. 830288, horn relay, Part No. 830289 and horn, Part No. 886090 are used.

◇◇ Identify switch before ordering: threaded terminal or blade terminal. Ignition switch set, Part No. 886780 and ignition switch, Part No. 830095 are DISCONTINUED -USE ignition switch set, Part No. 890154.

• INDENTED PART NAMES INDICATE THESE PARTS ARE INCLUDED IN PRECEDING ASSEMBLY.

CUSHMAN®

38

POWER TAKE-OFF

↑ ENGAGE
↓ DISENGAGE

POWER TAKE OFF CONTROL MUST BE IN "DISENGAGED" POSITION BEFORE ENGINE WILL START

DISENGAGE POWER TAKE OFF BEFORE LEAVING SEAT.

☐ ENGAGE POWER TAKE OFF AT SLOW THROTTLE SETTING ONLY - TO PREVENT EXCESSIVE CLUTCH WEAR.

↑ FAST
↓ SLOW

THROTTLE PULL TO CHOKE

827360

11

TRACTION ASSIST FOOT PEDALS
SHARP TURN ASSIST - DEPRESS:
LEFT PEDAL FOR LEFT TURN
RIGHT PEDAL FOR RIGHT TURN

DIRECTION-SPEED FOOT PEDAL
FORWARD-ROCK PEDAL FORWARD AND DOWN
NEUTRAL-DO NOT MOVE PEDAL
REVERSE-ROCK PEDAL DOWN WITH HEEL

FOR TRACTION ASSIST - DEPRESS PEDAL OF SLIPPING WHEEL

BRAKE FOOT PEDAL
DEPRESS TO STOP

PARKING BRAKE LEVER
TO SET-DEPRESS BRAKE PEDAL AND LIFT LEVER
TO RELEASE-DEPRESS BRAKE PEDAL

ENGINE OVERHEAT OIL PRESSURE ALTERNATOR CHARGE

9

PARK

827763

20

ACCESSORY LIFT

PULL UP TO LIFT
PUSH DOWN TO LOWER

827363

12

ENG. TEMP. WARNING SYSTEM

HORN - LAMP TEST

820347

33

DIRECTION-SPEED

827760

17

SAFETY WARNING

KEEP HANDS & FEET FROM UNDER MACHINE

8

WARNING ALTERNATOR-BATTERY SERVICE

1 THIS IS A NEGATIVE GROUND SYSTEM REVERSING BATTERY CONNECTION WILL DAMAGE ALTERNATOR RECTIFIER
2 BOOSTER BATTERY'S USED FOR STARTING MUST BE CONNECTED WITH PROPER POLARITY
3 BATTERY CABLES SHOULD BE DISCONNECTED BEFORE USING A FAST CHARGER

816901

4

CAUTION

2

CUSHMAN®
Front Line™

27

TRACTION ASSIST

LEFT TURN RIGHT TURN

827762

19

SAFETY WARNING

ENGAGE YELLOW LATCH WITH FLOOR BOARD WHENEVER MAINTENANCE IS PERFORMED UNDER MOWER DECK INJURY COULD RESULT FROM DECK DROPPING UNEXPECTEDLY.

827422

13

SAFETY WARNING

FAILURE TO OBEY A SAFETY WARNING MAY RESULT IN INJURY TO YOU OR OTHERS.

BEFORE OPERATING
READ AND UNDERSTAND OPERATORS MANUAL (LOCATED UNDER REAR COVER)
ONLY OPERATOR IN SEAT - NO PASSENGERS
INSPECT AND CLEAR AREA OF OBSTRUCTIONS AND OBJECTS IN PATH OF ACCESSORY
KEEP PEOPLE AND PETS A SAFE DISTANCE AWAY

WHILE OPERATING
KEEP ALL GUARDS AND SHIELDS IN PLACE
REMAIN IN OPERATORS SEAT AT ALL TIMES
KEEP ARMS AND LEGS WITHIN VEHICLE BODY
AVOID SUDDEN STARTS, STOPS, AND TURNS
DRIVE STRAIGHT UP AND DOWN SLOPES
ADJUST SPEED TO CONDITIONS
IF MALFUNCTION OCCURS, CEASE OPERATION. DO NOT OPERATE UNTIL CONDITION IS CORRECTED
DISENGAGE POWER TAKE OFF WHEN TRANSPORTING OR WHEN ACCESSORY IS NOT IN USE

BEFORE LEAVING SEAT
SET PARKING BRAKE IT IS NOT AUTOMATICALLY APPLIED
DISENGAGE POWER TAKE OFF MOVE THROTTLE TO SLOW
TURN IGNITION KEY TO OFF POSITION AND REMOVE
WAIT FOR ALL MOVEMENT TO STOP BEFORE LEAVING OPERATOR'S SEAT OR SERVICING MACHINE

36

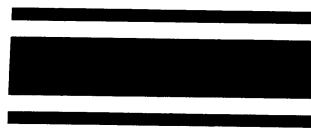
BRAKE

827761

18

RUBBER GROMMET UNDER WING NUT MUST BE IN PLACE TO PREVENT AIR LEAKAGE AND EXCESS ENGINE WEAR

5



6



35

CUSHMAN INC.
A RANSOMES CO.
LINCOLN, NEBRASKA 68501

R.O.P.S. NUMBER 885537
TESTED IN ACCORDANCE WITH SAE J1194
DESIGNED FOR TRACTOR MODELS
898804 898806 898807
898808 898809 898810
MAXIMUM TRACTOR MASS 1600 LBS.

829464

22

SAFETY WARNING

DO NOT REMOVE THIS GUARD
KEEP HANDS & FEET FROM UNDER MACHINE

1

IMPORTANT
THIS DIFFERENTIAL WORM GEAR CENTERLINE IS TO BE SHIMMED FOR COUNTER-CLOCKWISE INPUT ROTATION (AS VIEWED FROM PINION INPUT END)

7

Right Belt 828451 B61

Left Belt 827184 B75

TO INSTALL BELTS
1 REMOVE BOTH BELT COVERS
2 REMOVE SCREWS MOUNTING GEAR BOX SUPPORT
3 DISCONNECT IDLER SPRINGS
4 THREAD BELT AROUND PULLEYS AS ILLUSTRATED
NOTE LEFT BELT USES UPPER PULLEYS
5 INSIDE BELT COVERS SHOULD BE KEPT CLEAN
6 REPLACE SPRINGS AND BELT COVERS

827425

15

DO NOT USE POWER FRAME FOR TIE DOWN. STRUCTURAL DAMAGE WILL OCCUR.

829145

23

Grass Caddy

29

TO INSTALL BELTS:

1. REMOVE BOTH BELT COVERS.
2. REMOVE SCREWS MOUNTING GEAR BOX SUPPORT.
3. DISCONNECT IDLER SPRINGS.
4. THREAD BELT AROUND PULLEYS AS ILLUSTRATED. NOTE LEFT BELT USES UPPER PULLEYS.
5. INSIDE BELT COVERS SHOULD BE KEPT CLEAN.
6. REPLACE SPRINGS AND BELT COVERS.

820297

34

Cyclopac Air Cleaner

Service Instructions (See Owner's Manual for detailed instructions)

1. Remove element only when necessary to clean or replace.
2. Wipe inside of air cleaner with damp cloth.
3. Inspect gaskets, system, and tighten clamps.
4. Check replacement element for any damage.

829417

37

FOAM INNER FILTER MUST BE IN PLACE AT ALL TIMES AND MUST SEAL AGAINST ENDS AND LOWER EDGE, FRONT AND BACK, OF OUTER SCREEN. INSPECT FILTER AND CONDENSOR FINS FOR DIRT ACCUMULATION DAILY. WHEN REPLACING INNER FILTER, FRONT MUST SLOPE TO THE REAR.

829417

26

OIL FILL TUBE

ALWAYS REMOVE DIP STICK WHILE ADDING OIL

830274

31

CUTTING HEIGHT

Min	Spacers	Approximate Height
1	0	1 1/2
2	1 1/2	2
3	1 1/2	2 1/2
4	2	3
5	2	3 1/2
6	2 1/2	4
7	3	4 1/2
8	3 1/2	5

WHEN PIN IS IN A GIVEN HOLE, THE CORRESPONDING NUMBER OF SPACERS MUST BE USED BETWEEN THE CASTER WHEEL AND ITS SUPPORT. ABOVE CHART IS A GUIDE FOR HEIGHT ADJUSTMENT. TIRE SIZE, AIR PRESSURE AND TREAD DESIGN MAY REQUIRE DEVIATIONS FROM THE CHART TO LEVEL DECK. DECK MUST BE LEVEL FOR A QUALITY CUT. CHECK LEVEL OF DECK AND IF NECESSARY ADJUST BY MOVING PINS TO ANOTHER SET OF HOLES.

827424

14

SAFETY WARNING

TO PREVENT UPSET OR LOSS OF CONTROL ON FLAT SURFACES OR SLOPES WHEN OPERATING WITHOUT A MOWER OR OTHER ATTACHMENT:

1. DRIVE AND TURN SLOWLY.
2. DO NOT USE TRACTION ASSIST PEDALS.
3. CAREFULLY USE BRAKE PEDAL FOR STOPPING.
4. DO NOT MOVE DIRECTION SPEED CONTROL PEDAL RAPIDLY.

827912

21

SAFETY WARNING

DO NOT LIFT GRASS CATCHER HOPPER UNLESS BLADES ARE STOPPED AND VEHICLE IS ON LEVEL SURFACE.

RAISED HOPPER DECREASES VEHICLE STABILITY.

INJURY COULD RESULT FROM THROWN OBJECTS OR VEHICLE UPSET.

827145

25

SAFETY WARNING

TO PREVENT POSSIBLE HEARING LOSS WEAR EAR PROTECTION IF THIS MACHINE IS OPERATED FOR PERIODS OF MORE THAN 4 HOURS.

821813

3

TO INSTALL BELT:

1. REMOVE BELT COVERS.
2. REMOVE SCREWS MOUNTING GEAR BOX SUPPORT.
3. DISCONNECT IDLER SPRING.
4. THREAD BELT AROUND PULLEYS AS ILLUSTRATED.
5. INSIDE BELT COVERS SHOULD BE KEPT CLEAN.
6. REPLACE SPRING AND BELT COVERS.

830200

30

DAILY CHECK

- ✓ ENGINE OIL LEVEL (USE API GRADE SE OR SF).
- ✓ AIR CLEANER, AIR FILTER SCREEN & INNER FOAM UNIT OF AIR FILTER. (CLEAN OUT ACCUMULATED DUST & CHAFF)
- ✓ ENGINE COOLING FINS. (INSPECT FOR OIL, DIRT OR TRASH ACCUMULATION. DIRTY FINS WILL RESULT IN SHORTENED ENGINE LIFE.)
- ✓ WARNING SYSTEM TEST BUTTON: PRESS TO CHECK WARNING HORN AND INDICATOR LAMP.

IF ENGINE OVERHEAT HORN SOUNDS OR LAMP LIGHTS:

1. DISENGAGE P.T.O.
2. STOP ENGINE.
3. CLEAN AIR CLEANER, AIR FILTER SCREEN & INNER FOAM UNIT OF AIR FILTER.
4. INSPECT COOLING FINS FOR OIL OR TRASH. CLEAN IF NECESSARY.
5. CHECK OIL LEVEL.

FAILURE TO (1) HEED EITHER THE WARNING HORN AND/OR WARNING LAMP, AND (2) MAINTAIN CLEAN COOLING FINS ON ENGINE AND THE COOLING AIR SYSTEM, WILL CAUSE PREMATURE ENGINE FAILURE.

THE INNER FOAM UNIT OF THE AIR FILTER SCREEN MUST BE IN PLACE AT ALL TIMES.

32

GRASS CATCHER HOPPER LIFT

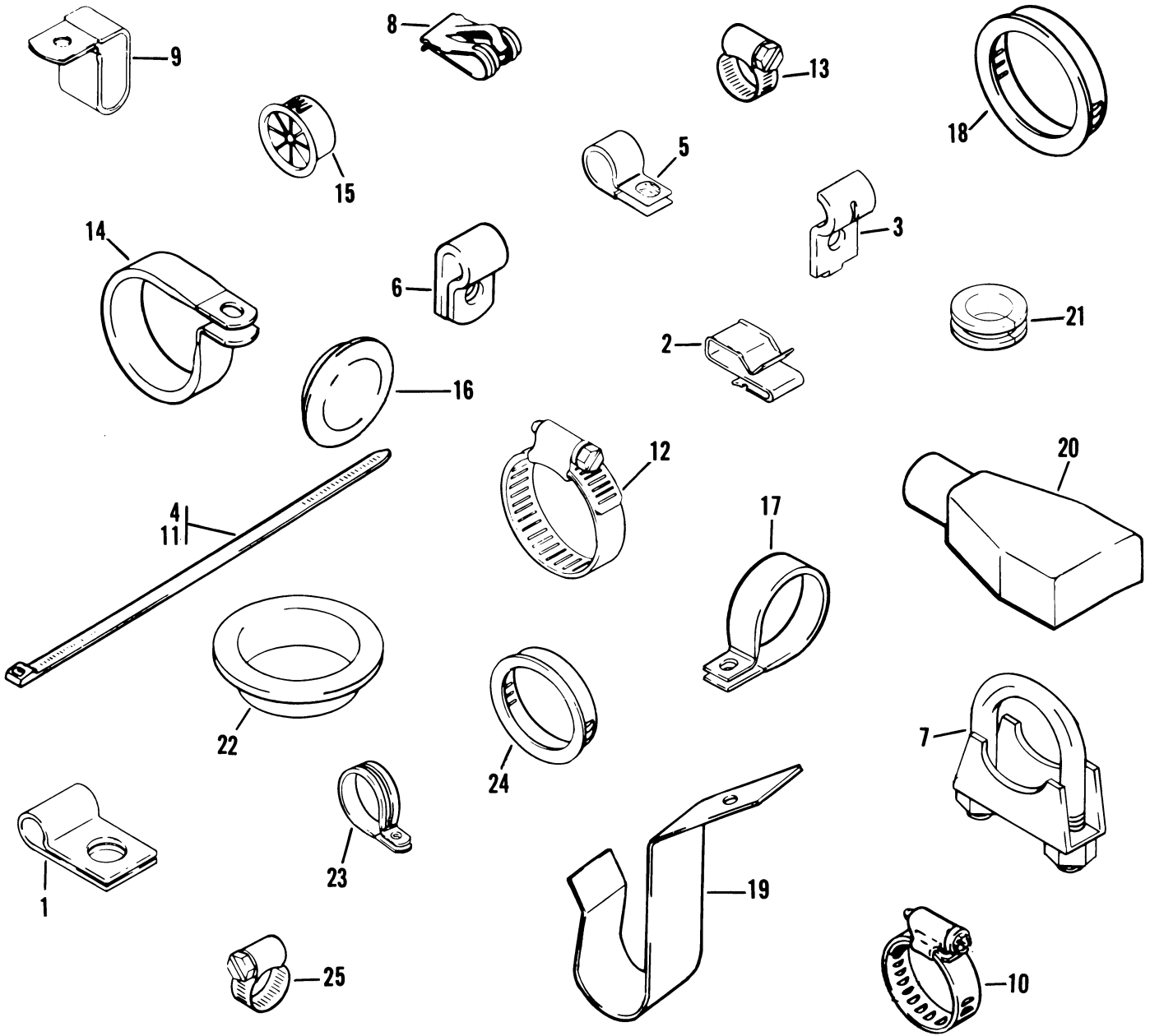
PULL UP TO RAISE
PUSH DOWN TO LOWER

CAUTION: MOWER DECK MUST BE DOWN BEFORE LIFTING OR LOWERING HOPPER. DAMAGE WILL RESULT IF THE HOPPER IS MOVED WITH THE MOWER DECK IN THE RAISED POSITION

24

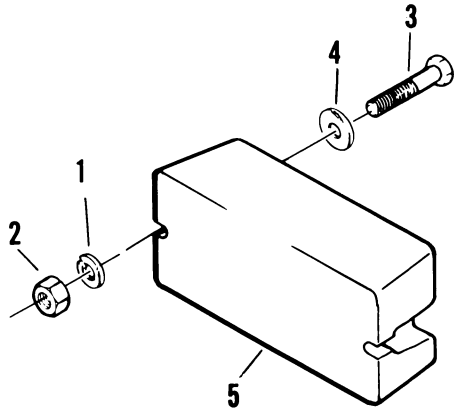
DECALS

Ref. No.	Part No.	Description	No. Req'd	Ref. No.	Part No.	Description	No. Req'd
1	521720	Decal, safety warning	3	21	827912	Decal, safety warning	1
2	521721	Decal, caution	1	22	828464	Label, R.O.P.S.	1
3	521813	Decal, safety warning	1	23	829145	Decal, tie down	2
4	816991	Decal, alternator-battery warning	1	24	829266	Decal, hopper lift	1
5	823682	Decal, air cleaner	1	25	829345	Decal, safety warning	1
6	826450	Decal, strip 76" (1.9M) .. AsReq'd.		26	829417	Decal, air filter	1
7	827164	Decal, differential rotation	1	27	829625	Decal, CUSHMAN Front Line	1
8	827253	Decal, safety warning	1	28	829950	Decal, safety warning	1
9	827358	Decal, dash	1	29	829960	Decal, GRASS CADDY	1
10	827359	Decal, key switch	1	30	830200	Decal, belt locating	1
11	827360	Decal, throttle and P.T.O.	1	31	830274	Decal, oil fill	1
12	827363	Decal, accessory lift	1	32	830276	Decal, Daily Check	1
13	827422	Decal, safety warning	1	33	830347	Decal, engine oil temperature warning	1
14	827424	Decal, height adjustment	1	34	830397	Decal, belt locating	2
15	827425	Decal, belt locating	1	35	830910	Decal, timing mark	1
16	827430	Decal, safety warning deck lift	1	36	830949	Decal, operator warning	1
17	827760	Decal, direction-speed	1	37	831678	Decal, air cleaner	1
18	827761	Decal, brake	1	38	832115	Decal, CUSHMAN	2
19	827762	Decal, traction assist	1				
20	827763	Decal, park	1				



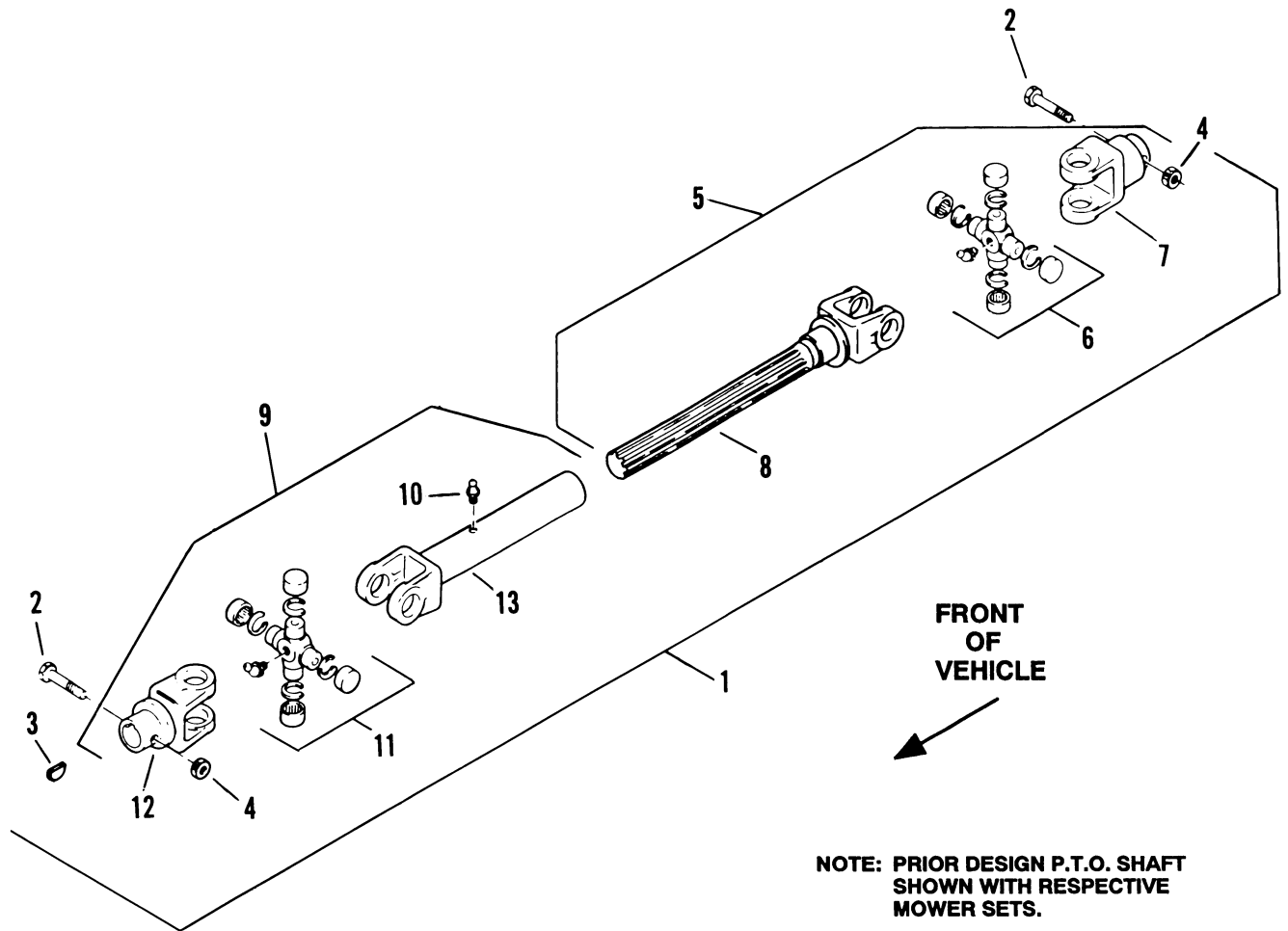
BUSHINGS, CLIPS, CLAMPS, COVER, DRIVE SHAFT HANGER, TIES

Ref. No.	Part No.	Description	No. Req'd	Ref. No.	Part No.	Description	No. Req'd
1	111886	Clip, H.T. lead, short	1	14	825884	Clamp, filter	1
2	111887	Clip, H.T. lead, long	1	15	825917	Bushing	1
3	111898	Clamp, cable	1	16	825922	Plug, dash	1
4	320107	Tie, wire 7" (178 mm)	7	17	826457	Clamp, air cleaner tube	1
5	809092	Clamp, hydraulic hose	2	18	826642	Bushing	1
6	809121	Clamp, cable	1	19	827485	Hanger, drive shaft	1
7	813688	Clamp, exhaust tube	4	20	827492	Cover, terminal	1
8	813840	Clip, cable	2	21	827797	Grommet, oil cooler to air box	2
9	817320	Clamp, hydraulic line	1	22	828518	Plug, hole	1
10	820889	Clamp, oil fill hose	2	23	830203	Clamp, oil cooler to air box	1
11	823549	Tie, wire 14" (356 mm)	1	24	830349	Bushing, snap; hose through frame	2
12	825358	Clamp, hose	6	25	832033	Clamp, oil cooler hose	6
13	825624	Clamp, fuel hose	13				



REAR WEIGHT

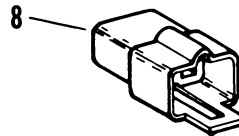
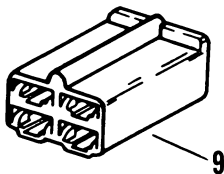
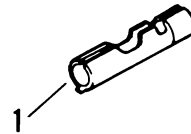
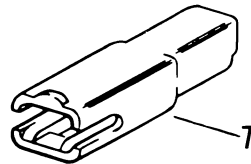
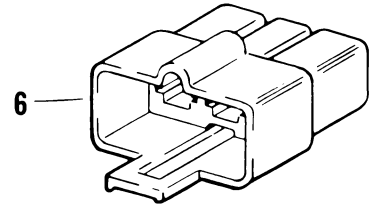
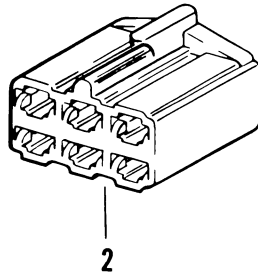
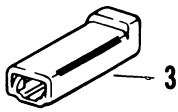
Ref. No.	Part No.	Description	No. Req'd	Ref. No.	Part No.	Description	No. Req'd
1	120177	Lockwasher, 3/8	2	4	821702	Washer	2
2	548804	Nut, 3/8-16 x 1 3/4	2	5	829611	Weight, counter	1
3	551094	Screw, 3/8-16 x 1 3/4	2				



**P.T.O. SHAFT
8710 AND LATER**

Ref. No.	Part No.	Description	No. Req'd	Ref. No.	Part No.	Description	No. Req'd
1	887788	Shaft, P.T.O. , complete	1	8	887724	••Yoke and shaft	1
2	306424	•Screw, 5/16-18 x 2	2	9	887728	•Shaft, P.T.O. (front half)	1
3	307662	•Key, #15 woodruff	2	10	807439	••Fitting, lubrication	1
4	800290	•Nut, 5/16-18 lock	2	11	826284	••Kit, drive shaft repair	1
5	887726	•Shaft, P.T.O., (rear half)	1	12	827153	••Yoke, drive shaft	1
6	826284	••Kit, drive shaft repair	1	13	887727	••Yoke and shaft	1
7	827152	••Yoke, drive shaft	1				

•INDENTED PART NAMES INDICATE THESE PARTS ARE INCLUDED IN PRECEDING ASSEMBLY.

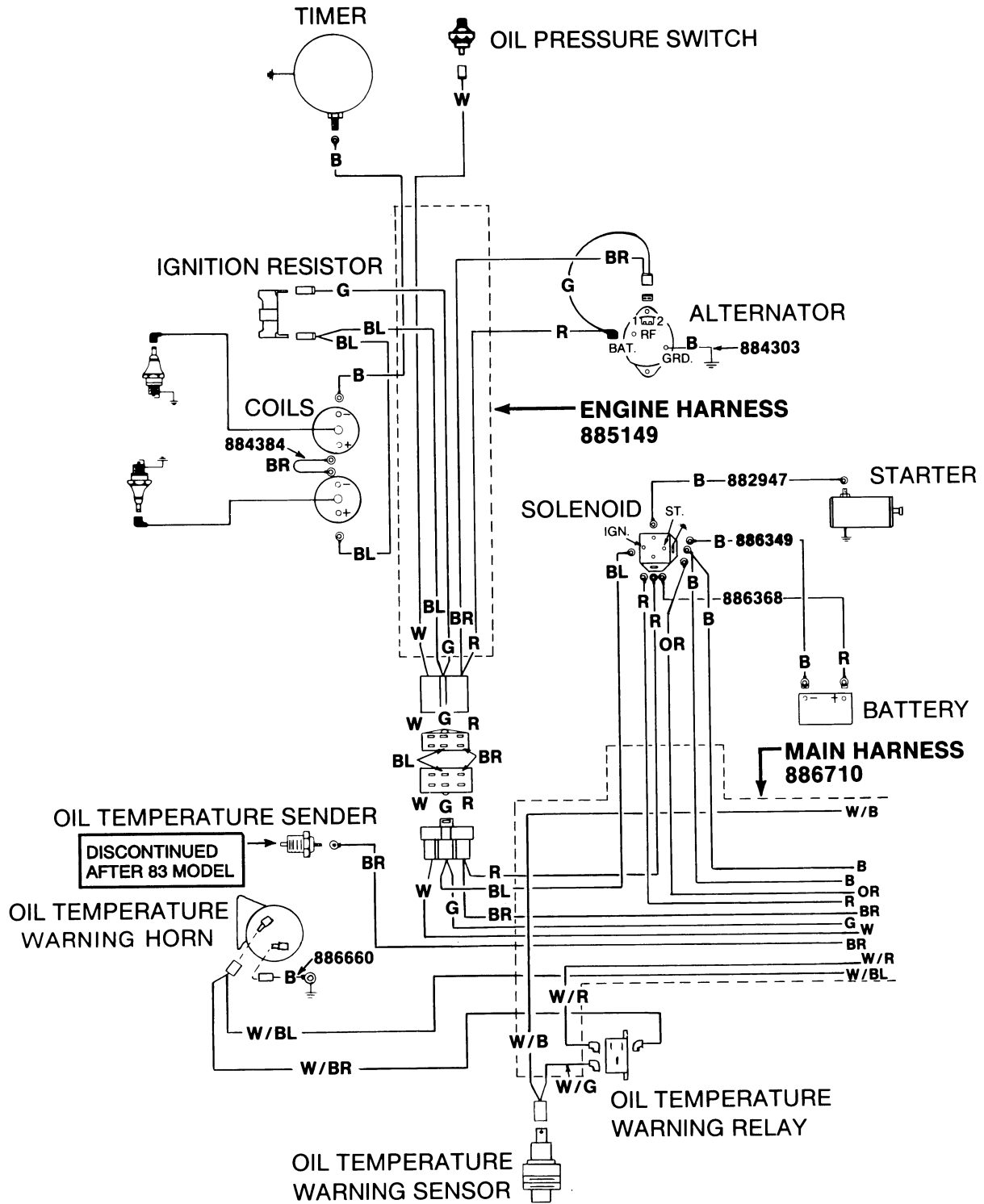


CONVOLUTED TUBING, CONNECTORS AND TERMINALS

Ref. No.	Part No.	Description	No. Req'd	Ref. No.	Part No.	Description	No. Req'd
1	807048	Terminal, receptacle . . .	As Req'd.	*	826191	Tubing, convoluted .500 I.D.	
2	825877	Connector, six contact . . .	As Req'd.		25' (7.6M) length	As Req'd.	
3	825880	Connector, single contact	As Req'd.	*	826192	Tubing, convoluted .750 I.D.	
4	825886	Terminal, male (single wire)	As Req'd.		25' (7.6M) length	As Req'd.	
5	825961	Terminal, male (double wire)	As Req'd.	7	826726	Connector, contact	As Req'd.
6	825973	Connector, six contact . . .	As Req'd.	8	829630	Connector, four contact (male)	As Req'd.
*	826190	Tubing, convoluted .350 I.D.		9	829631	Connector, four way	As Req'd.
		50' (15.2M) length	As Req'd.				

* Not illustrated.

**WIRING DIAGRAM
8410 AND PRIOR**

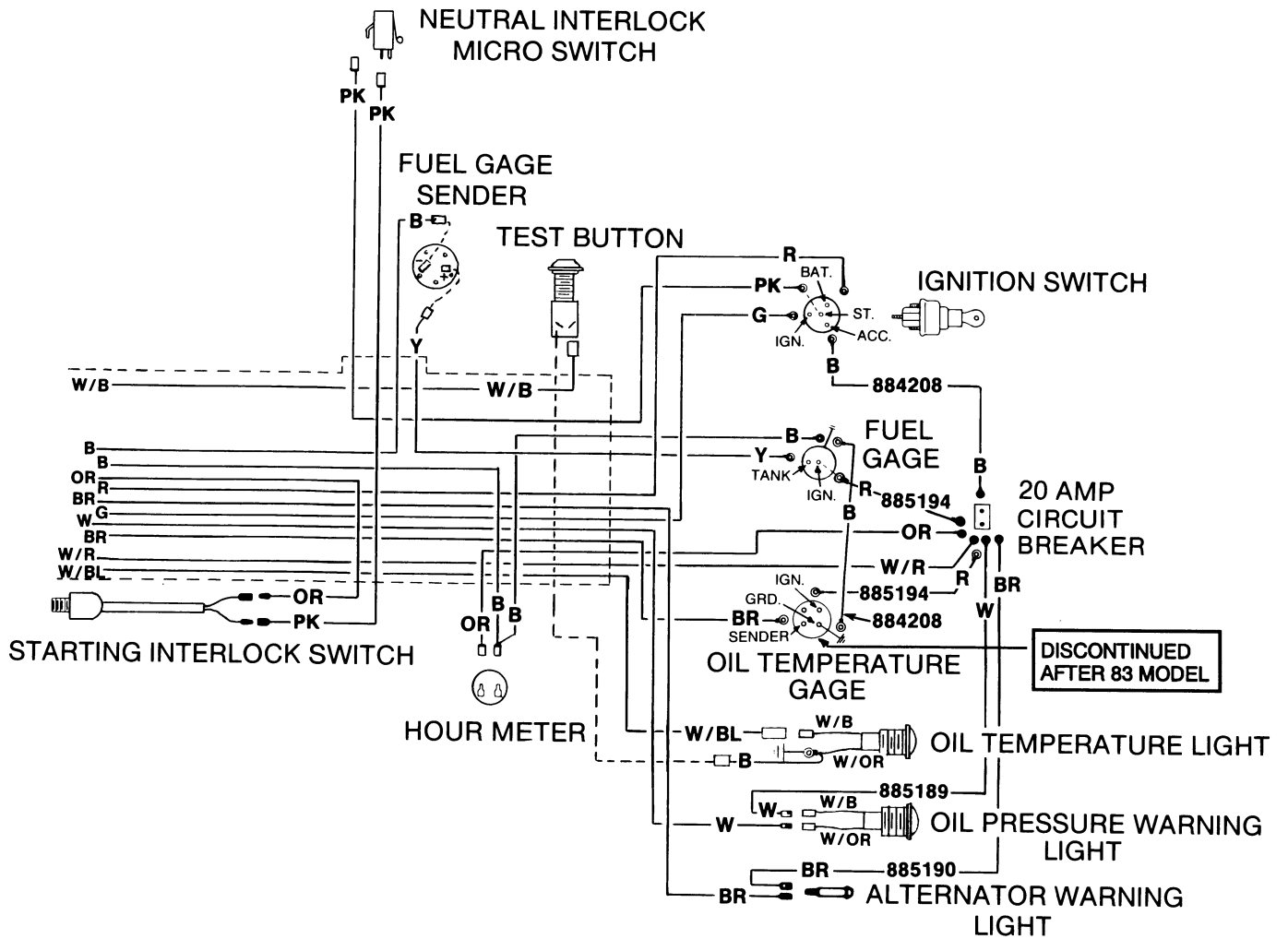


Convolved Tubing and Connectors See Page 105.

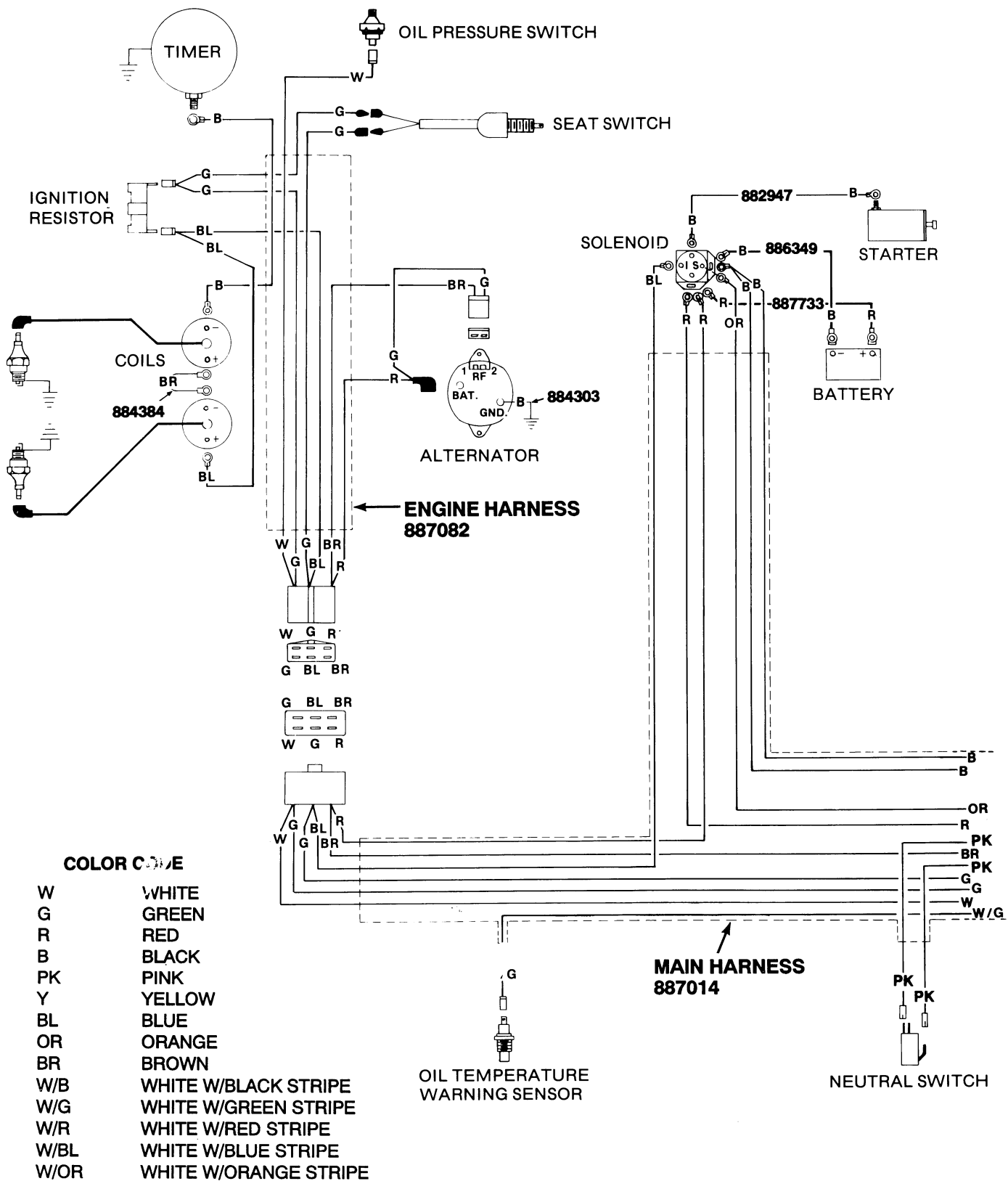
**WIRING DIAGRAM
8410 AND PRIOR**

COLOR CODE

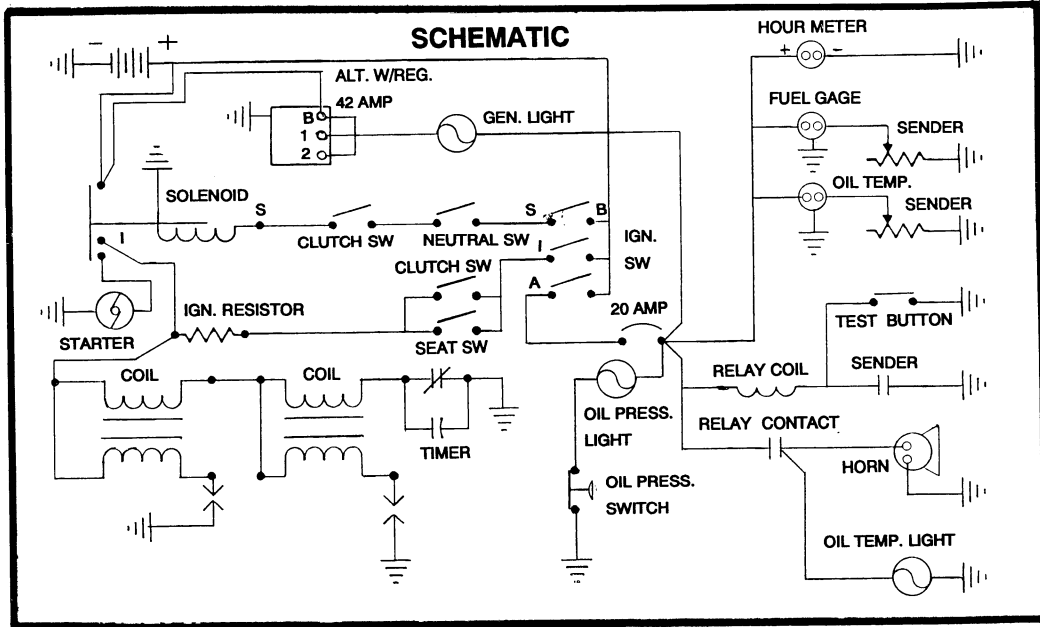
W	WHITE
G	GREEN
R	RED
B	BLACK
PK	PINK
Y	YELLOW
BL	BLUE
OR	ORANGE
BR	BROWN
W/B	WHITE W/BLACK STRIPE
W/G	WHITE W/GREEN STRIPE
W/R	WHITE W/RED STRIPE
W/BL	WHITE W/BLUE STRIPE
W/OR	WHITE W/ORANGE STRIPE
W/BR	WHITE W/BROWN STRIPE



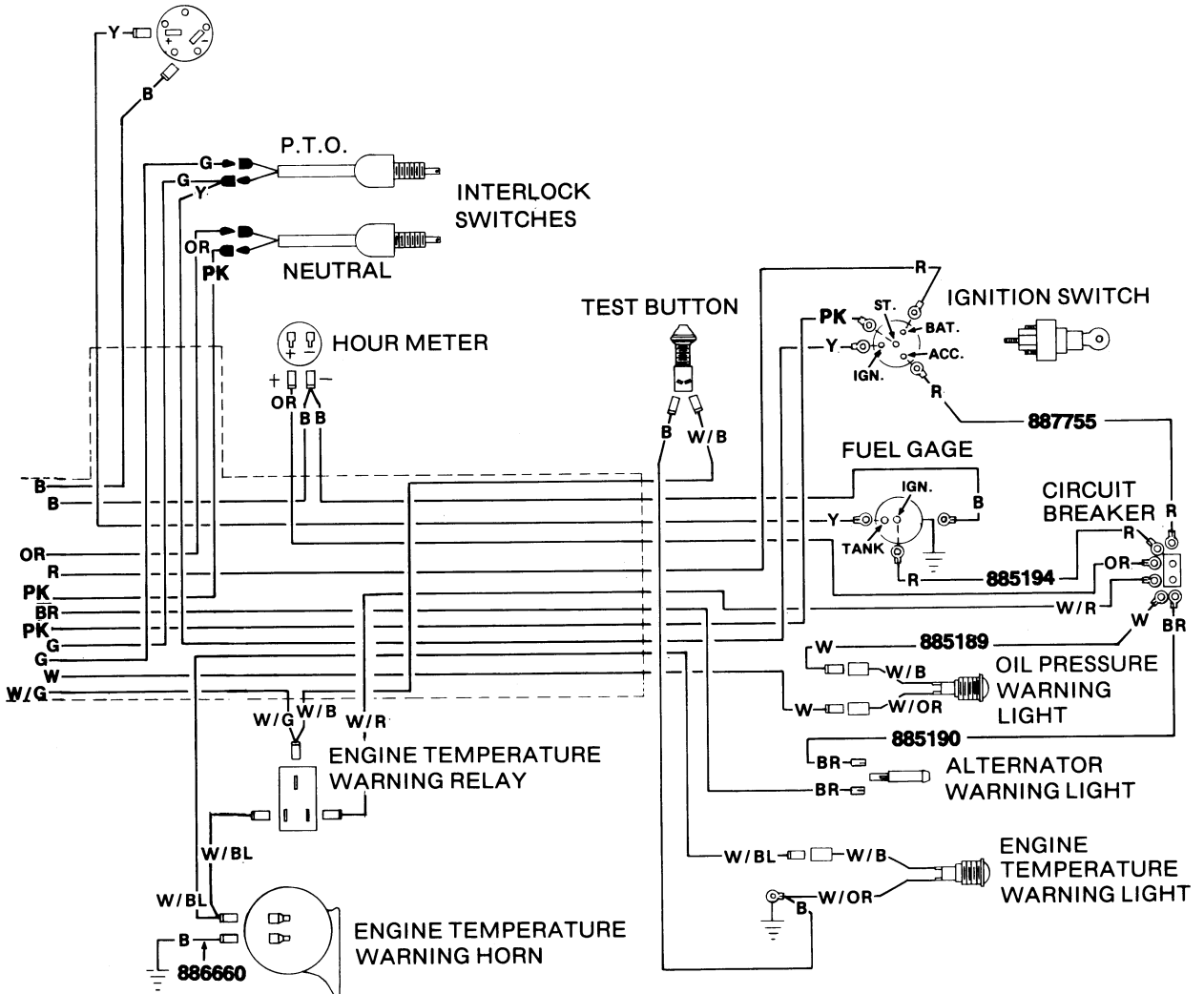
WIRING DIAGRAM 8510 AND LATER



WIRING DIAGRAM 8510 AND LATER



FUEL GAGE SENDER



Convulated Tubing and Connectors See Page 105.

RANSOMES



Cushman Inc. • A Ransomes Company
P.O. Box 82409, Lincoln, Nebraska 68501-9971