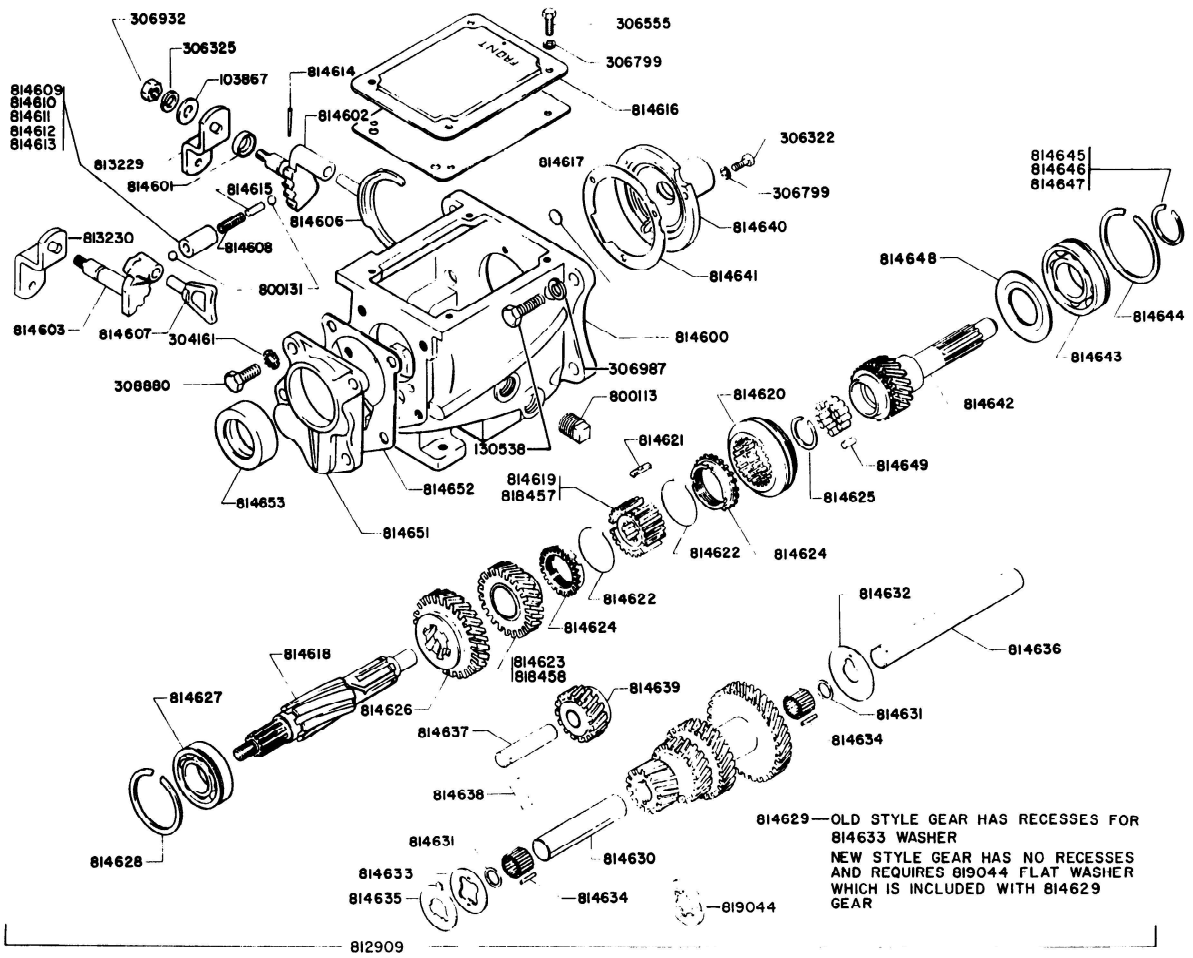


TRANSMISSION PART NO 812909



TRANSMISSION PART NO 812909

#	PART #	DESCRIPTION	QTY	NOTE
814651	814651	Retainer, bearing	1	
103867	103867	Flat Washer, 5/16	2	
130538	130538	SCREW, .44-14 1.25 YS HX G5	4	
304161	304161	WASHER, LOCK	4	
306322	306322	Screw, 5/16-18 x 7/8 in. Hex Head	3	
306325	306325	Lockwasher, 5/16	2	
306555	306555	Screw, 5/16-18 x 5/8 in. Hex Head	4	
306799	306799	Lockwasher, 5/16 External Tooth	7	
306932	306932	Nut, 5/16-18 Hex	2	
306987	306987		4	
308880	308880	Screw 7/16-14 x 7/8 hex. hd.	4	
800113	800113	Plug, 1/2 NPT	2	
800131	800131	BALL,,312 DIA CARBON STEEL	2	
812909	812909		1	
813229	813229		1	
813230	813230		1	
814600	814600		1	
814601	814601	Oil Seal, shifter shaft	2	
814602	814602		1	
814603	814603		1	
814606	814606		1	
814607	814607		1	
814608	814608		1	
814609	814609	Sleeve, 1.299 long	1	
814610	814610	Sleeve, 1.295 long	1	
814611	814611	Sleeve, 1.291 long	1	
814612	814612	Sleeve, 1.287 long	1	
814613	814613	Sleeve, 1.303 long	1	
814614	814614		2	
814615	814615		1	
814616	814616		1	
814617	814617		1	
814618	814618		1	
814619	814619		1	
814620	814620		1	
814621	814621		3	
814622	814622	Spring, synchronizer	2	
814623	814623		1	
814624	814624		2	
814625	814625		1	
814626	814626		1	
814627	814627	BRG,BALL 1.18 2.44.63 "SR"	1	
814628	814628	Ring, retaining	1	
814629	814629		1	
814630	814630		1	
814631	814631		2	

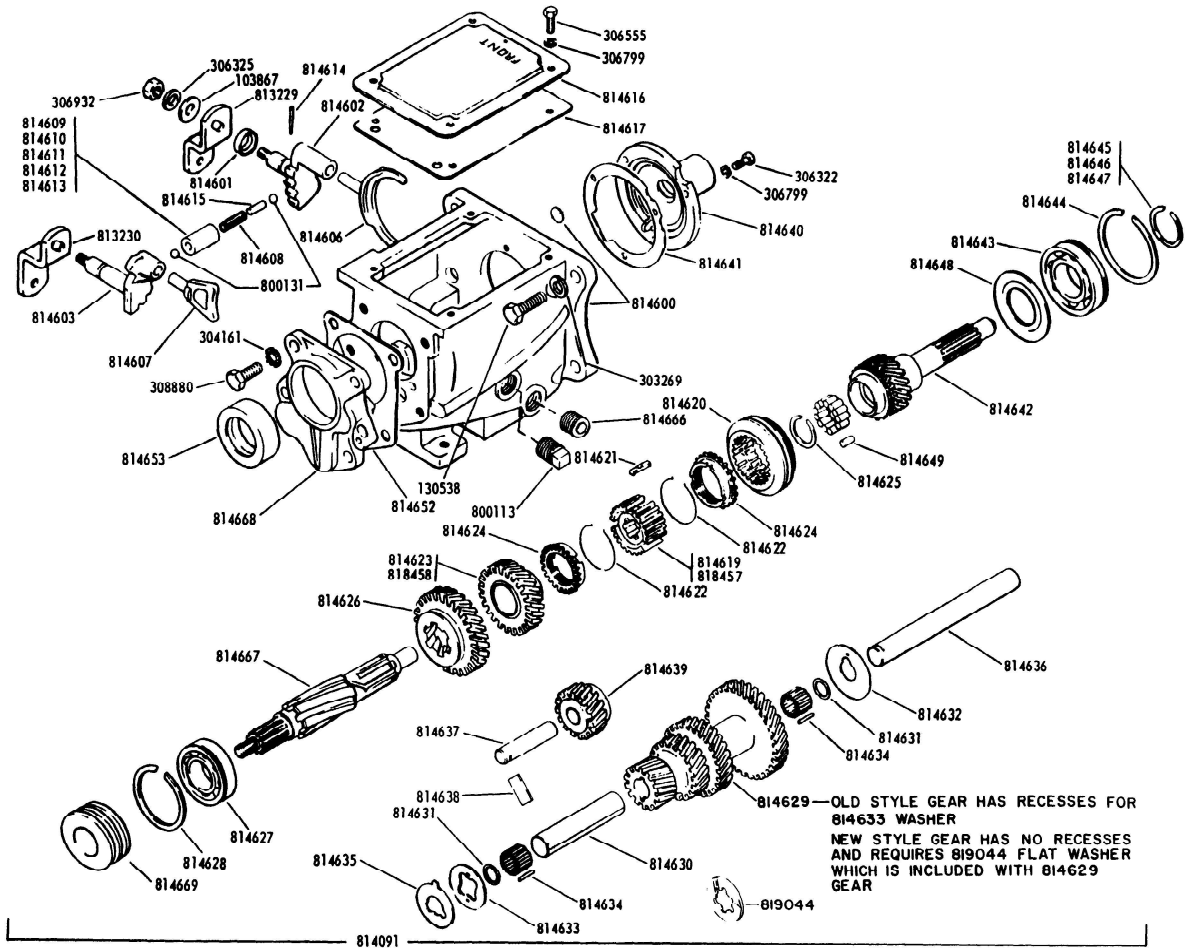
TRANSMISSION PART NO 812909

TRANSMISSION PART NO 812909

#	PART #	DESCRIPTION	QTY	NOTE
814632	814632		1	
814633	814633		1	
814634	814634		40	
814635	814635		1	
814636	814636		1	
814637	814637		1	
814638	814638		1	
814639	814639		1	
814640	814640		1	
814641	814641		1	
814642	814642		1	
814643	814643		1	
814644	814644		1	
814645	814645		1	
814646	814646		1	
814647	814647		1	
814648	814648		1	
814649	814649		13	
814652	814652		1	
814653	814653		1	
818457	818457		1	
818458	818458		1	
819044	819044		1	

TRANSMISSION PART NO 812909

TRANSMISSION PART NO. 814091



TRANSMISSION PART NO. 814091

TRANSMISSION PART NO. 814091

#	PART #	DESCRIPTION	QTY	NOTE
103867	103867	Flat Washer, 5/16	2	
130538	130538	SCREW, .44-14 1.25 YS HX G5	4	
303269	303269	Lockwasher, 7/16	4	
304161	304161	WASHER, LOCK	4	
306322	306322	Screw, 5/16-18 x 7/8 in. Hex Head	3	
306325	306325	Lockwasher, 5/16	2	
306555	306555	Screw, 5/16-18 x 5/8 in. Hex Head	4	
306799	306799	Lockwasher, 5/16 External Tooth	7	
306932	306932	Nut, 5/16-18 Hex	2	
308880	308880	Screw 7/16-14 x 7/8 hex. hd.	4	
800113	800113	Plug, 1/2 NPT	2	
800131	800131	BALL,,.312 DIA CARBON STEEL	2	
813229	813229		1	
813230	813230		1	
814091	814091	Transmission complete	1	
814600	814600		1	
814601	814601	Oil Seal, shifter shaft	2	
814602	814602		1	
814603	814603		1	
814606	814606		1	
814607	814607		1	
814608	814608		1	
814609	814609	Sleeve, 1.299 long	1	
814610	814610	Sleeve, 1.295 long	1	
814611	814611	Sleeve, 1.291 long	1	
814612	814612	Sleeve, 1.287 long	1	
814613	814613	Sleeve, 1.303 long	1	
814614	814614		2	
814615	814615		1	
814616	814616		1	
814617	814617		1	
814619	814619		1	
814620	814620		1	
814621	814621		1	
814622	814622	Spring, synchronizer	2	
814623	814623		1	
814624	814624		2	
814625	814625		1	
814626	814626		1	
814627	814627	BRG,BALL 1.18 2.44.63 "SR"	1	
814628	814628	Ring, retaining	1	
814629	814629		1	
814630	814630		1	
814631	814631		2	
814632	814632		1	
814633	814633		1	

TRANSMISSION PART NO. 814091

TRANSMISSION PART NO. 814091

#	PART #	DESCRIPTION	QTY	NOTE
814634	814634		40	
814635	814635		1	
814636	814636		1	
814637	814637		1	
814638	814638		1	
814639	814639		1	
814640	814640		1	
814641	814641		1	
814642	814642		1	
814643	814643		1	
814644	814644		1	
814645	814645		1	
814646	814646		1	
814647	814647		1	
814648	814648		1	
814649	814649		13	
814652	814652		1	
814653	814653		1	
814666	814666	Plug, drain, slotted, magnetic	1	
814667	814667	Mainshaft	1	
814668	814668	Retainer, bearing	1	
814669	814669	Gear speedometer, drive	1	
818457	818457		1	
818458	818458		1	
819044	819044		1	

TRANSMISSION PART NO. 814091